



US00D399781S

# United States Patent [19] Ray

[11] **Patent Number: Des. 399,781**

[45] **Date of Patent: \*\*Oct. 20, 1998**

[54] **FLORAL DISPLAY HOLDER**

D. 272,329 1/1984 Clemmons, Jr. .... D11/147

[75] Inventor: **James E. Ray**, Brantford, Canada

*Primary Examiner*—Caron D. Veynar  
*Attorney, Agent, or Firm*—R. Craig Armstrong

[73] Assignee: **Floral Ever Fresh Products Inc.**,  
Brantford, Canada

[\*\*] Term: **14 Years**

[57] **CLAIM**

The ornamental design for a floral display holder, as shown.

[21] Appl. No.: **75,267**

**DESCRIPTION**

[22] Filed: **Aug. 29, 1997**

FIG. 1 is a perspective view of the floral display holder showing my new design, from above;

[51] **LOC (6) Cl.** ..... **11-02**

FIG. 2 is a front view;

[52] **U.S. Cl.** ..... **D11/143; D11/164**

FIG. 3 is a left side view;

[58] **Field of Search** ..... D11/143-156,  
D11/164; D6/403-405, 556; 47/39, 40,  
65, 65.5, 65.7, 67, 68, 71, 72, 41.01, 41.13,  
41.15; 206/423, 557, 564; 248/27.8

FIG. 4 is a bottom view;

FIG. 5 is a right side view;

FIG. 6 is a rear view; and,

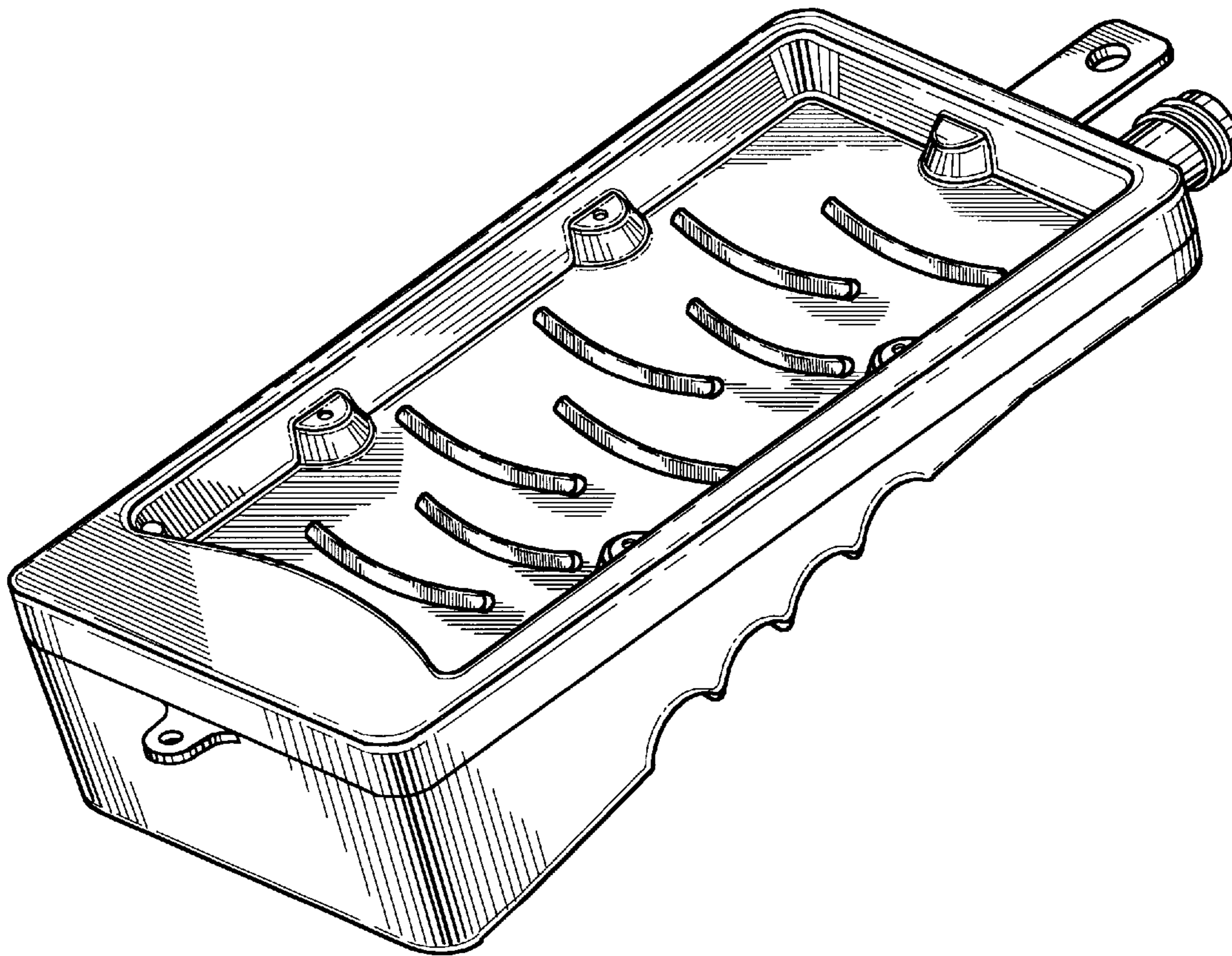
FIG. 7 is a top view.

[56] **References Cited**

**U.S. PATENT DOCUMENTS**

D. 250,402 11/1978 Connell et al. .... D11/156

**1 Claim, 3 Drawing Sheets**



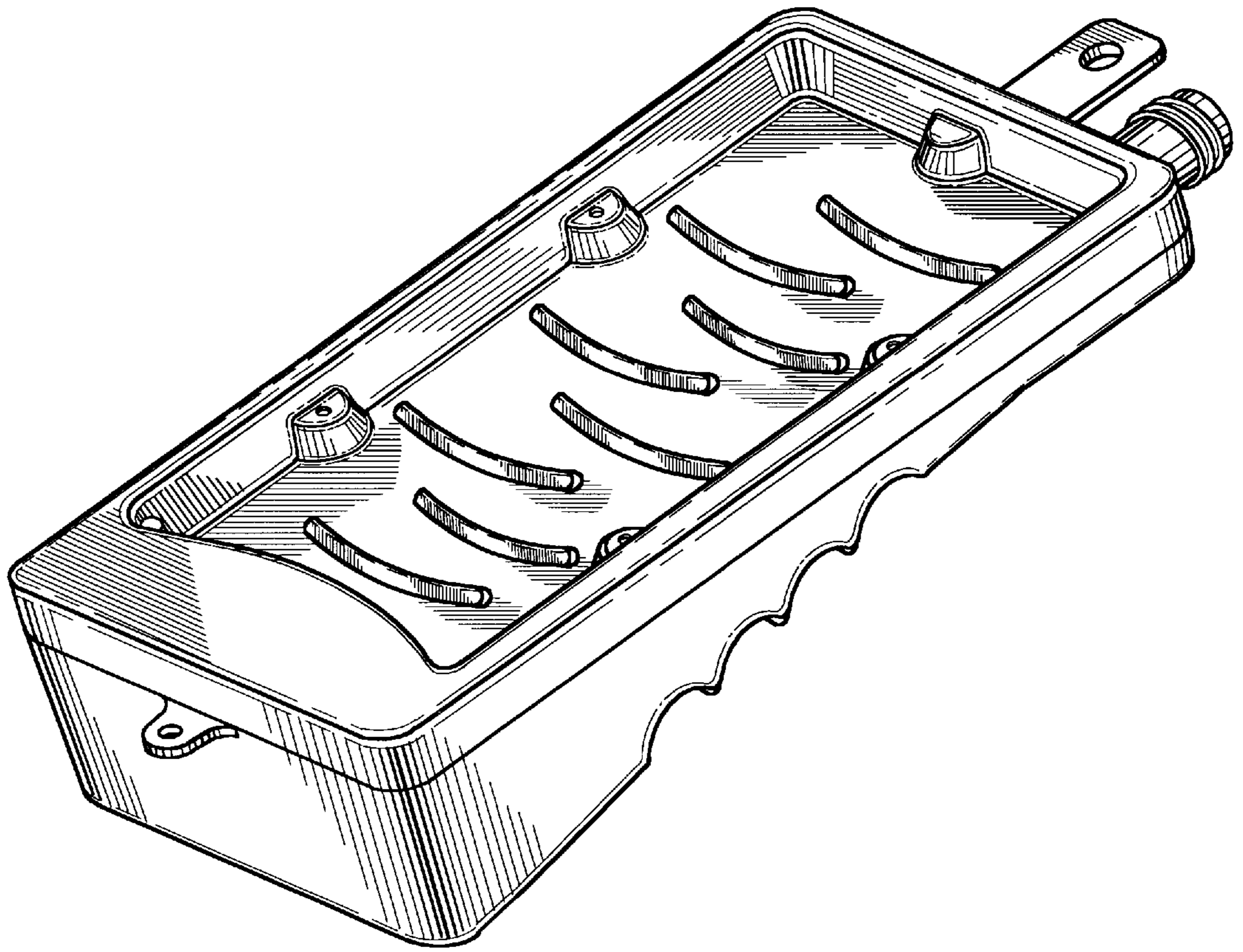


FIG.1

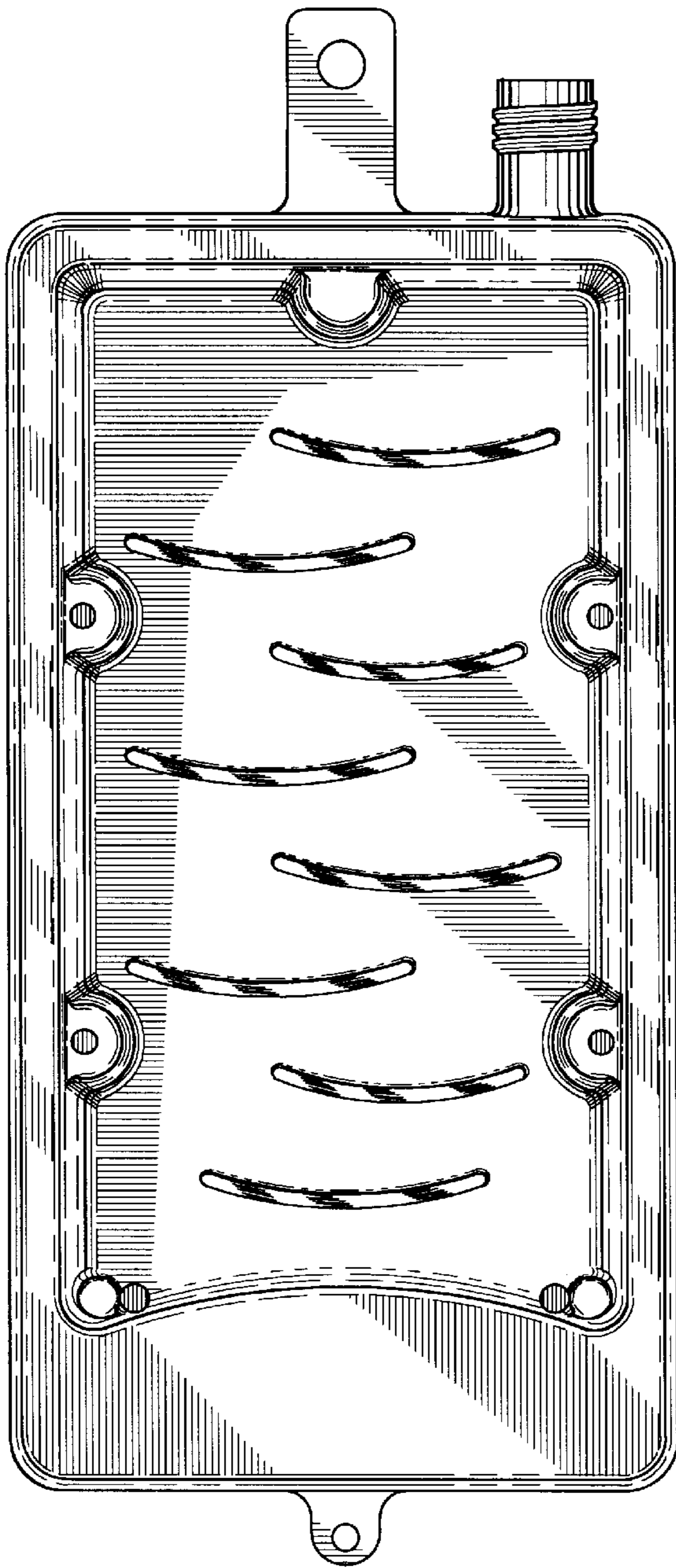


FIG. 2

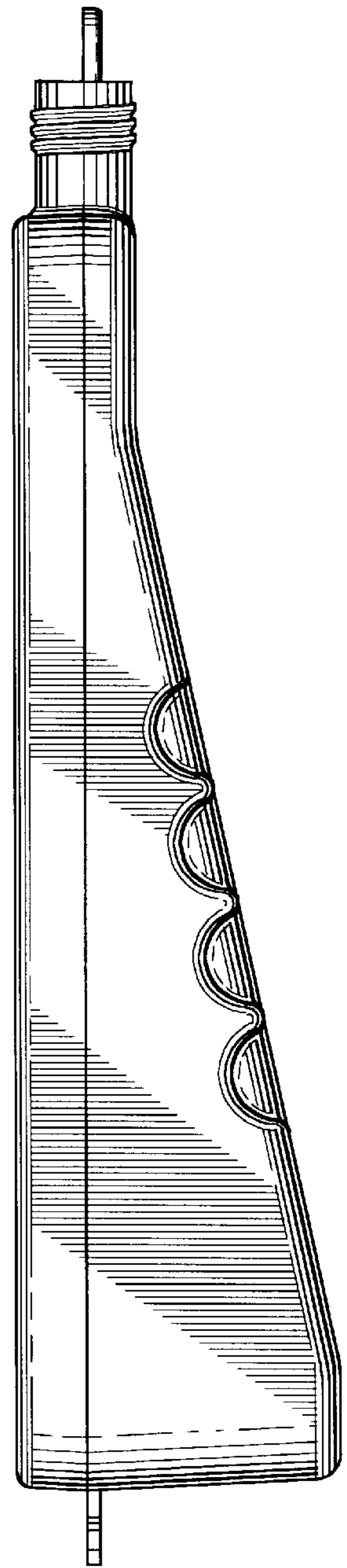


FIG. 3

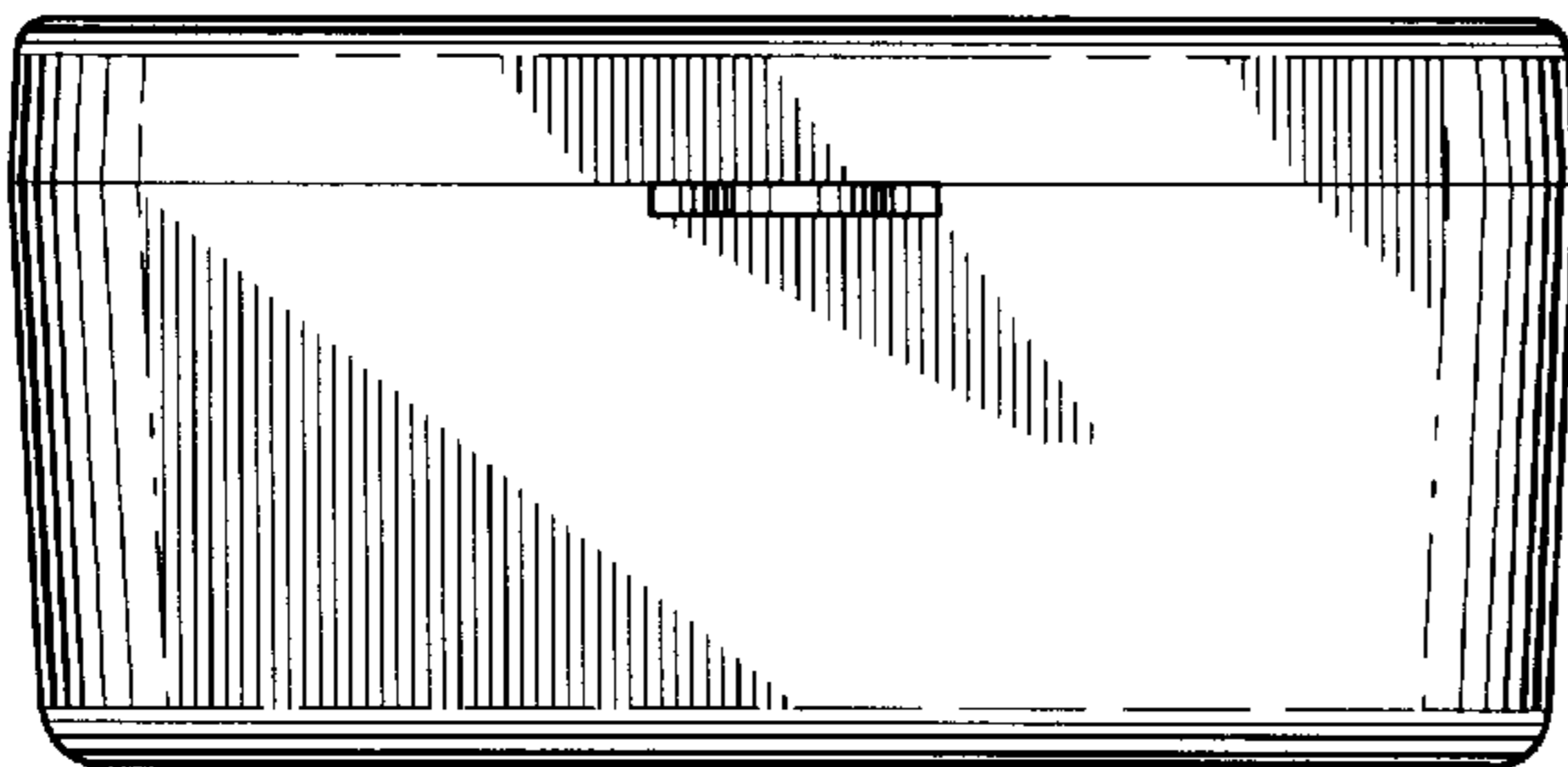


FIG. 4



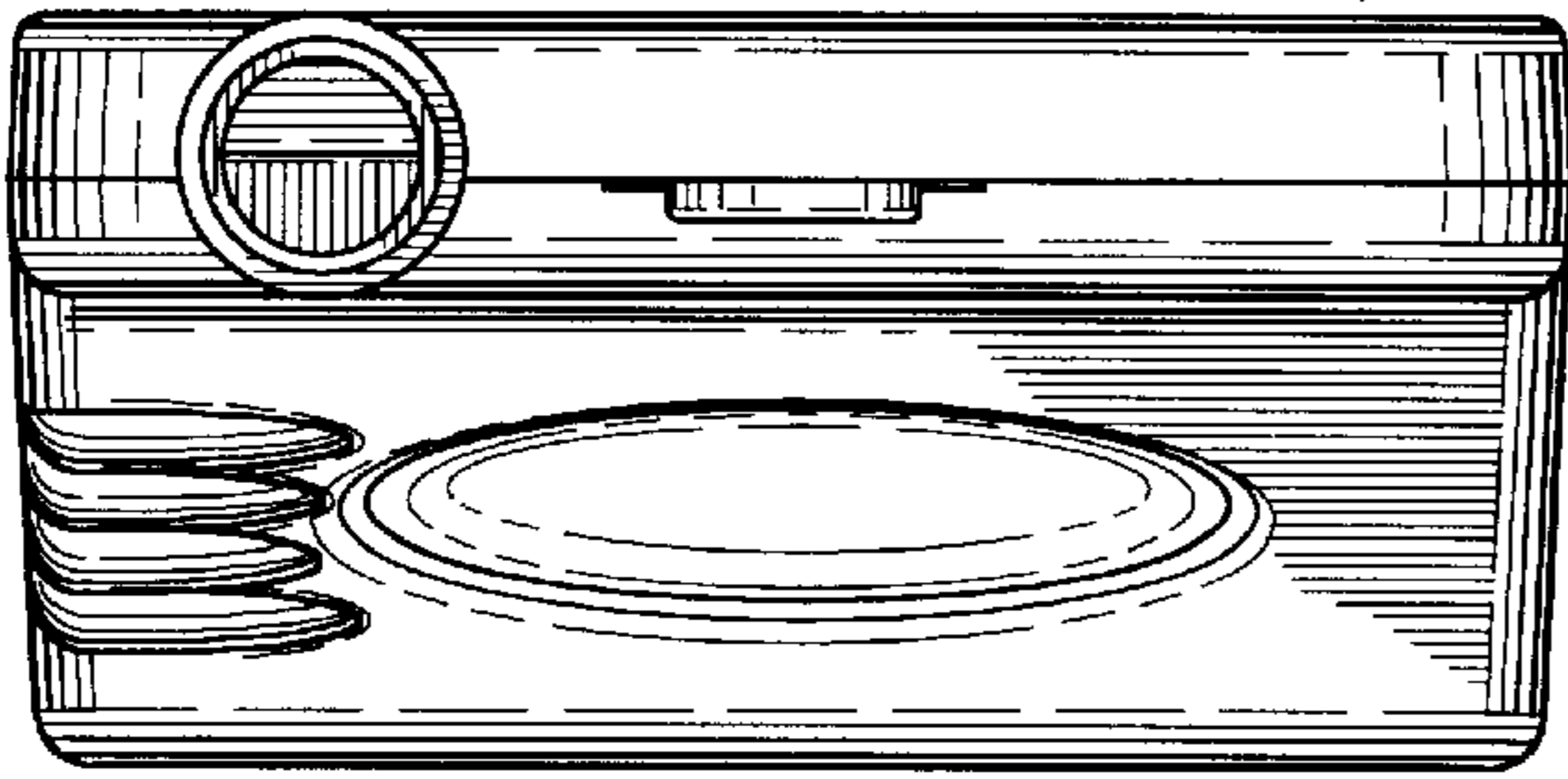


FIG. 7

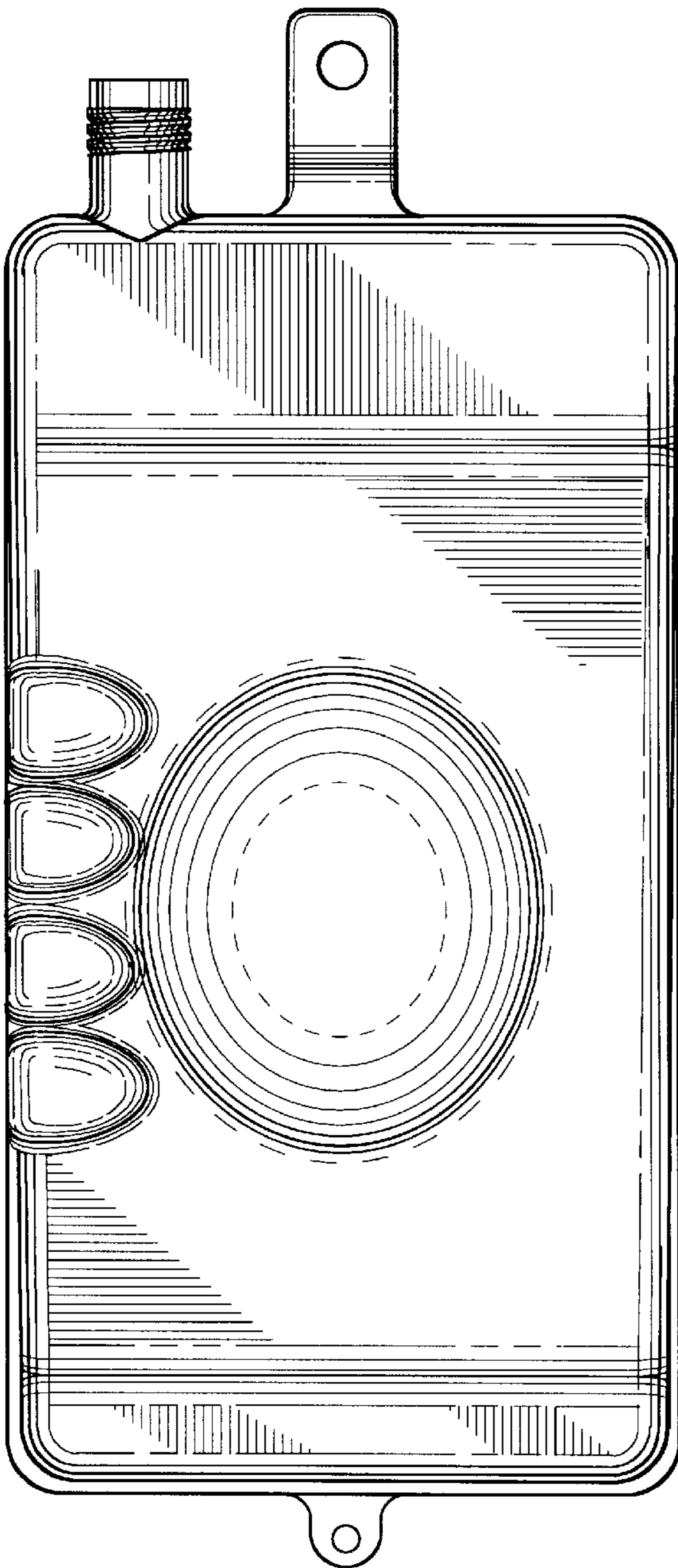


FIG. 6

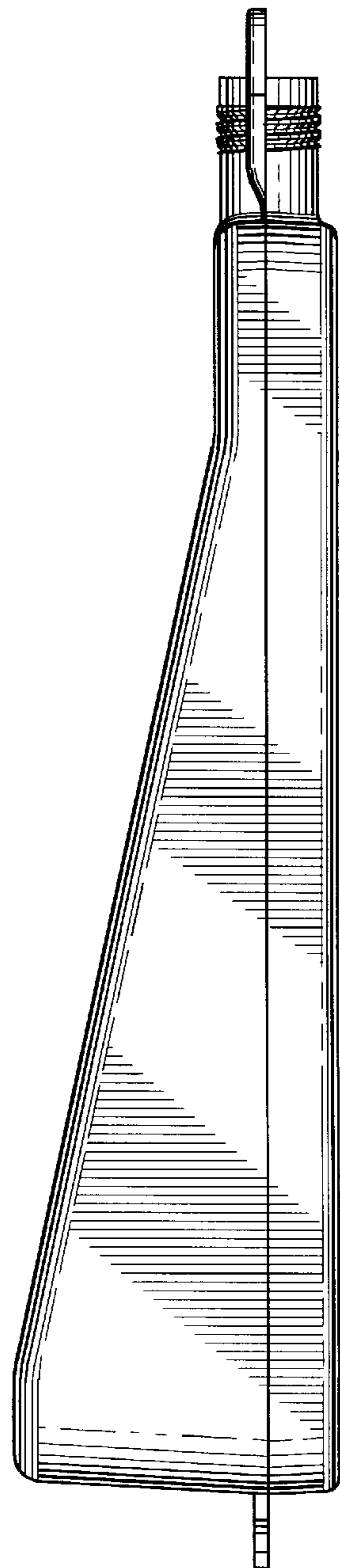


FIG. 5