



US00D399777S

United States Patent [19] Coquerel

[11] **Patent Number: Des. 399,777**

[45] **Date of Patent: **Oct. 20, 1998**

[54] **BRACELET FOR WATCH**

[75] Inventor: **Olivier C. Coquerel**, Paris, France

[73] Assignee: **S. T. Dupont S.A.**, Paris, France

[**] Term: **14 Years**

[21] Appl. No.: **77,433**

[22] Filed: **Sep. 29, 1997**

[30] **Foreign Application Priority Data**

Apr. 3, 1997 [FR] France 971971

[51] **LOC (6) Cl.** **11-01**

[52] **U.S. Cl.** **D11/25**

[58] **Field of Search** D11/1-25, 93,
D11/94; 63/1.1, 2, 3, 4, 5.1, 7, 9, 10; D10/30-34;
59/78, 82

[56] **References Cited**

U.S. PATENT DOCUMENTS

D. 74,581 2/1928 Stern D11/25

D. 300,412	3/1989	Guan	D11/12
D. 301,015	5/1989	Nakai	D10/32
D. 317,264	6/1991	Fong	D10/32
D. 357,431	4/1995	Burgener	D11/25
2,953,897	9/1960	Pfisterer, Jr.	59/82

Primary Examiner—Ralf Seifert

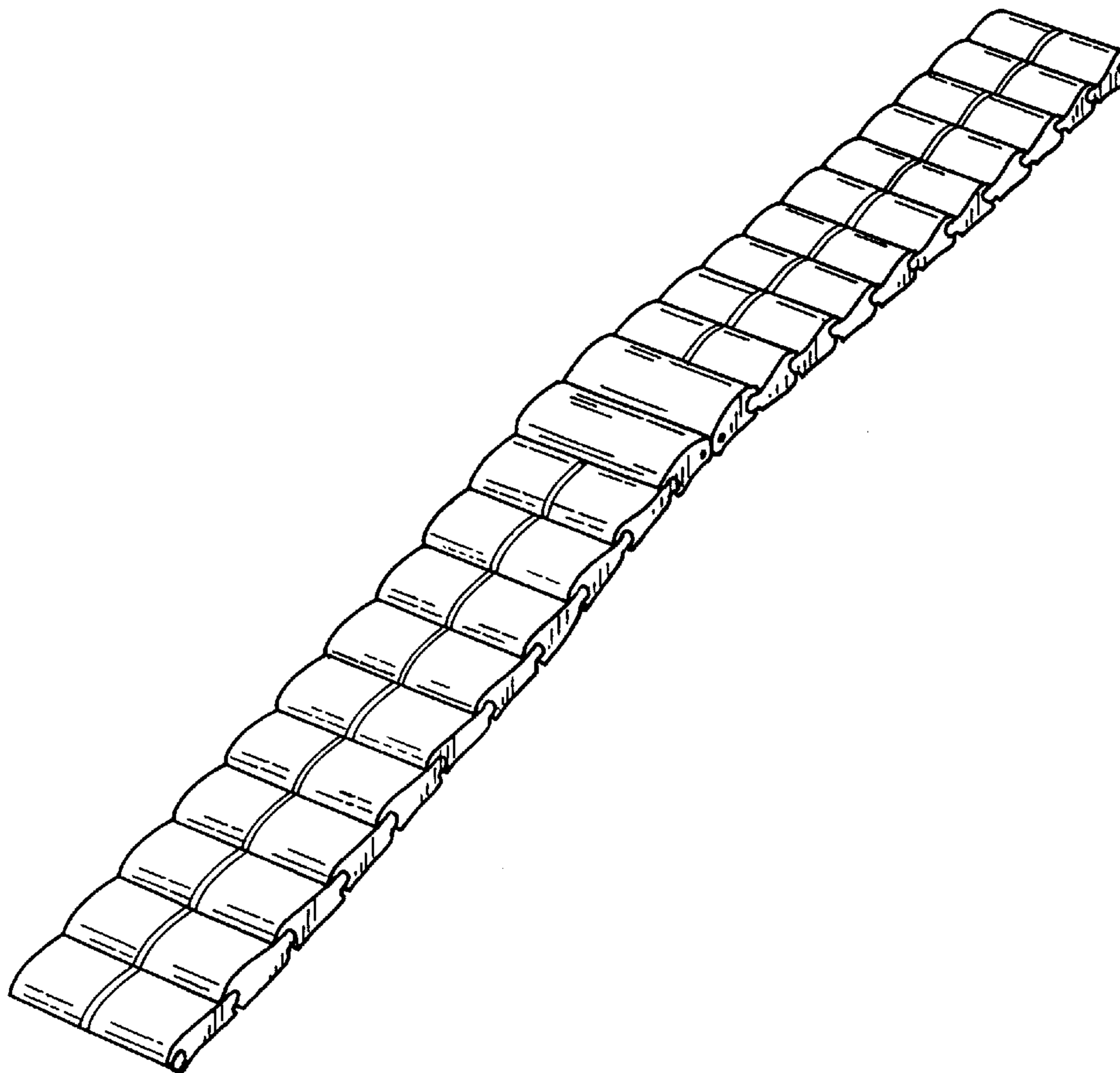
[57] **CLAIM**

I claim the ornamental design for a bracelet for watch, as shown.

DESCRIPTION

FIG. 1 is a front view of the bracelet;
FIG. 2 is a side view thereof; and,
FIG. 3 is a perspective view thereof.

1 Claim, 2 Drawing Sheets



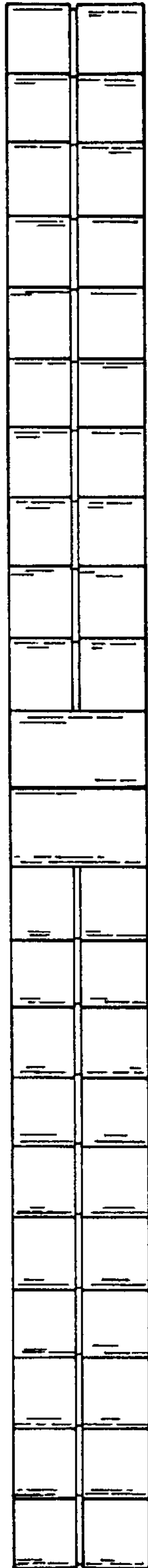


FIG. 1

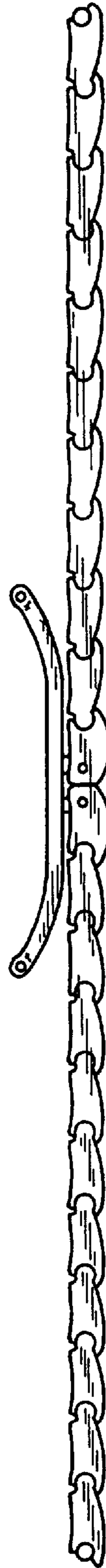


FIG. 2

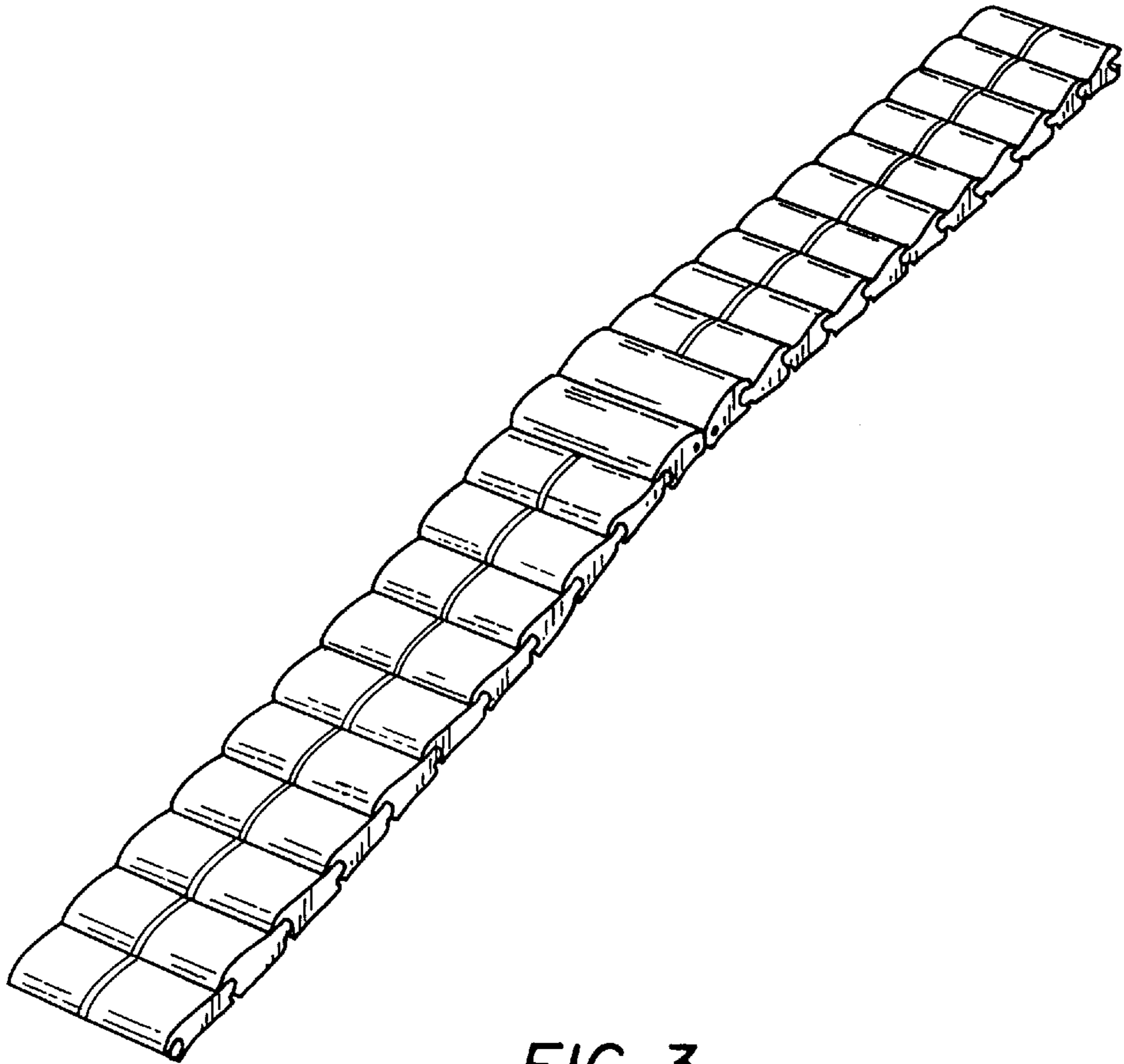


FIG. 3