



US00D399775S

# United States Patent [19]

Masuda et al.

[11] Patent Number: **Des. 399,775**

[45] Date of Patent: **\*\*Oct. 20, 1998**

[54] **PRESSURE SENSOR**

5,581,023 12/1996 Handfield et al. .... 73/731 X

[75] Inventors: **Fumikazu Masuda; Shunichiro Awa; Isamu Ikeda; Yoshihito Omura; Koichi Kondo; Hideo Sawada**, all of Tokyo, Japan

*Primary Examiner*—Antoine Duval Davis  
*Attorney, Agent, or Firm*—Whitham, Curtis & Whitham

[73] Assignee: **Yamatake-Honeywell Co., Ltd.**, Tokyo, Japan

[57] **CLAIM**

The ornamental design for a pressure sensor, as shown and described.

[\*\*] Term: **14 Years**

**DESCRIPTION**

[21] Appl. No.: **77,276**

FIG. 1 is a back view of a pressure generator, showing our new design;

[22] Filed: **Oct. 1, 1997**

FIG. 2 is a front view thereof;

[30] **Foreign Application Priority Data**

Apr. 4, 1997 [JP] Japan ..... 9-50443

FIG. 3 is a front view of a variant embodiment thereof, including a display;

[51] **LOC (6) Cl.** ..... **10-04**

FIG. 4 is a top view thereof;

[52] **U.S. Cl.** ..... **D10/85**

FIG. 5 is a bottom view thereof;

[58] **Field of Search** ..... D10/85; 73/706, 73/716, 720, 721, 717, 861.47, 703, 723, 724, 728, 718

FIG. 6 is a right side view thereof;

FIG. 7 is a left side view thereof;

FIG. 8 is an upper front perspective thereof; and,

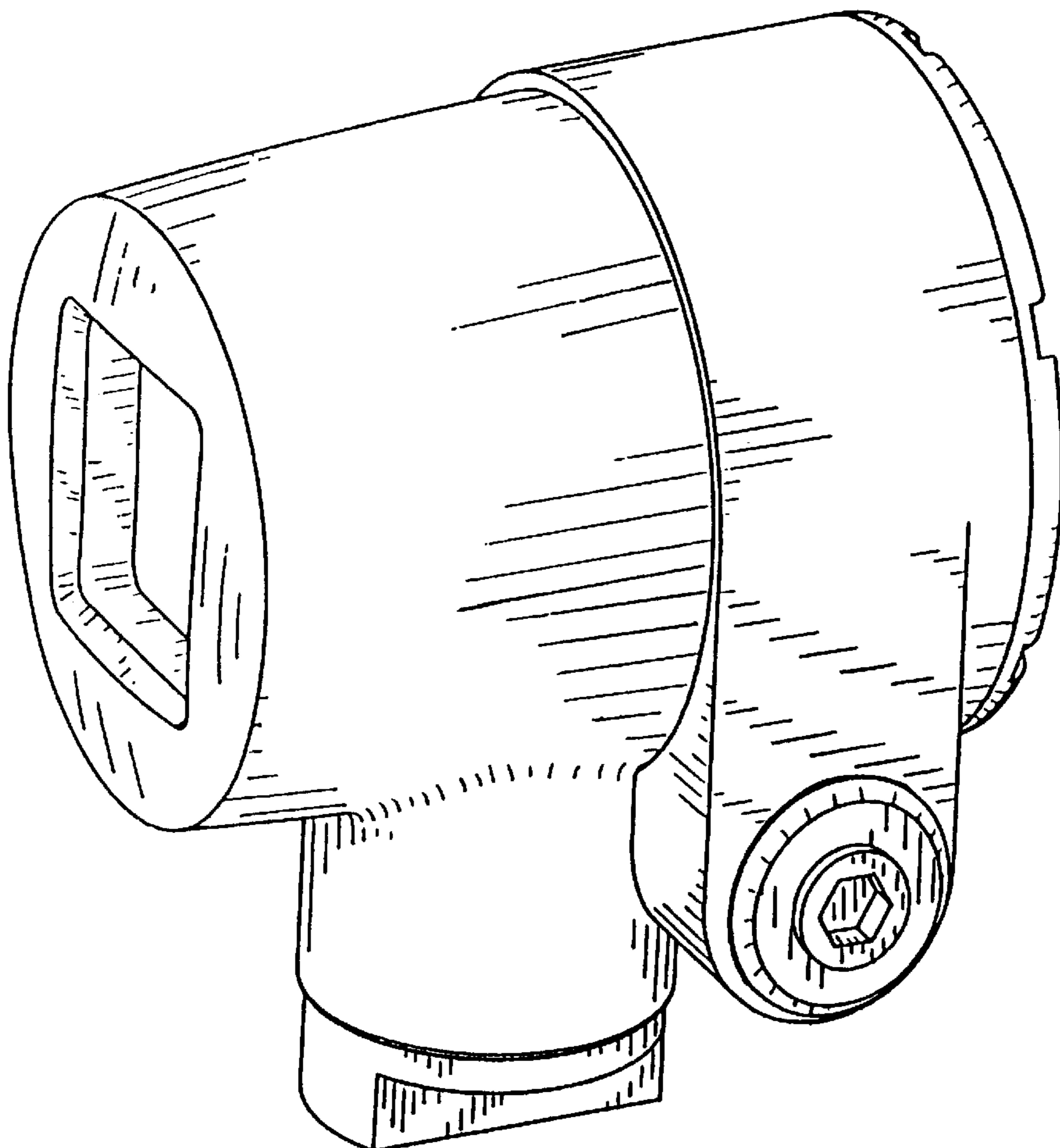
FIG. 9 is an upper rear perspective.

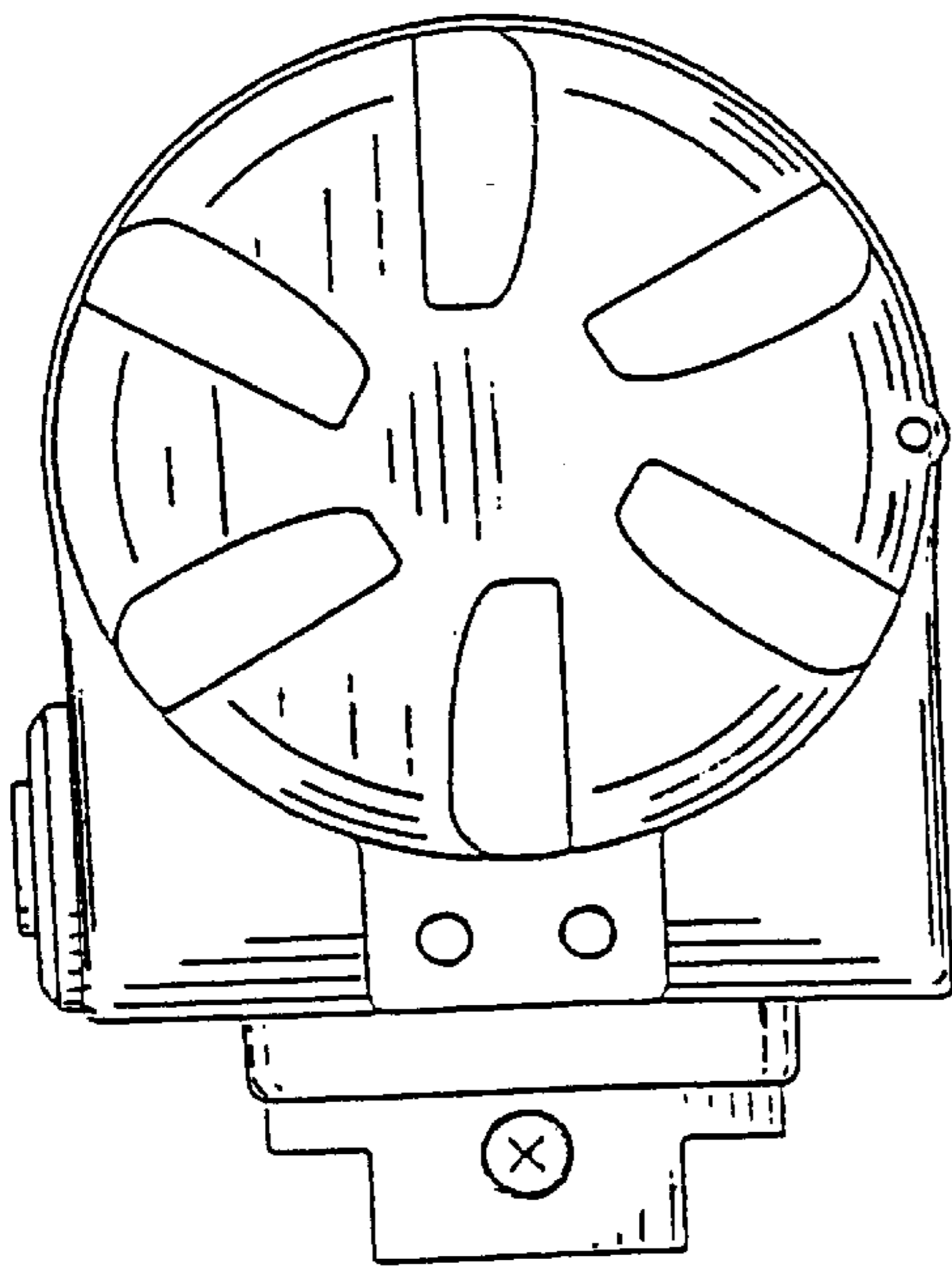
[56] **References Cited**

**U.S. PATENT DOCUMENTS**

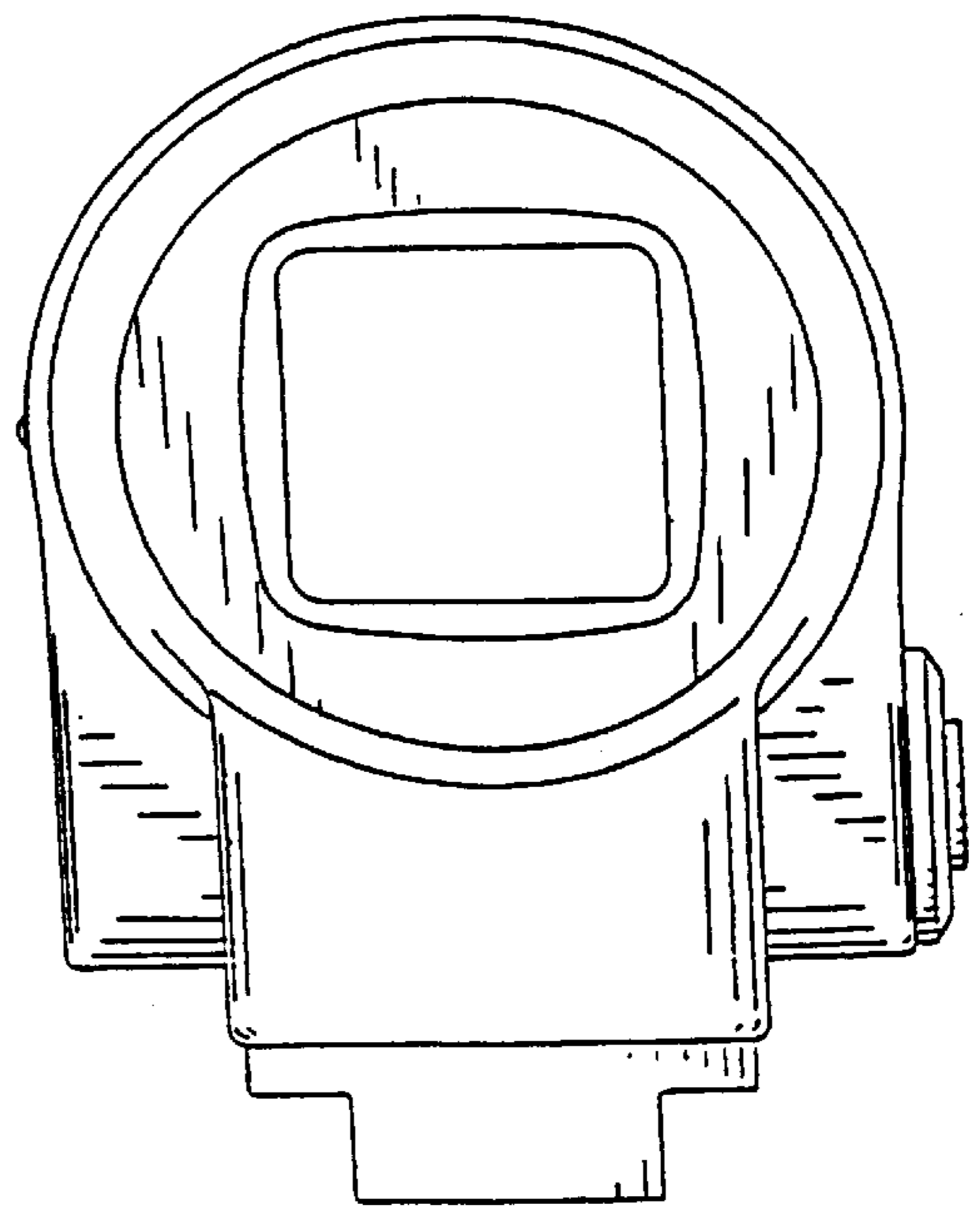
D. 341,095 11/1993 Alden et al. .... D10/85

**1 Claim, 6 Drawing Sheets**

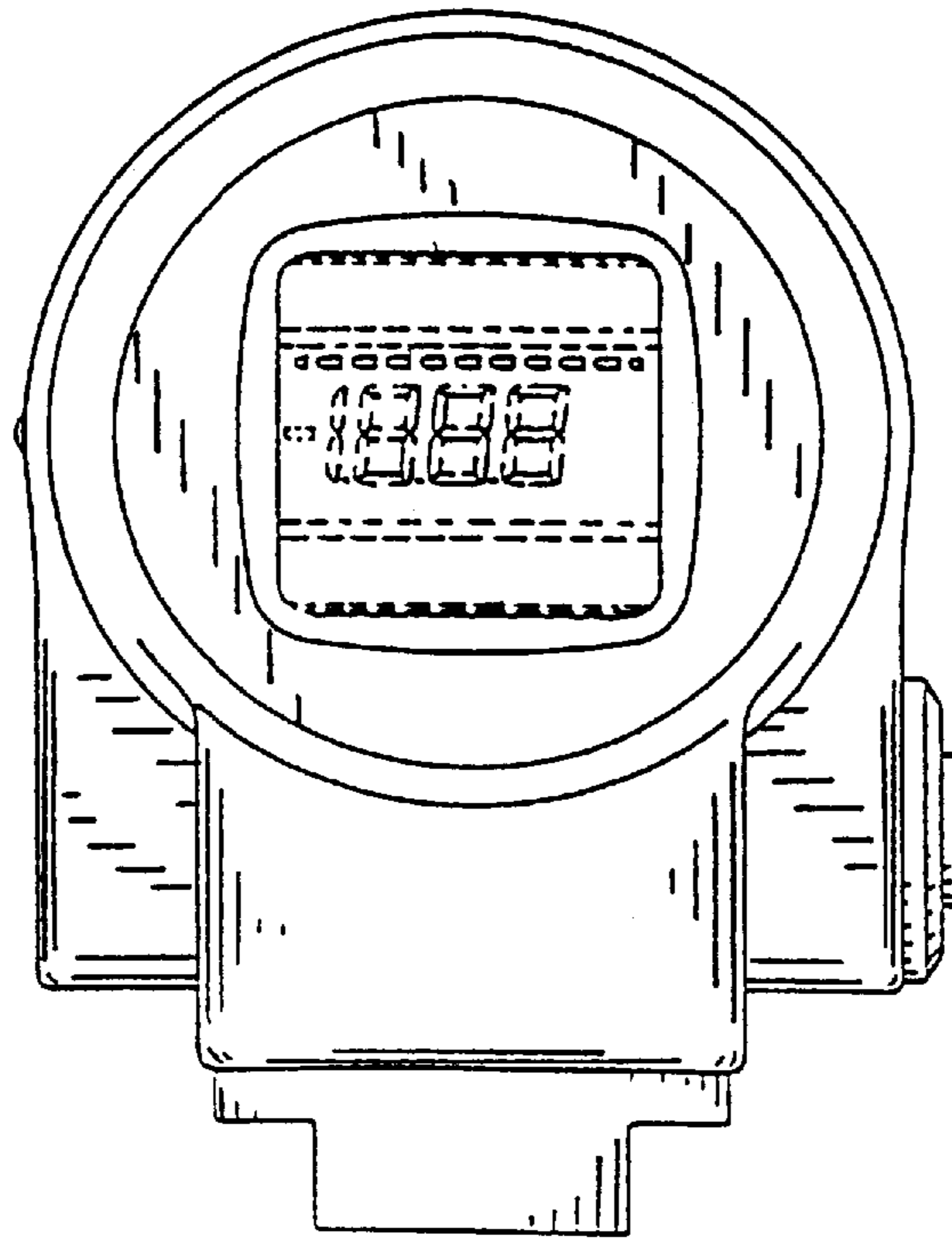




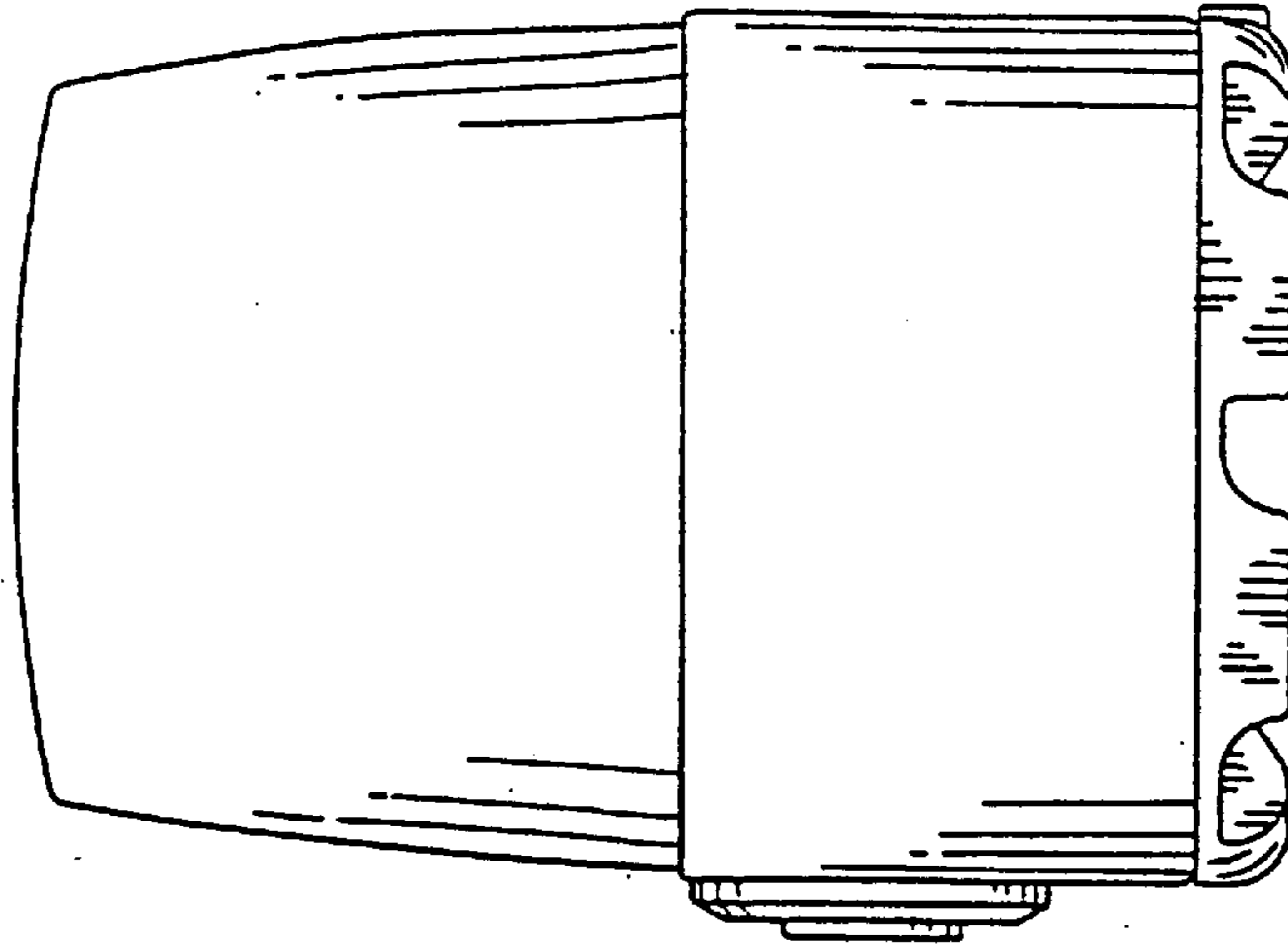
**FIG.1**



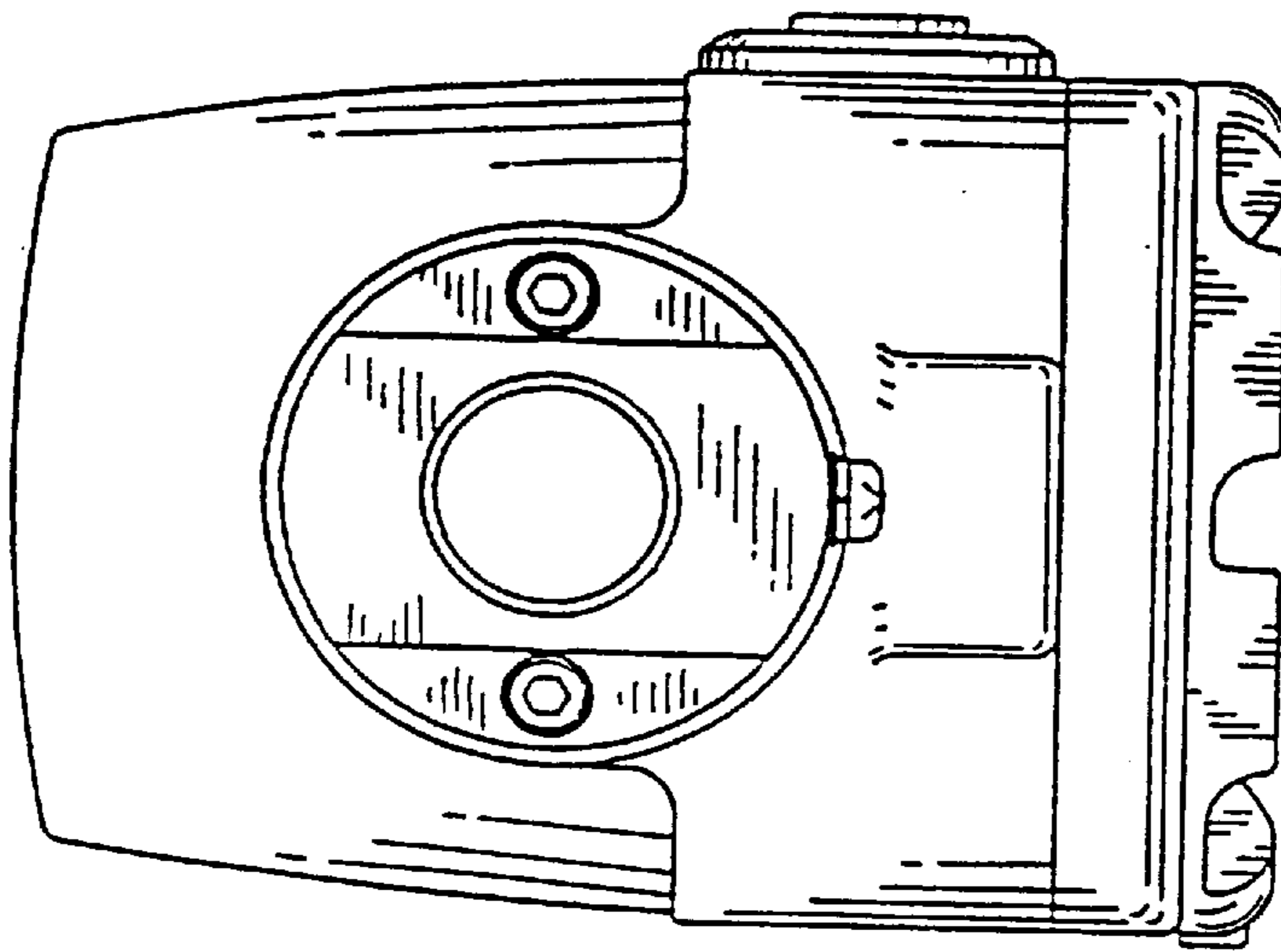
**FIG.2**



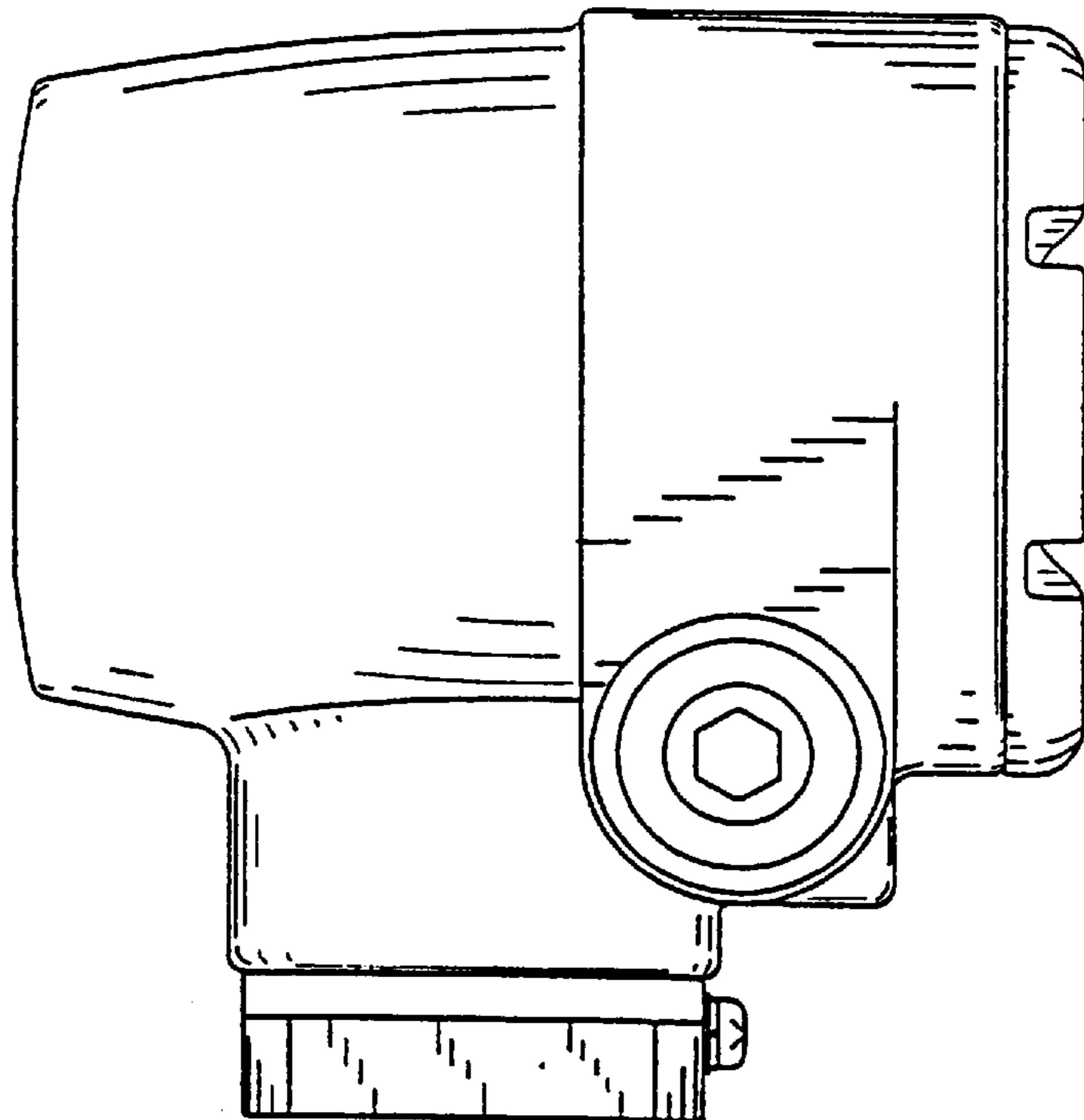
**FIG. 3**



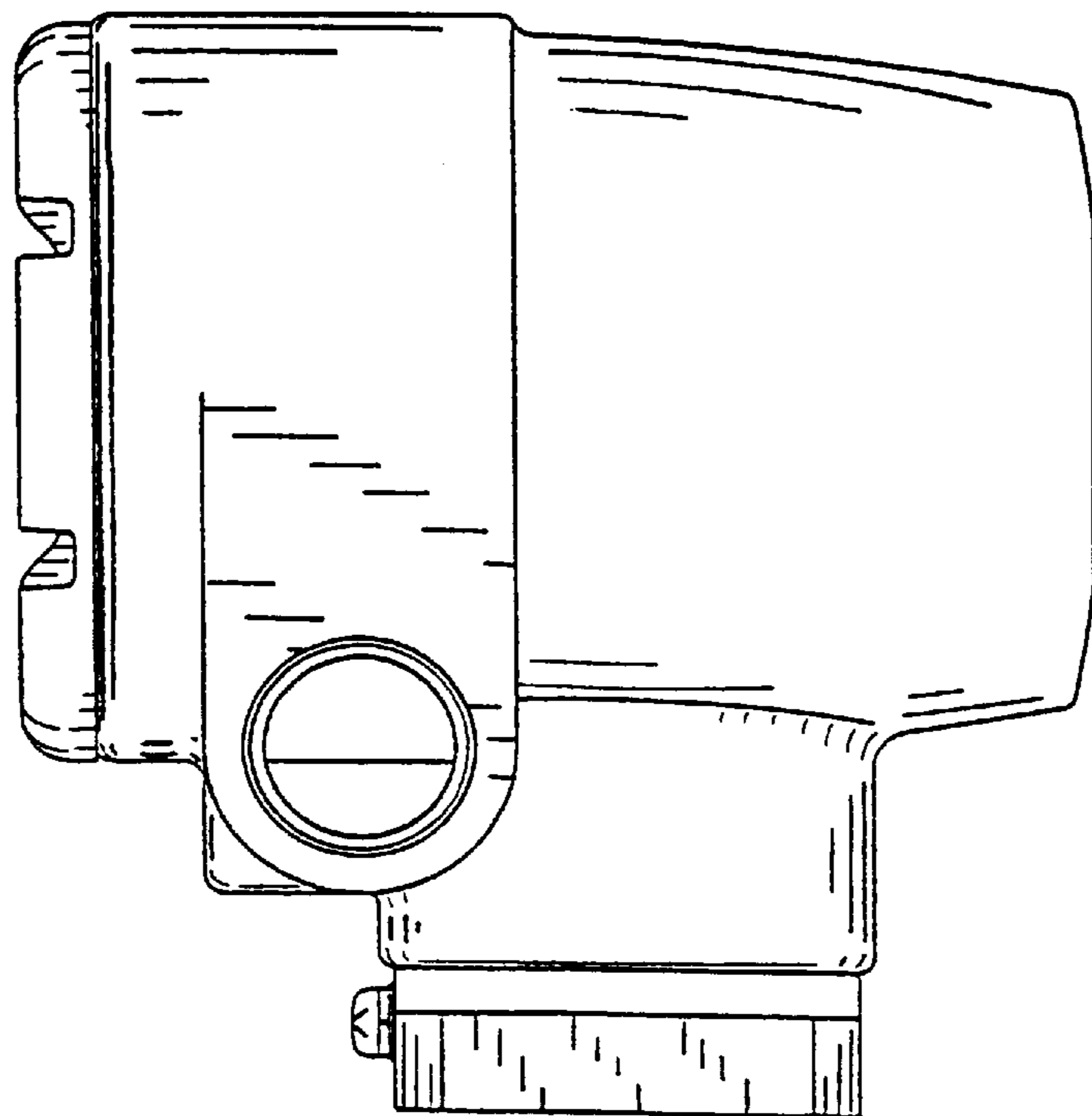
**FIG.4**



**FIG.5**



**FIG. 6**



**FIG. 7**

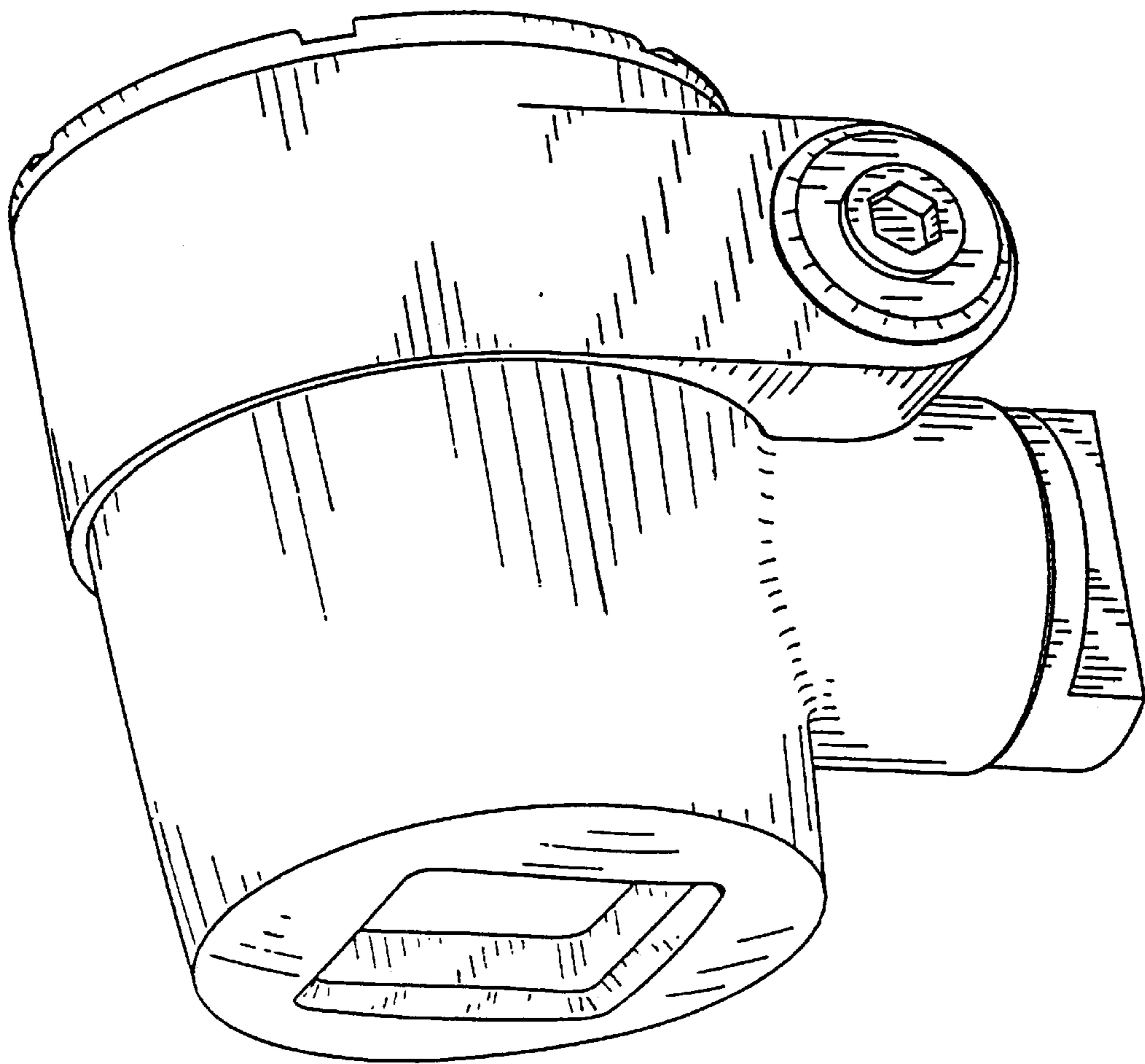


FIG. 8

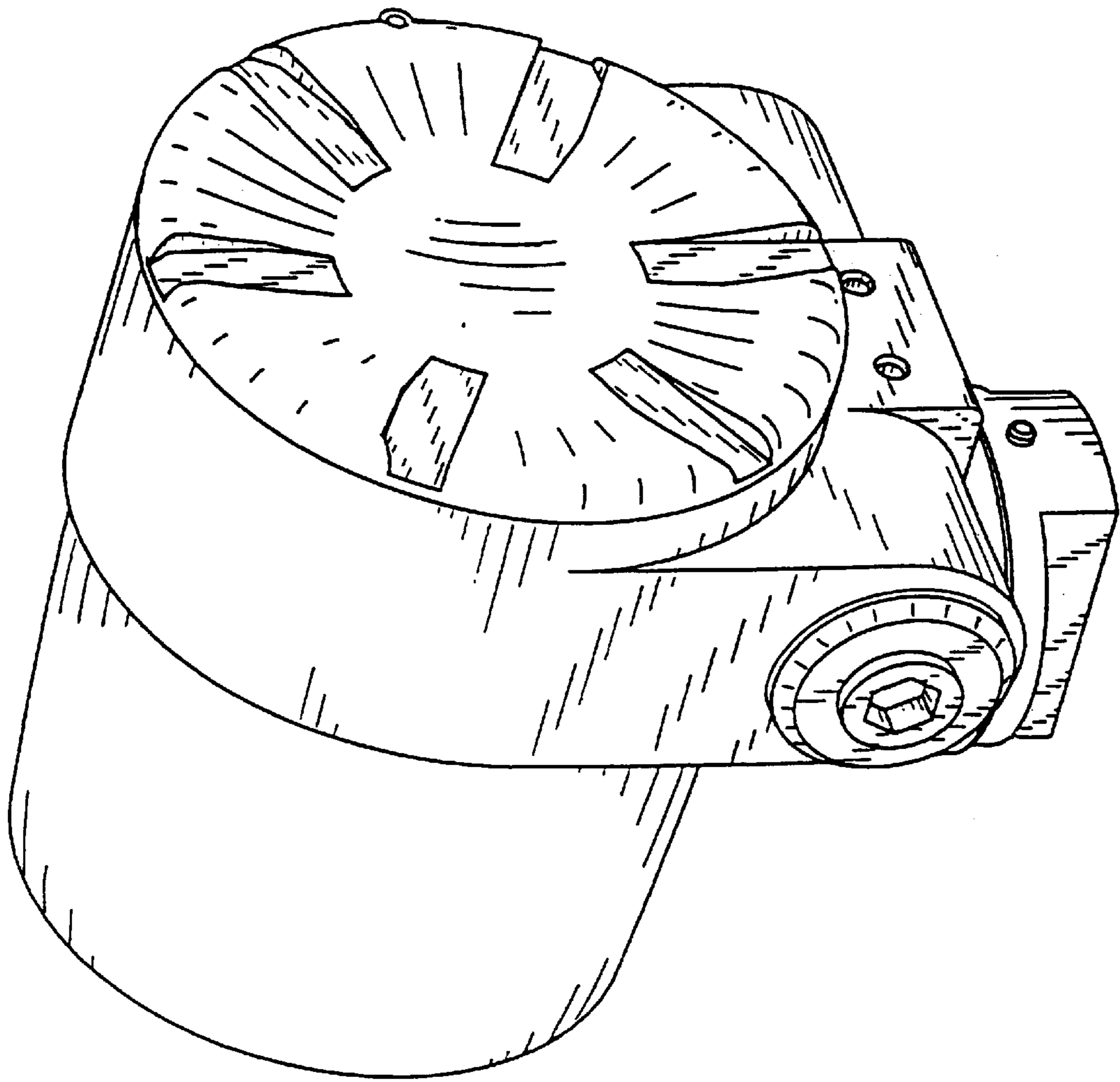


FIG. 9