



US00D399774S

United States Patent [19]
Noble

[11] **Patent Number: Des. 399,774**

[45] **Date of Patent: **Oct. 20, 1998**

[54] **HAND-HELD TEST INSTRUMENT**

[75] Inventor: **Robert H. Noble**, Longmont, Colo.

[73] Assignee: **Hewlett-Packard Company**, Palo Alto, Calif.

[**] Term: **14 Years**

[21] Appl. No.: **78,888**

[22] Filed: **Oct. 31, 1997**

[51] **LOC (6) Cl.** **10-04**

[52] **U.S. Cl.** **D10/78**

[58] **Field of Search** D10/78; 324/73.1,
324/115, 149, 151 R, 151 A, 156; 364/480-483;
379/21

[56] **References Cited**

U.S. PATENT DOCUMENTS

D. 355,138 2/1995 Hoofnagle et al. D10/78
D. 361,288 8/1995 Chandwick et al. D10/78

Primary Examiner—Antoine Duval Davis

[57] **CLAIM**

The ornamental design for a hand-held test instrument, as shown and described.

DESCRIPTION

FIG. 1 is an isometric view of a hand-held test instrument; FIG. 2 is a top plan view thereof; FIG. 3 is a bottom plan view thereof; FIG. 4 is a front elevational view thereof; FIG. 5 is a rear elevational view thereof; FIG. 6 is a right side elevational view thereof; FIG. 7 is a left side elevational view thereof; FIG. 8 is a front elevational view of the hand-held test instrument of FIG. 1 with a portion thereof shown in an alternate position;

FIG. 9 is a rear elevational view of the hand-held test instrument of FIG. 8;

FIG. 10 is a right side elevational view thereof;

FIG. 11 is a left side elevational view thereof;

FIG. 12 is a bottom plan view thereof;

FIG. 13 is an isometric view of a second embodiment of a hand-held test instrument; buttons and a screen are shown in broken lines for illustrative purposes only and form no part of the claimed design;

FIG. 14 is a top plan view thereof;

FIG. 15 is a bottom plan view thereof;

FIG. 16 is a front elevational view thereof; a screen is shown in broken lines for illustrative purposes only and forms no part of the claimed design;

FIG. 17 is a rear elevational view thereof;

FIG. 18 is a right side elevational view thereof, the left side elevational view being a mirror image;

FIG. 19 is an isometric view of a third embodiment of a hand-held test instrument; buttons and a screen are shown in broken lines for illustrative purposes only and form no part of the claimed design;

FIG. 20 is a top plan view thereof;

FIG. 21 is a bottom plan view thereof;

FIG. 22 is a front elevational view thereof; a screen is shown in broken lines for illustrative purposes only and forms no part of the claimed design;

FIG. 23 is a rear elevational view thereof;

FIG. 24 is a right side elevational view thereof, the left side elevational view being a mirror image;

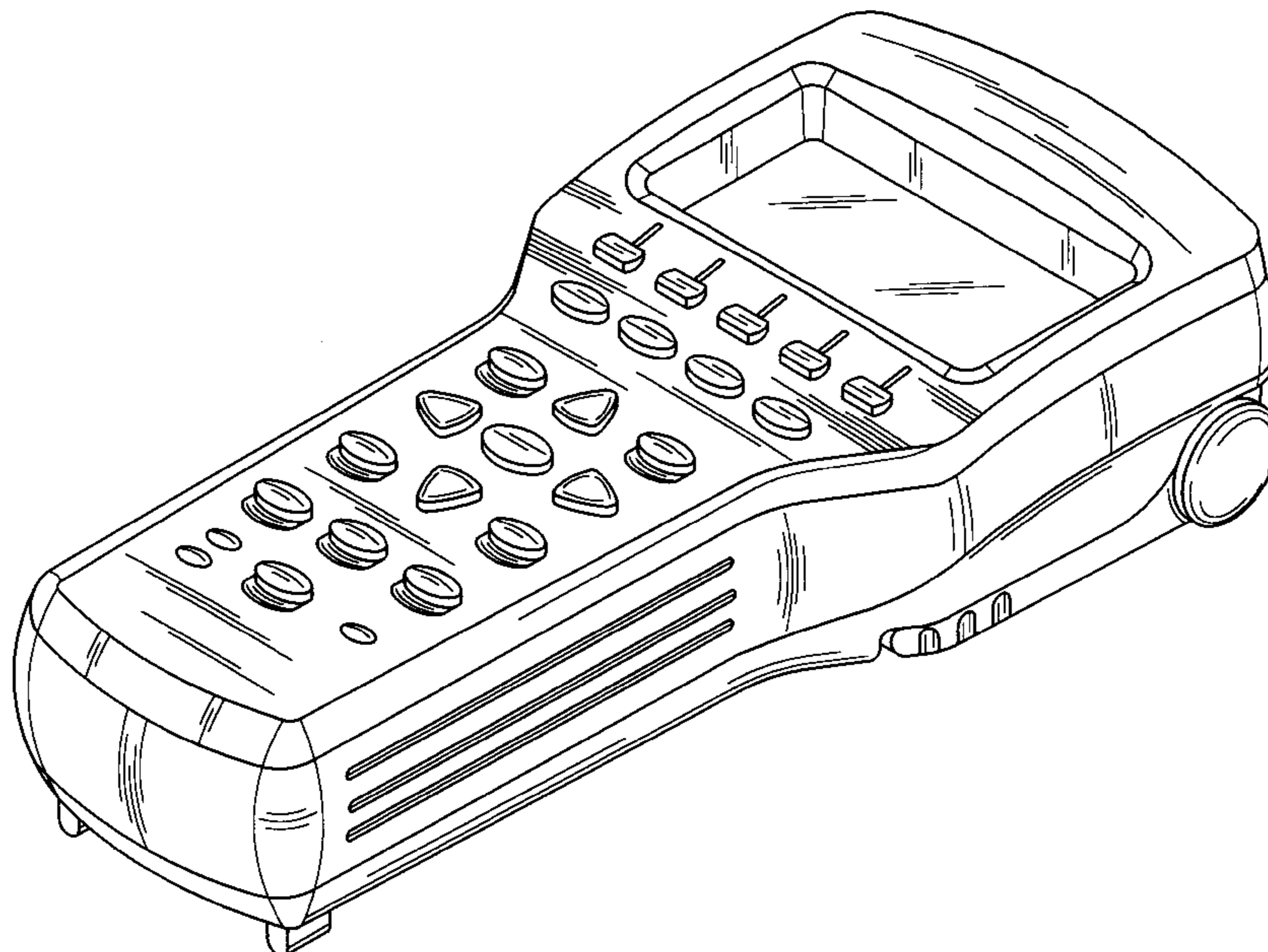
FIG. 25 is a front elevational view of the hand-held test instrument of FIG. 22 with a portion thereof shown in an alternate position;

FIG. 26 is a rear elevational view of the hand-held test instrument of FIG. 25;

FIG. 27 is a right side elevational view thereof, the left side elevational view being a mirror image; and,

FIG. 28 is a bottom plan view thereof.

1 Claim, 19 Drawing Sheets



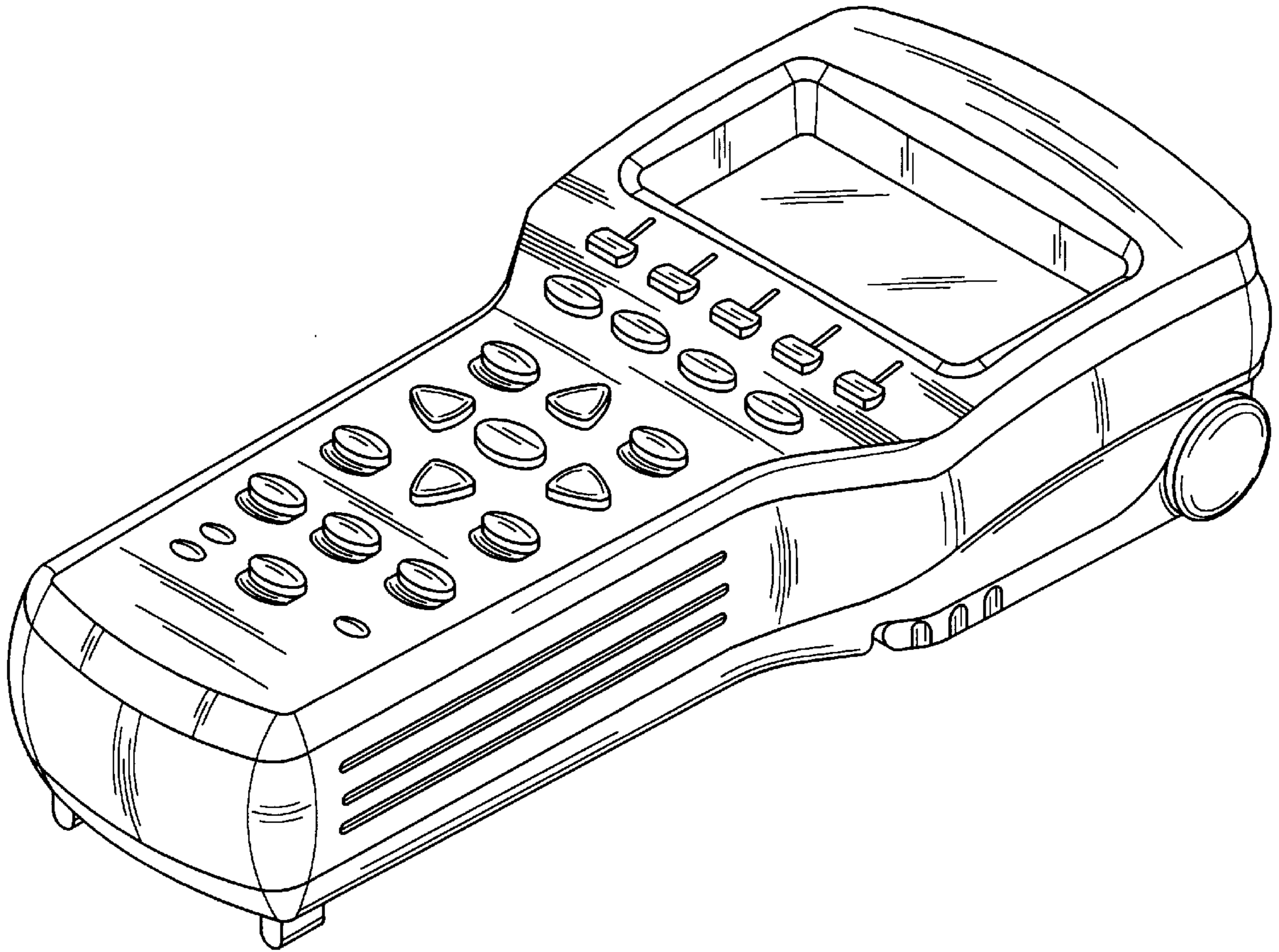


FIG. 1

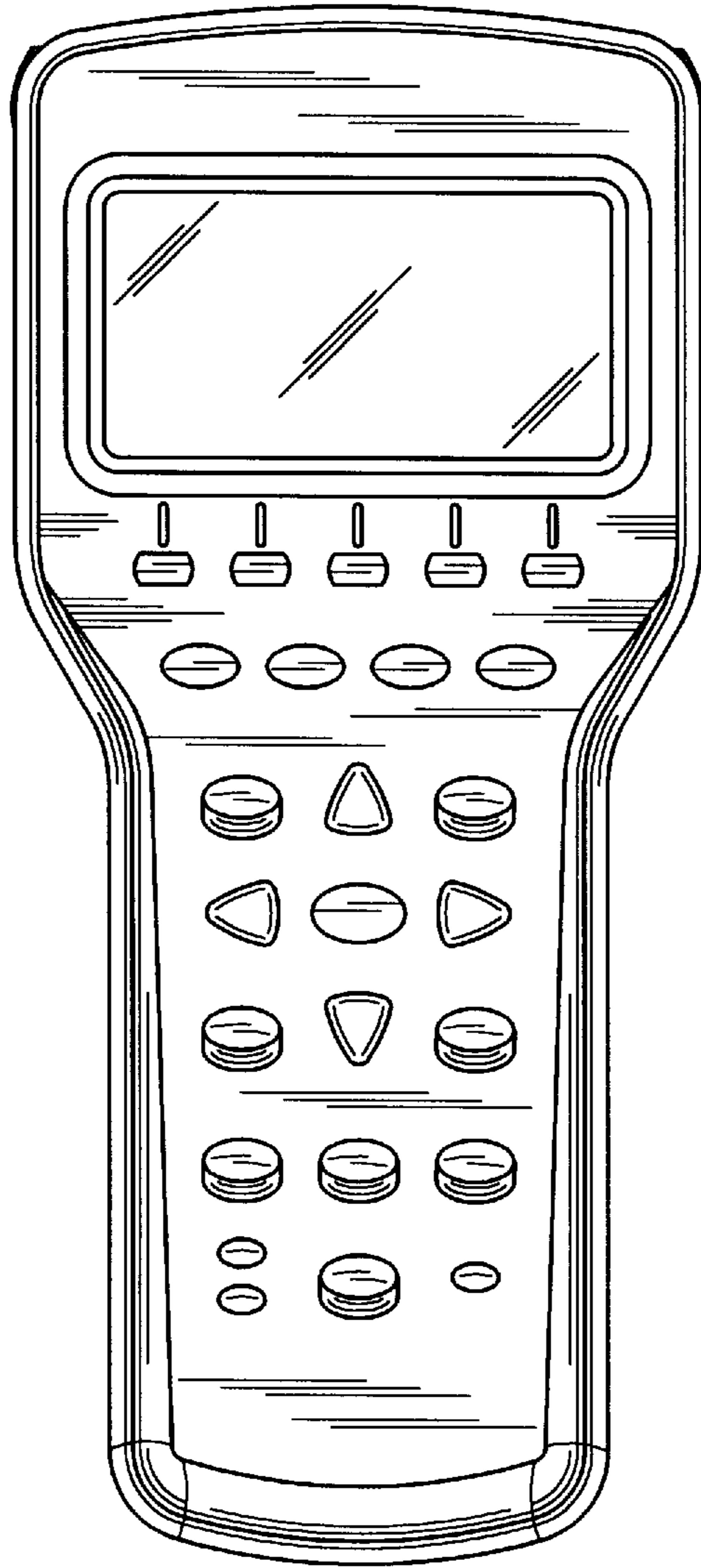


FIG. 2

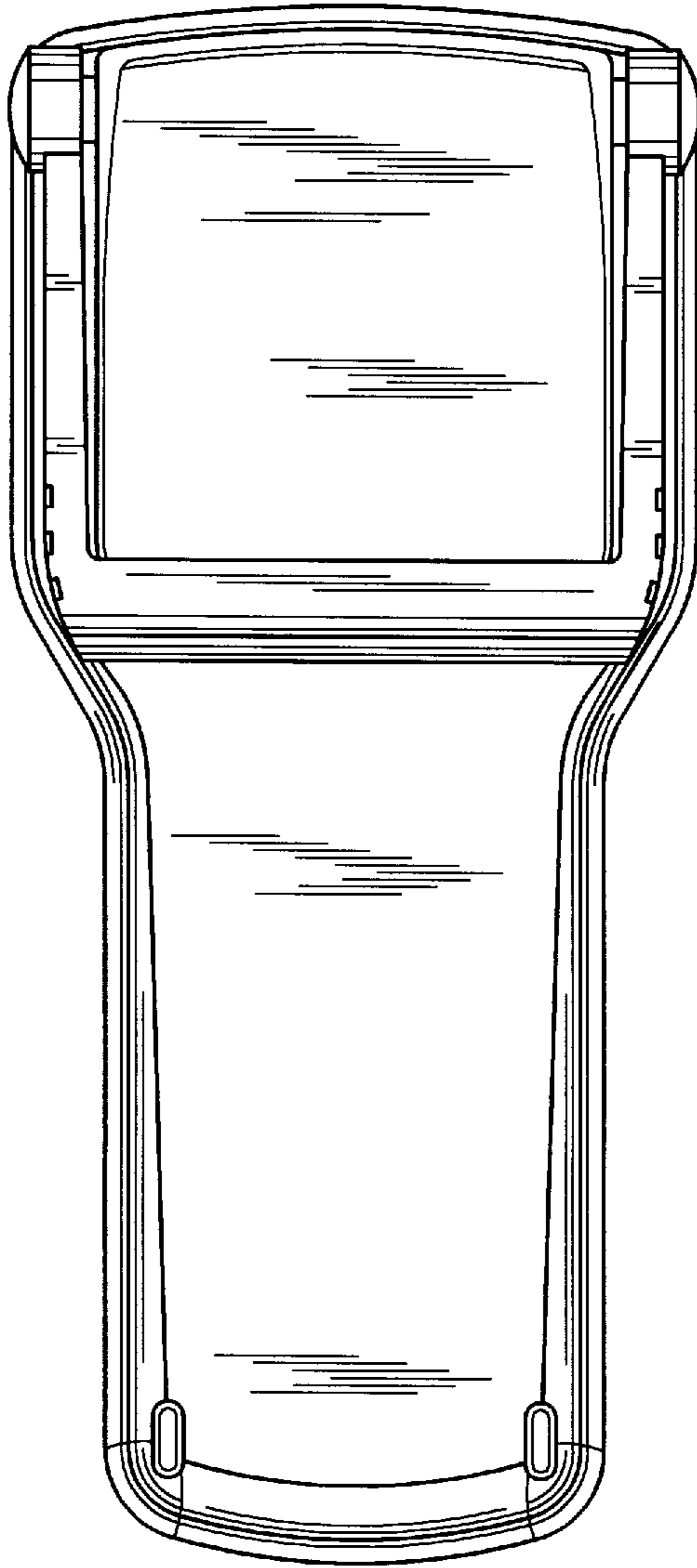


FIG. 3

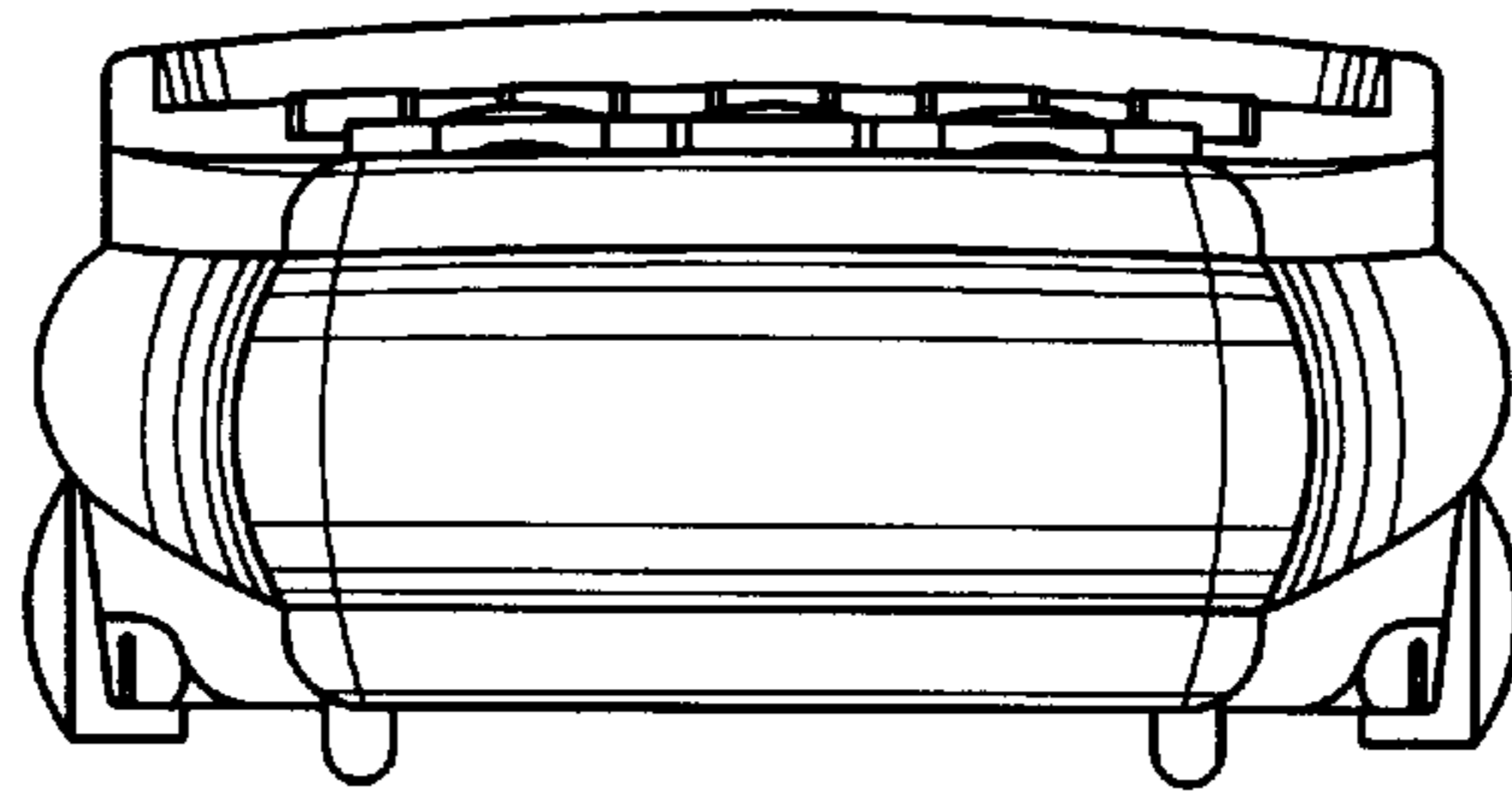


FIG. 4

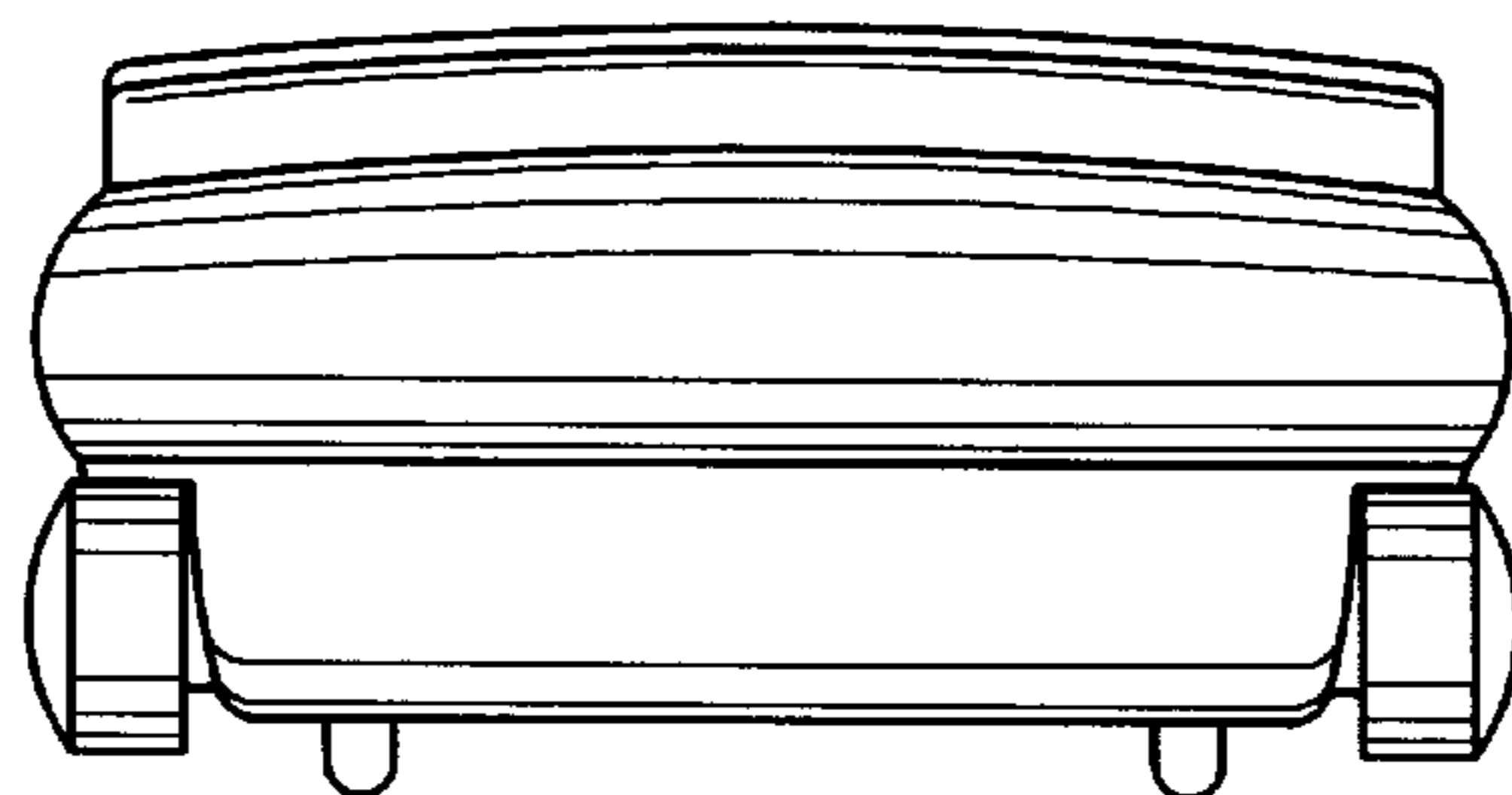


FIG. 5

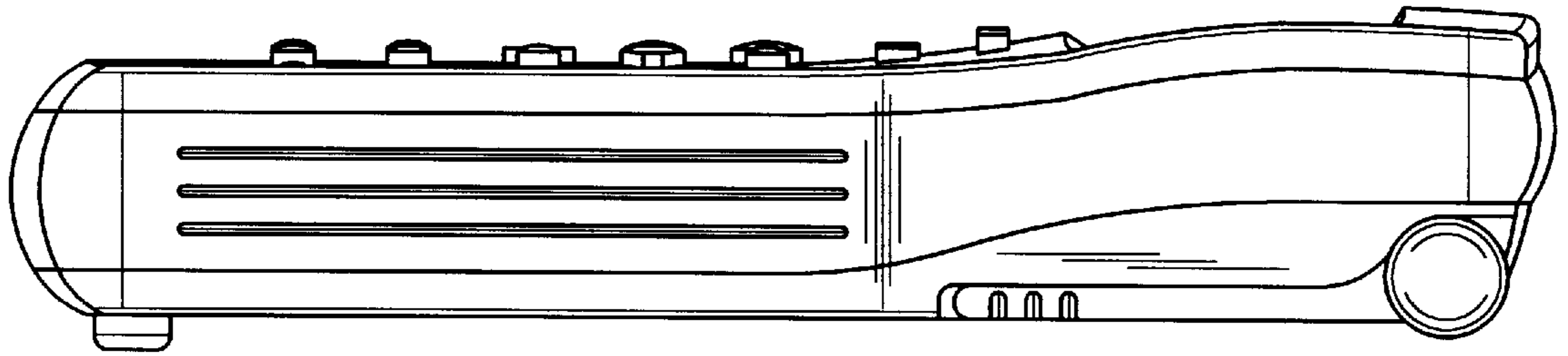


FIG. 6

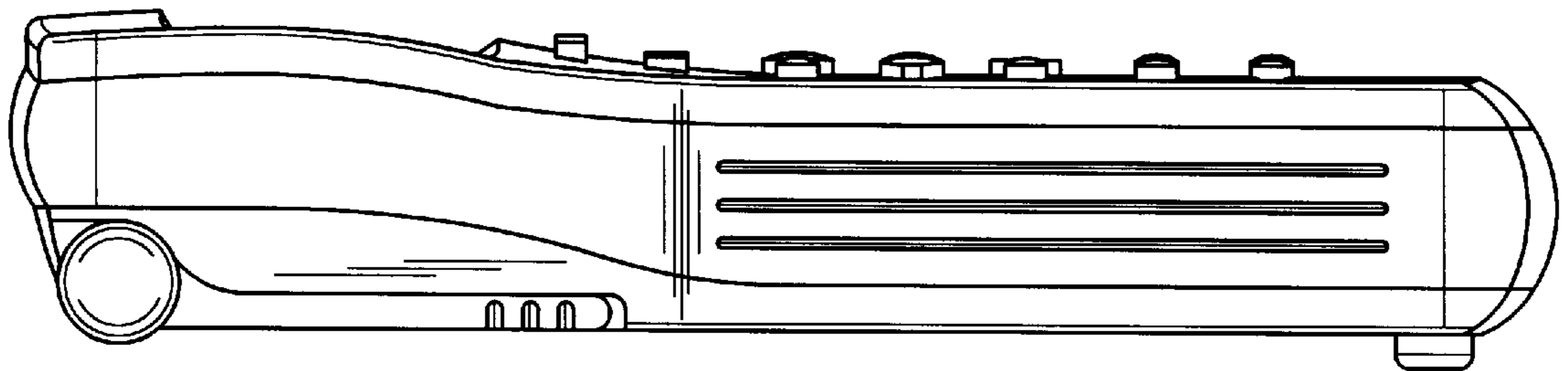


FIG. 7

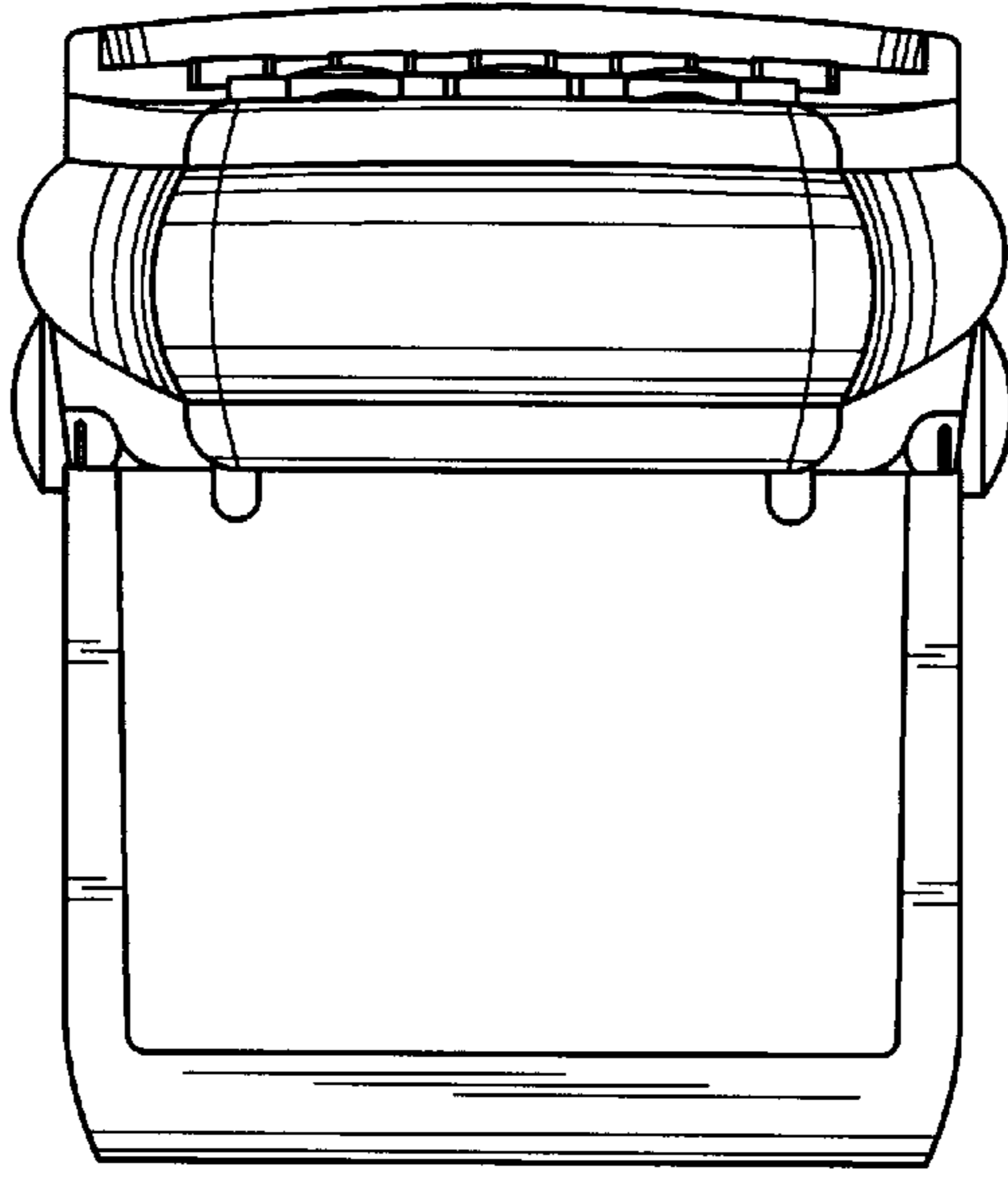


FIG. 8

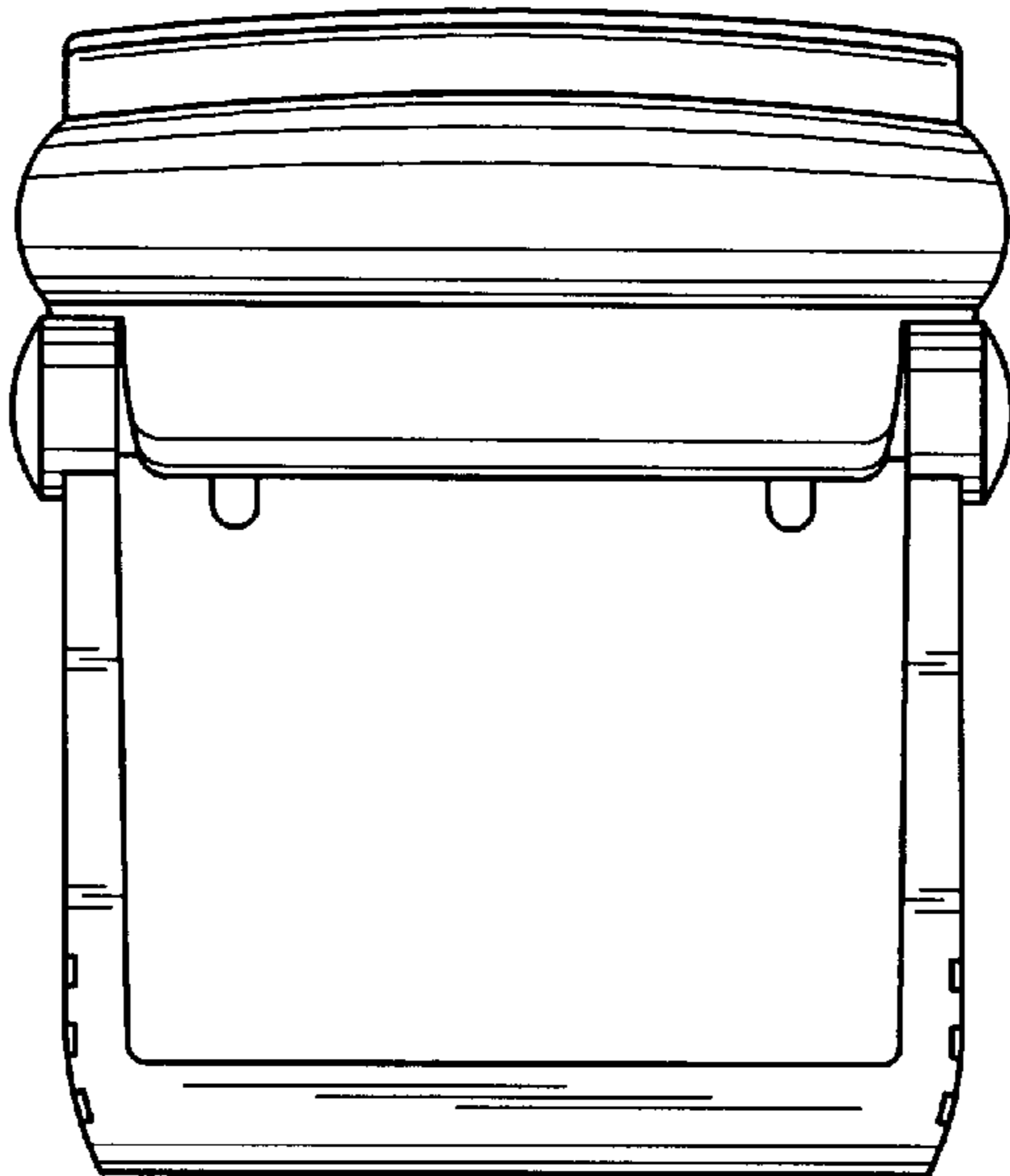


FIG. 9

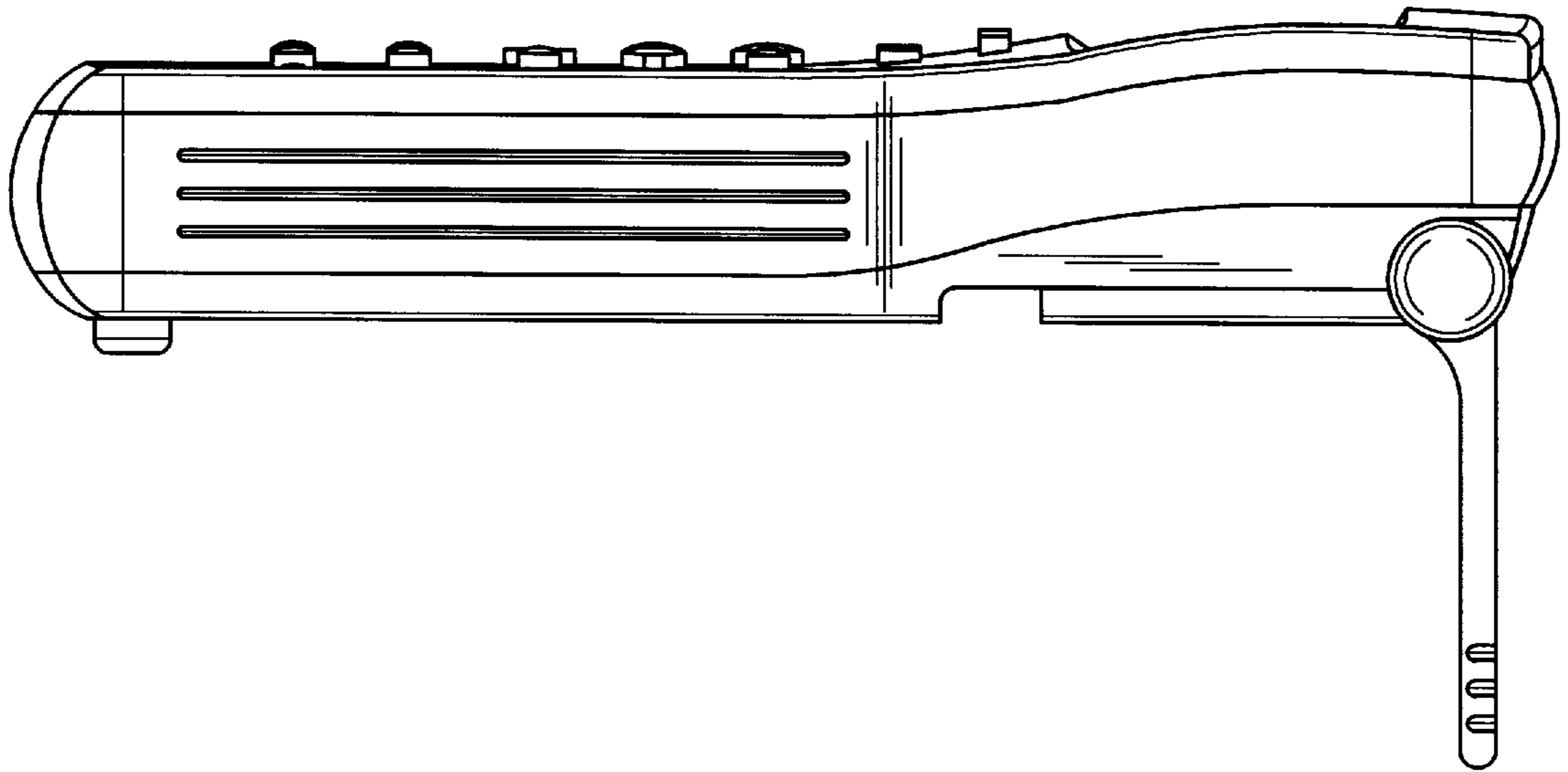


FIG. 10

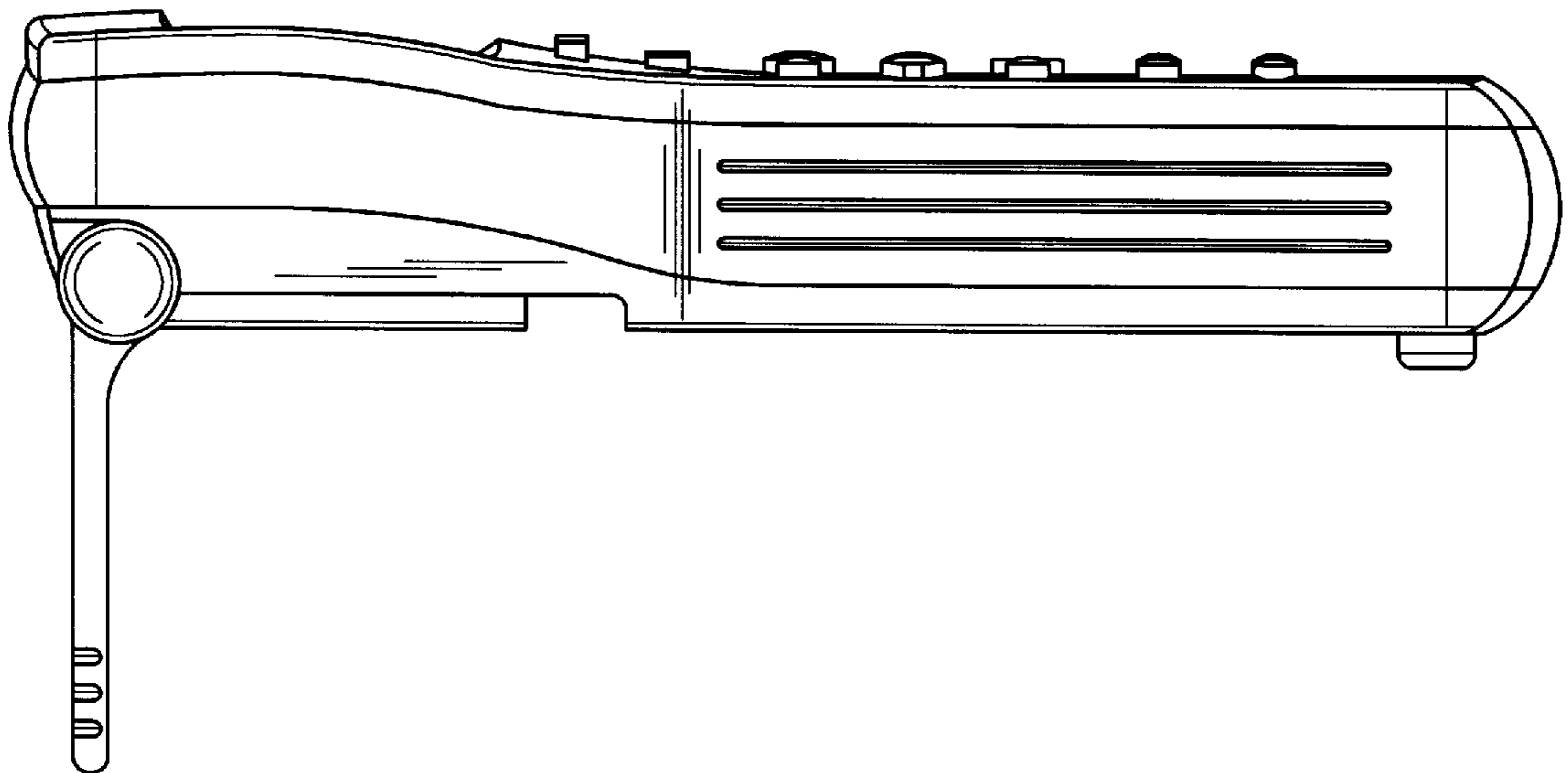


FIG. 11

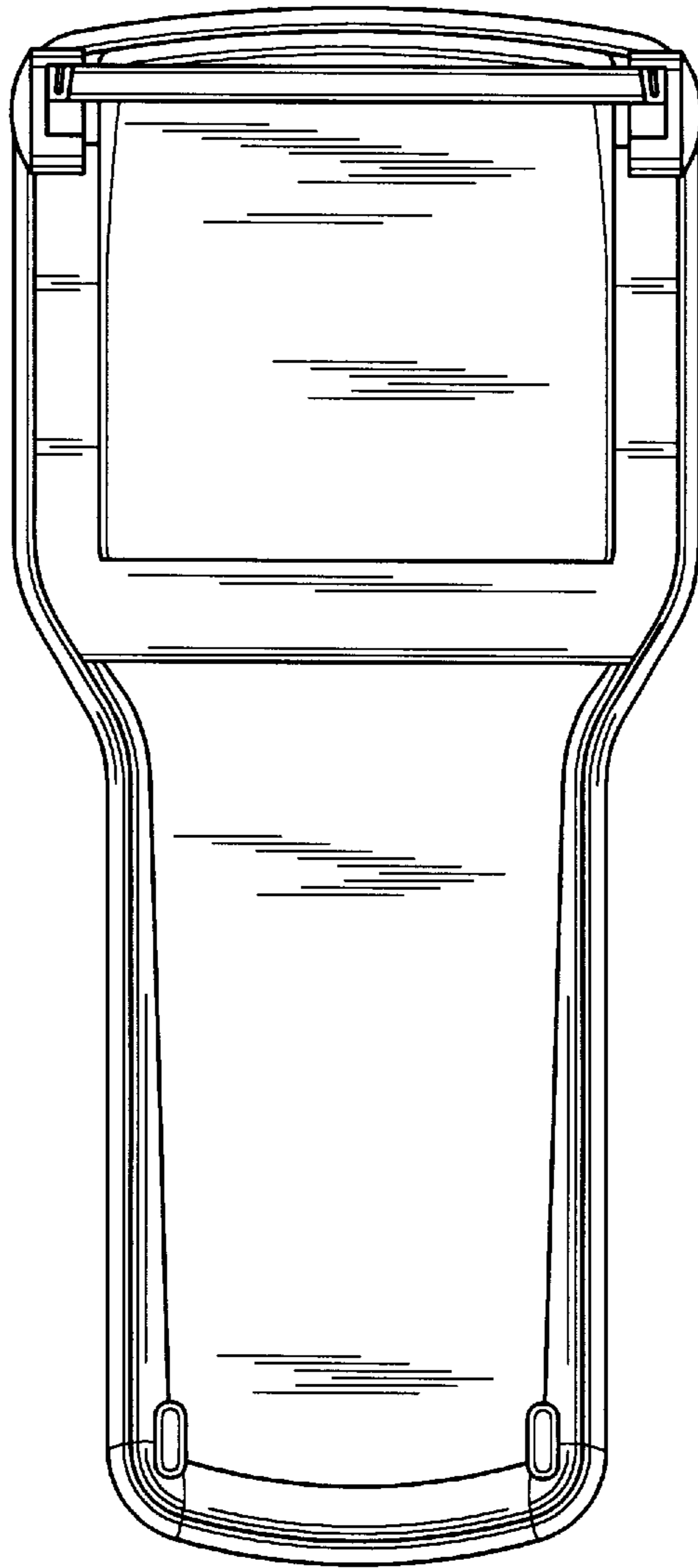


FIG. 12

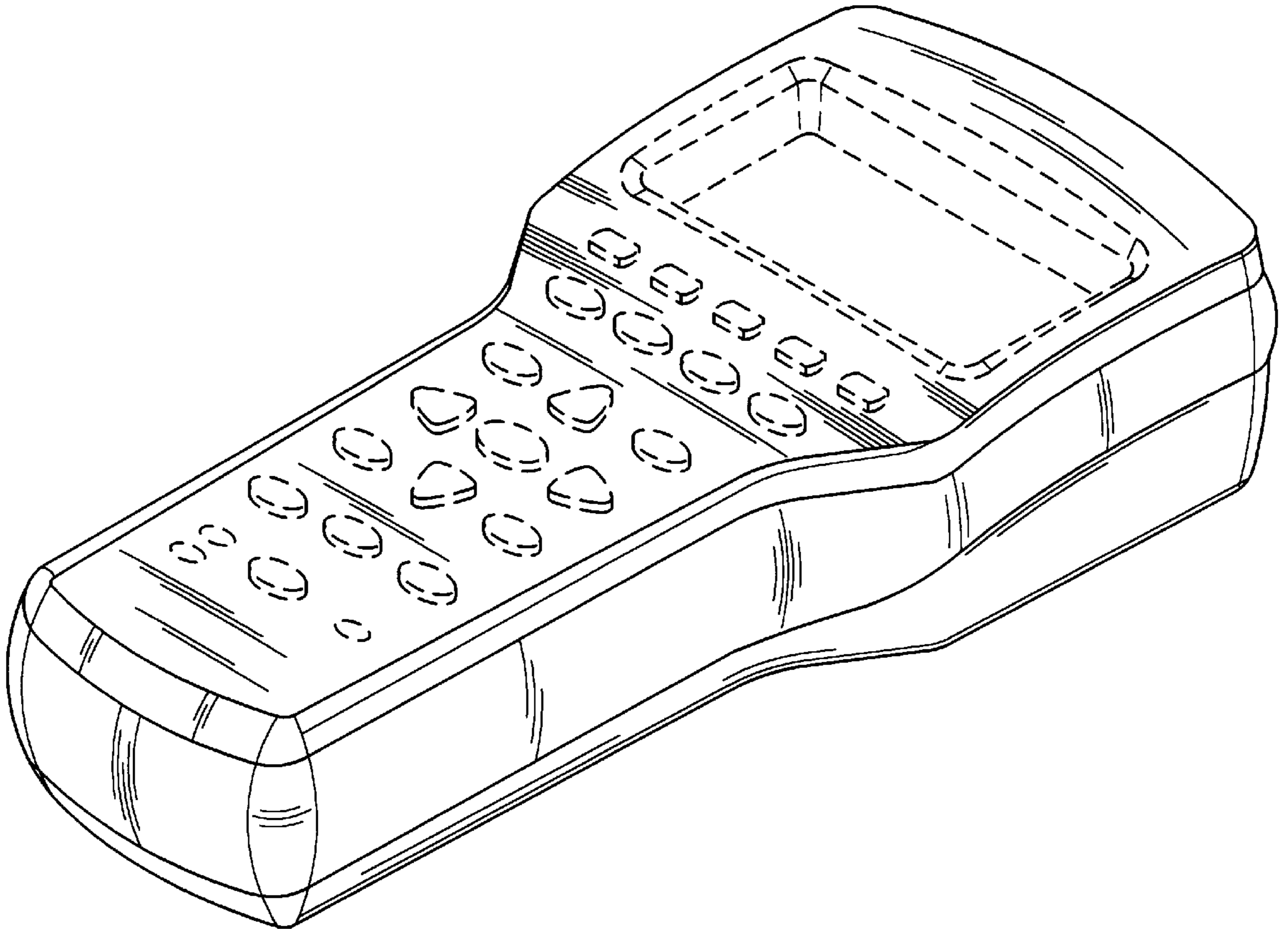


FIG. 13

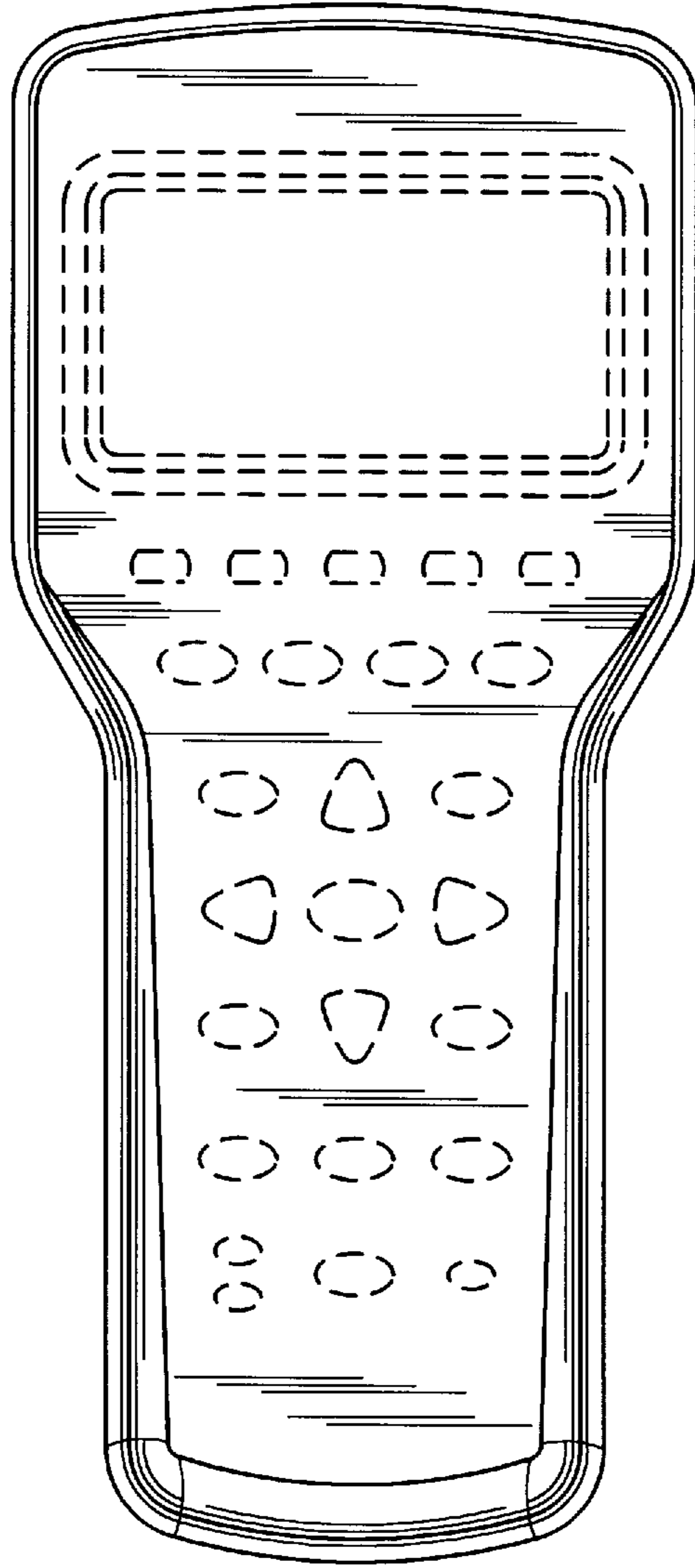


FIG. 14

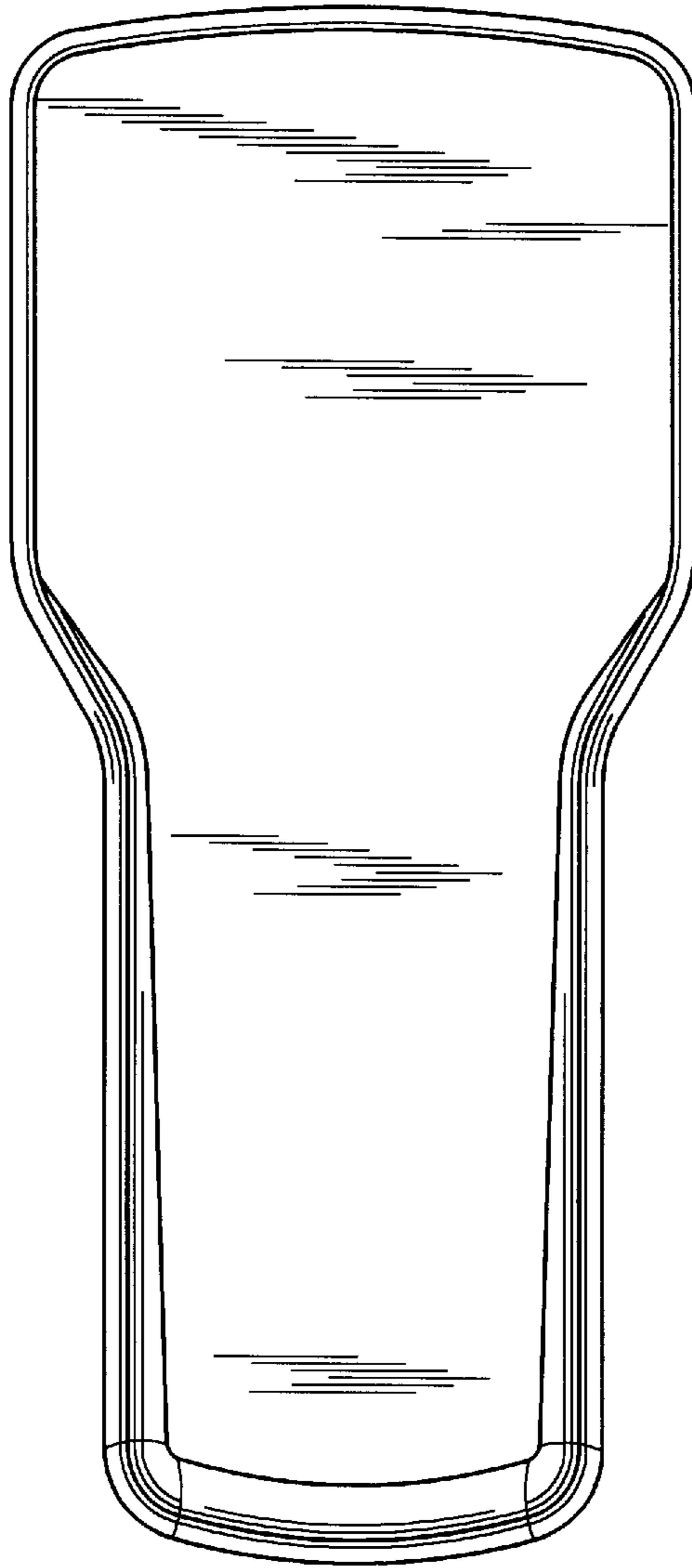


FIG. 15

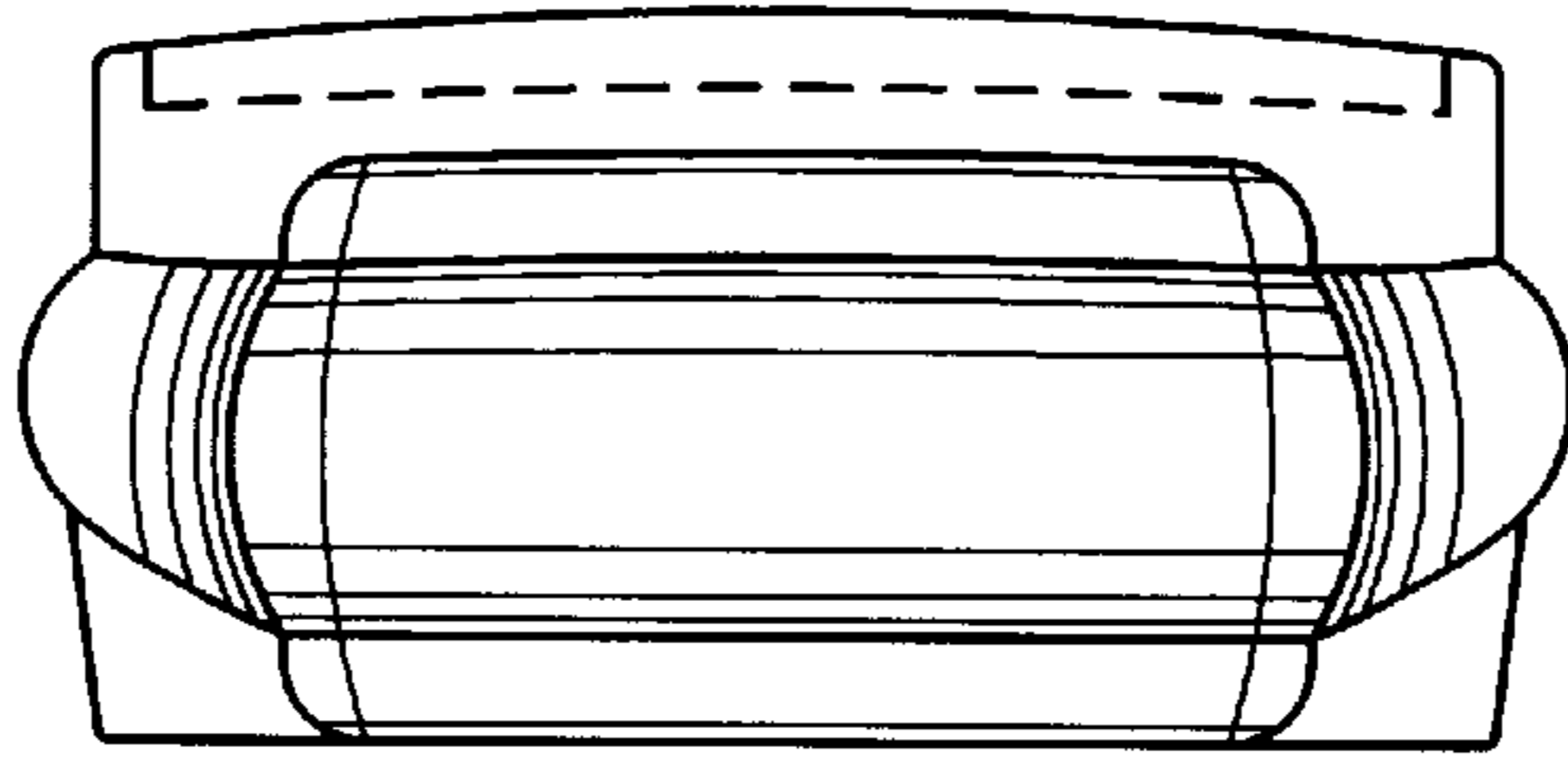


FIG. 16

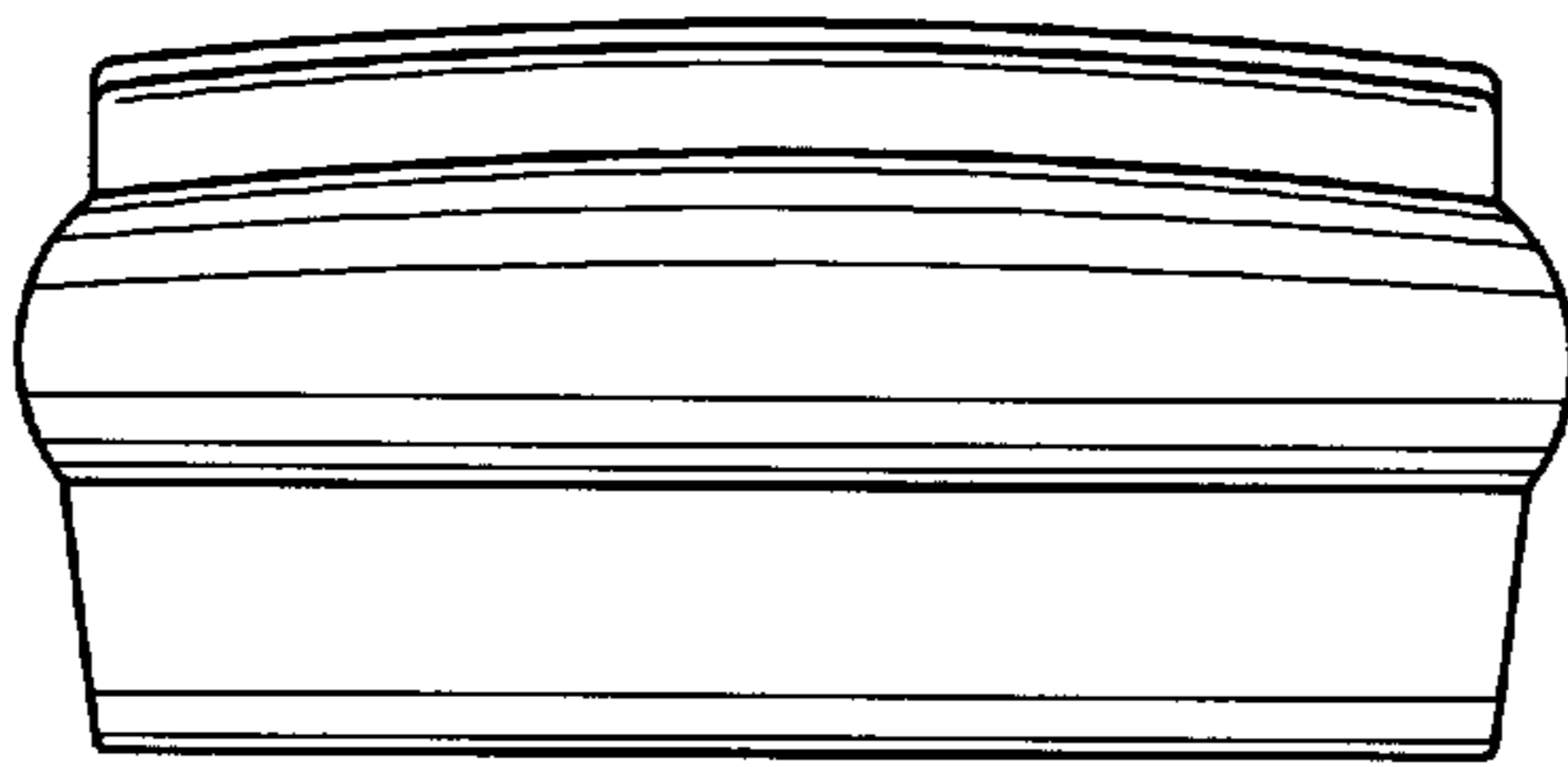


FIG. 17

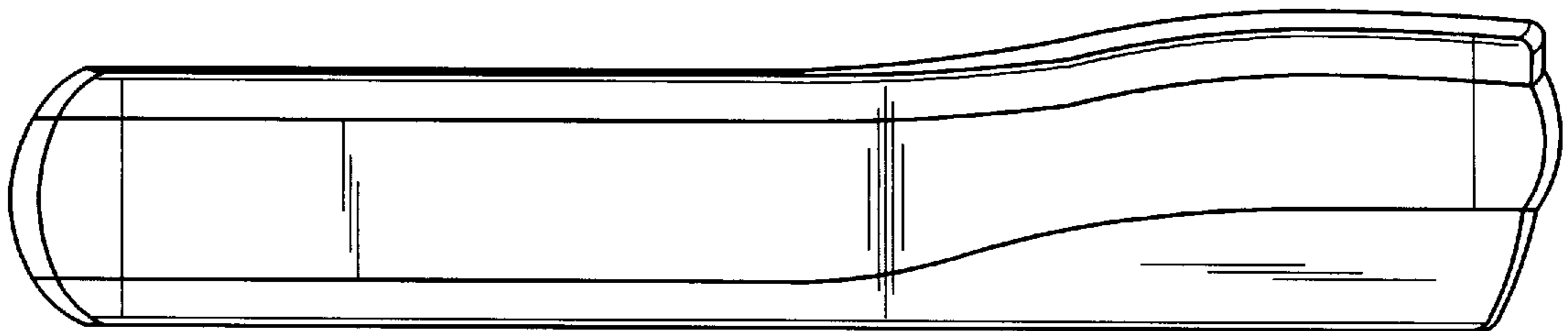


FIG. 18

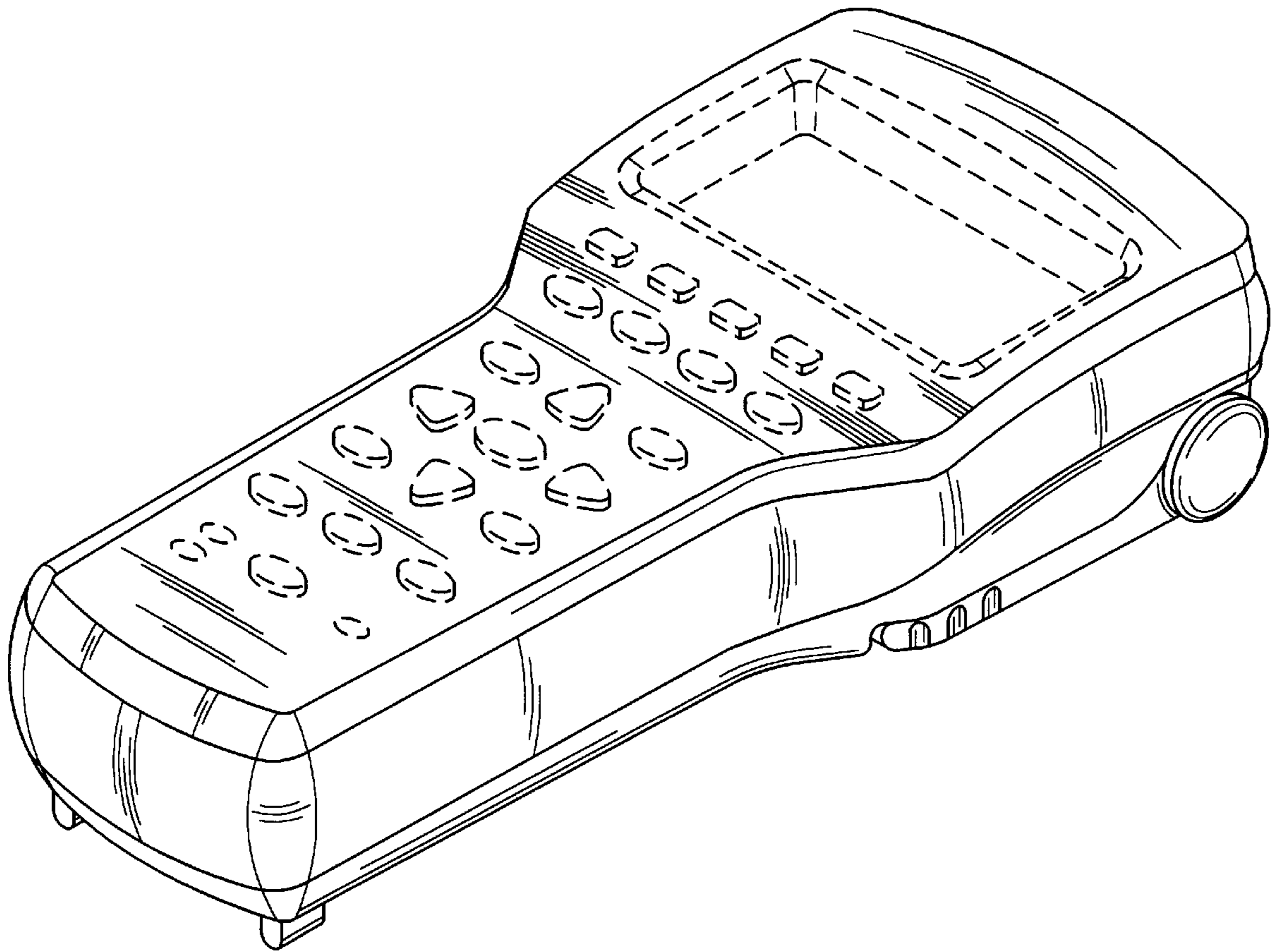


FIG. 19

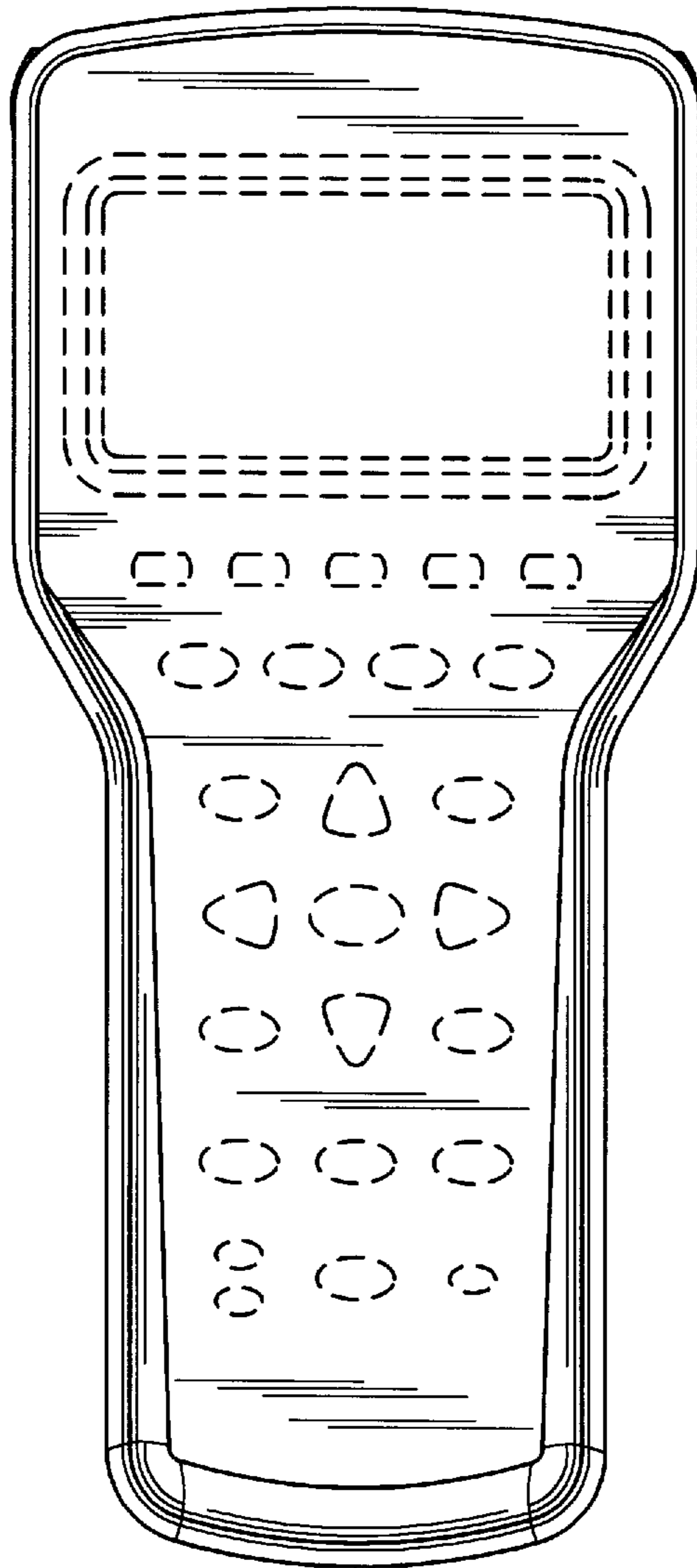


FIG. 20

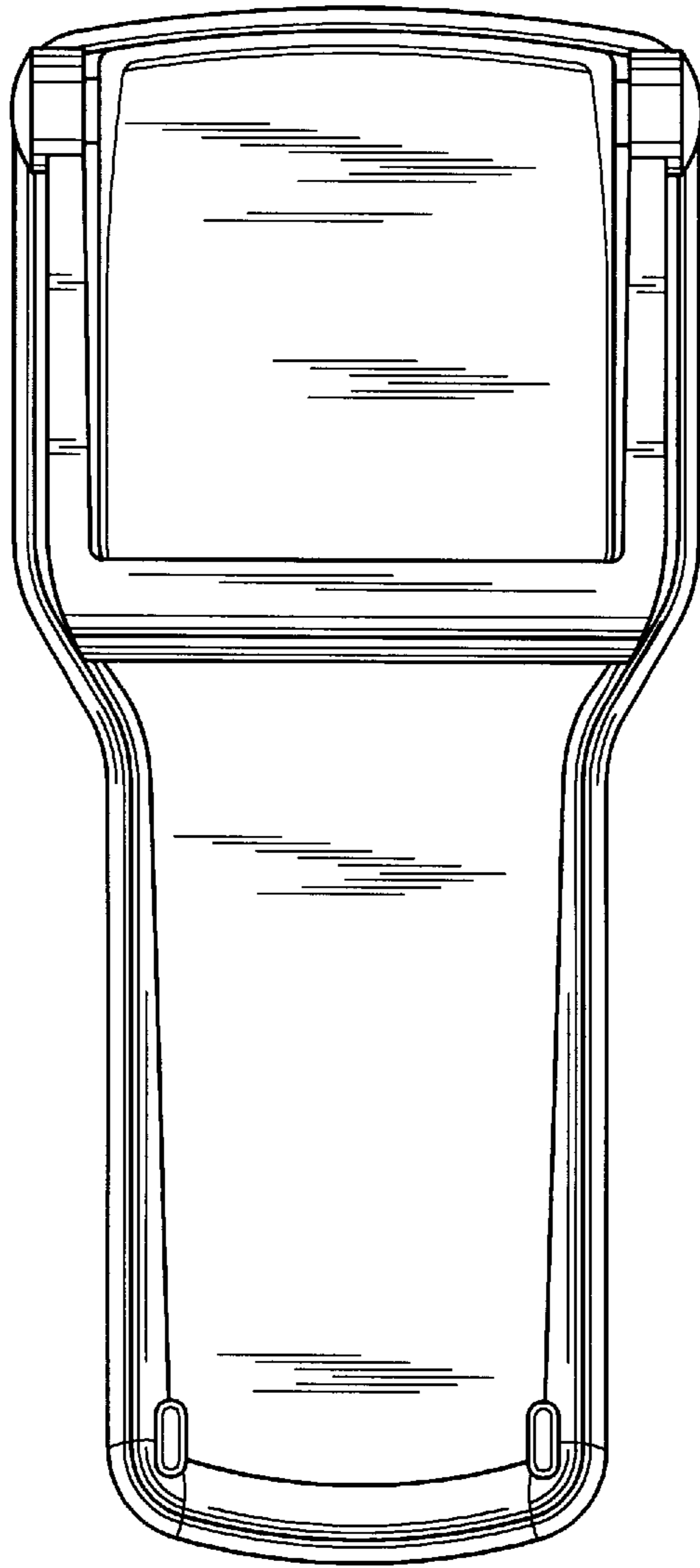


FIG. 21

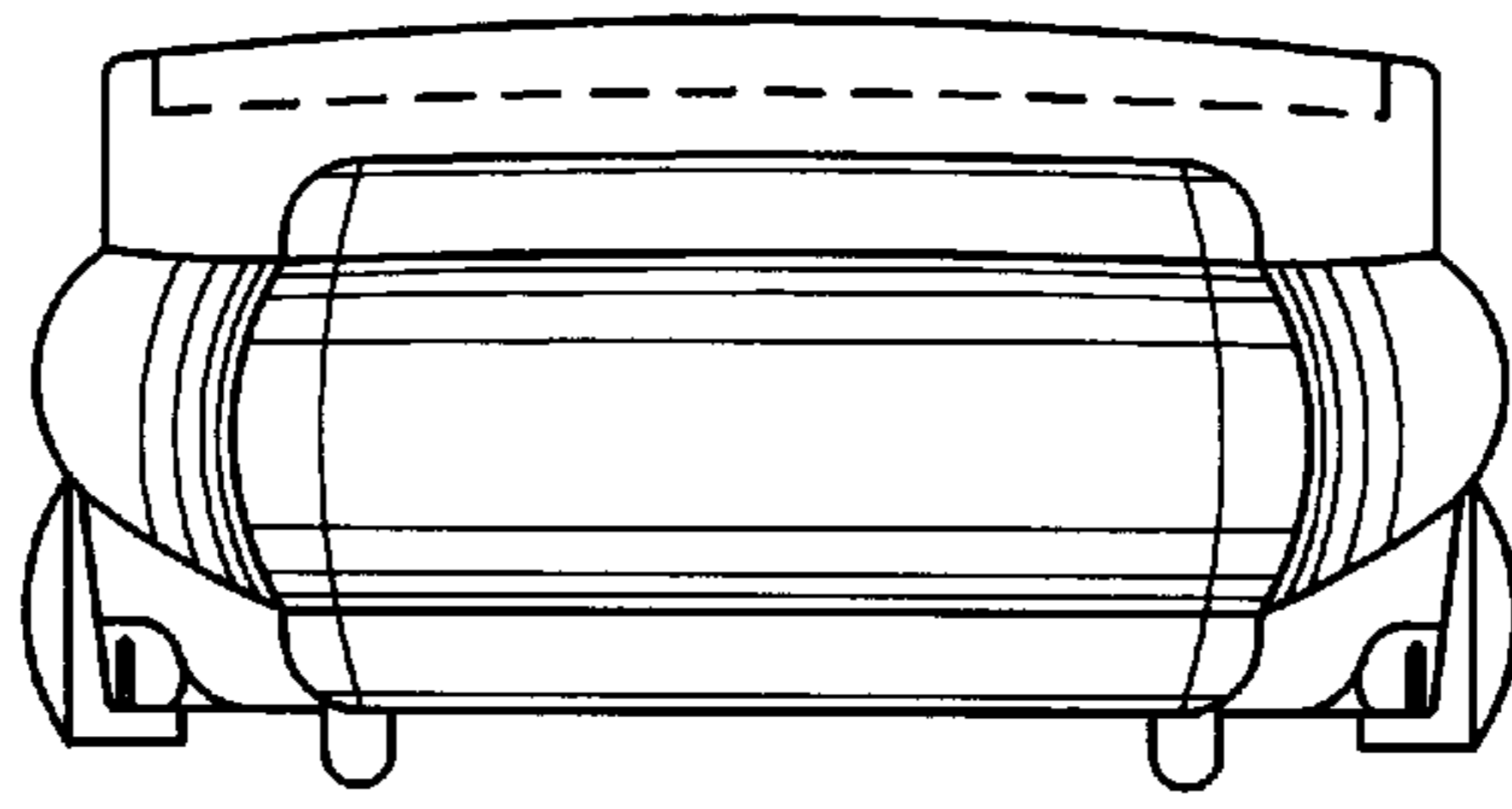


FIG. 22

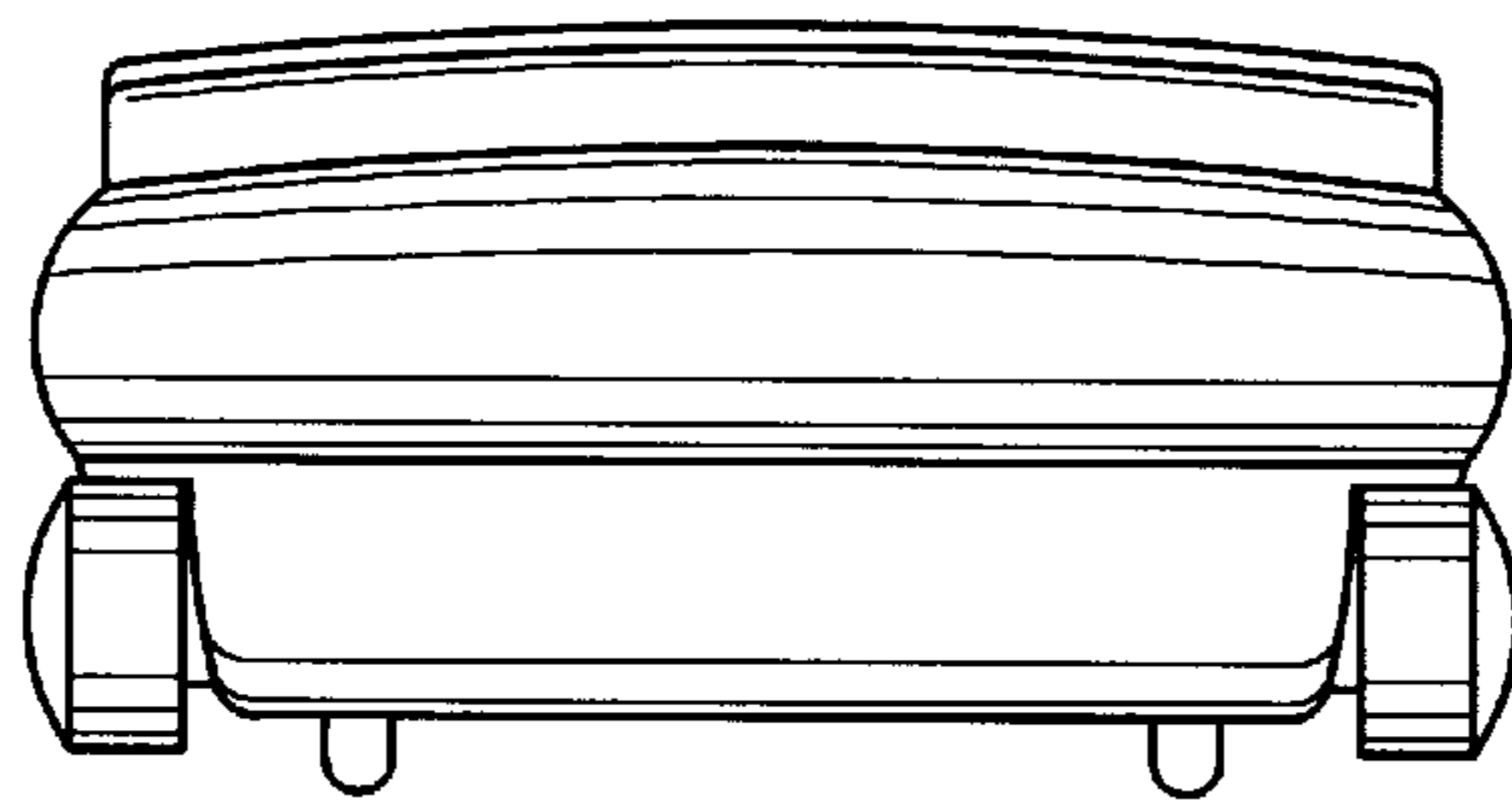


FIG. 23

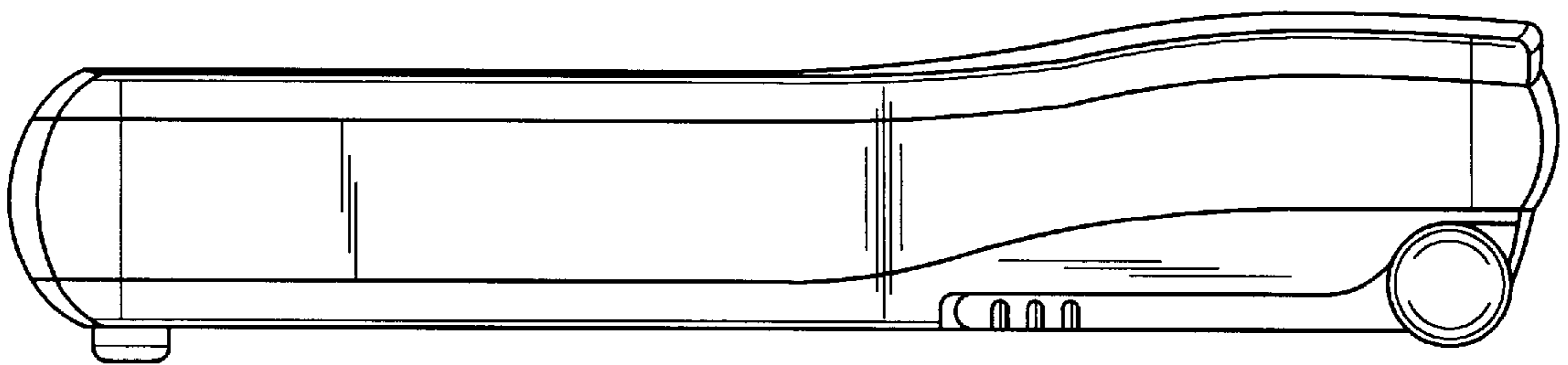


FIG. 24

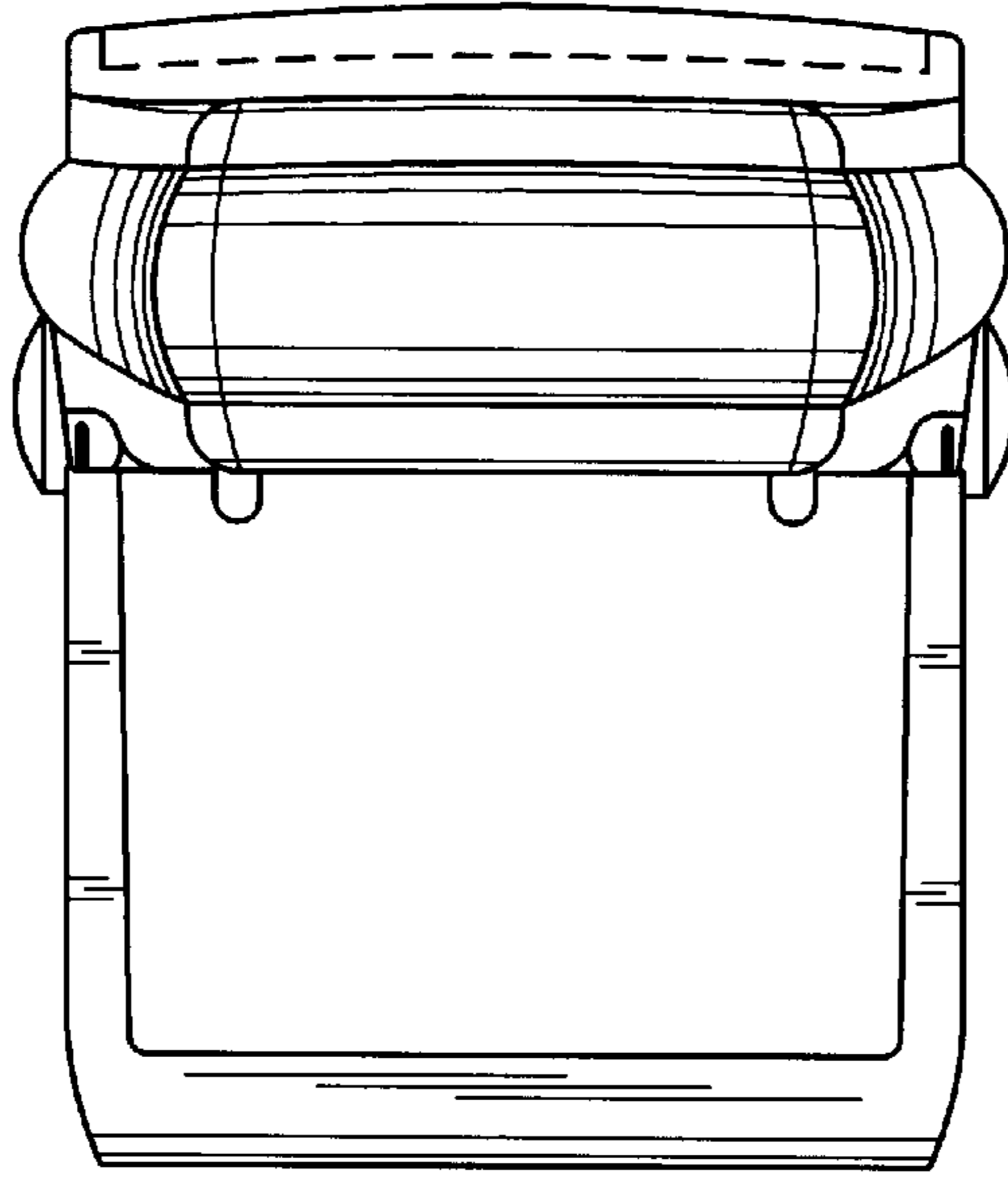


FIG. 25

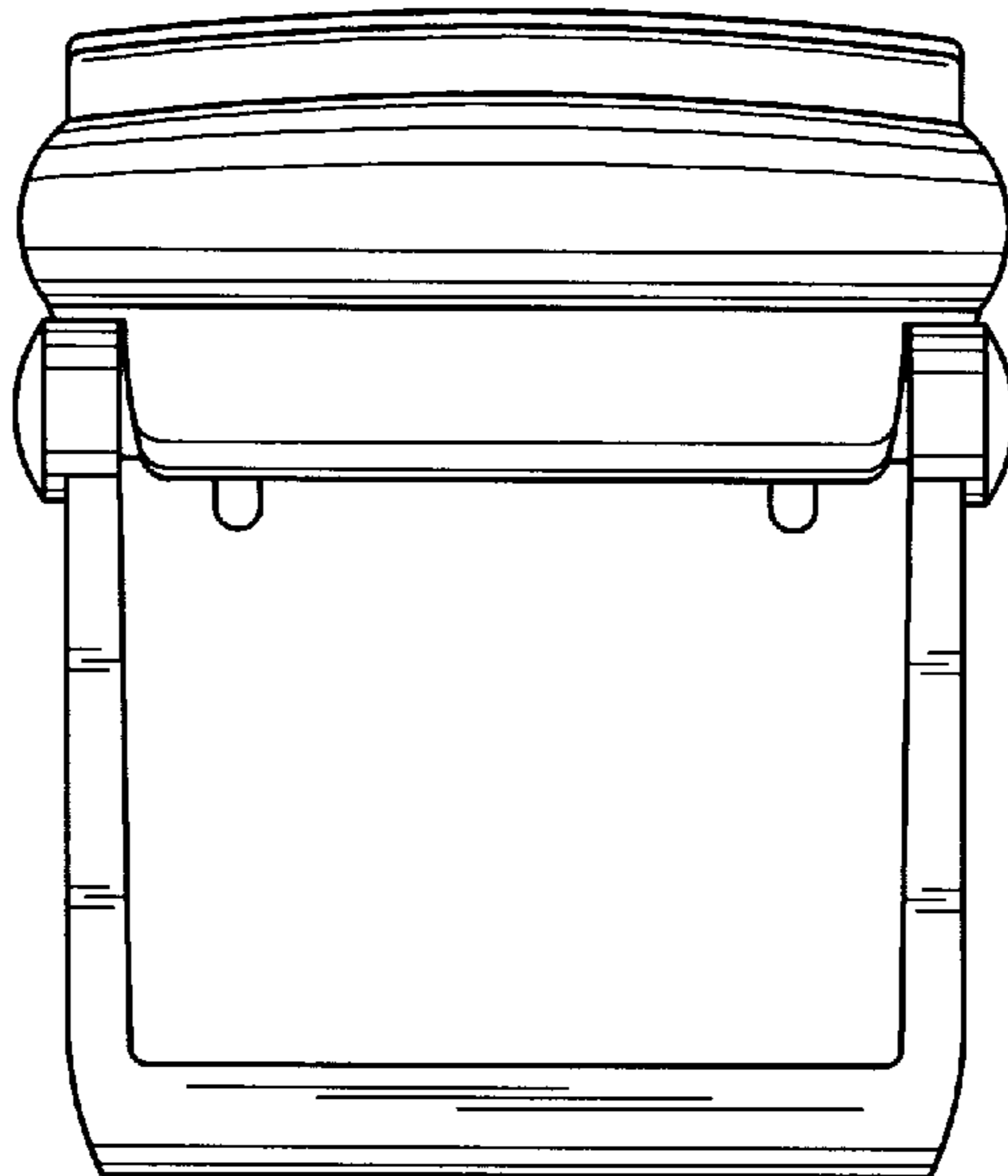


FIG. 26

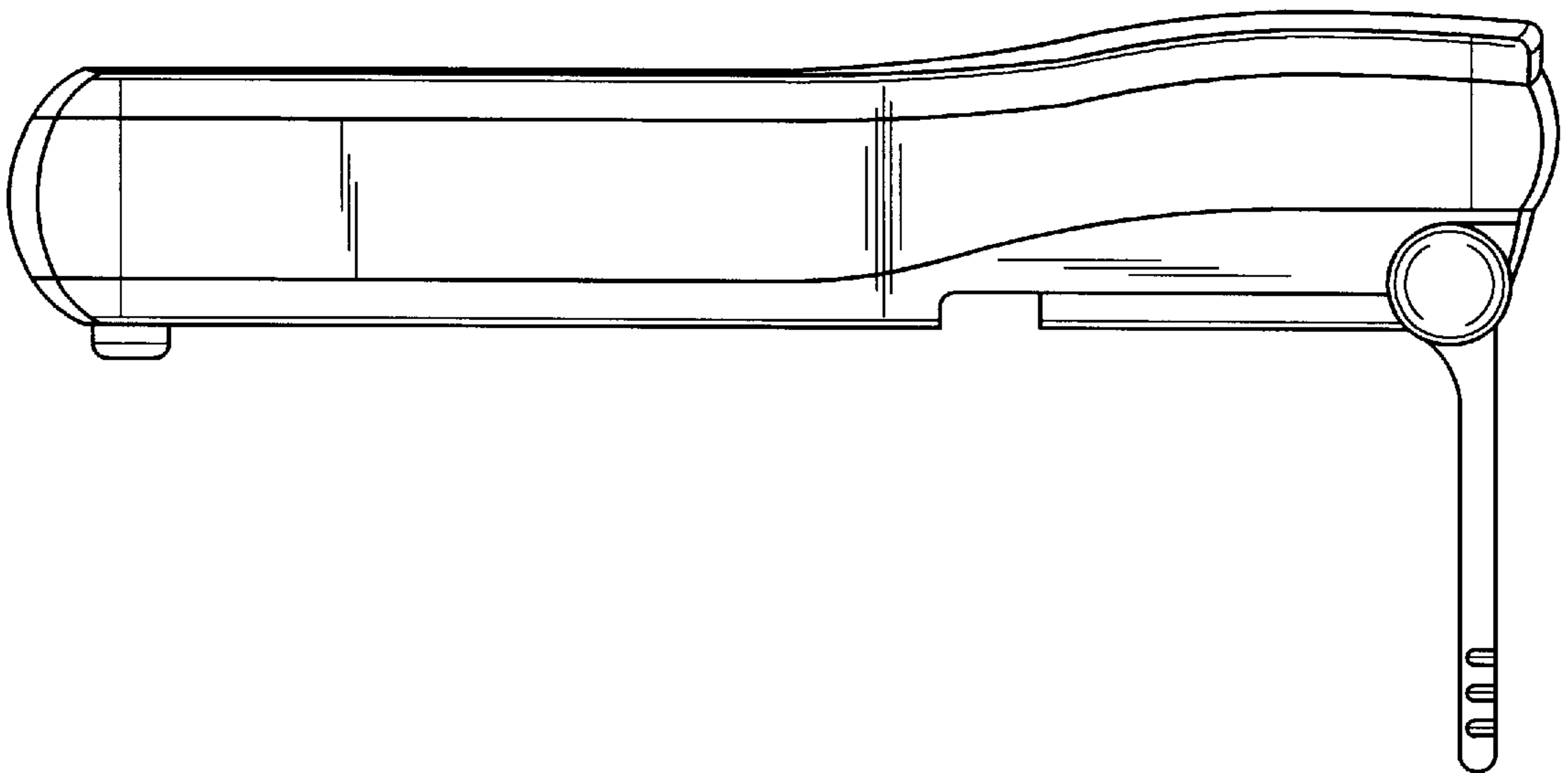


FIG. 27

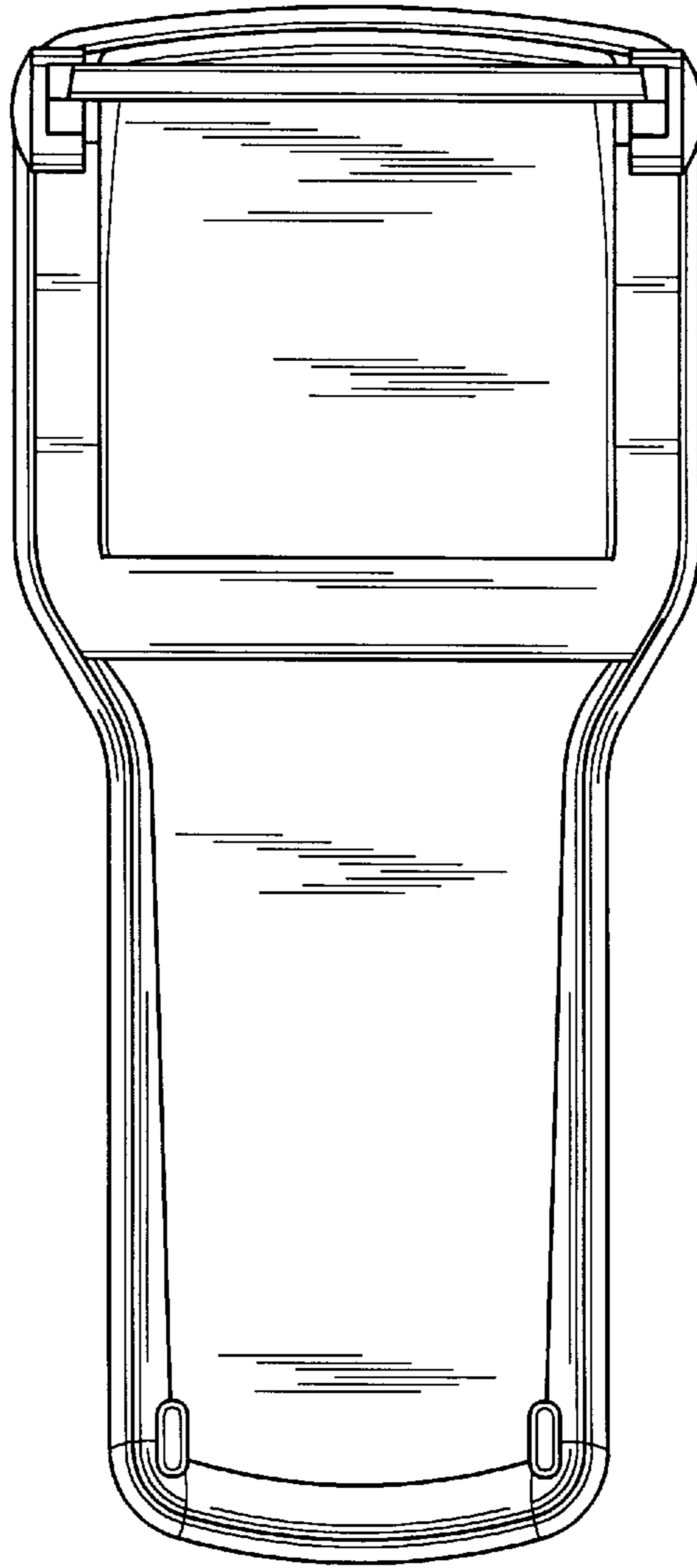


FIG. 28