



US00D399772S

United States Patent [19]

Sanden

[11] Patent Number: Des. 399,772

[45] Date of Patent: **Oct. 20, 1998

[54] **ADJUSTABLE TELESCOPIC EXTENSION DEVICE ADAPTER FOR CONTRACTOR LEVEL**

[75] Inventor: **Jeffrey S. Sanden**, 14600 Riverside Rd., Lincolnshire, Ill. 60069

[73] Assignee: **Jeffrey S. Sanden**, Lincolnshire, Ill.

[**] Term: **14 Years**

[21] Appl. No.: **82,618**

[22] Filed: **Jan. 27, 1998**

[51] **LOC (6) Cl.** **10-04**

[52] **U.S. Cl.** **D10/74; D10/69**

[58] **Field of Search** **D10/62, 69; 33/374, 33/375, 376, 809; 248/229.25**

[56] References Cited

U.S. PATENT DOCUMENTS

| | | | |
|-----------|--------|-----------------|------------|
| 478,309 | 7/1892 | Burchinal | 33/376 |
| 1,264,484 | 4/1918 | Bridgeman | 248/229.25 |
| 1,620,469 | 3/1927 | Kirkhoff | 33/376 |

Primary Examiner—Antoine Duval Davis

[57] CLAIM

The ornamental design for an adjustable telescopic extension device adapter for contractor level, as shown and described.

DESCRIPTION

FIG. 1 is a front elevational plan view of an adjustable telescopic extension device adapter for contractor level showing my new design;

FIG. 2 is a right side elevational plan view thereof;

FIG. 3 is a left side elevational plan view thereof;

FIG. 4 is a bottom side elevational plan view of FIG. 2 thereof;

FIG. 5 is a perspective view of the adjustable telescopic extension device adapter for contractor level in a condition of use;

FIG. 6 is a modified front elevational plan view embodiment of an adjustable telescopic extension device adapter for contractor level showing my new design;

FIG. 7 is a left side elevational plan view thereof;

FIG. 8 is a right side elevational plan view thereof;

FIG. 9 is a bottom elevational plan view thereof;

FIG. 10 is perspective view of FIG. 6 of an adjustable telescopic extension device for contractor level showing my new design in a condition of use;

FIG. 11 is another modified front elevational plan view of an adjustable telescopic extension device adapter for contractor level showing my new design;

FIG. 12 is a right side elevational plan view thereof;

FIG. 13 is a left side elevational plan view thereof;

FIG. 14 is a bottom elevational plan view thereof;

FIG. 15 is a perspective view of FIG. 11 of an adjustable telescopic extension device adapter for contractor level;

FIG. 16 is still another front elevational plan view of an adjustable telescopic extension device adapter for contractor level showing my new design;

FIG. 17 is a left side elevational plan view thereof;

FIG. 18 is a right side elevational plan view thereof;

FIG. 19 is a bottom elevational plan view thereof; and,

FIG. 20 is a perspective view of FIG. 16 of an adjustable telescopic extension device for contractor level showing my new design in a condition of use.

The broken line in FIGS. 1, 2, 3, 5, 6, 7, 8, 10, 11, 12, 13, 15, 16, 17, 18 and 20 is for illustrative purposes only and forms no part of the claimed design.

The opposite side of FIGS. 1, 4, 5, 6, 9, 10, 11, 15, 16 and 20 are mirror images of the respective FIGURE drawings thereof.

1 Claim, 4 Drawing Sheets

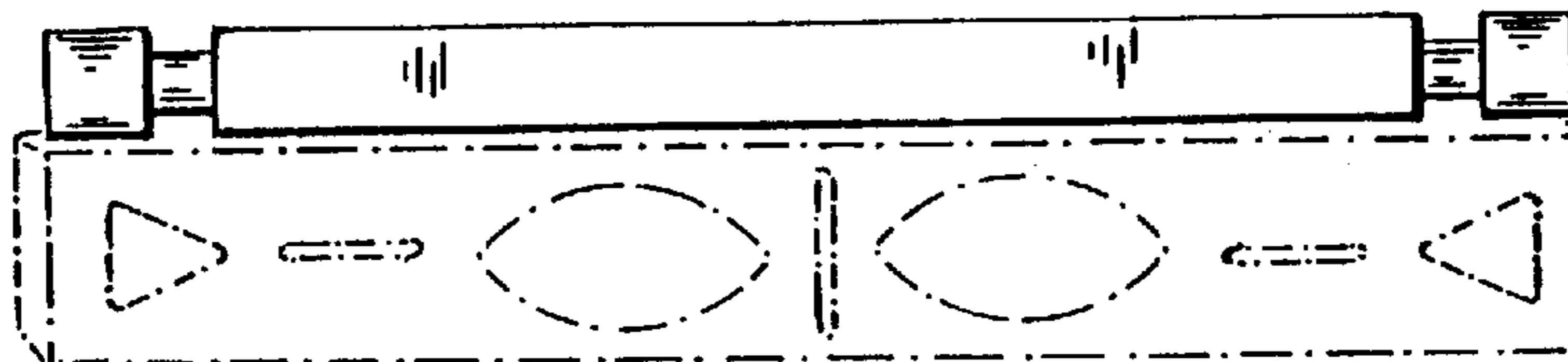


FIG. 4



FIG. 1

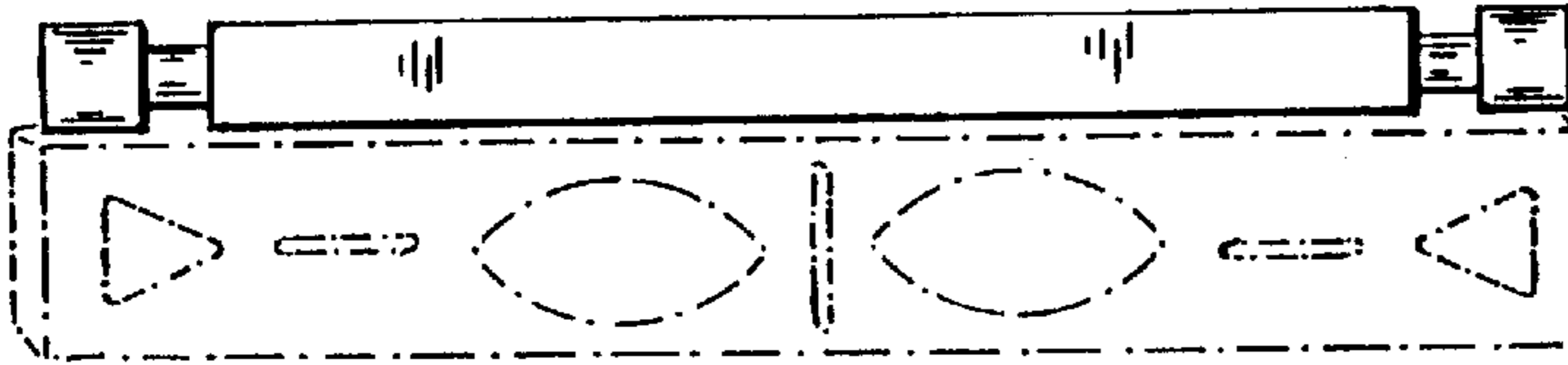


FIG. 5

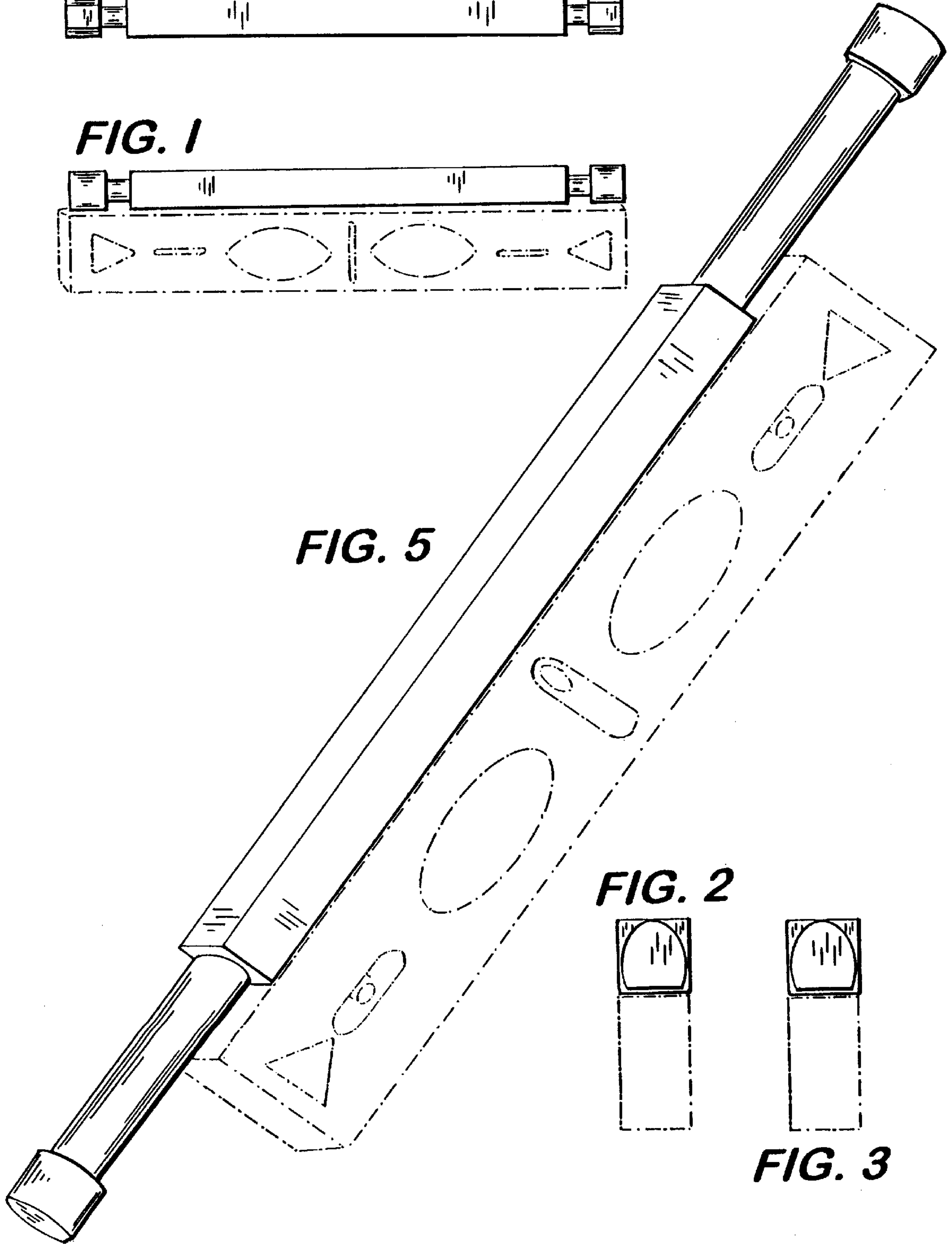


FIG. 2

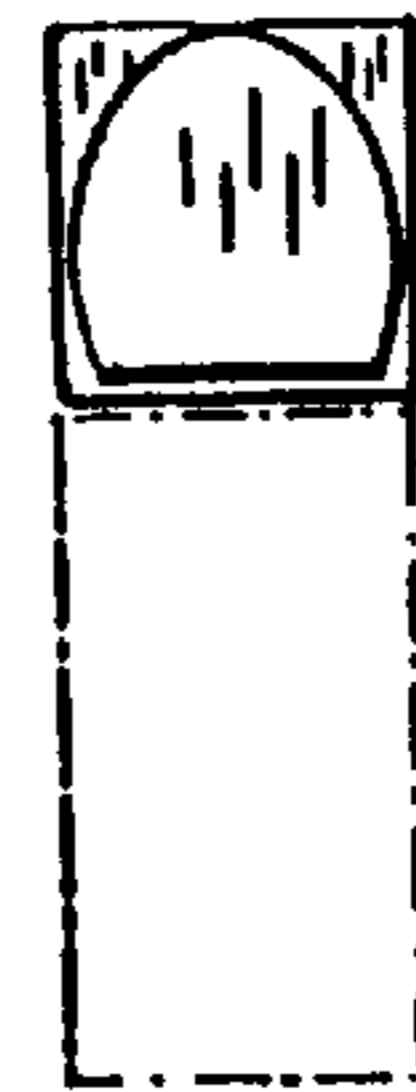


FIG. 3

FIG. 9



FIG. 6

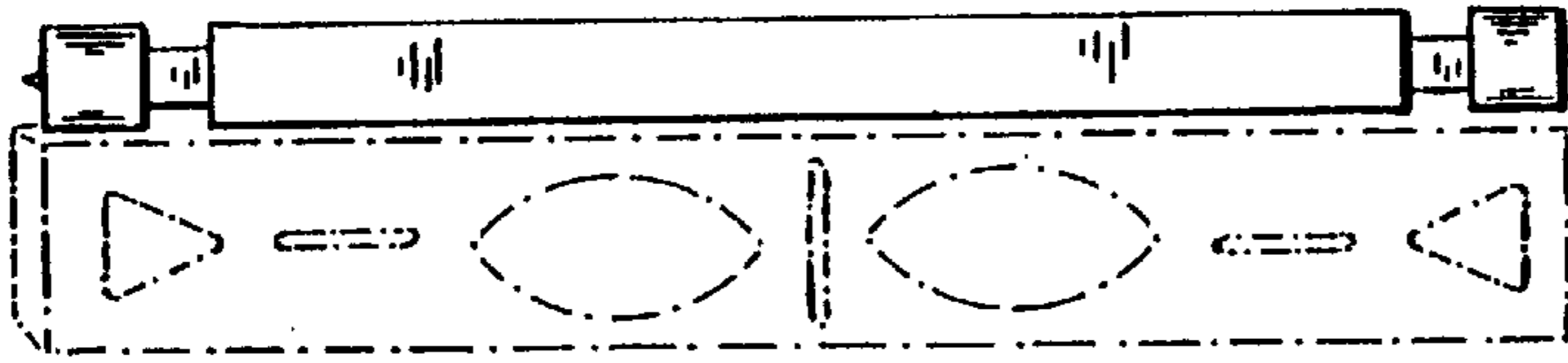


FIG. 10

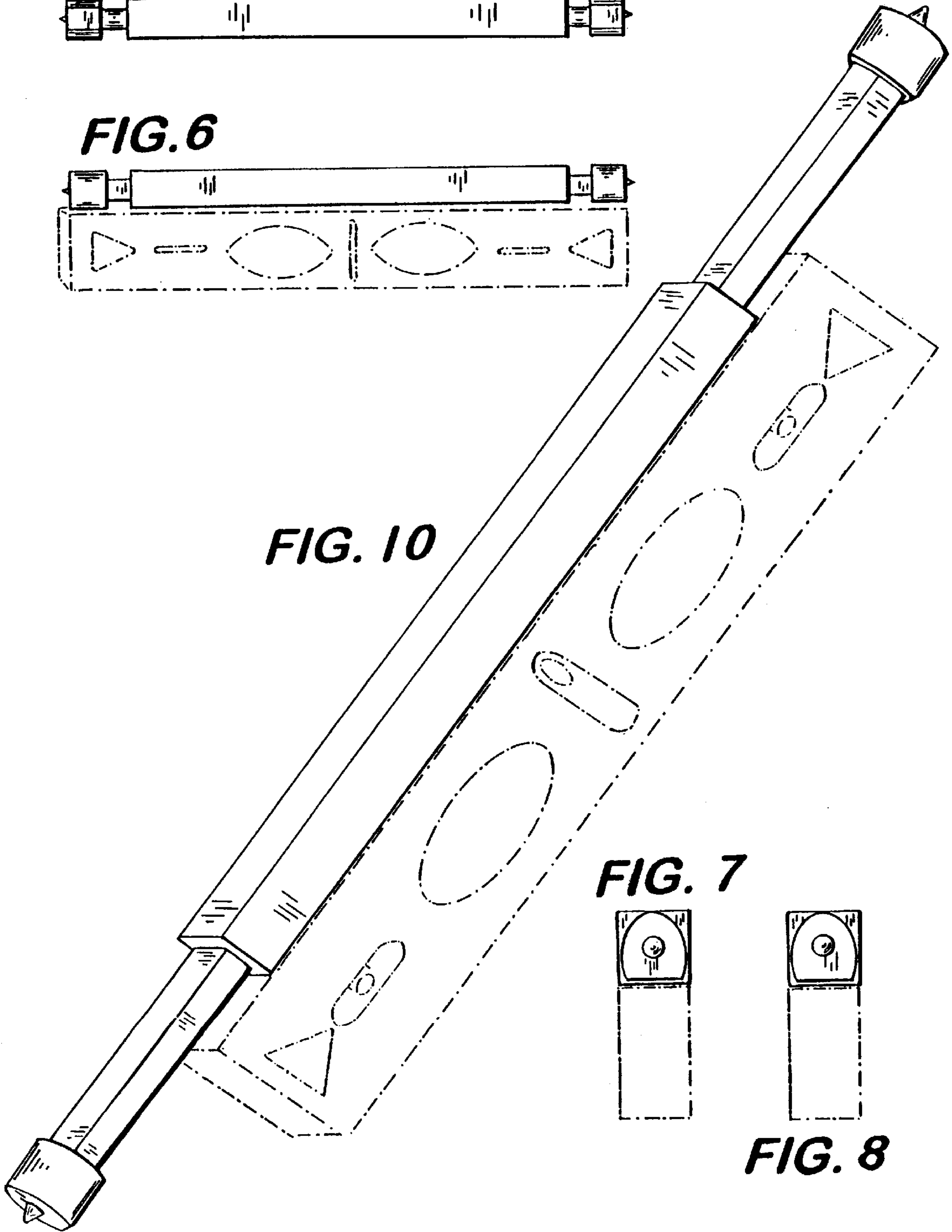


FIG. 7

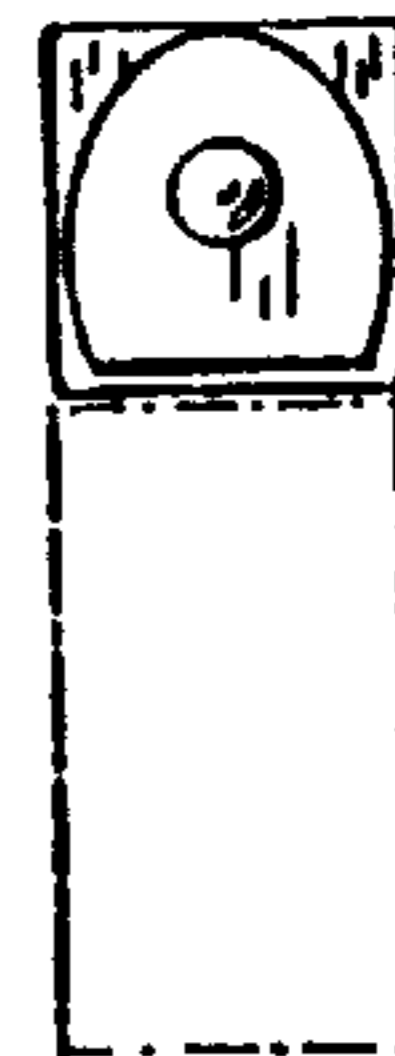


FIG. 8

FIG. 12

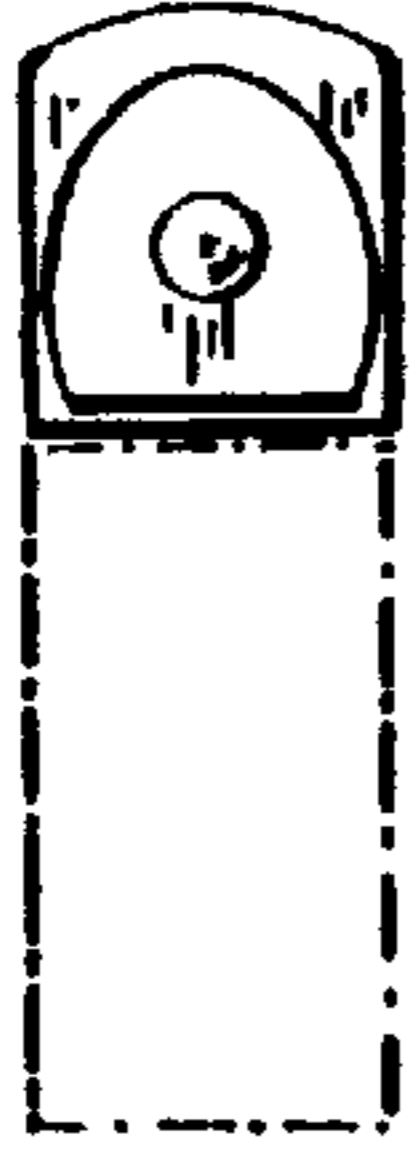


FIG. 13

FIG. 15

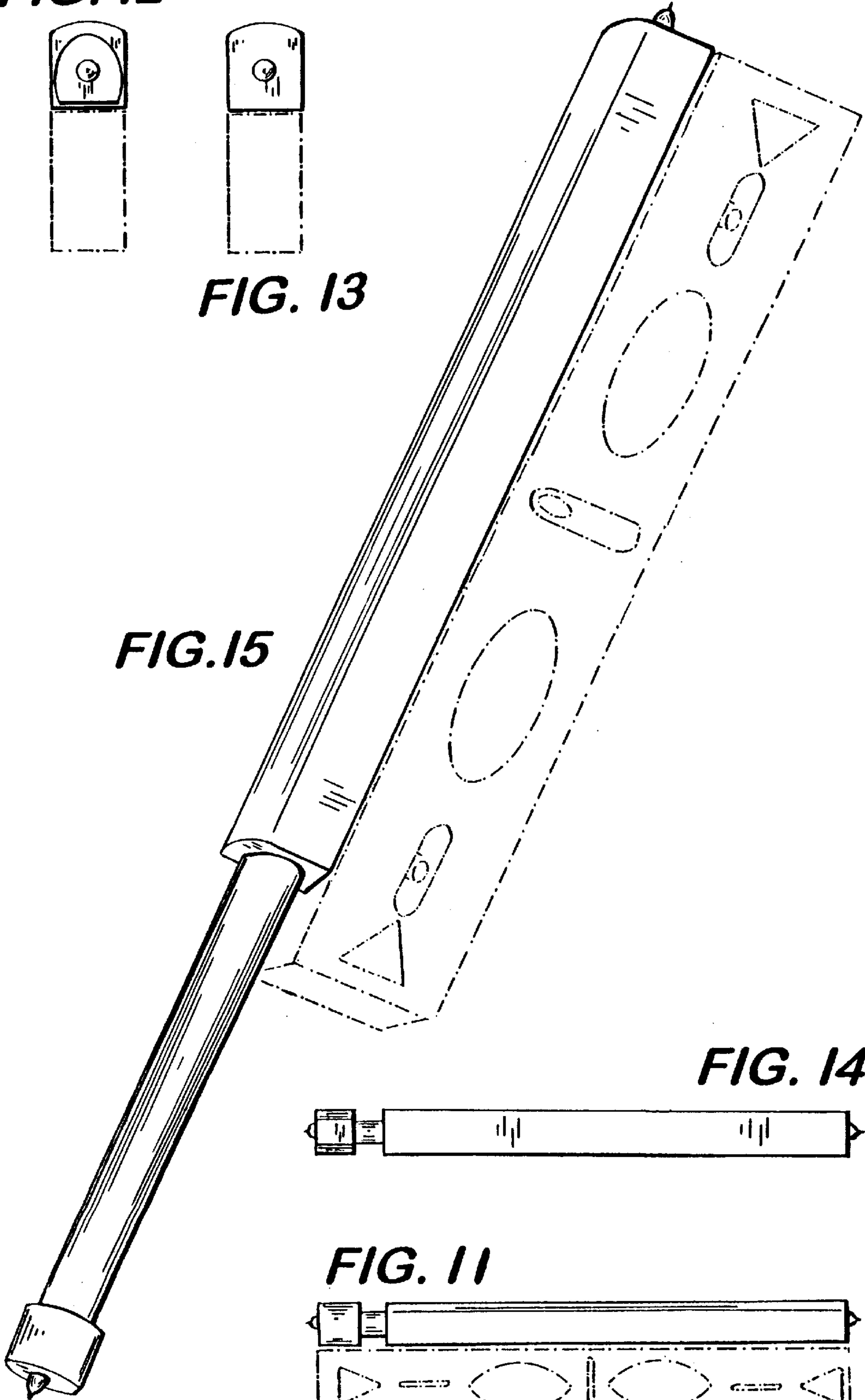


FIG. 14



FIG. 11

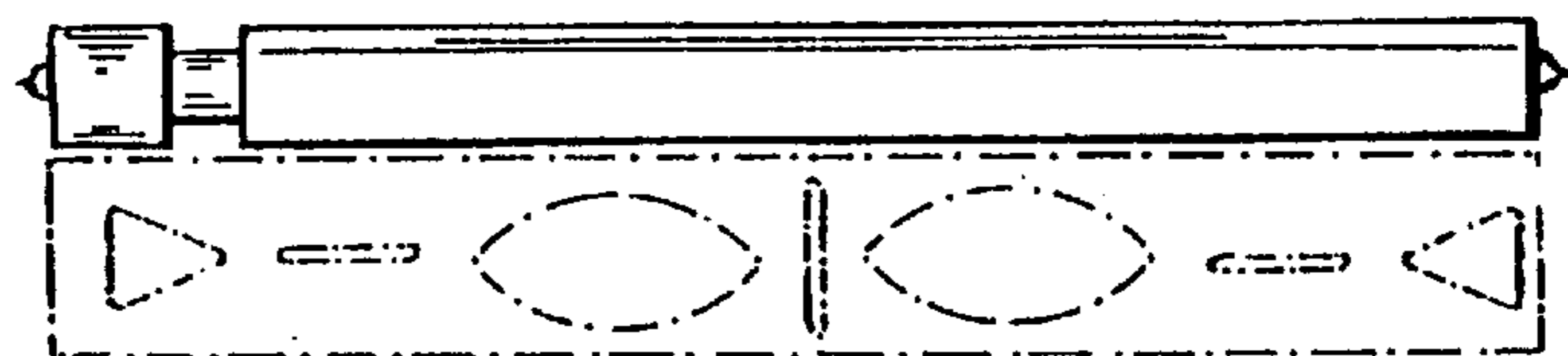


FIG. 17

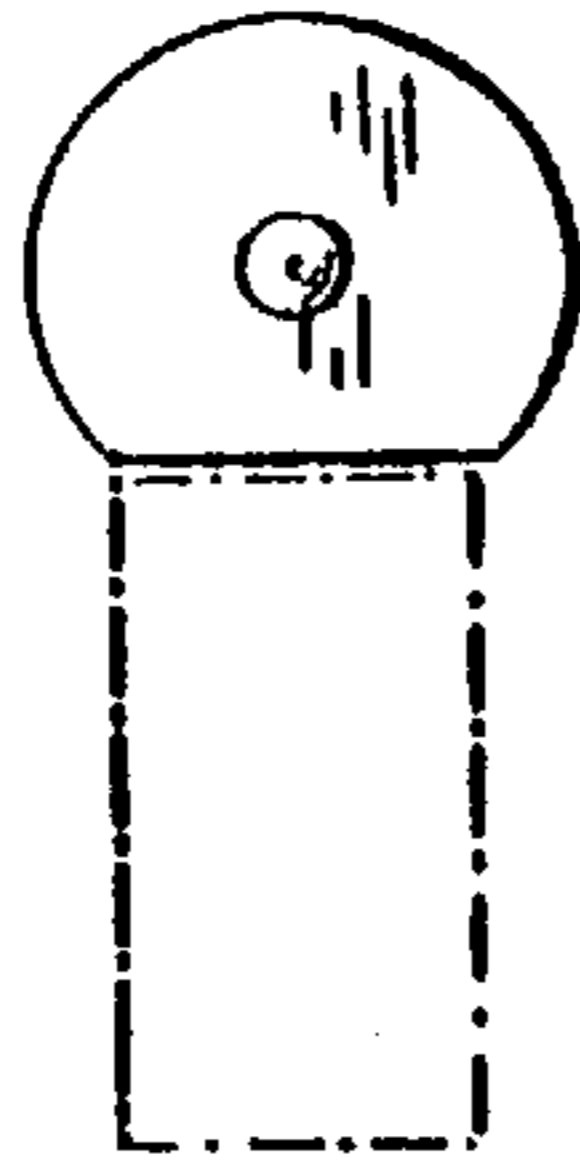
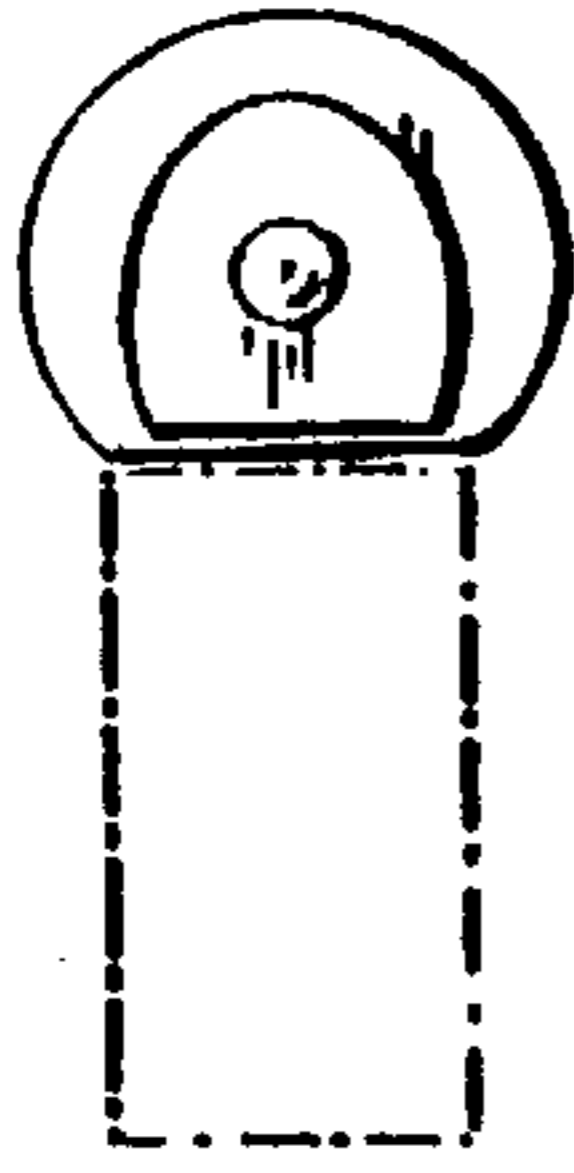


FIG. 18

FIG. 20

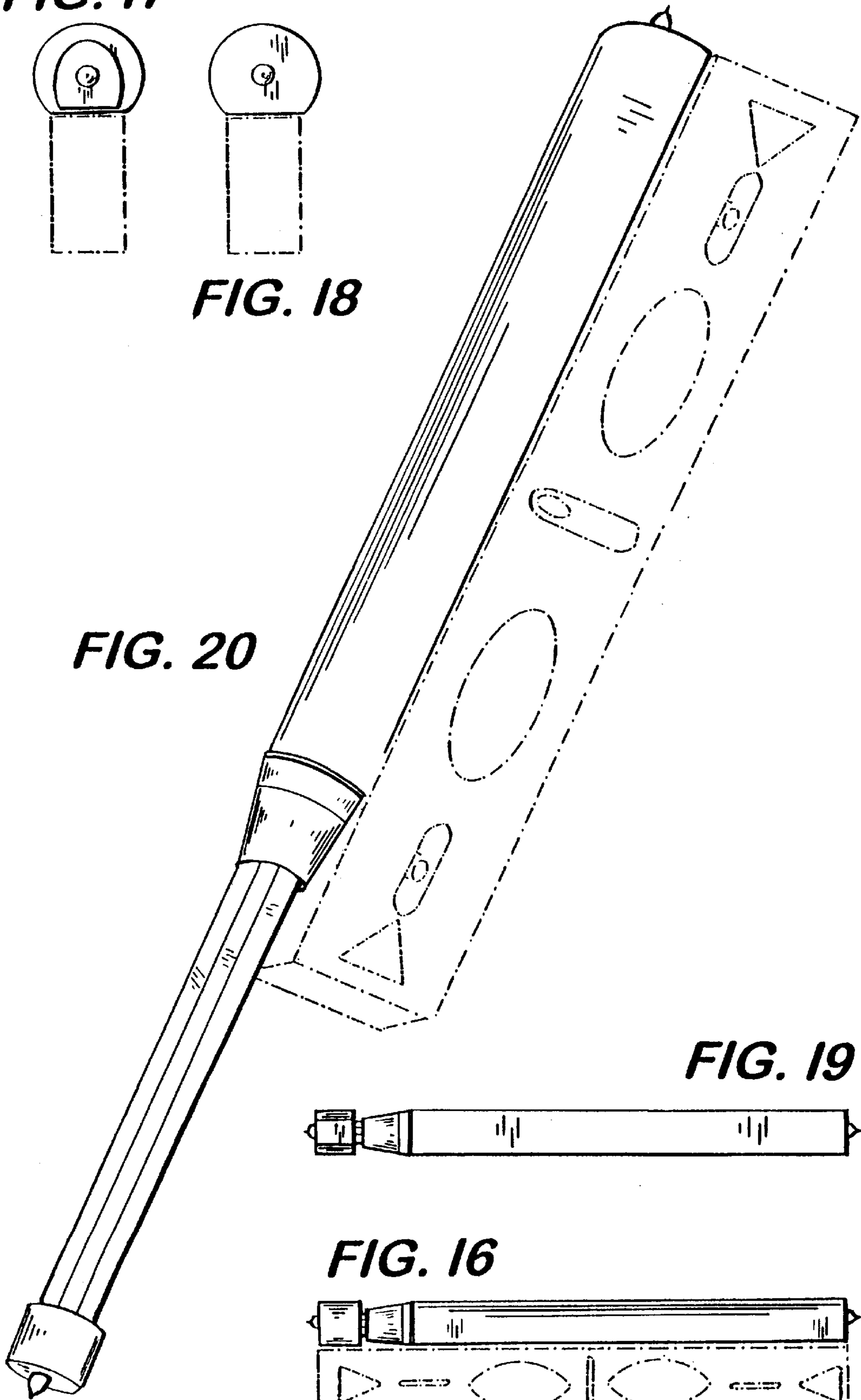


FIG. 19



FIG. 16

