

US00D399770S

United States Patent [19]
Adler

[11] **Patent Number: Des. 399,770**

[45] **Date of Patent: **Oct. 20, 1998**

[54] **DIGITAL DRUM GAGE**

[75] **Inventor: Jonathan Adler, Great Neck, N.Y.**

[73] **Assignee: Flexbar Machine Corporation,
Islandia, N.Y.**

[**] **Term: 14 Years**

[21] **Appl. No.: 77,775**

[22] **Filed: Oct. 9, 1997**

[51] **LOC (6) Cl. 10-04**

[52] **U.S. Cl. D10/73**

[58] **Field of Search D10/64, 70, 71,
D10/73; 33/796, 610, 794, 203.13, 609**

[56] **References Cited**

U.S. PATENT DOCUMENTS

4,718,850 1/1988 Knebelman D10/73 X

Primary Examiner—Antoine Duval Davis
Attorney, Agent, or Firm—Charles I. Brodsky

[57] **CLAIM**

The ornamental design for a digital drum gage, as shown and described.

DESCRIPTION

FIG. 1 is a perspective view of a digital drum gage showing my new design;

FIG. 2 is a front elevation view thereof;

FIG. 3 is a rear elevation view;

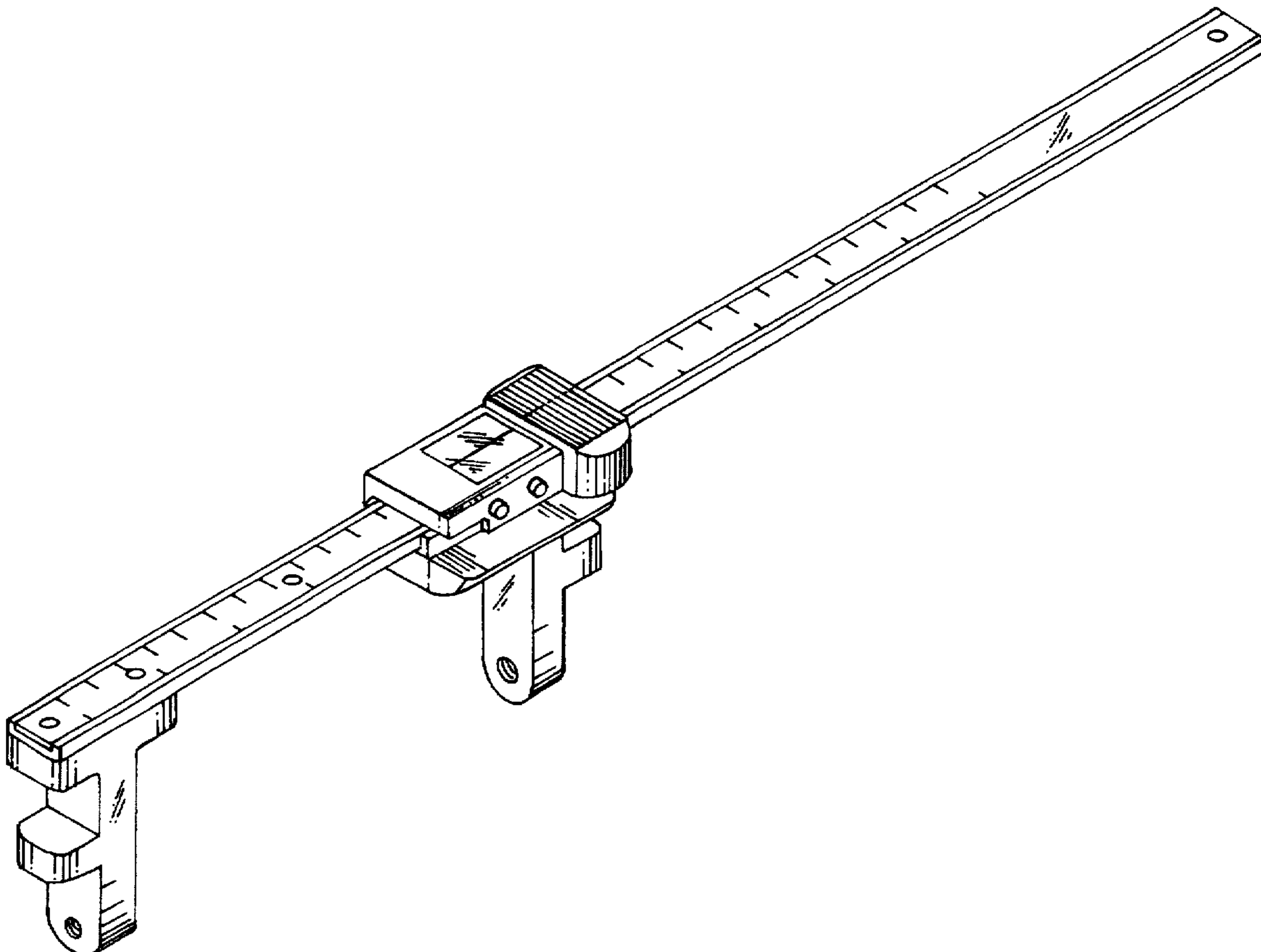
FIG. 4 is a right side elevation view, showing my new design;

FIG. 5 is a left side elevation view;

FIG. 6 is a top plan view thereof; and,

FIG. 7 is a bottom plan view.

1 Claim, 4 Drawing Sheets



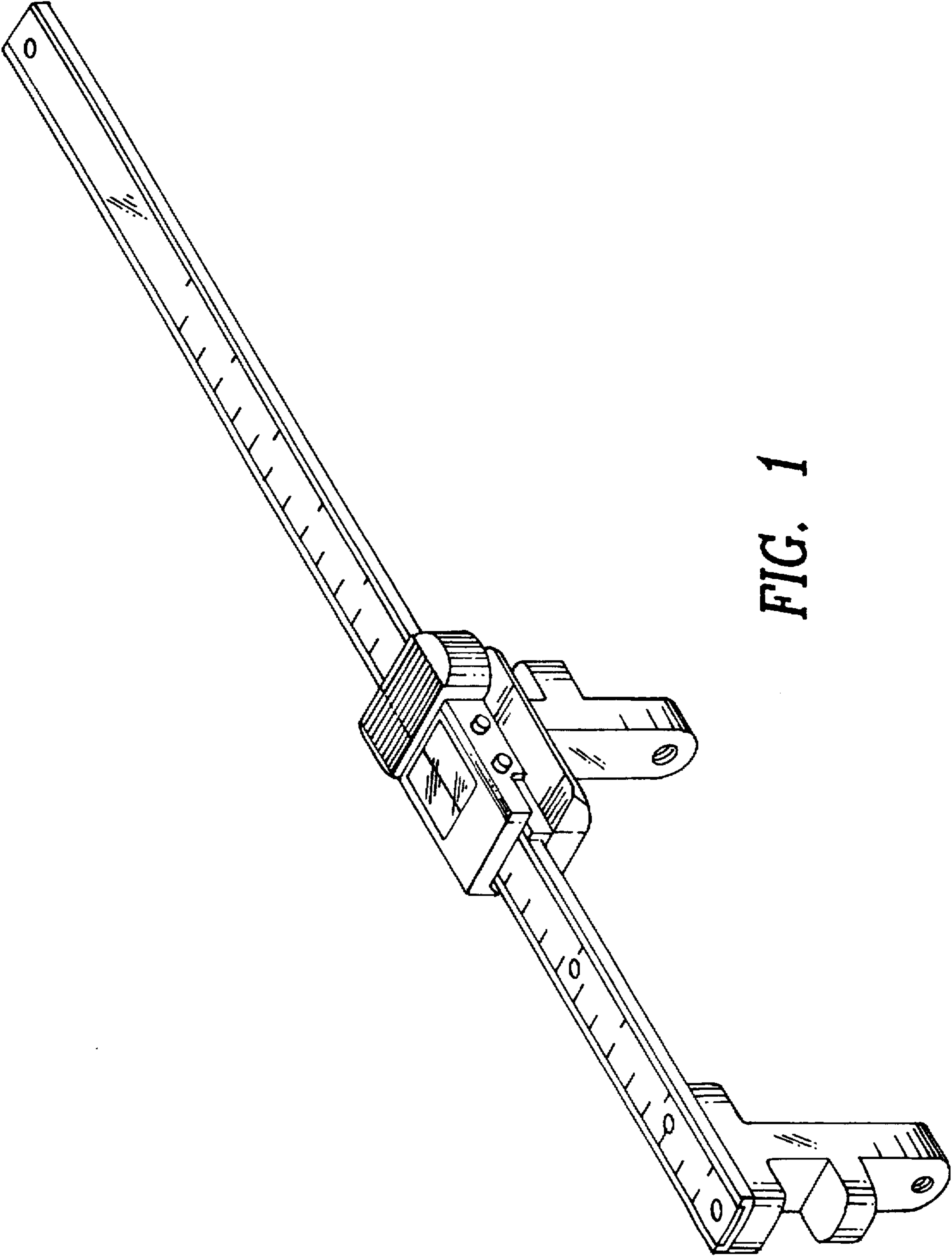


FIG. 1

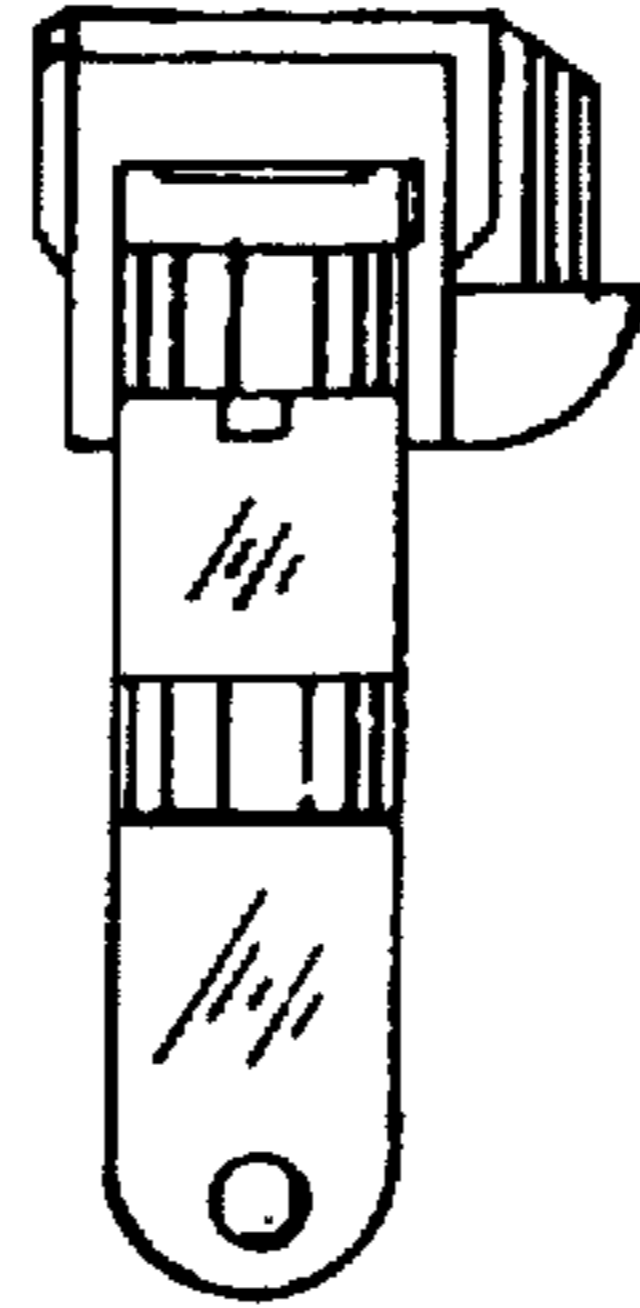


FIG. 2

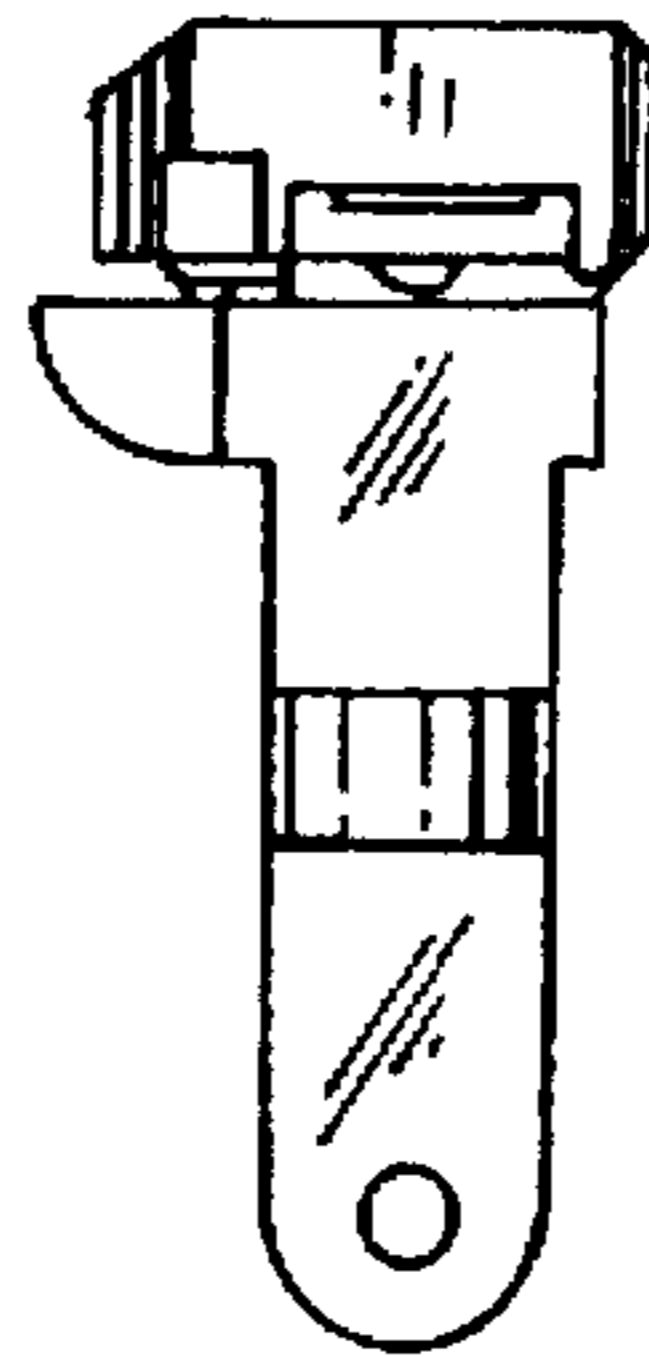


FIG. 3

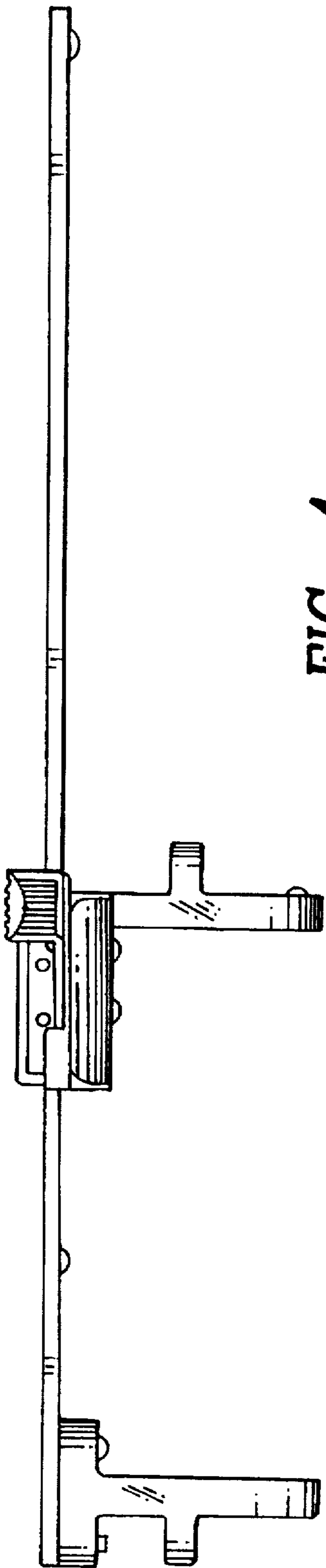


FIG. 4

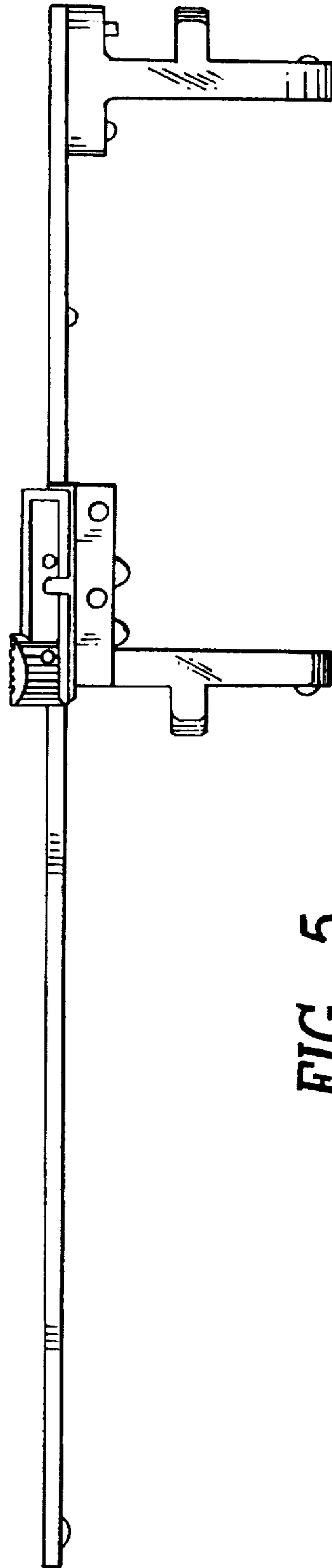


FIG. 5

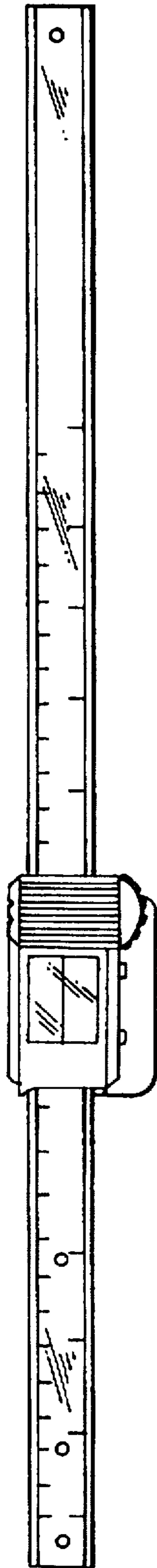


FIG. 6

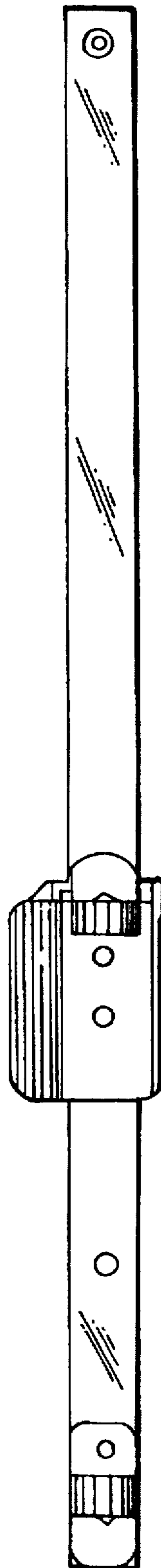


FIG. 7