



US00D399760S

# United States Patent [19] Riley

[11] **Patent Number: Des. 399,760**

[45] **Date of Patent: \*\*Oct. 20, 1998**

[54] **LUG INSERT, CASE AND STRAP**

D. 380,395 7/1997 Lassigne ..... D10/32  
2,518,163 8/1950 Miegars .

[75] Inventor: **Judith Reichel Riley**, Goshen, Conn.

### OTHER PUBLICATIONS

[73] Assignee: **Timex Corporation**, Middlebury, Conn.

*Hong Kong Enterprise*—Jun. 1992—p. 81—watch at center.

[\*\*] Term: **14 Years**

*Primary Examiner*—Nelson C. Holtje  
*Attorney, Agent, or Firm*—Arthur G. Schaier

[21] Appl. No.: **77,158**

### [57] CLAIM

[22] Filed: **Jul. 16, 1997**

The ornamental design for a “lug insert, case and strap,” as shown and described.

[51] **LOC (6) Cl.** ..... **10-02**

[52] **U.S. Cl.** ..... **D10/32**

[58] **Field of Search** ..... D10/1-40, 122-132;  
D11/3-25; 63/1.1, 3, 5, 11; 368/276-277,  
280-282, 285

### DESCRIPTION

### [56] References Cited

#### U.S. PATENT DOCUMENTS

D. 309,113 7/1990 Schaefer ..... D10/32  
D. 332,408 1/1993 Chodat ..... D10/30  
D. 361,523 8/1995 Bulgari ..... D10/32  
D. 363,029 10/1995 Magninat ..... D10/39  
D. 363,236 10/1995 Burgener ..... D10/39

FIG. 1 is a perspective elevational view of a “lug insert, case and strap”;

FIG. 2 is a top plan view thereof;

FIG. 3 is a right side elevational view thereof;

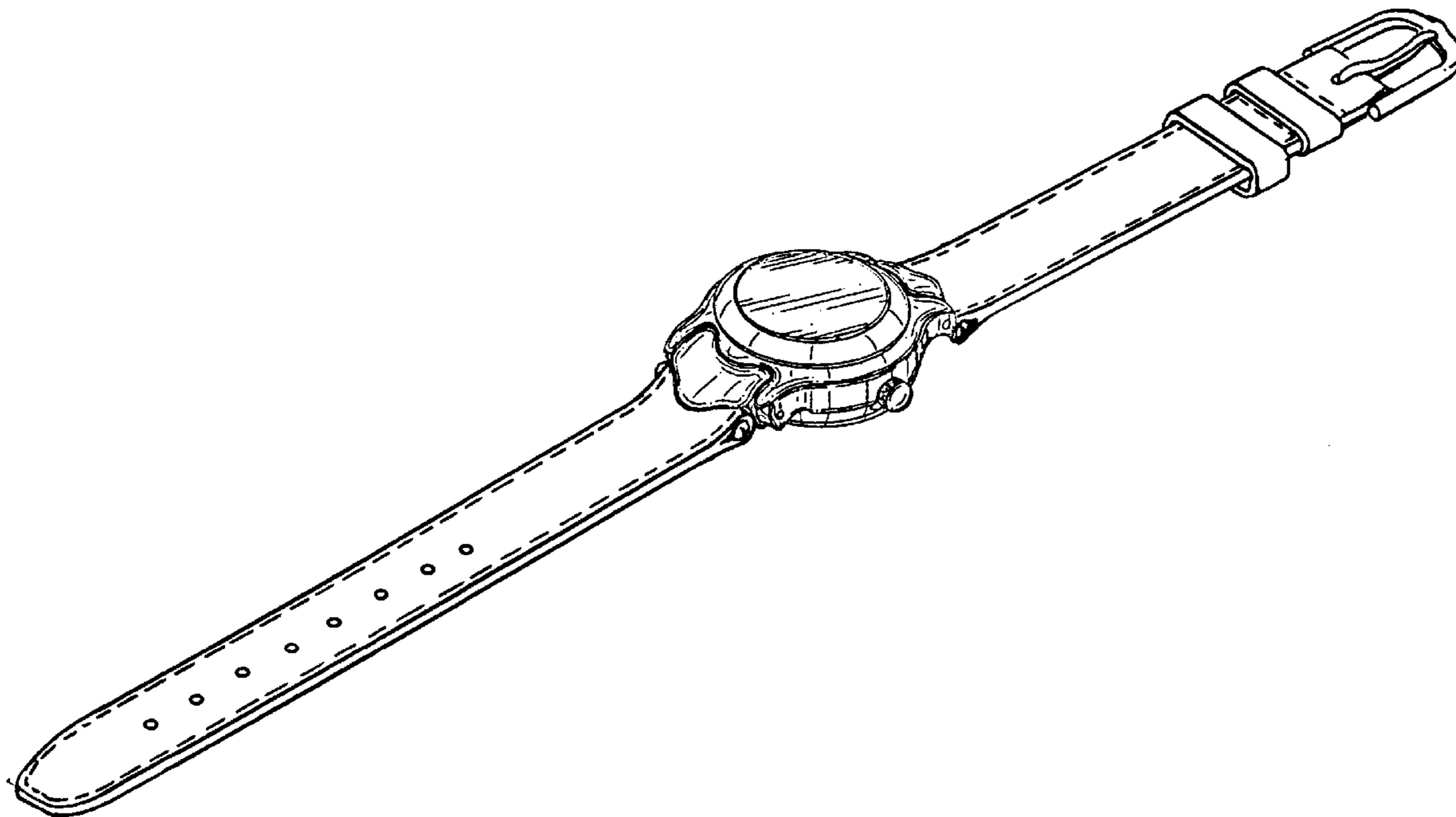
FIG. 4 is a bottom plan view thereof;

FIG. 5 is a left side elevational view thereof;

FIG. 6 is an end elevational view thereof; and,

FIG. 7 is the other end elevational view thereof.

**1 Claim, 2 Drawing Sheets**



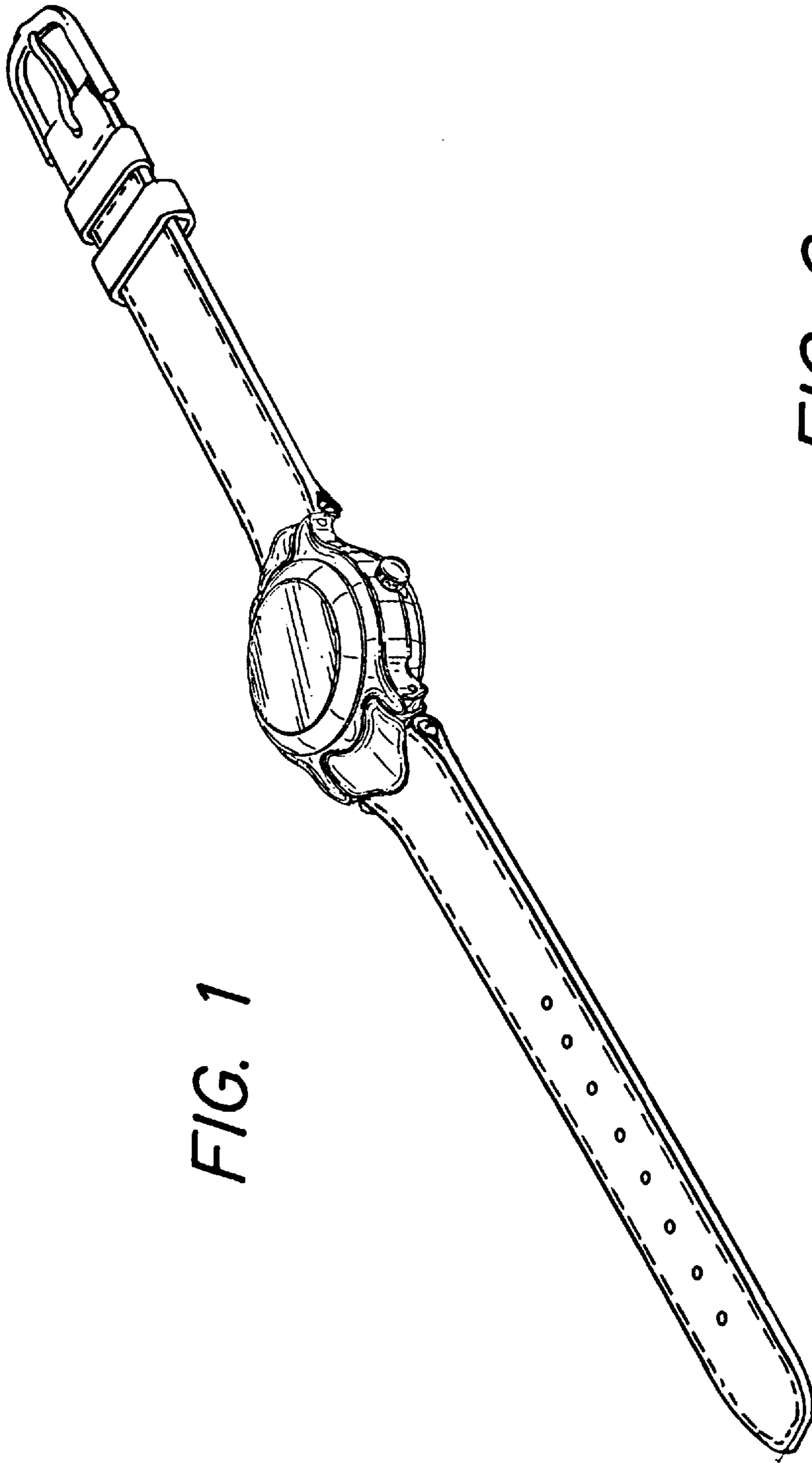


FIG. 1

FIG. 7

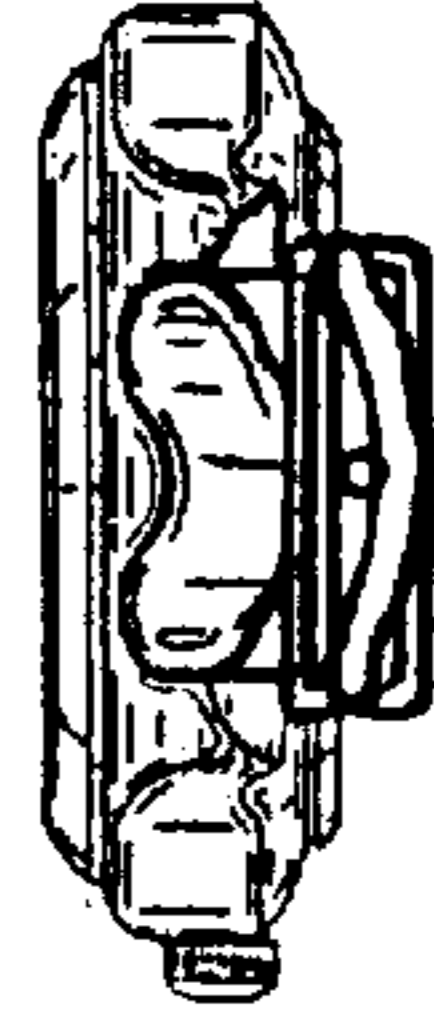


FIG. 6



FIG. 2

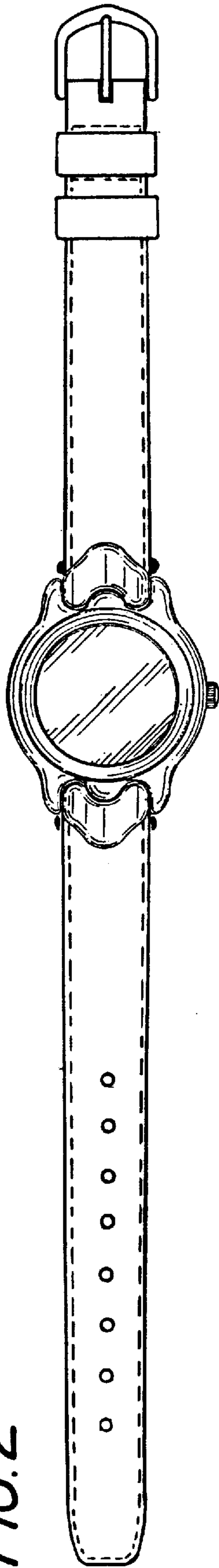


FIG. 3

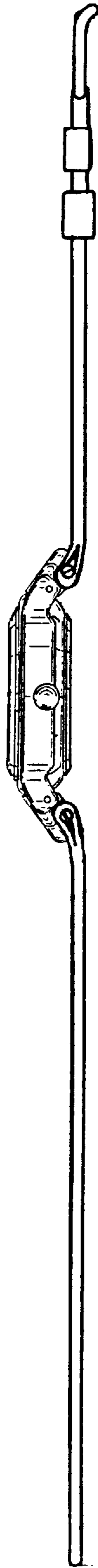


FIG. 4

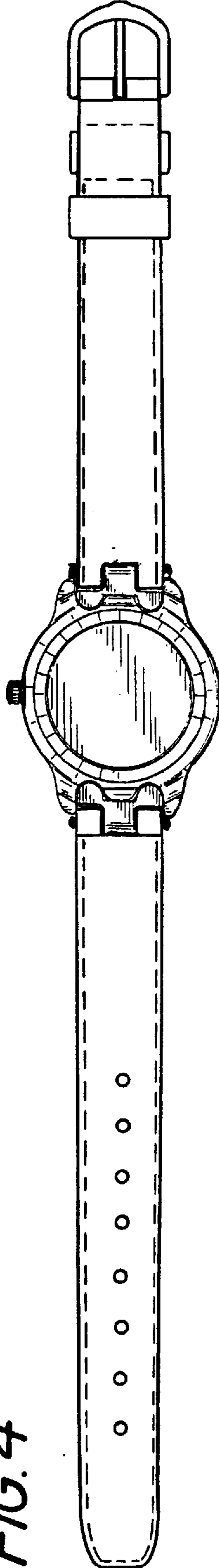


FIG. 5

