



US00D399759S

# United States Patent [19] Kennedy

[11] **Patent Number: Des. 399,759**

[45] **Date of Patent: \*\*Oct. 20, 1998**

[54] **BEZEL AND CASING FOR A WATCH**

D. 382,816 8/1997 Riley ..... D10/30  
3,018,611 1/1962 Biritz .  
3,307,346 3/1967 Klingenberg ..... 368/294

[75] Inventor: **Amelia Kennedy**, Woodbury, Conn.

[73] Assignee: **Timex Corporation**, Middlebury, Conn.

*Primary Examiner*—Nelson C. Holtje  
*Attorney, Agent, or Firm*—Arthur G. Schaier

[\*\*] Term: **14 Years**

### [57] CLAIM

[21] Appl. No.: **74,389**

The ornamental design for a “bezel and casing for a watch,” as shown and described.

[22] Filed: **Aug. 4, 1997**

[51] **LOC (6) Cl. .... 10-02**

[52] **U.S. Cl. .... D10/30**

[58] **Field of Search** ..... D10/1-40, 122-132;  
368/280-282, 276-277, 285

### DESCRIPTION

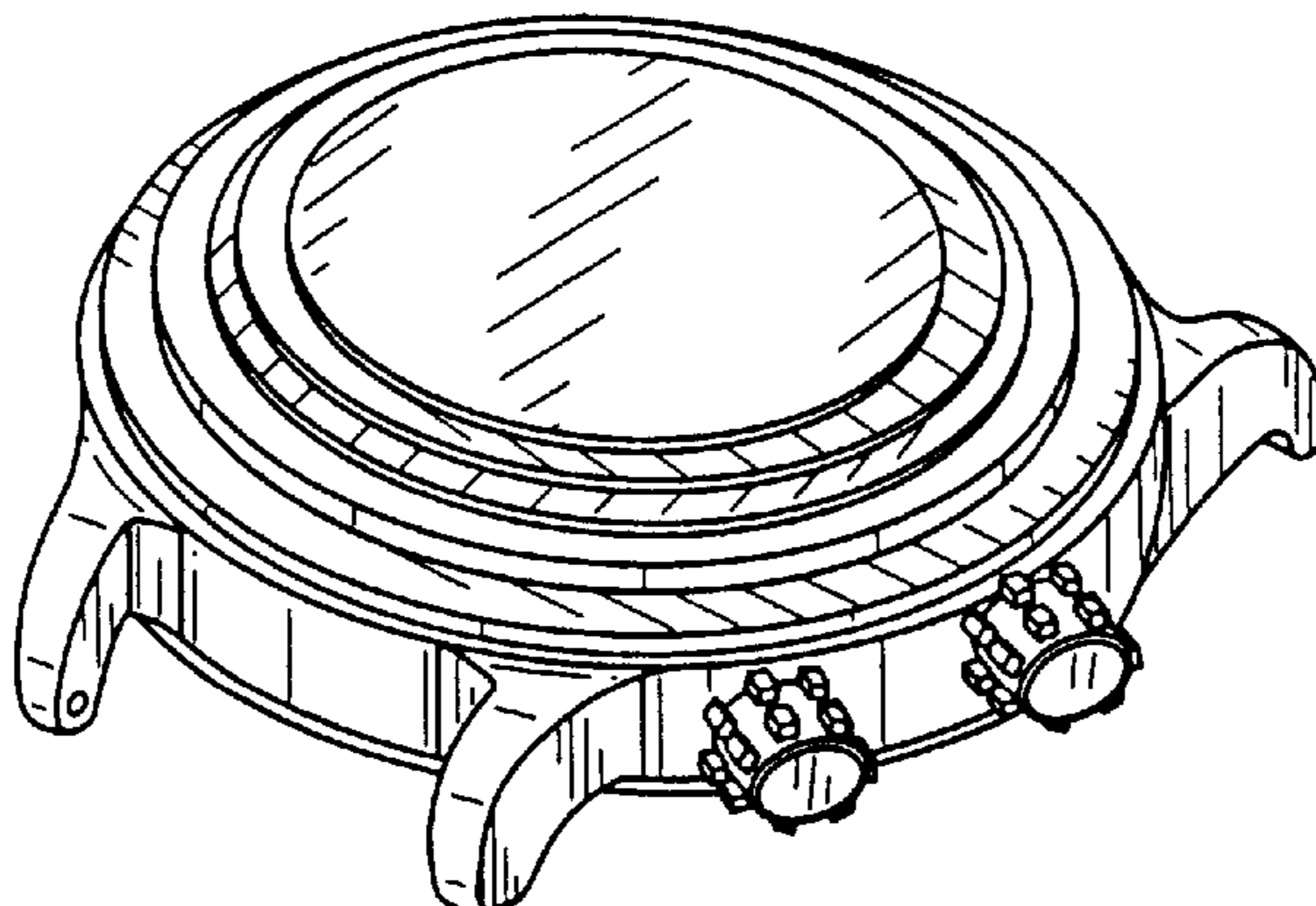
### [56] References Cited

#### U.S. PATENT DOCUMENTS

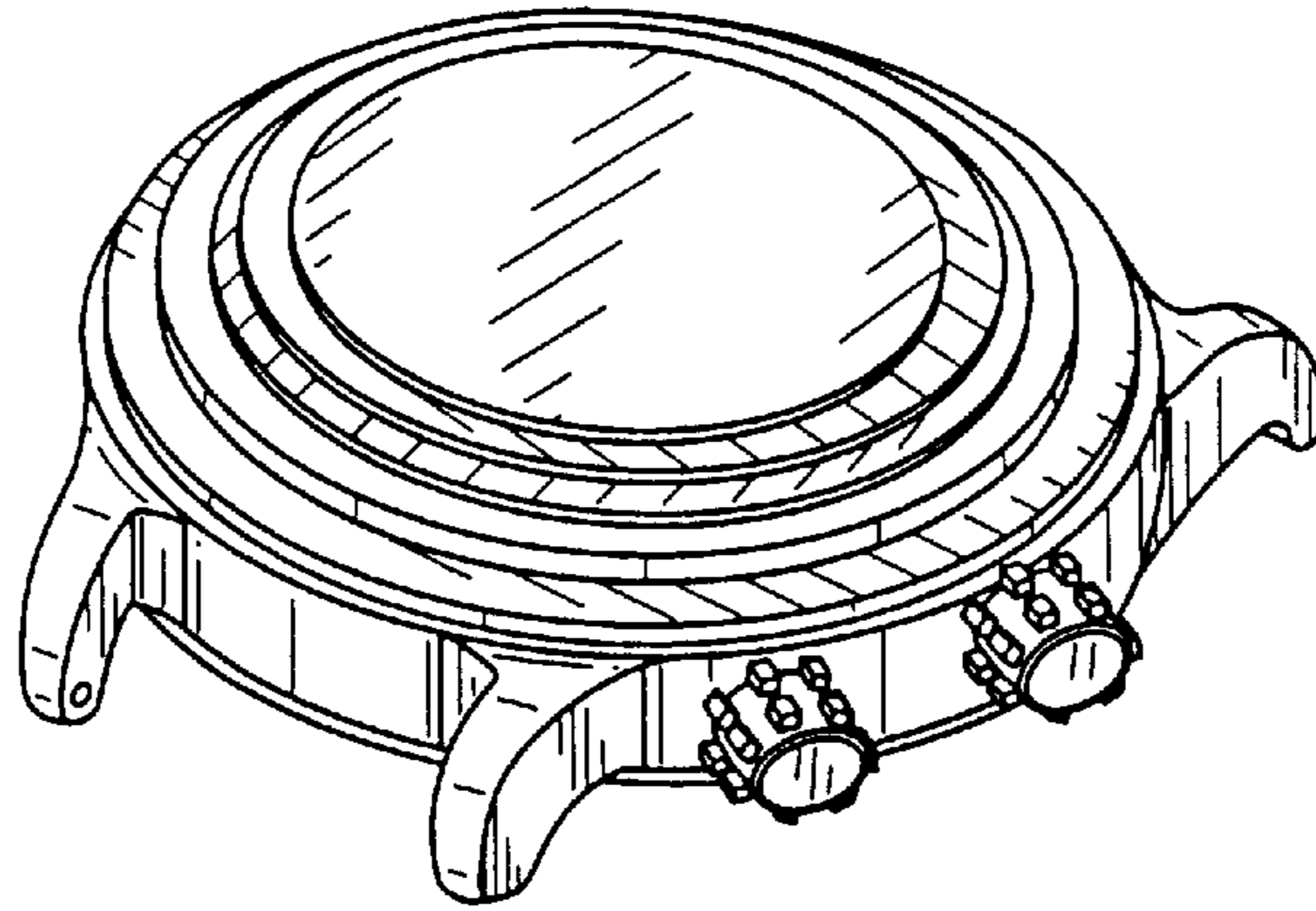
D. 78,492 5/1929 Stegeman ..... D10/128  
D. 285,779 9/1986 Maron ..... D10/30  
D. 310,637 9/1990 Sugano ..... D10/30  
D. 310,638 9/1990 Sugano ..... D10/30

FIG. 1 is a perspective elevational view of a “bezel and casing for a watch”;  
FIG. 2 is a left side elevational view thereof;  
FIG. 3 is a top plan view thereof;  
FIG. 4 is a right side elevational view thereof;  
FIG. 5 is a top end elevational view thereof;  
FIG. 6 is a bottom end view thereof; and,  
FIG. 7 is a bottom plan view thereof.

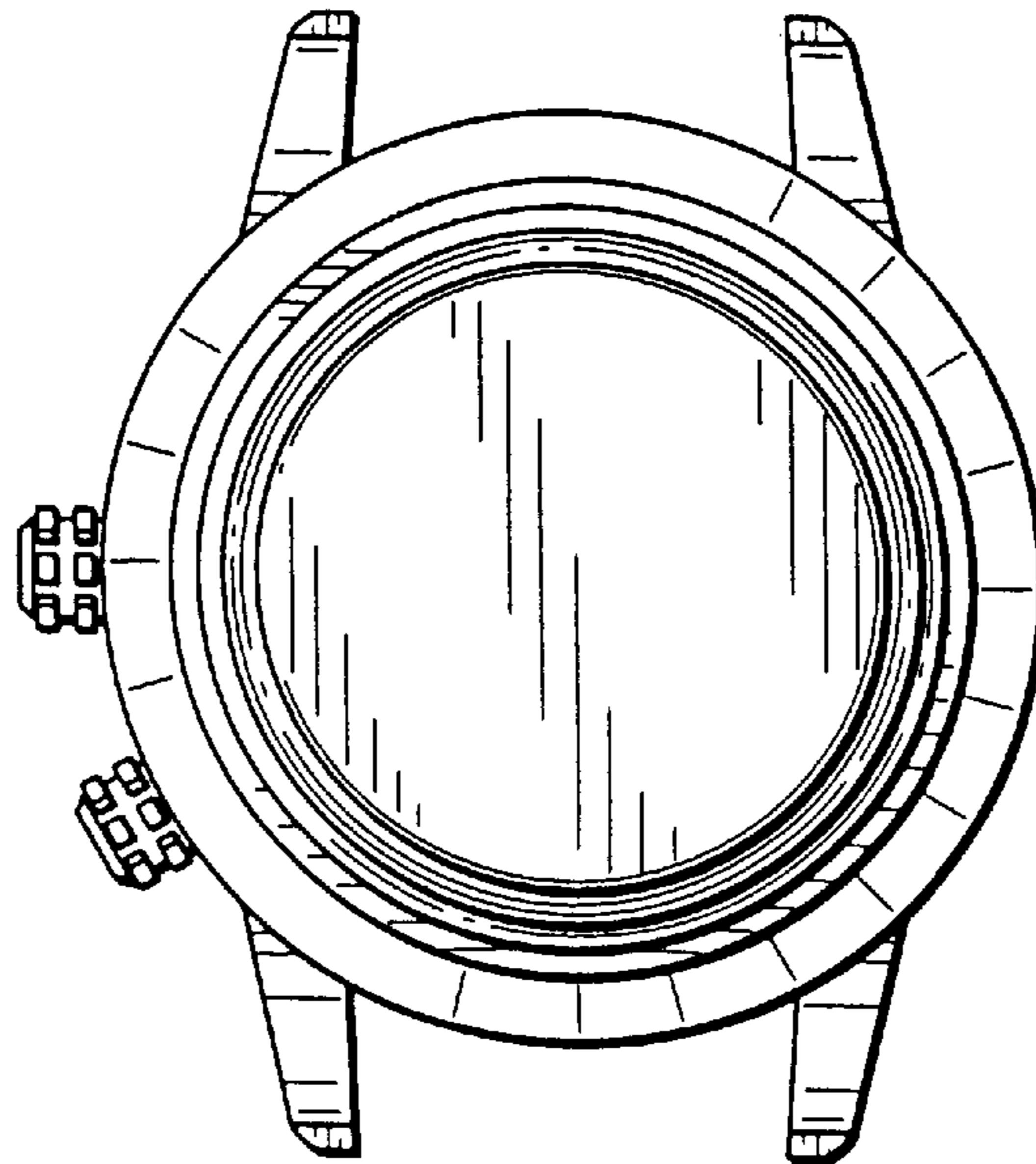
**1 Claim, 2 Drawing Sheets**



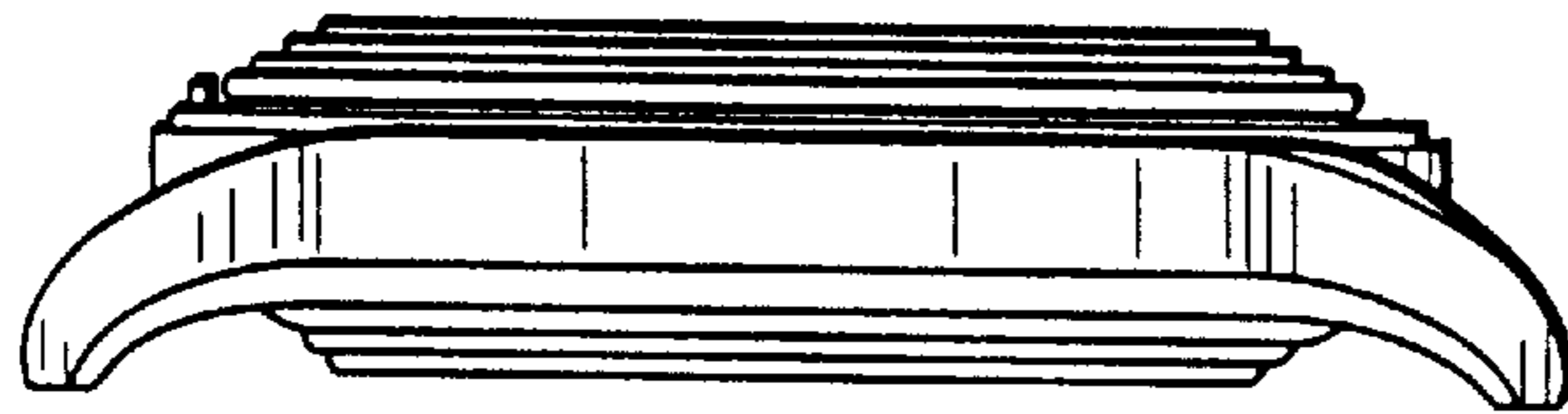
**FIG. 1**



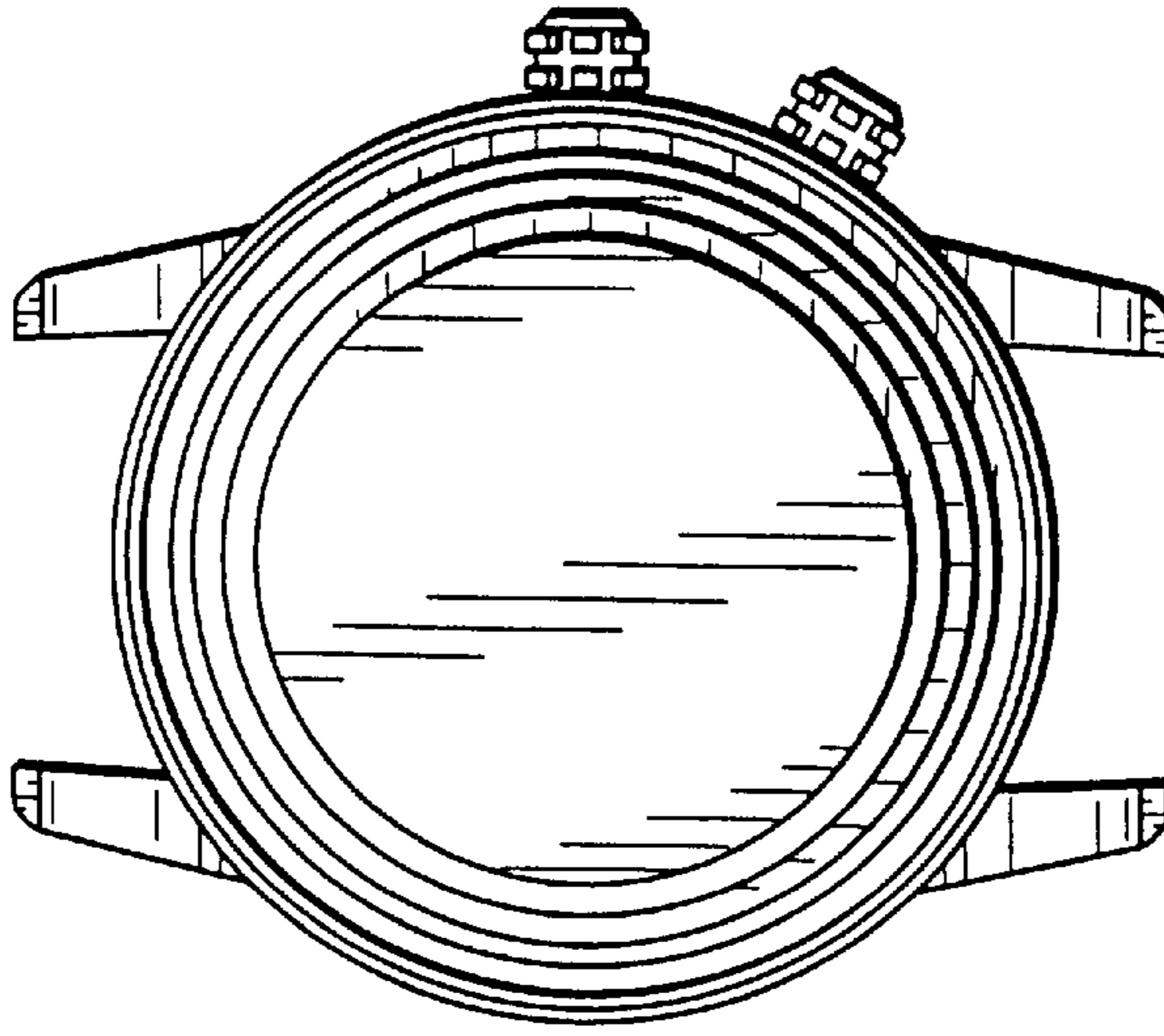
**FIG. 7**



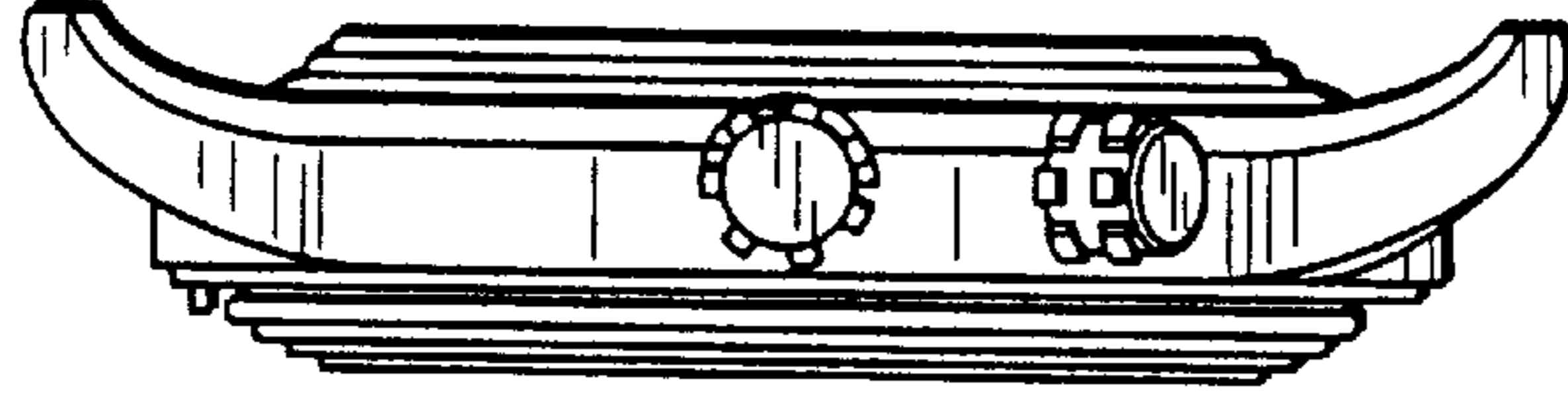
**FIG. 2**



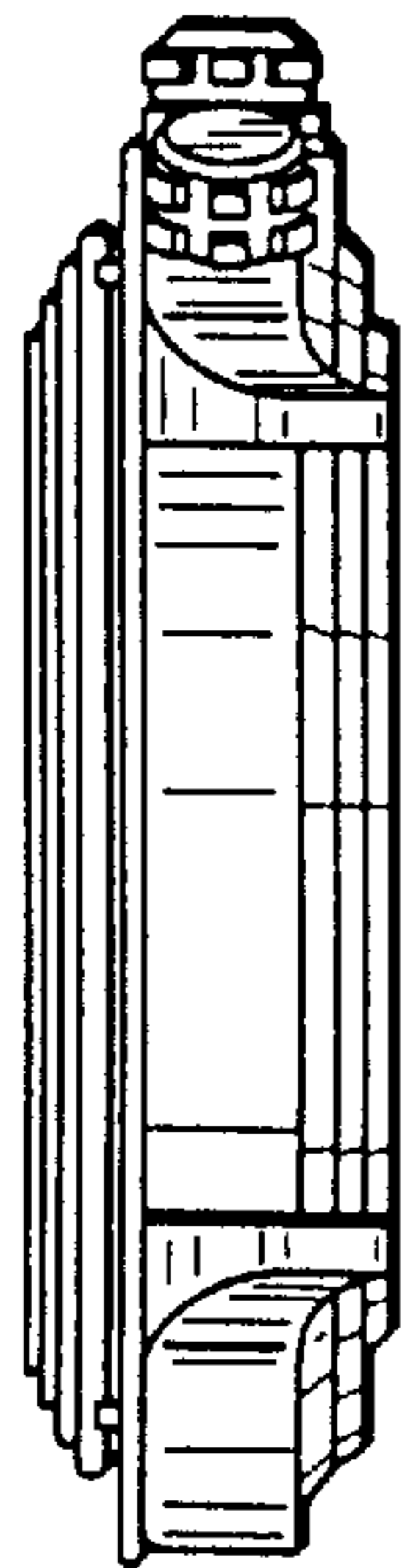
**FIG. 3**



**FIG. 4**



**FIG. 5**



**FIG. 6**

