



US00D399758S

United States Patent [19]

Mendoza

[11] Patent Number: **Des. 399,758**

[45] Date of Patent: ****Oct. 20, 1998**

[54] **BEZEL AND CASING FOR A WATCH**

[75] Inventor: **Wilfredo E. Mendoza**, Mandaue City, Philippines

[73] Assignee: **Timex Corporation**, Middlebury, Conn.

[**] Term: **14 Years**

[21] Appl. No.: **73,581**

[22] Filed: **Jul. 11, 1997**

[51] **LOC (6) Cl.** **10-02**

[52] **U.S. Cl.** **D10/30**

[58] **Field of Search** D10/1-40, 122-132;
368/280-282, 276-277, 285

[56] **References Cited**

U.S. PATENT DOCUMENTS

D. 78,494	5/1929	Wadsworth	D10/128
D. 364,572	11/1995	Goto	D10/30 X
D. 366,426	1/1996	Kujima	D10/39
D. 386,977	12/1997	Campilan	D10/30
D. 388,000	12/1997	Mulimeri	D10/30

OTHER PUBLICATIONS

Timepieces—Jun. 1989 p. 6—Watch at 2nd from left
Swiss Watch & Jewlery Journal —Feb. 1989—p. 469—
watches.

Primary Examiner—Nelson C. Holtje
Attorney, Agent, or Firm—Arthur G. Schaier

[57] **CLAIM**

The ornamental design for a “bezel and casing for a watch,”
as shown and described.

DESCRIPTION

FIG. 1 is a perspective elevational view of a “bezel and casing for a watch”;
FIG. 2 is a left side elevational view thereof;
FIG. 3 is a top plan view thereof;
FIG. 4 is a right side elevational view thereof;
FIG. 5 is an end elevational view thereof;
FIG. 6 is the other end elevational view thereof; and,
FIG. 7 is a bottom plan view thereof.

1 Claim, 2 Drawing Sheets

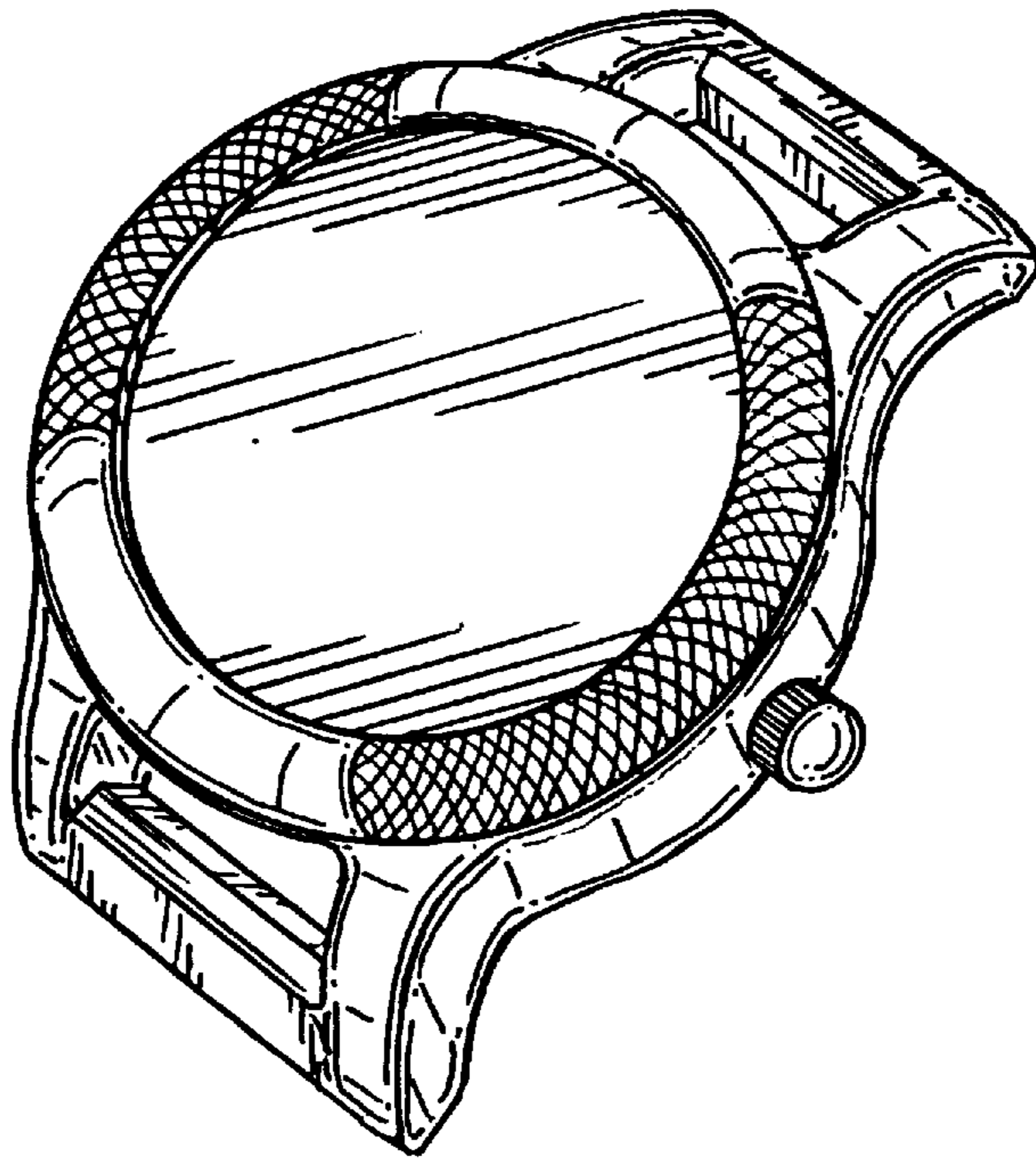


FIG. 1

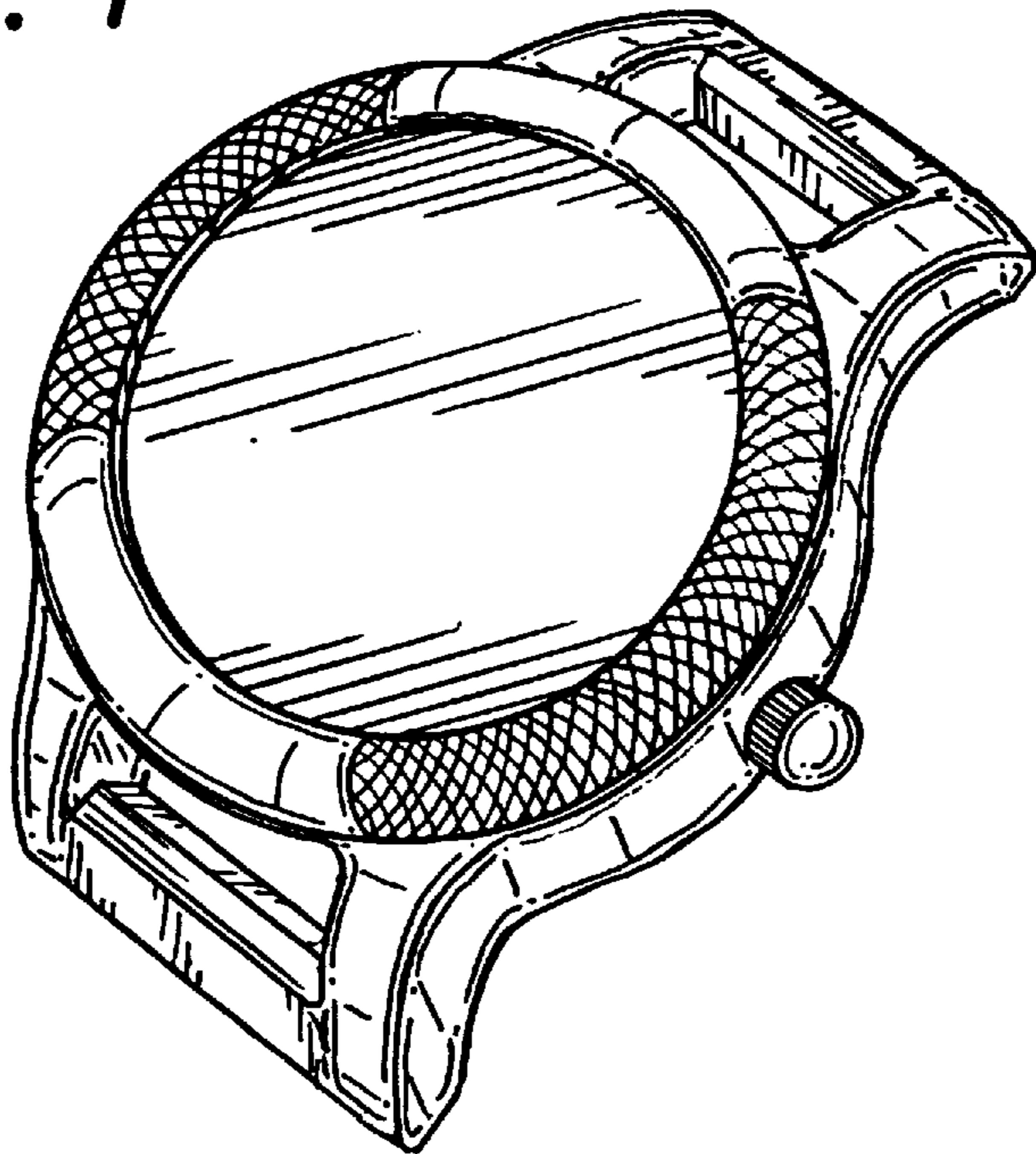


FIG. 7

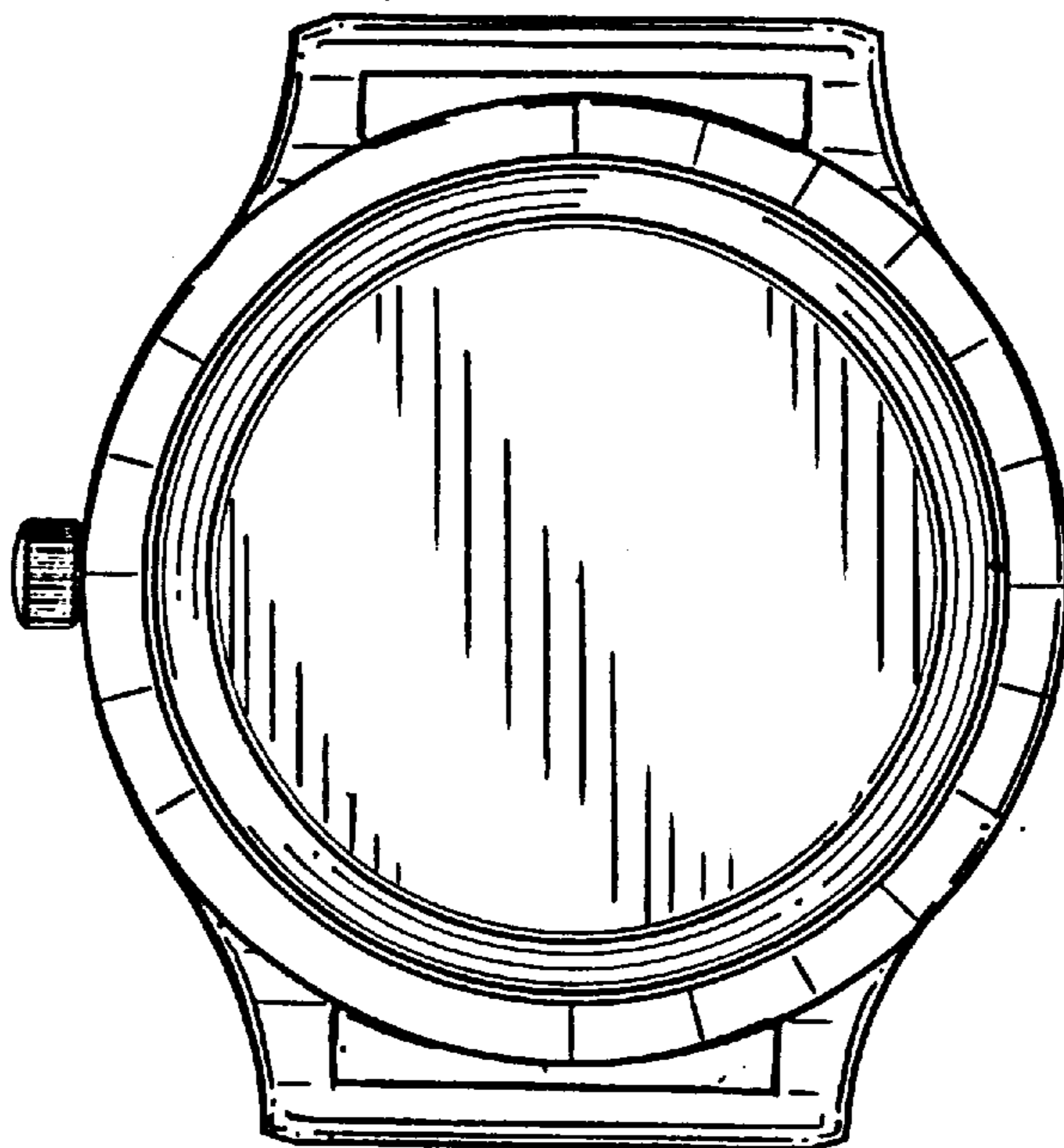


FIG. 2

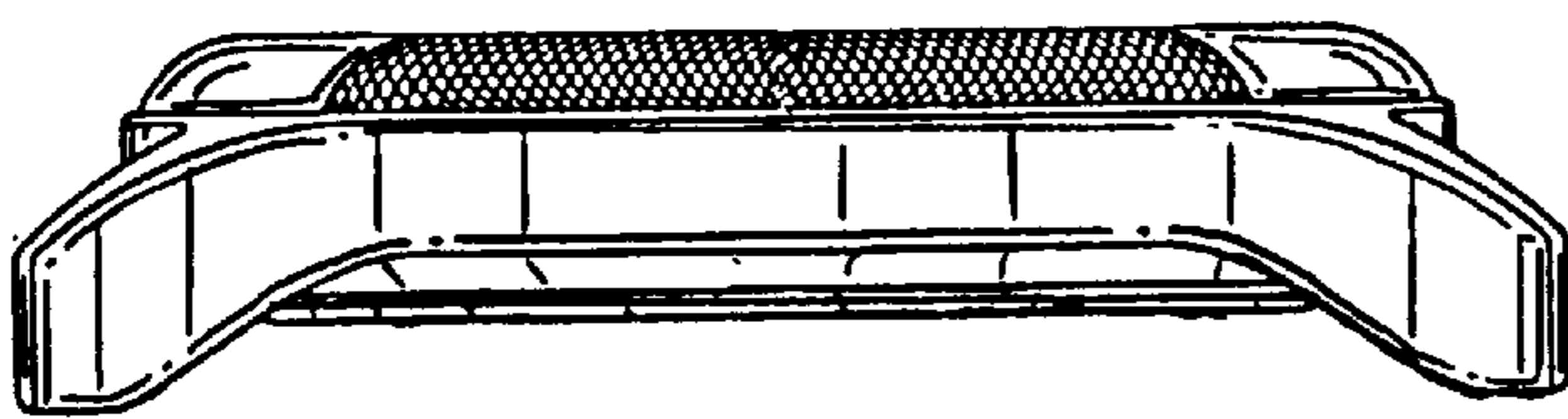


FIG. 3

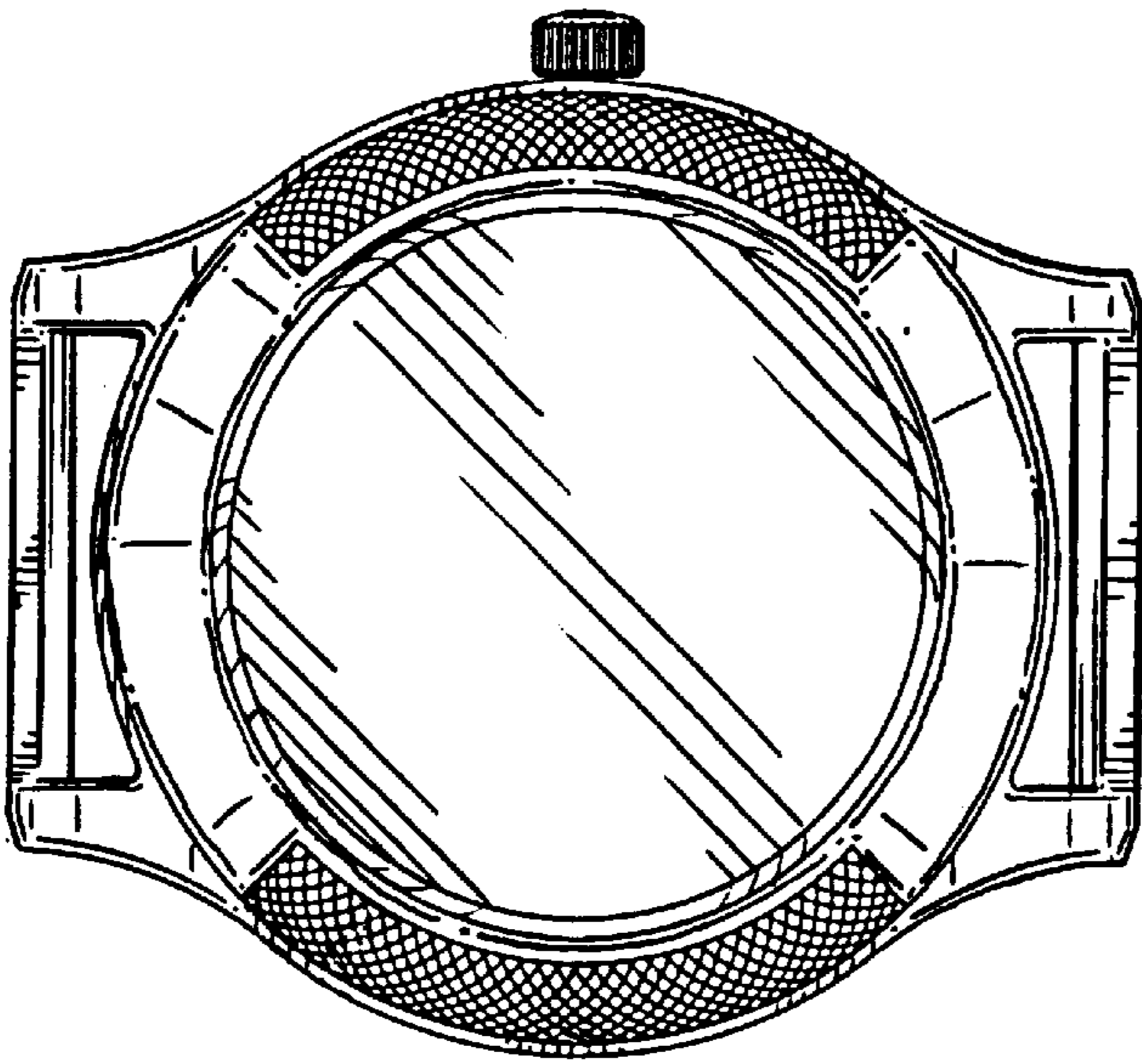


FIG. 4

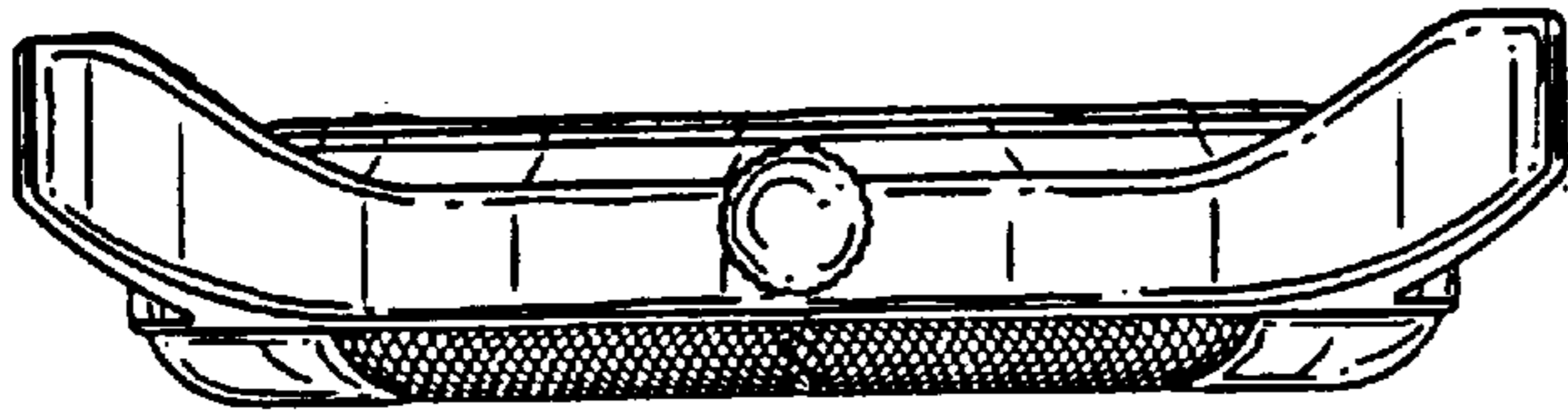


FIG. 5

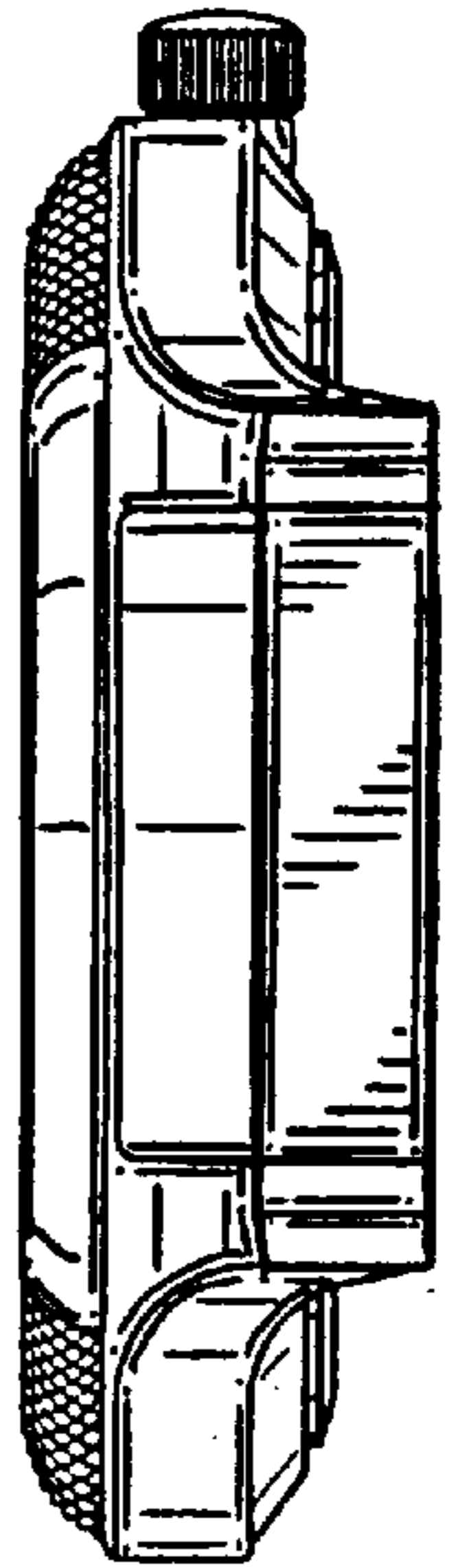


FIG. 6

