



US00D399757S

# United States Patent [19]

Riley et al.

[11] Patent Number: **Des. 399,757**

[45] Date of Patent: **\*\*Oct. 20, 1998**

[54] **WRISTWATCH CASE**

2,293,940 8/1942 Jahr ..... D10/32 X

[75] Inventors: **Judith R. Riley**, Goshen; **David Guinlan**, Marion, both of Conn.

### OTHER PUBLICATIONS

*Timepieces*—Jun. 1989—p.230—Two Watches at top-right of bottom.

[73] Assignee: **Timex Corporation**, Middleburg, Conn.

*Primary Examiner*—Nelson C. Holtje  
*Attorney, Agent, or Firm*—Arthur G. Schaier

[\*\*] Term: **14 Years**

[21] Appl. No.: **71,454**

### [57] CLAIM

The ornamental design for a “wristwatch case”, as shown and described.

[22] Filed: **May 27, 1997**

[51] **LOC (6) Cl.** ..... **10-02**

[52] **U.S. Cl.** ..... **D10/30; D10/39**

[58] **Field of Search** ..... D10/1-40, 122-132;  
368/276-277, 285, 316-317, 280-282

### DESCRIPTION

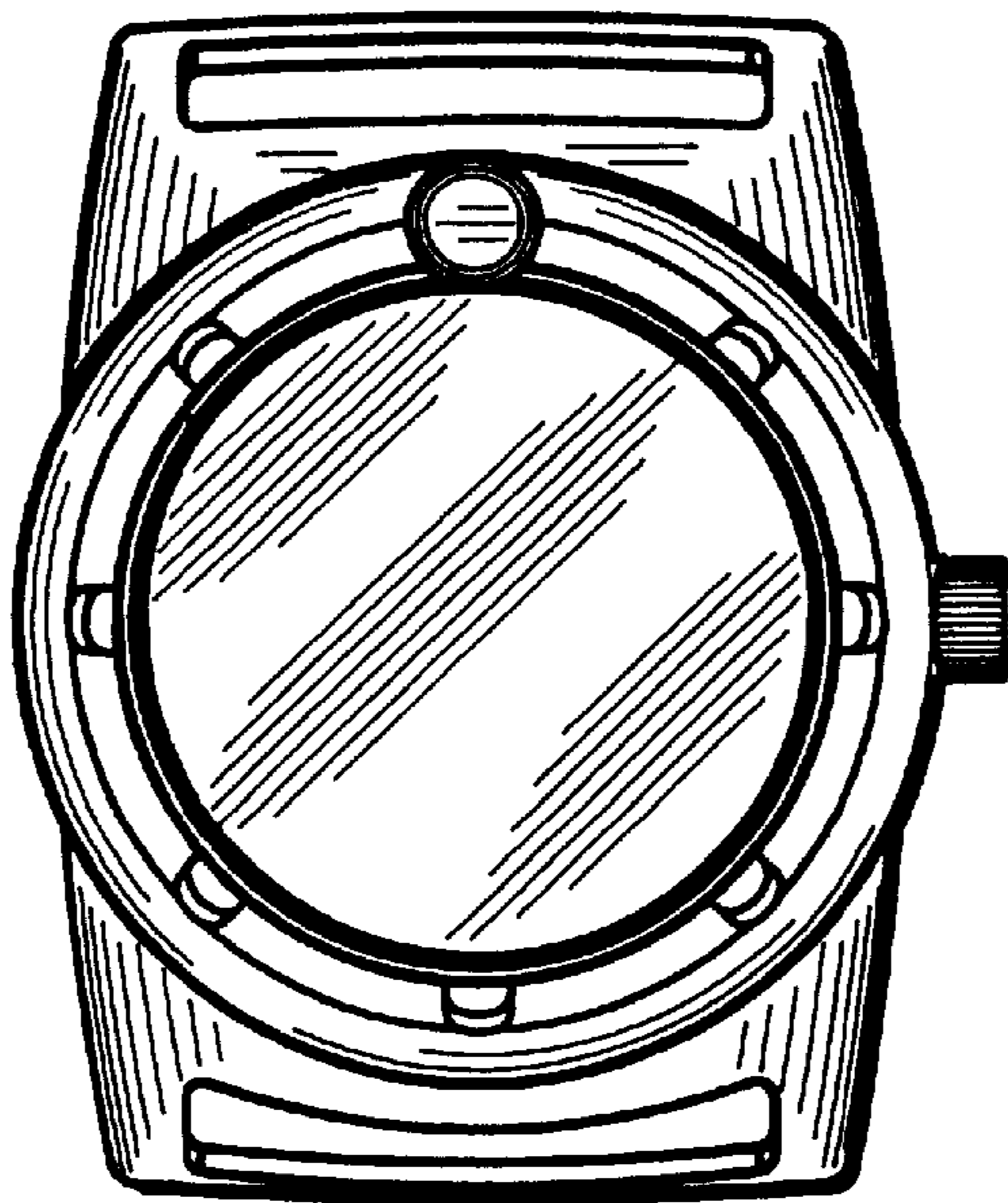
FIG. 1 is a top plan view of our improved wristwatch case; FIG. 2 is a left side elevational view thereof; FIG. 3 is a right side elevational view thereof; FIG. 4 is a rear elevational view thereof; FIG. 5 is a front elevational view thereof; and, FIG. 6 is a bottom plan view thereof.

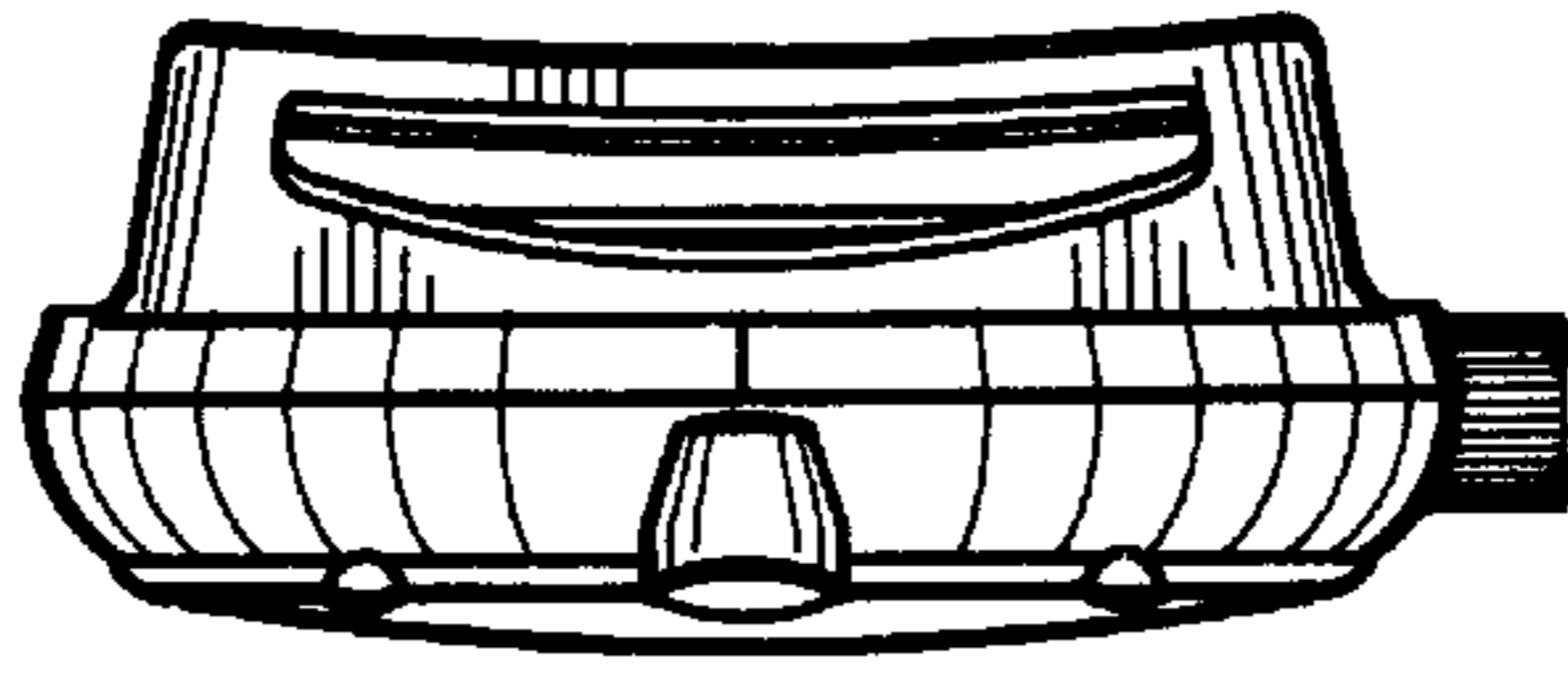
### [56] References Cited

#### U.S. PATENT DOCUMENTS

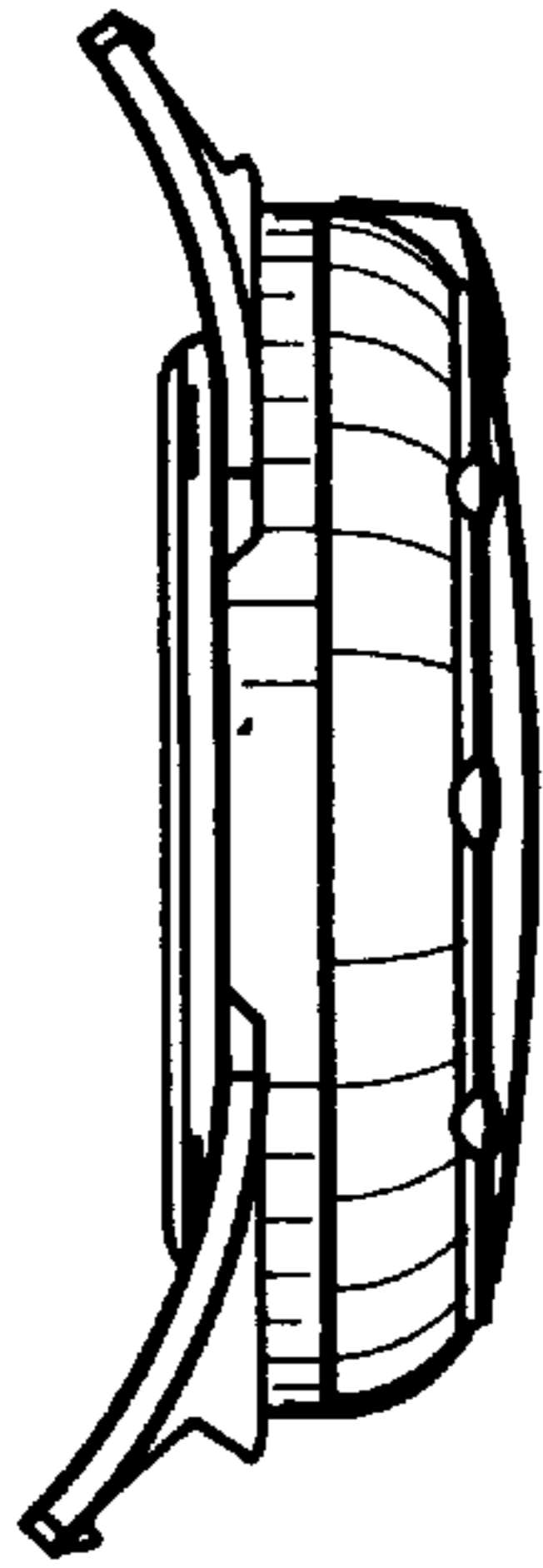
- D. 387,685 12/1997 Shugita ..... D10/38
- 2,035,671 3/1936 Sauer .
- 2,224,421 12/1940 Aaron .

**1 Claim, 1 Drawing Sheet**

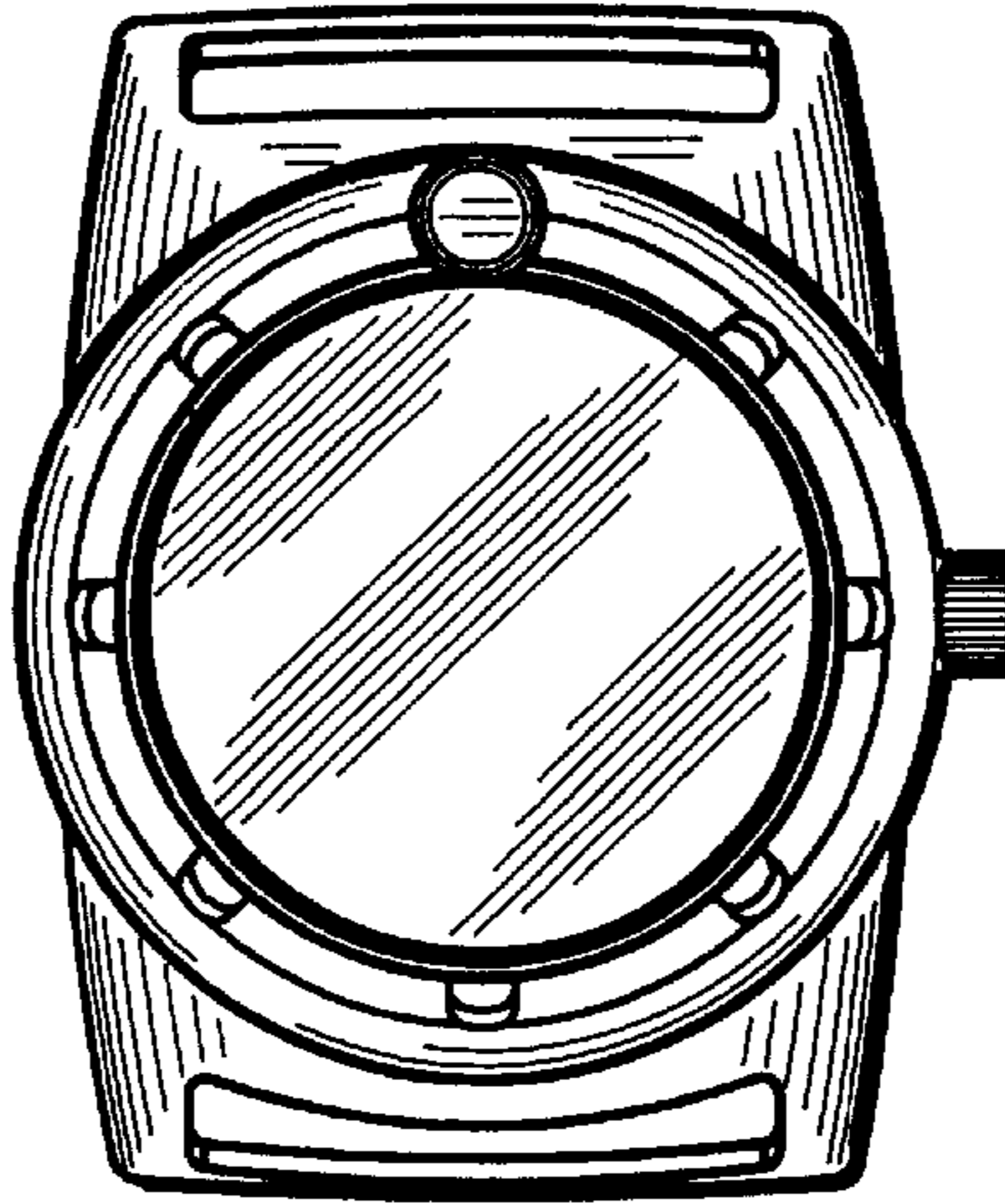




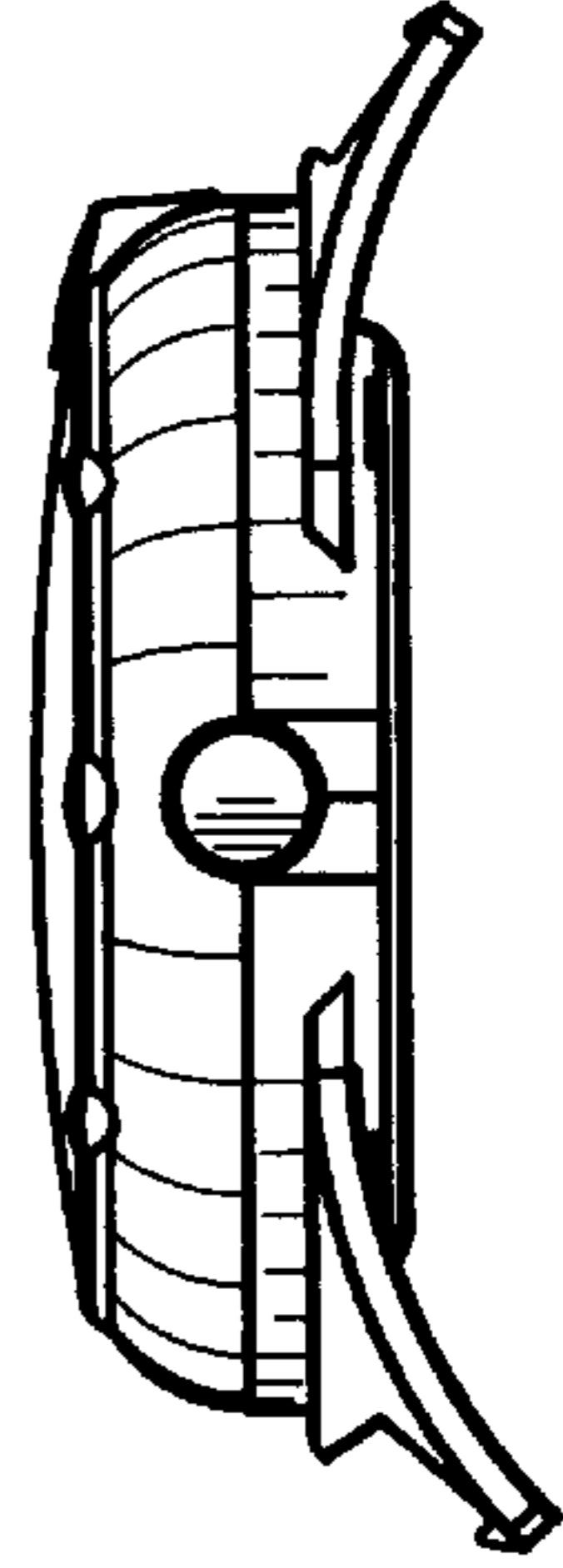
*Fig. 4*



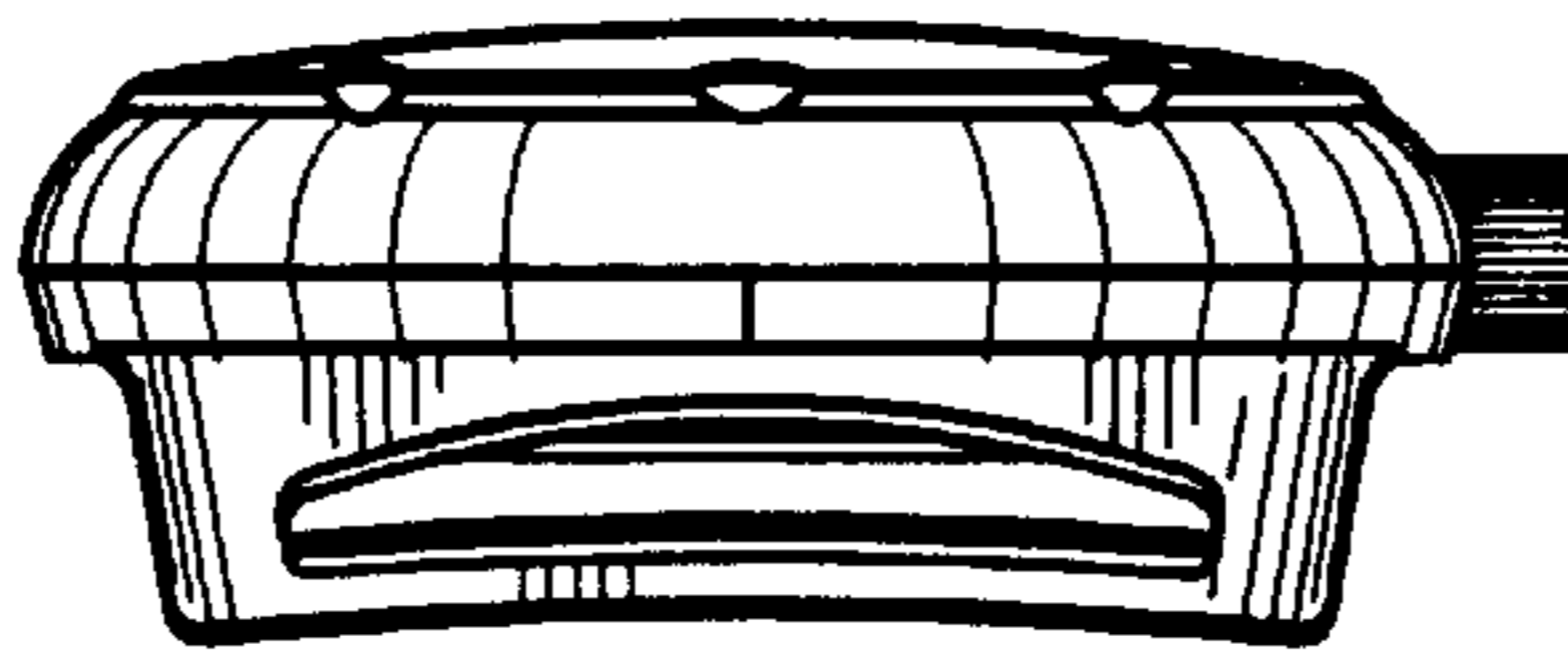
*Fig. 2*



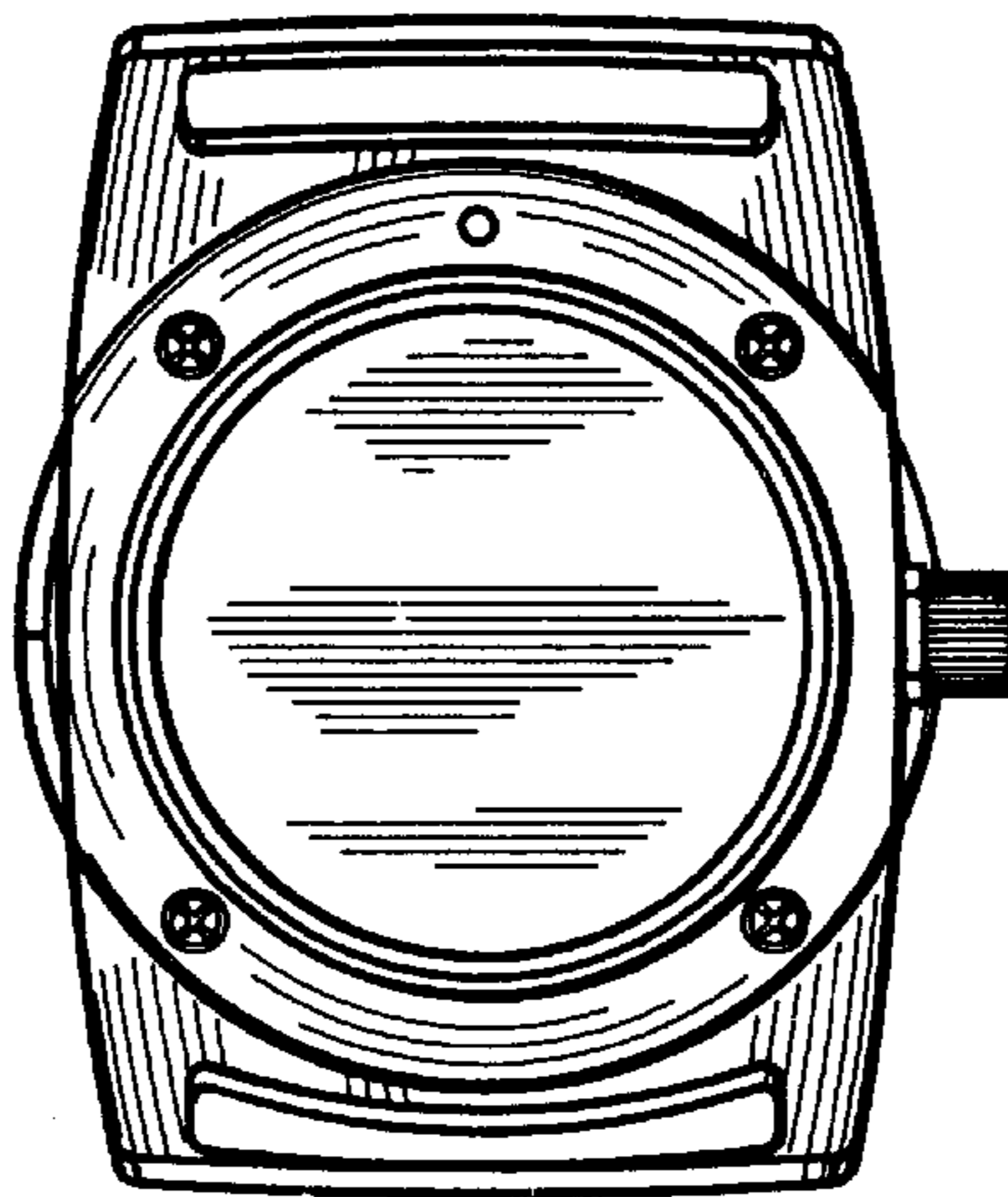
*Fig. 1*



*Fig. 3*



*Fig. 5*



*Fig. 6*