



US00D399748S

United States Patent [19]
Paoloski

[11] **Patent Number: Des. 399,748**
[45] **Date of Patent: **Oct. 20, 1998**

[54] **BOTTLE**
[75] Inventor: **Andrea C. Paoloski**, Cincinnati, Ohio
[73] Assignee: **The Procter & Gamble Company**,
Cincinnati, Ohio
[**] Term: **14 Years**
[21] Appl. No.: **76,941**
[22] Filed: **Sep. 16, 1997**
[51] **LOC (6) Cl.** **09-01**
[52] **U.S. Cl.** **D9/520; D9/538**
[58] **Field of Search** D9/538-543, 545,
D9/546, 520, 558, 500, 503, 505; 215/375,
382-384

D. 373,729 9/1996 Protheroe et al. D9/500
D. 376,316 12/1996 Lynn et al. D9/434
D. 376,317 12/1996 Weiss D9/435
D. 380,383 7/1997 Wiemann et al. D9/434
4,610,366 9/1986 Estes et al. 215/1 C
5,549,210 8/1996 Cheng 215/375

OTHER PUBLICATIONS

Bottle/Brush Photographs—"Twist Cover and Pull To Open—Add Liquid Soap"—Phoenixware—Views 1-5. Exhibit I—Trademark for Citrus Fruit Drink Containing Water, Sep. 3, 1985 SN 448,208.

Primary Examiner—Lucy Lieberman
Attorney, Agent, or Firm—Rodney M. Young

[57] **CLAIM**

The ornamental design for a bottle, as shown and described.

DESCRIPTION

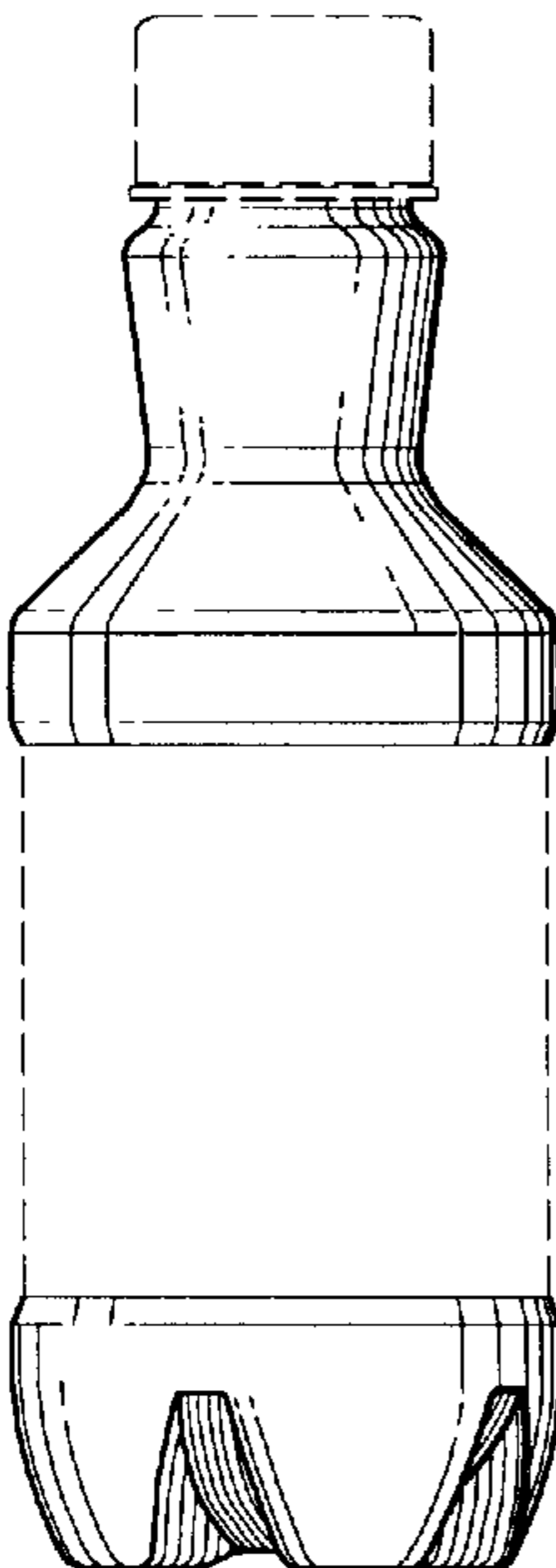
FIG. 1 is a perspective view of a bottle, embodying our new design;
FIG. 2 is a front elevational view thereof;
FIG. 3 is a top view thereof;
FIG. 4 is a bottom view thereof;
FIG. 5 is a back elevational view thereof;
FIG. 6 is a first side elevational view thereof; and,
FIG. 7 is a second side elevational view thereof.
The broken lines shown in the figures are for illustrative purposes only, and form no part of the claimed invention.

[56] **References Cited**

U.S. PATENT DOCUMENTS

D. 200,603 3/1965 Petitlo D9/538
D. 205,424 8/1966 Plummer D9/500
D. 222,851 1/1972 Adomaitis et al. D9/111
D. 245,068 7/1977 Ruriani D9/503
D. 248,835 8/1978 Korsmeyer D9/500
D. 272,321 1/1984 Kretz D9/389
D. 299,115 12/1988 Wetherell, Jr. D9/370
D. 316,813 5/1991 Cannon D9/370
D. 327,845 7/1992 Behm et al. D9/434
D. 329,817 9/1992 Best D9/556
D. 353,098 12/1994 Beechuk et al. D9/538
D. 358,547 5/1995 Darr D9/520

1 Claim, 2 Drawing Sheets



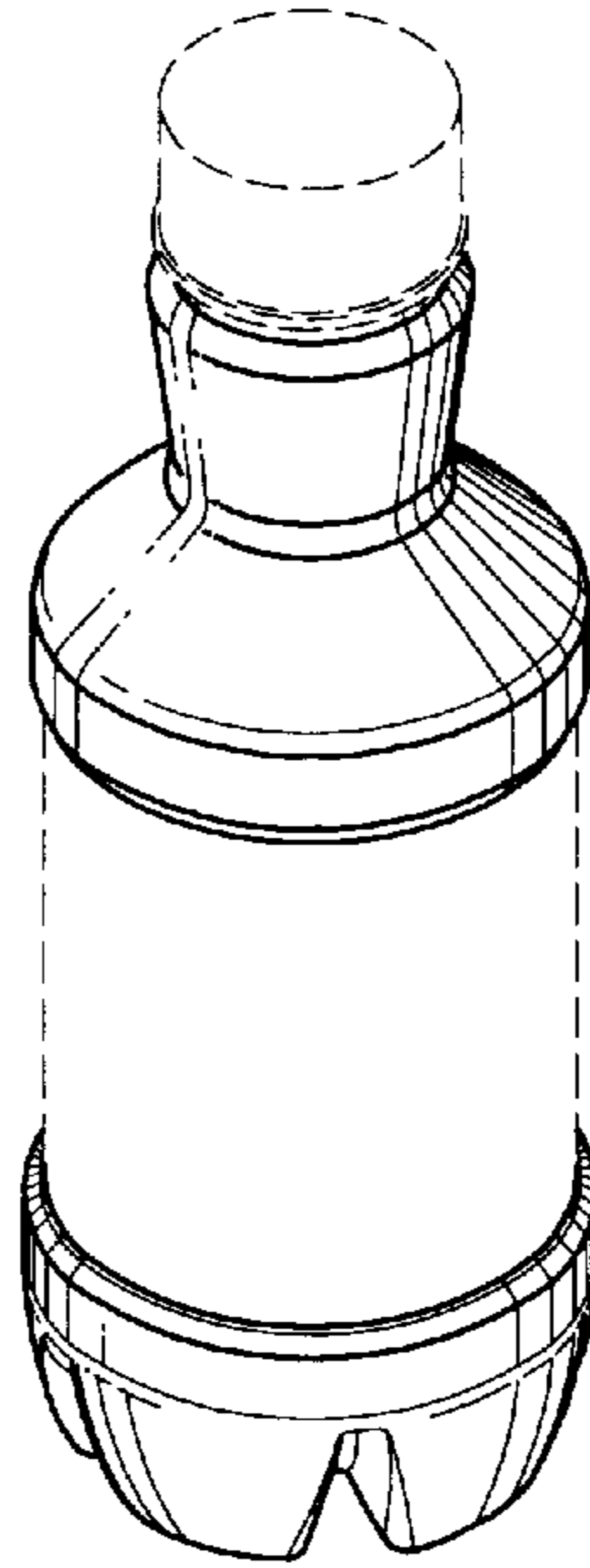


Fig. 1

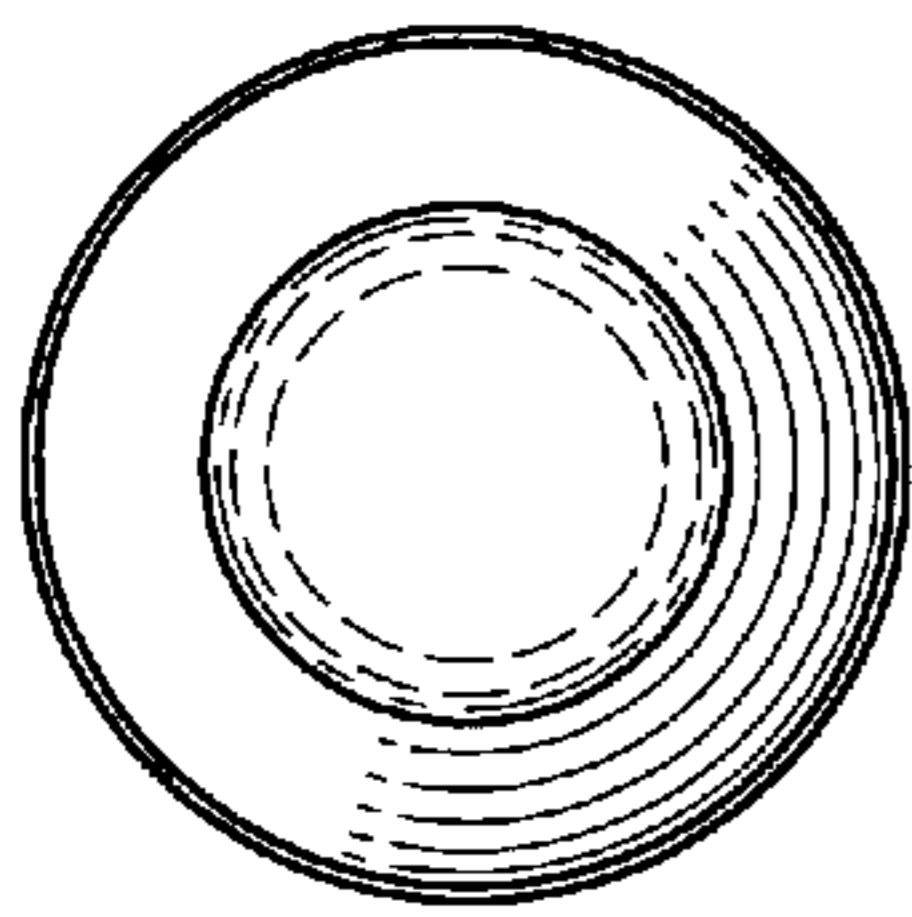


Fig. 3

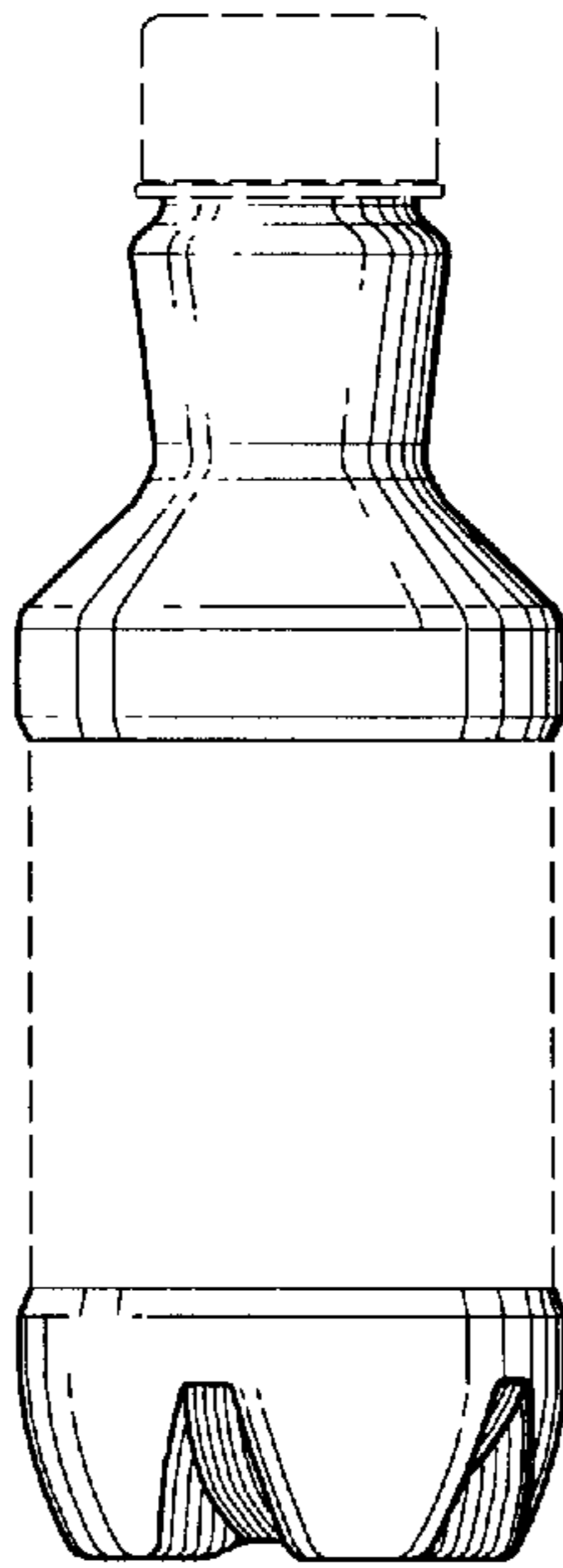


Fig. 2

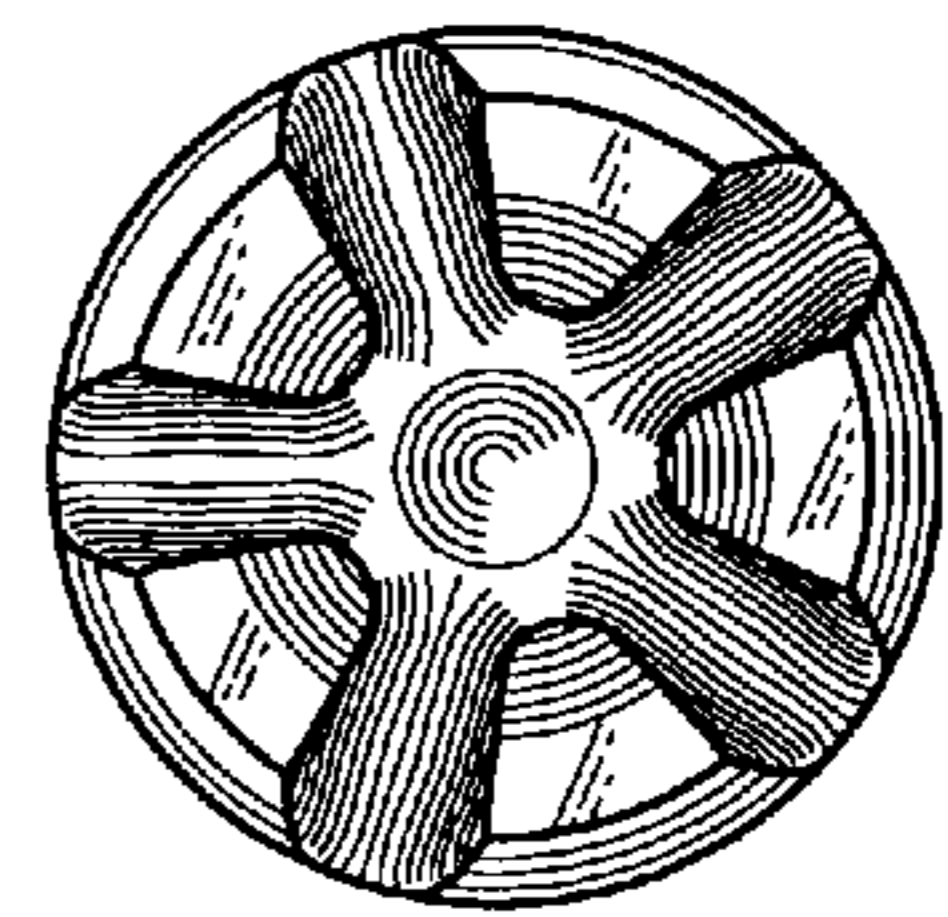


Fig. 4

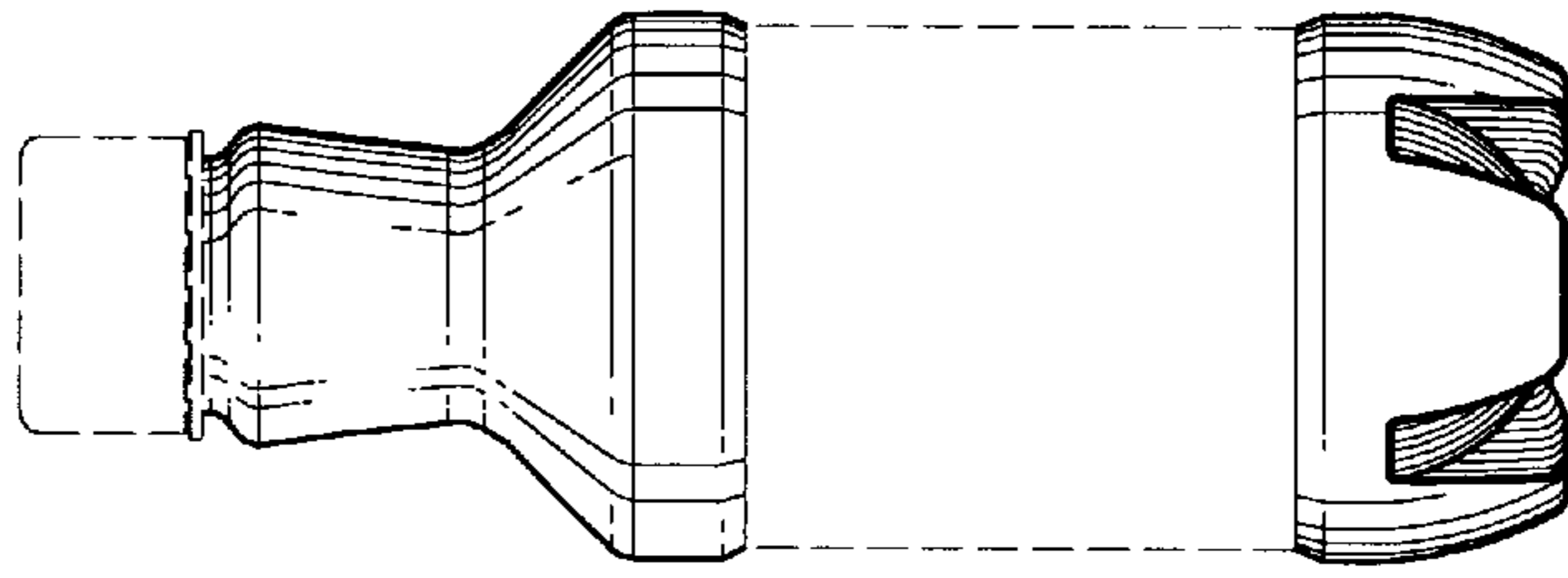


Fig. 5

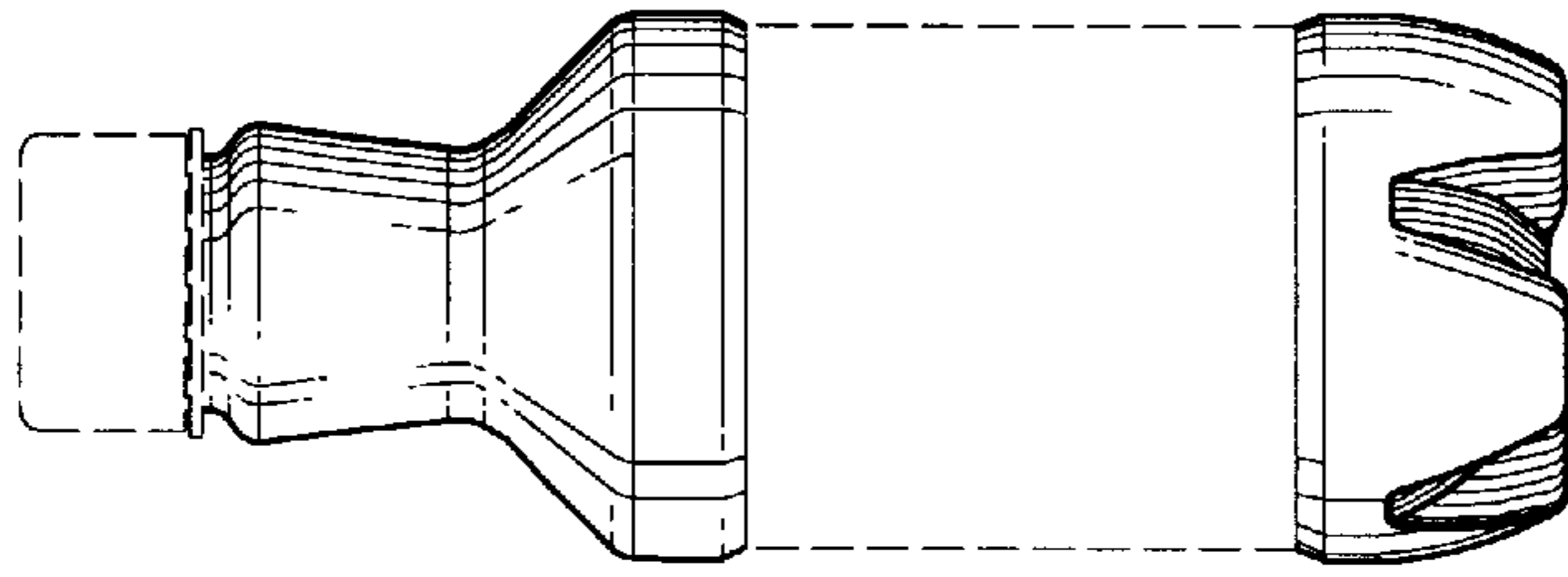


Fig. 6

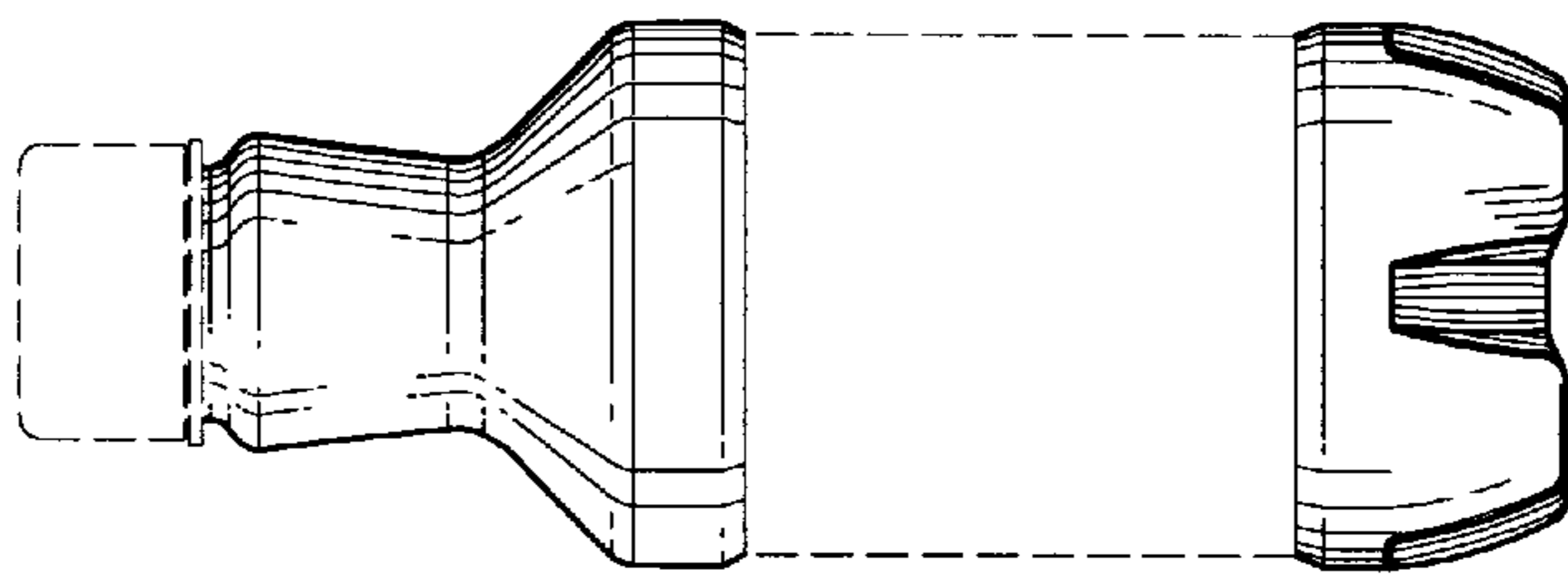


Fig. 7