



US00D399744S

United States Patent [19] Gross

[11] **Patent Number: Des. 399,744**

[45] **Date of Patent: **Oct. 20, 1998**

[54] **DRINK SPOUT FOR A CONTAINER**

[75] Inventor: **Richard A. Gross**, Oconomowoc, Wis.

[73] Assignee: **AptarGroup, Inc.**, Crystal Lake, Ill.

[**] Term: **14 Years**

[21] Appl. No.: **72,944**

[22] Filed: **Jun. 26, 1997**

[51] **LOC (6) Cl. 09-07**

[52] **U.S. Cl. D9/447**

[58] **Field of Search** D9/435, 440, 447,
D9/448, 449, 452, 453, 454; 215/235, 237;
220/339; 222/109, 111, 520, 521, 541.9,
556, 562, 566-571

[56] **References Cited**

U.S. PATENT DOCUMENTS

D. 223,900	6/1972	Douglas	D9/449
D. 292,489	10/1987	Kowollik et al.	D9/447
D. 292,882	11/1987	Gross	.	
D. 310,786	9/1990	Lay et al.	.	
D. 318,231	7/1991	Lay et al.	.	
D. 319,981	9/1991	Sledge	D9/447
5,642,824	7/1997	Hess, III et al.	215/235

FOREIGN PATENT DOCUMENTS

692/93 10/1993 Sweden .

OTHER PUBLICATIONS

Photographs 1-A, 1-B, 1-C, and 1-D of a first closure;
Photographs 2-A, 2-B, 2-C, and 2-D of a second closure;
Photographs 3-A, 3-B, 3-C, and 3-D of a third closure;
Photographs 4-A, 4-B, 4-C, and 4-D of a fourth closure;
Photographs 5-A, 5-B, 5-C, and 5-D of a fifth closure;
Photographs 6-A, 6-B, 6-C, and 6-D of a sixth closure;

Photographs 7-A, 7-B, 7-C, and 7-D of a seventh closure;
and Photographs 8-A, 8-B, 8-C, and 8-D of an eighth
closure. Subject matter therein was in use prior to the filing
of the application.

Primary Examiner—James Gandy
Assistant Examiner—Cathron B. Matta
Attorney, Agent, or Firm—Rockey, Milnamow & Katz, Ltd.

[57] **CLAIM**

The ornamental design for a drink spout for a container, as
shown and described.

DESCRIPTION

FIG. 1 is a perspective view of the drink spout for a
container showing my new design;
FIG. 2 is a top plan view thereof;
FIG. 3 is a front elevational view thereof;
FIG. 4 is a rear elevational view thereof;
FIG. 5 is a left side elevational view thereof, the right side
elevational view thereof being a mirror image;
FIG. 6 is a perspective view of the drink spout for a
container showing my new design with an attached, open,
flat top lid shown in broken lines;
FIG. 7 is a top plan view of FIG. 6;
FIG. 8 is a left side elevational view of FIG. 6, the right side
elevational view thereof being a mirror image;
FIG. 9 is a perspective view of the drink spout for a
container showing my new design with an attached, open,
slant top lid shown in broken lines and forming no part of the
claimed design;
FIG. 10 is a top plan view of FIG. 9; and,
FIG. 11 is a left side elevational view of FIG. 9, the right side
elevational view thereof being a mirror image.
The broken line showing of a lid is for illustrative purposes
only and forms no part of the claimed design.

1 Claim, 5 Drawing Sheets

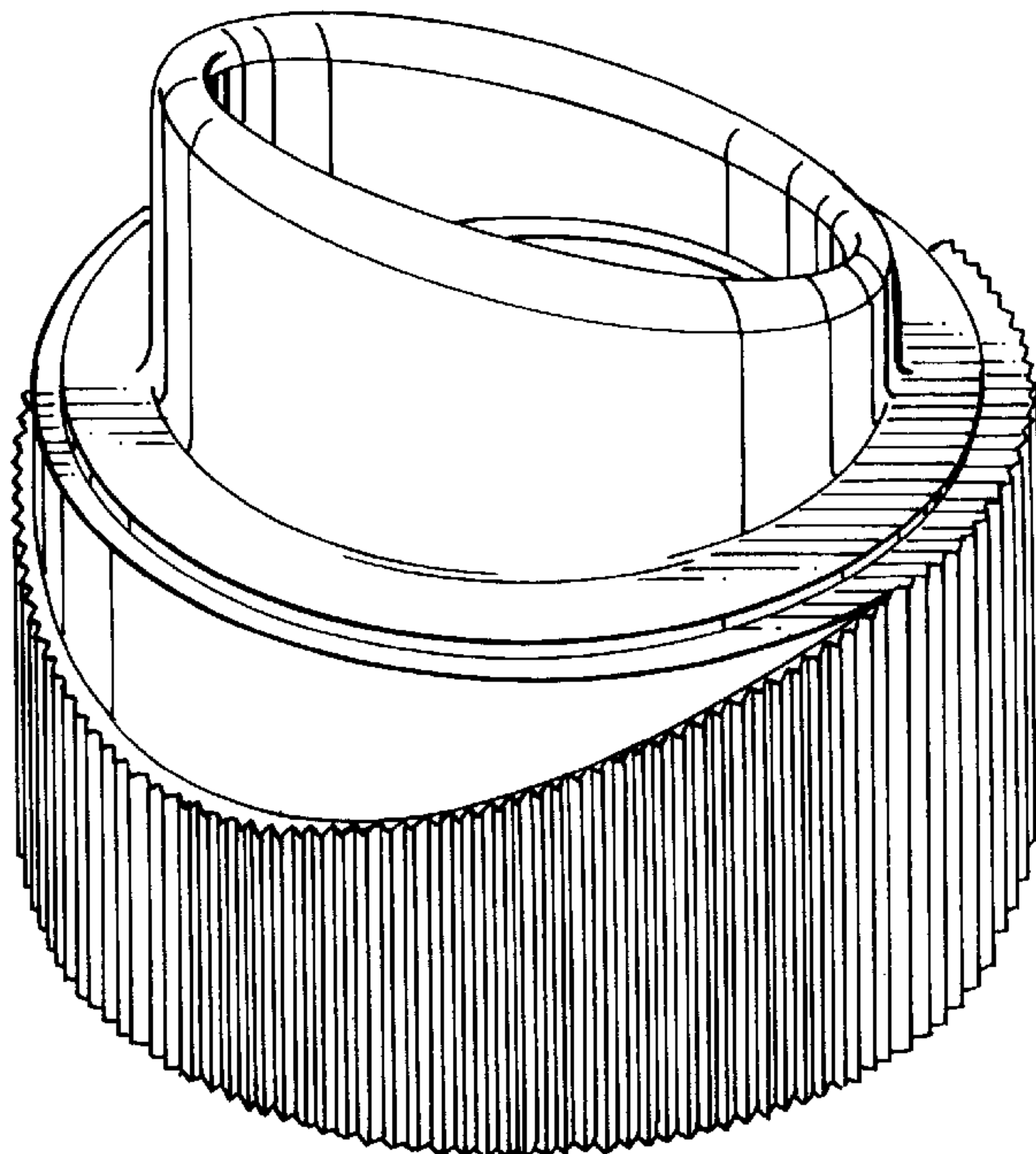


FIG. 1

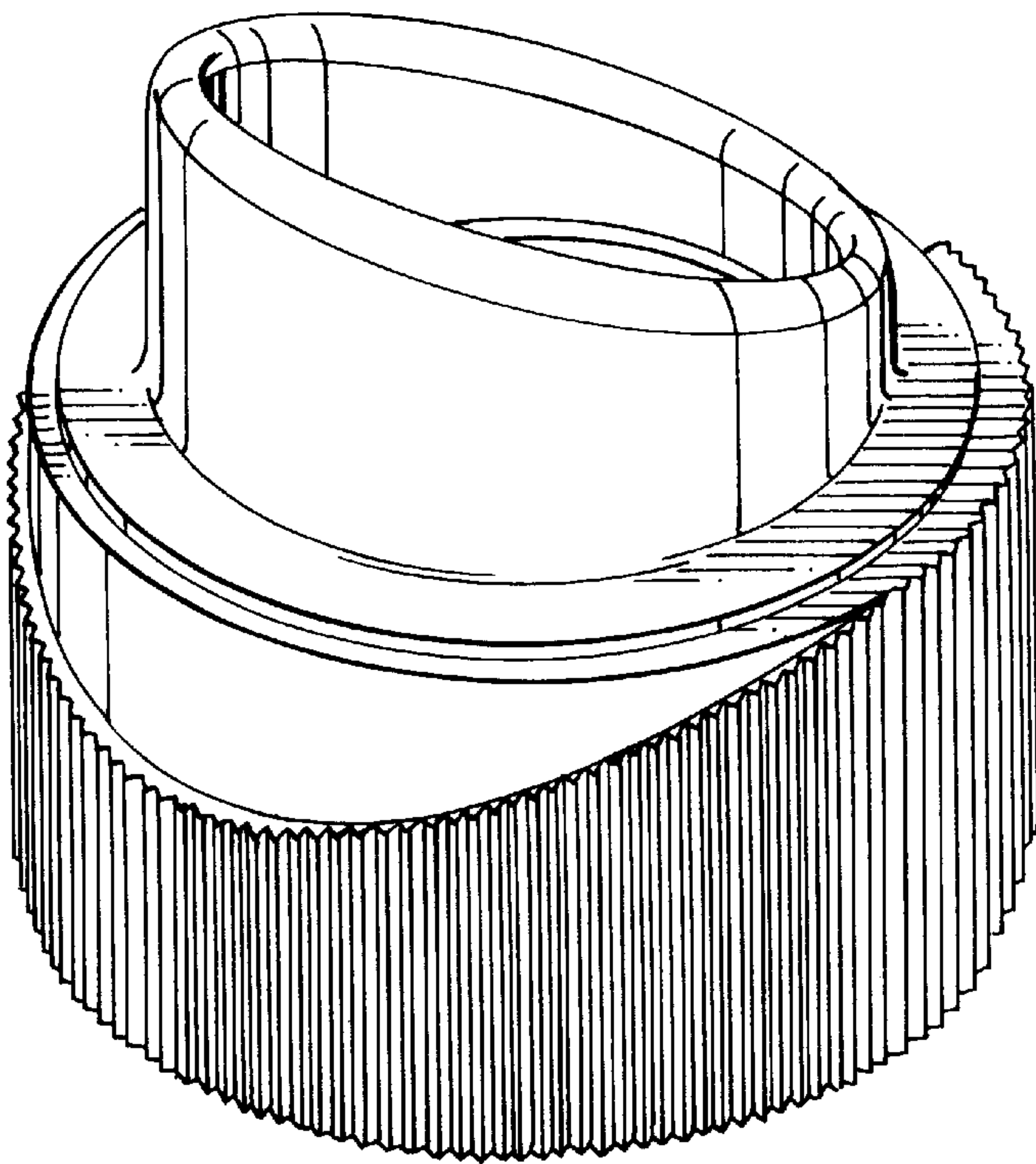


FIG. 2

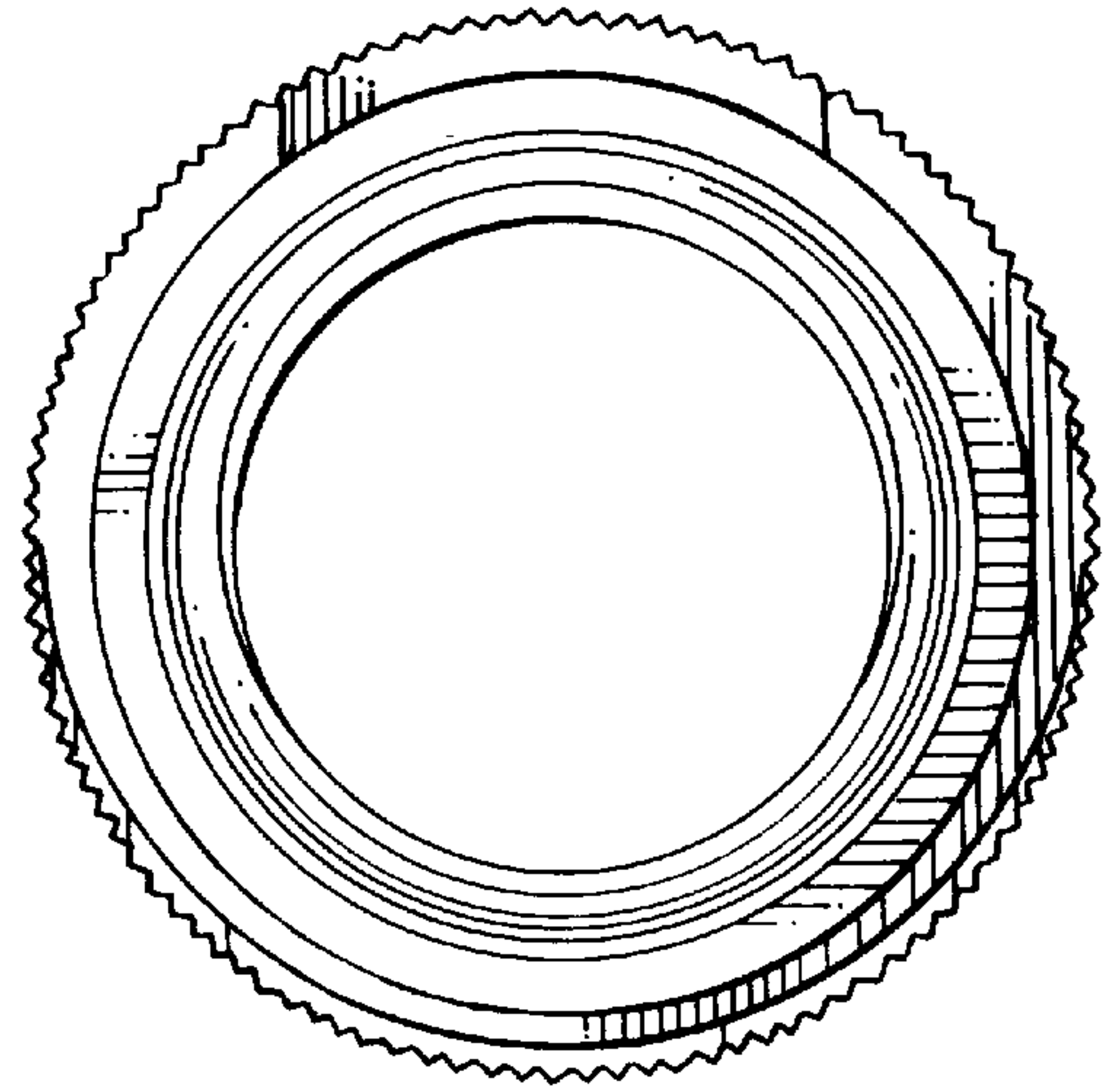


FIG. 3

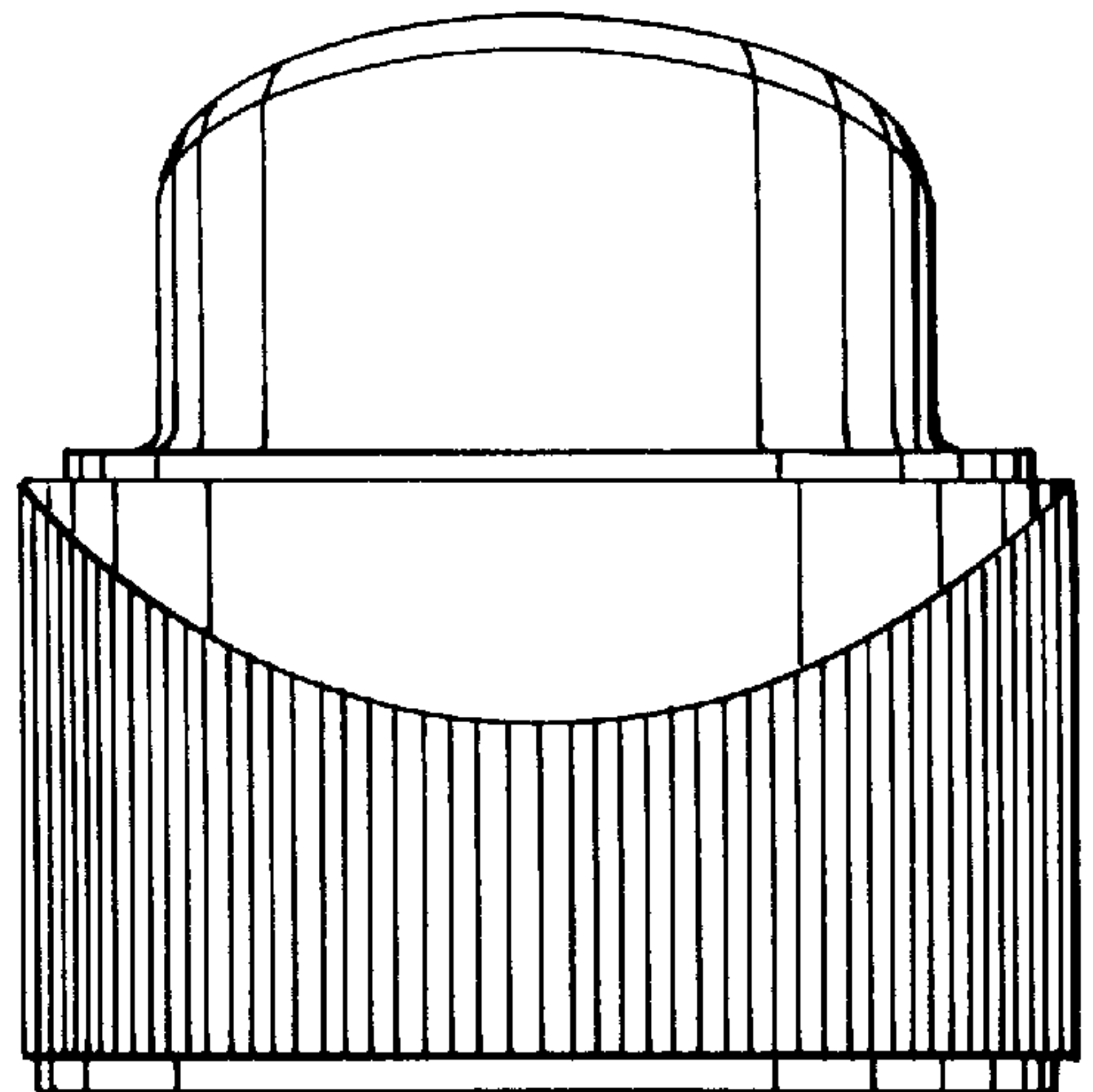


FIG. 4

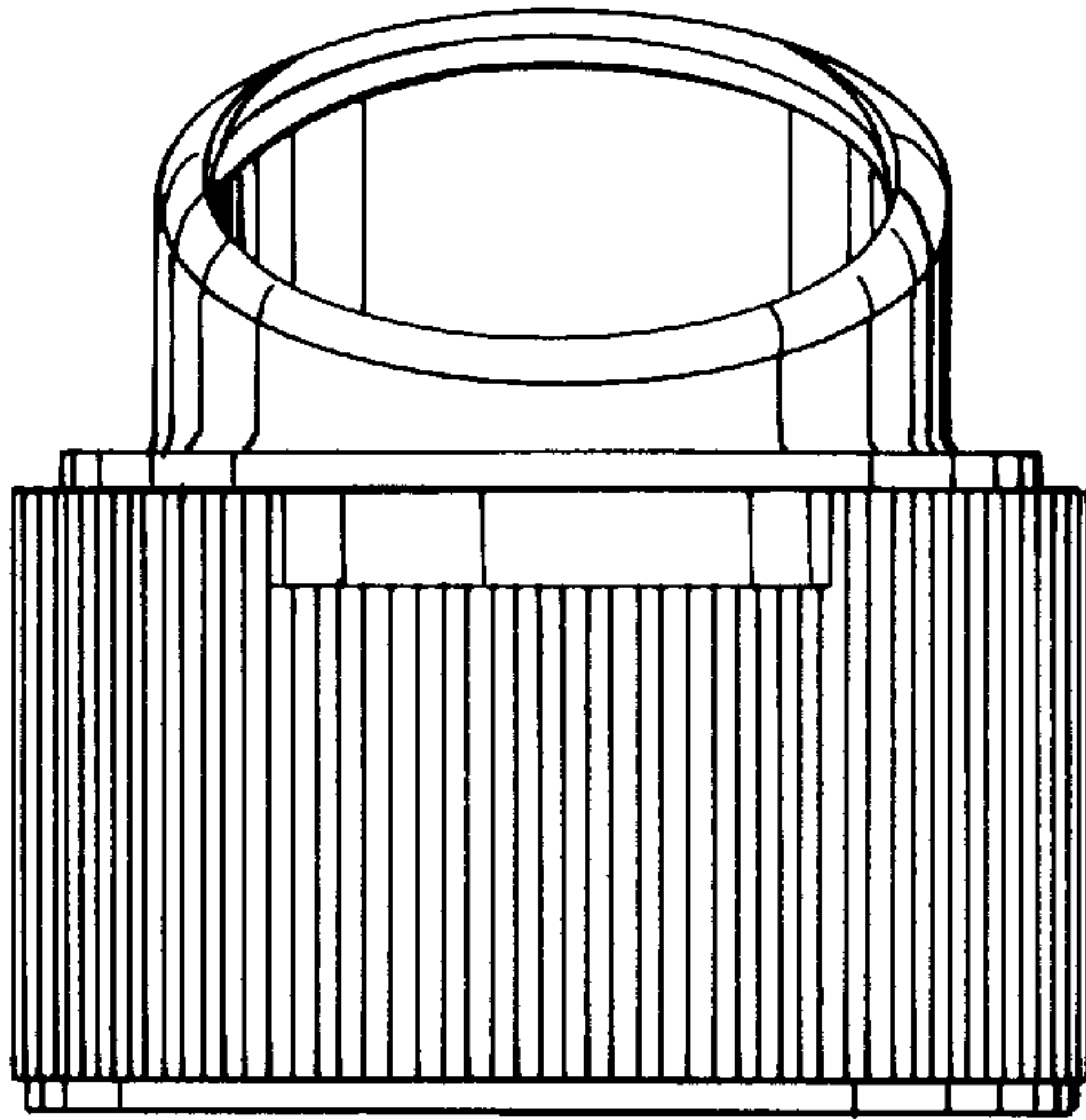


FIG. 5

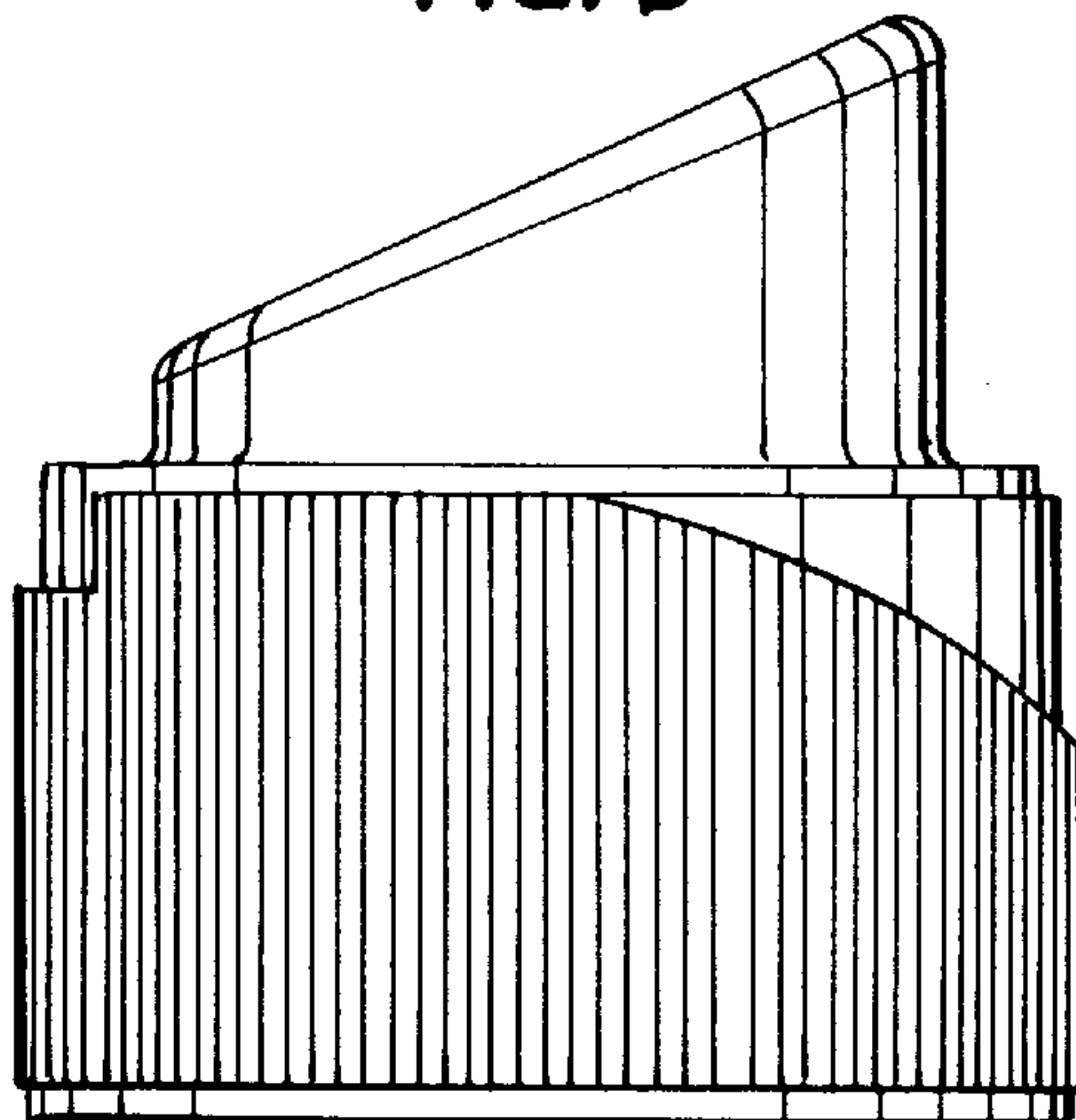


FIG. 6

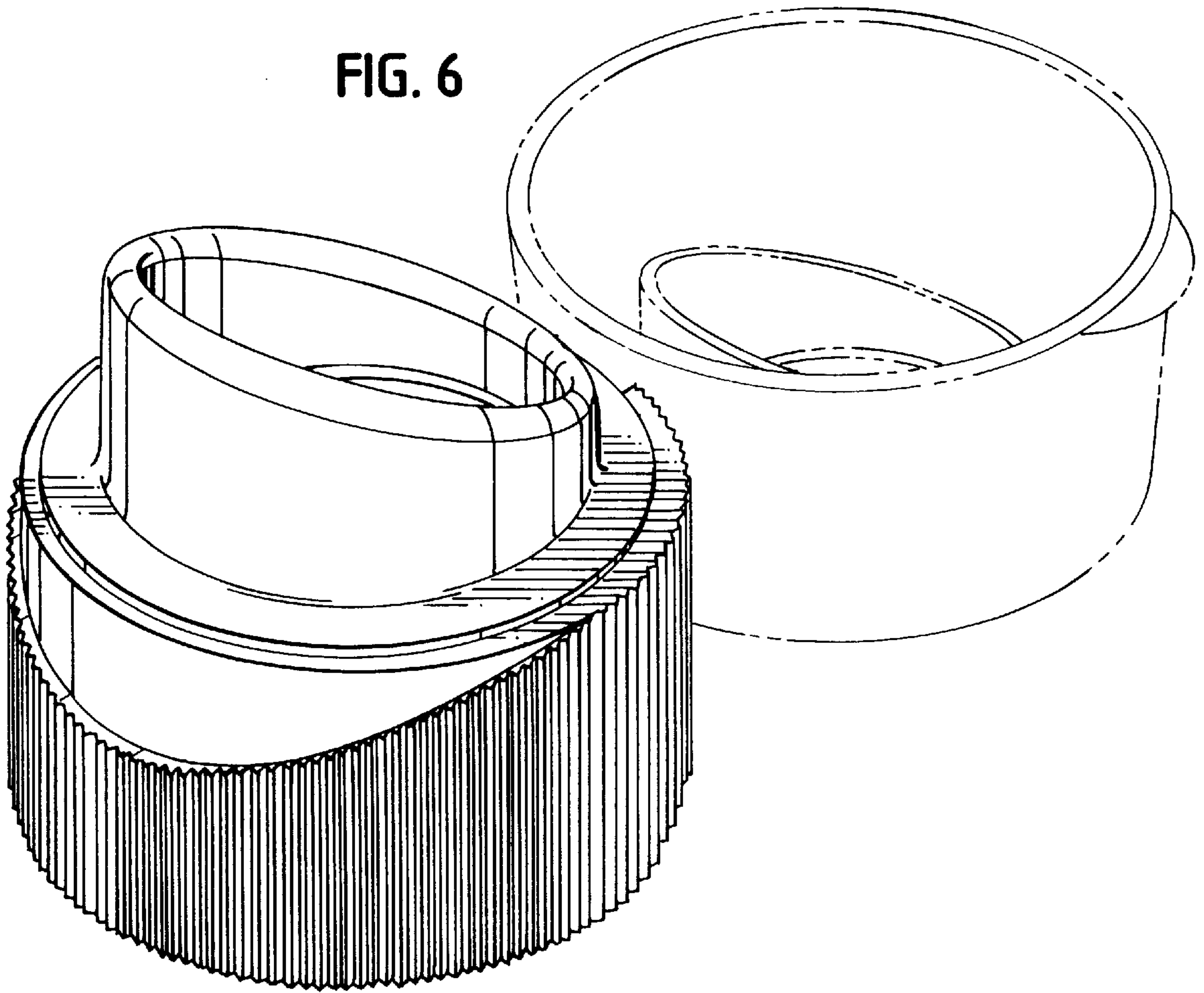


FIG. 7

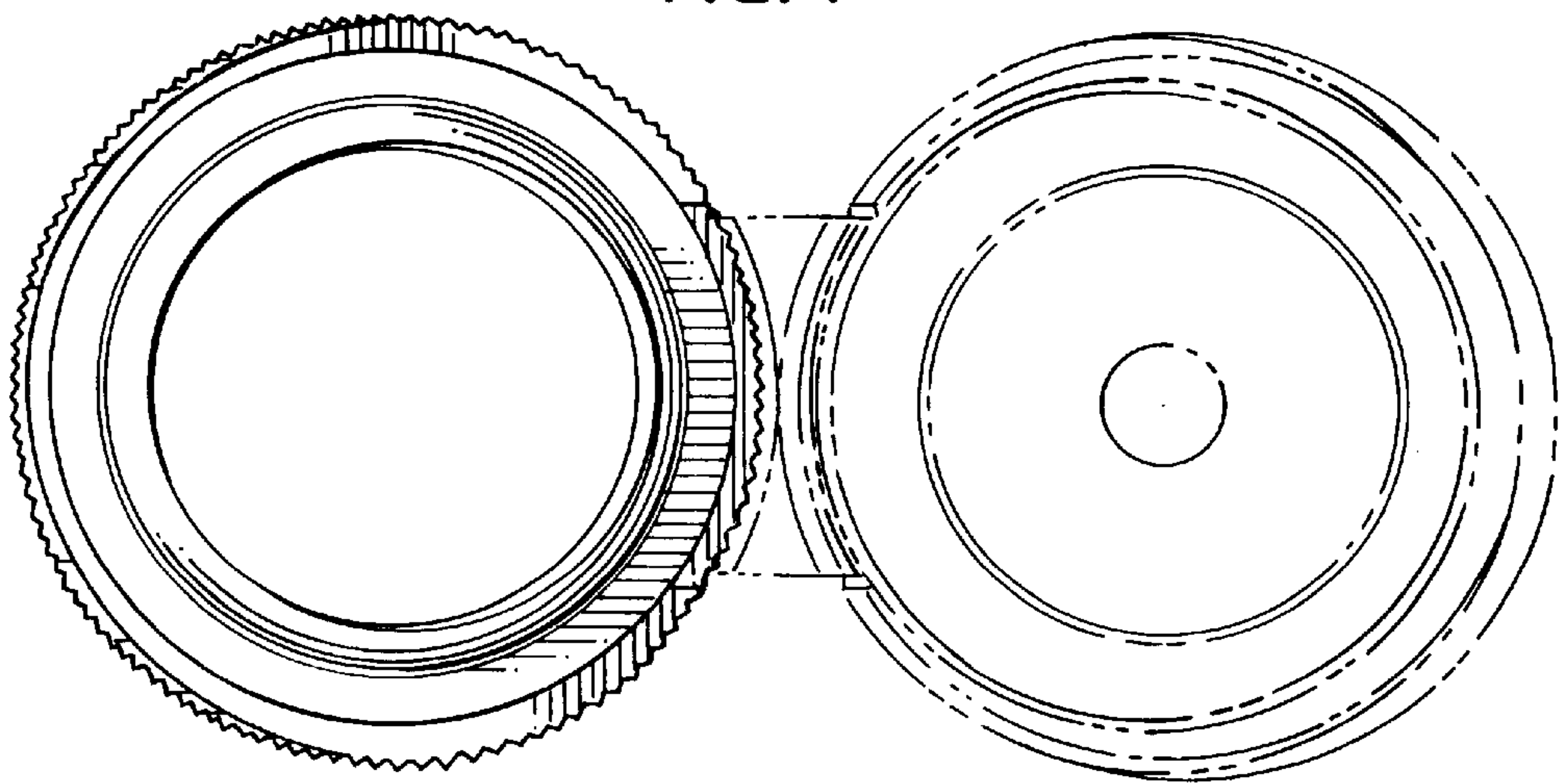


FIG. 8

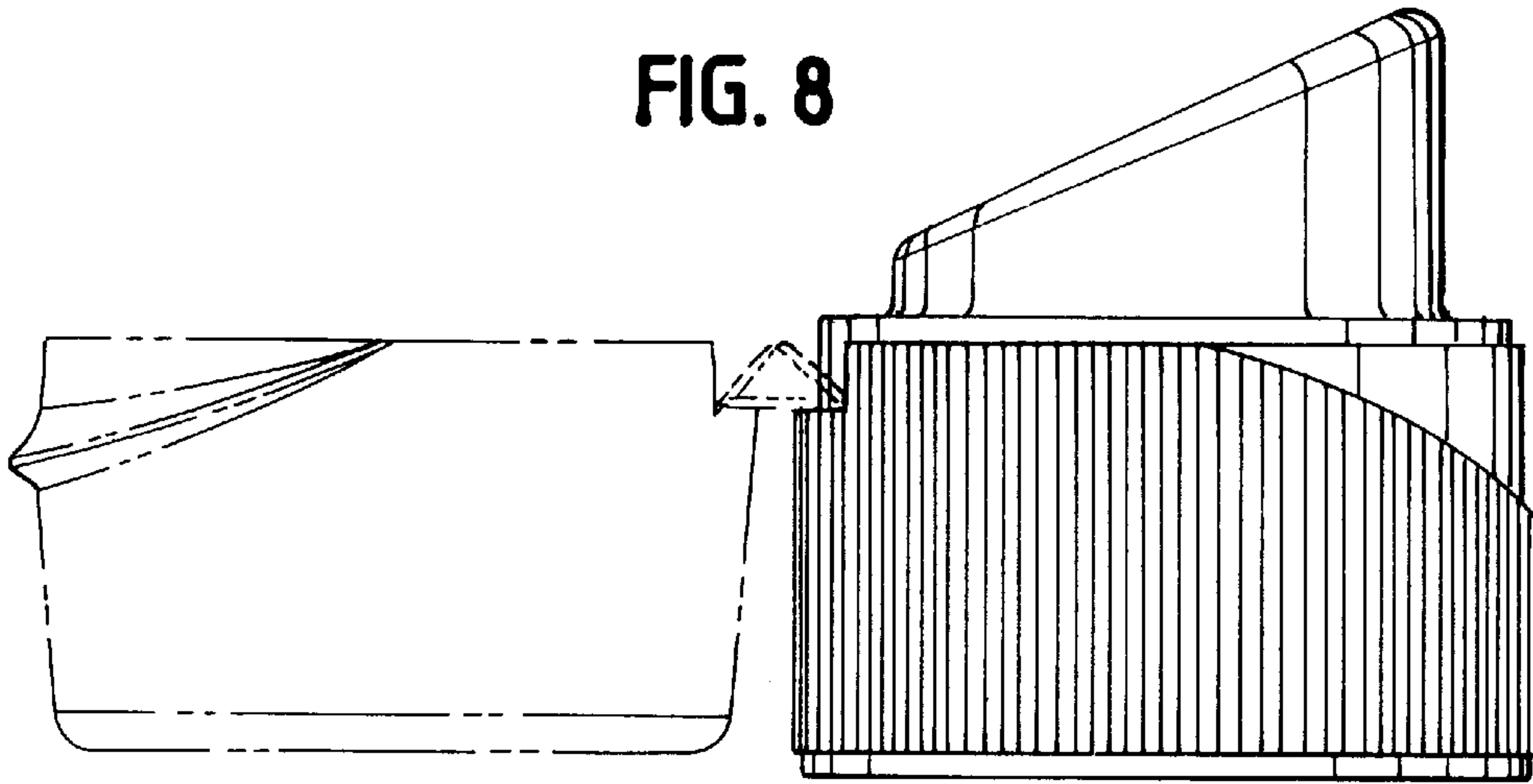


FIG. 9

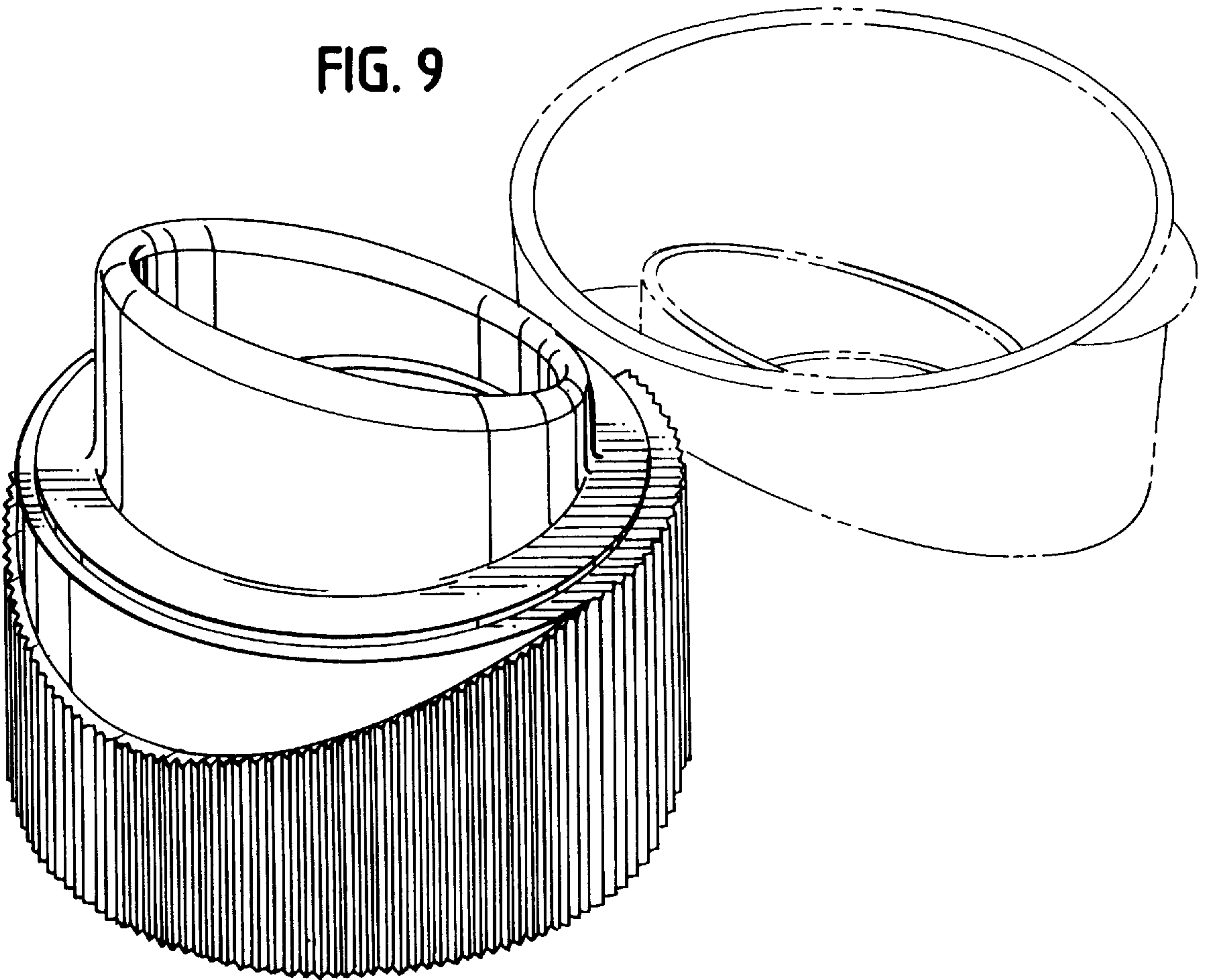


FIG. 10

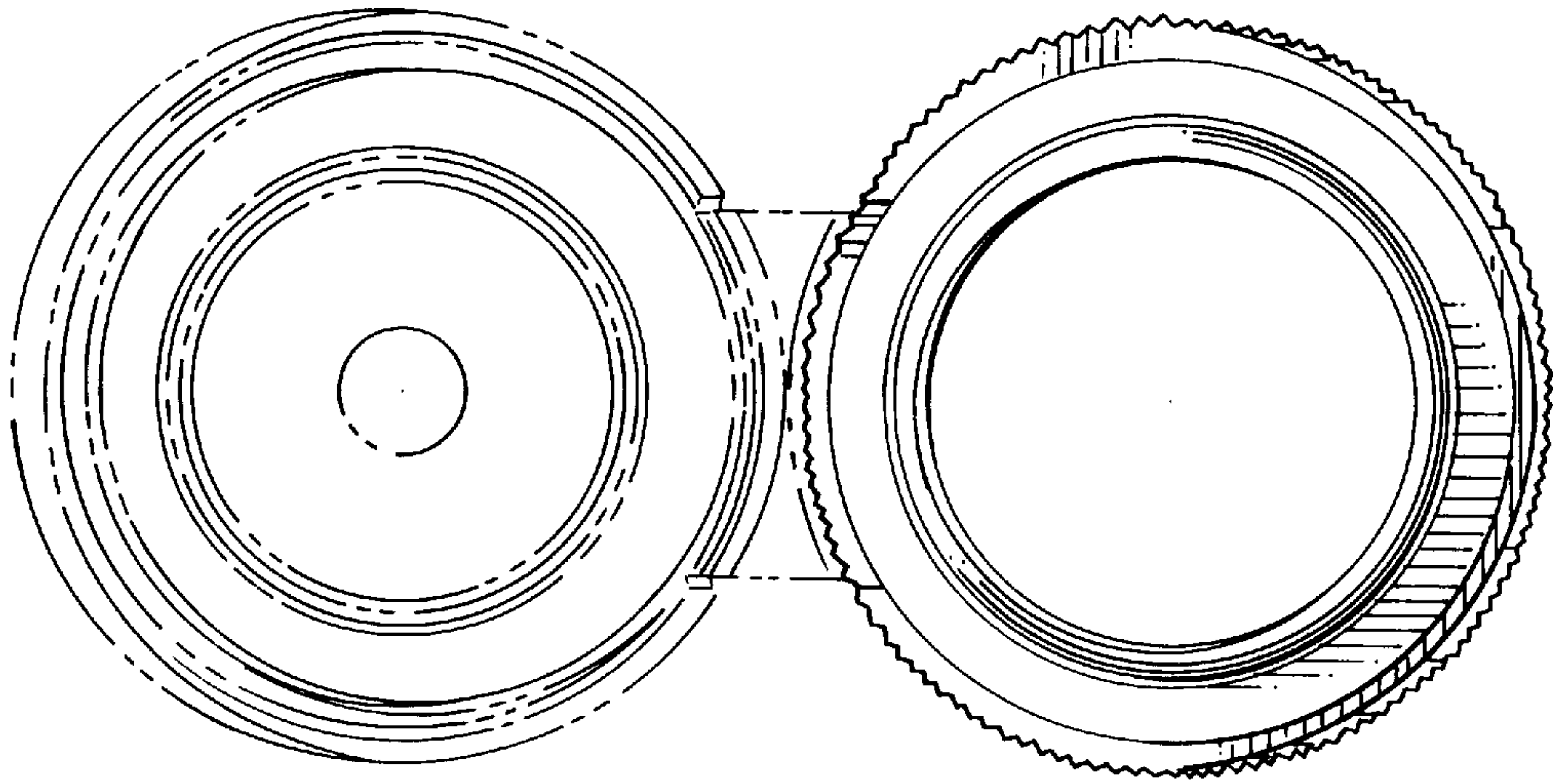


FIG. 11

