



US00D399743S

United States Patent [19]

Coon et al.

[11] Patent Number: **Des. 399,743**

[45] Date of Patent: ****Oct. 20, 1998**

[54] **CHILD RESISTANT CLOSURE**

[75] Inventors: **Dean G. Coon**, Perrysburg; **Michael K. Goettner**, Sylvania, both of Ohio

[73] Assignee: **Owens-Illinois Closure Inc.**, Toledo, Ohio

[**] Term: **14 Years**

[21] Appl. No.: **69,596**

[22] Filed: **Apr. 30, 1997**

[51] **LOC (6) Cl.** **09-07**

[52] **U.S. Cl.** **D9/443; D9/454**

[58] **Field of Search** D9/435, 436, 443, D9/454, 503; 215/200, 203, 217, 228, 230, 316, 329, 330; 220/200, 346, 376

[56] **References Cited**

U.S. PATENT DOCUMENTS

D. 254,480	3/1980	Smalley	D9/454
3,151,599	10/1964	Livingston	215/230 X
3,216,600	11/1965	Dreps	215/230
3,885,695	5/1975	Schaefer	.	
4,020,965	5/1977	Northup	.	
4,051,974	10/1977	Gentile	215/329

4,458,820	7/1984	Abrams	215/230
4,775,062	10/1988	Carle et al.	.	
4,905,851	3/1990	Thompson	215/203
5,197,616	3/1993	Buono	.	
5,462,182	10/1995	Opreisco	215/217 X

Primary Examiner—James Gandy
Assistant Examiner—Cathron B. Matta

[57] **CLAIM**

The ornamental design for a child resistant closure, as shown and described.

DESCRIPTION

FIG. 1 is a top perspective view of the child resistant closure showing our novel design, the opposing perspective view being a mirror image of FIG. 1;

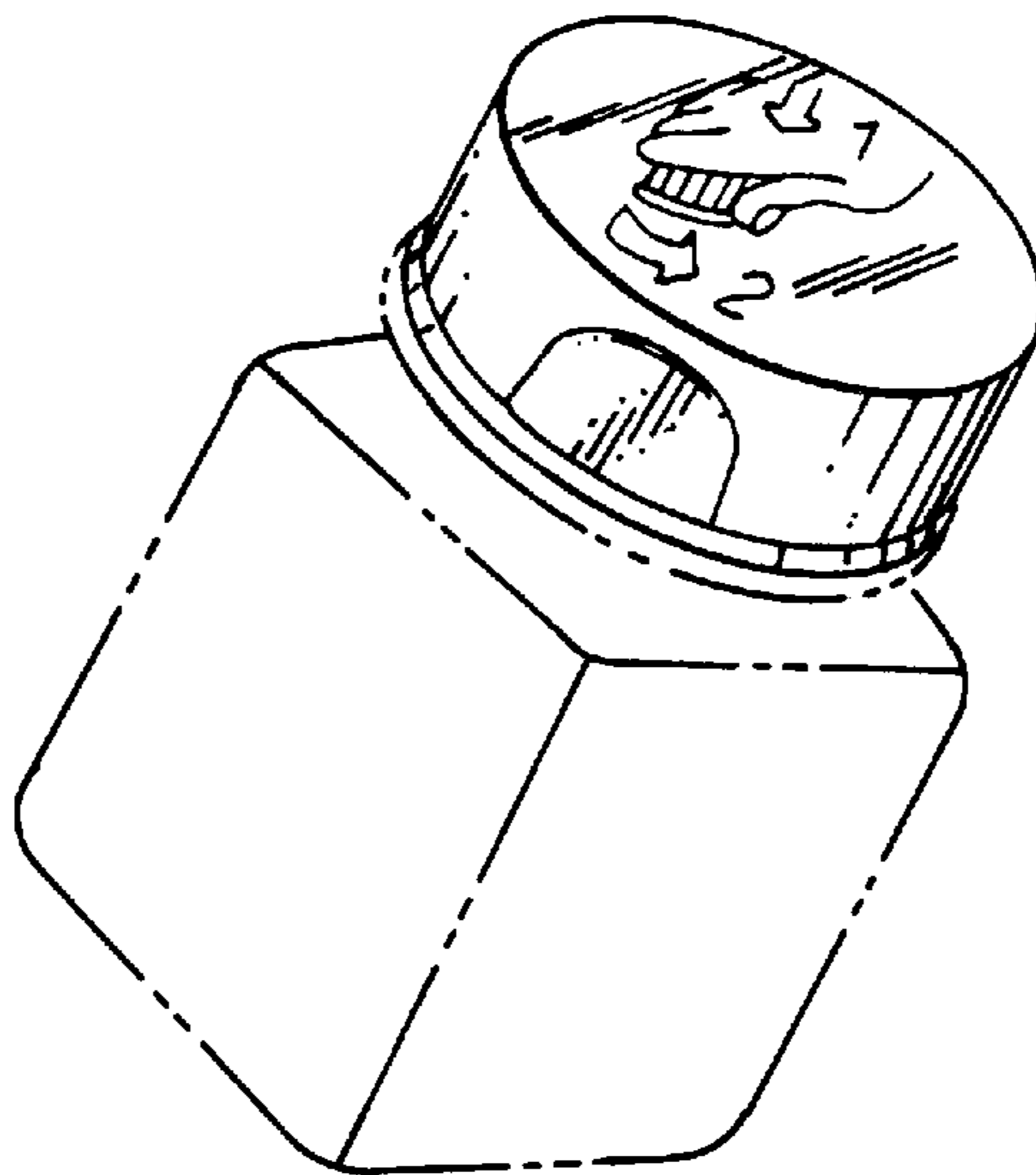
FIG. 2 is a top perspective view from the right in FIG. 1, the opposing perspective view being a mirror image of FIG. 2; and,

FIG. 3 is a top plan view.

The broken line showing of a bottle is for illustrative purposes only and forms no part of the claimed design.

The bottom of the child resistant closure forms no part of the claimed design.

1 Claim, 1 Drawing Sheet



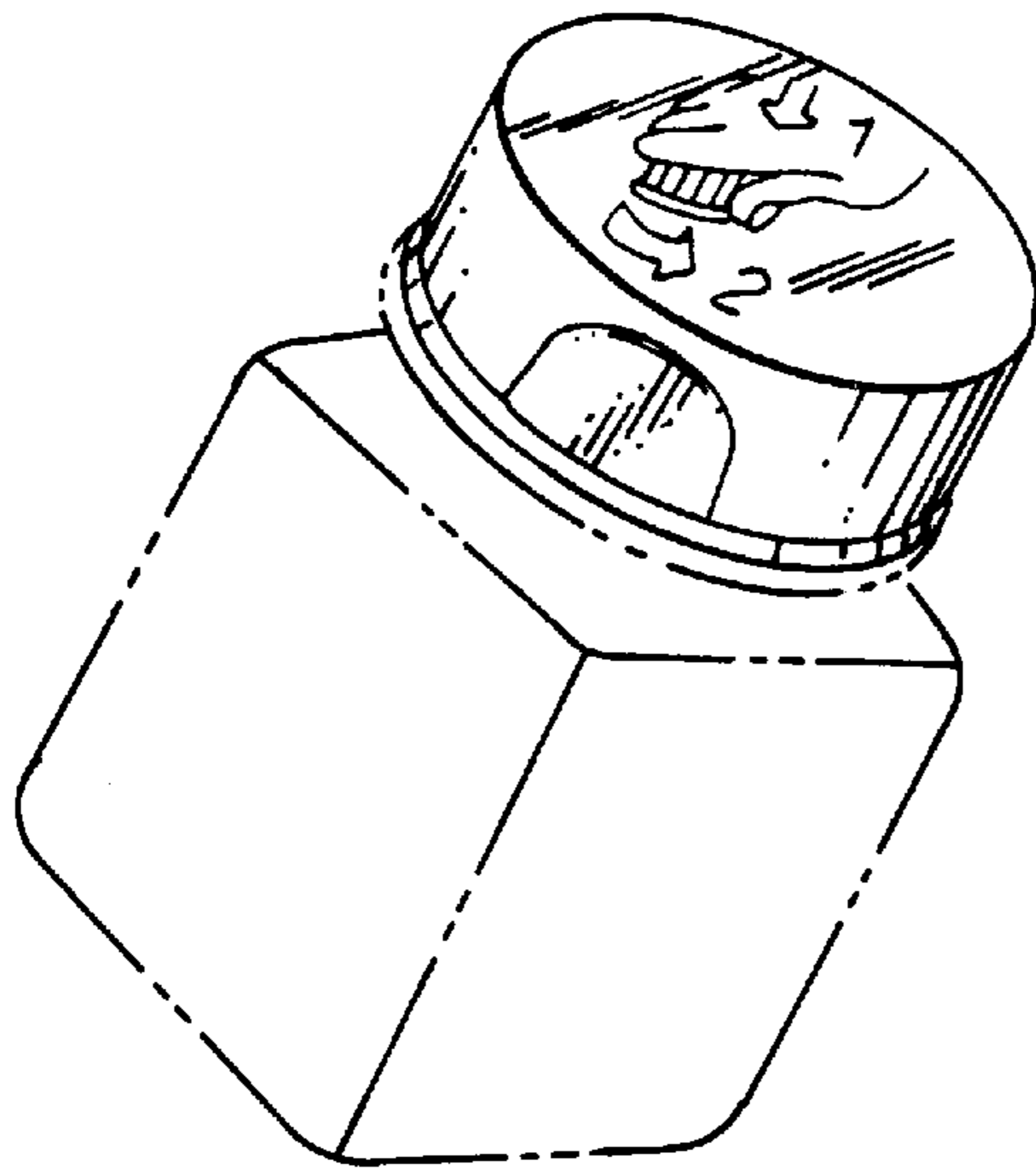


FIG. 1

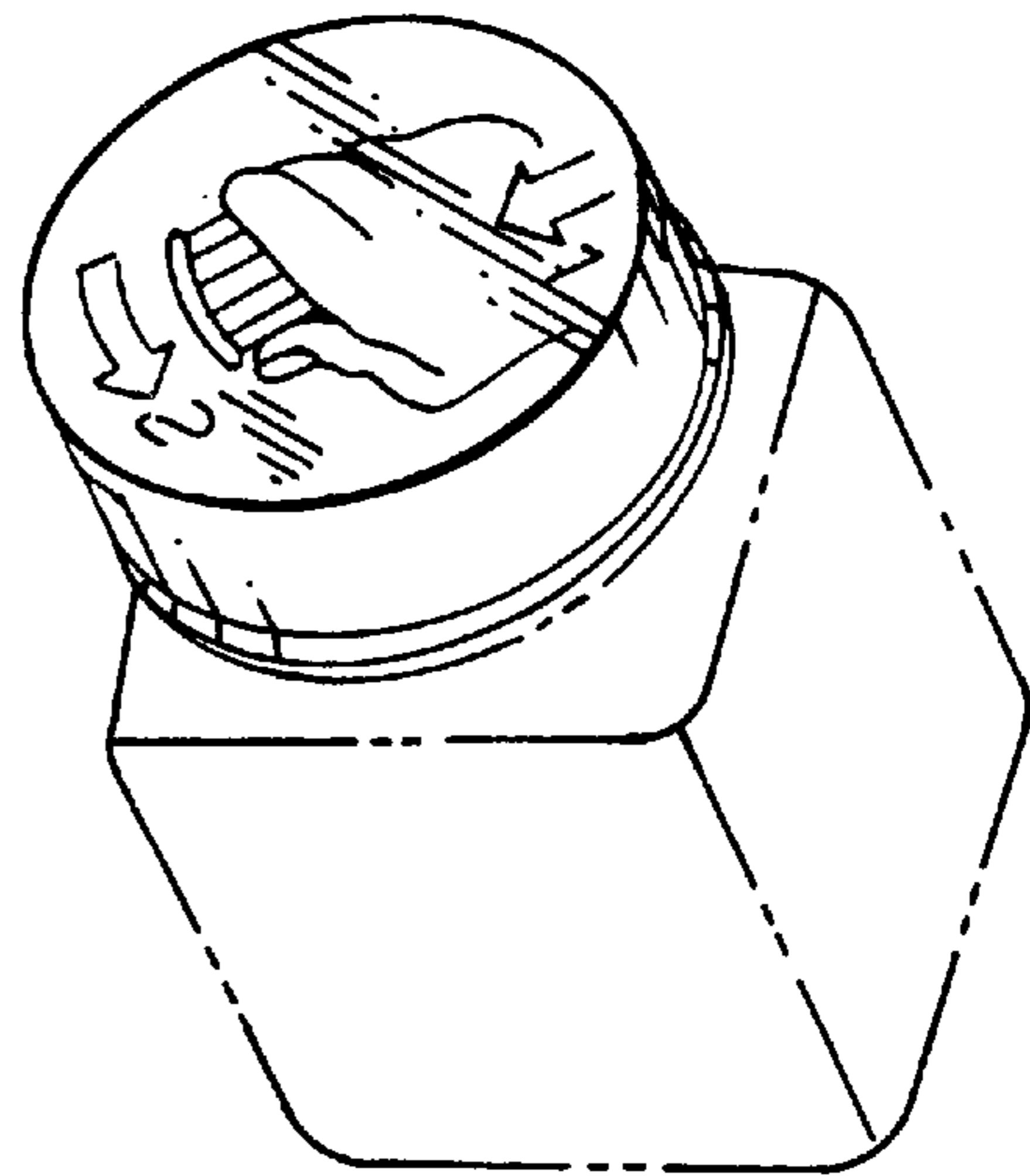


FIG. 2

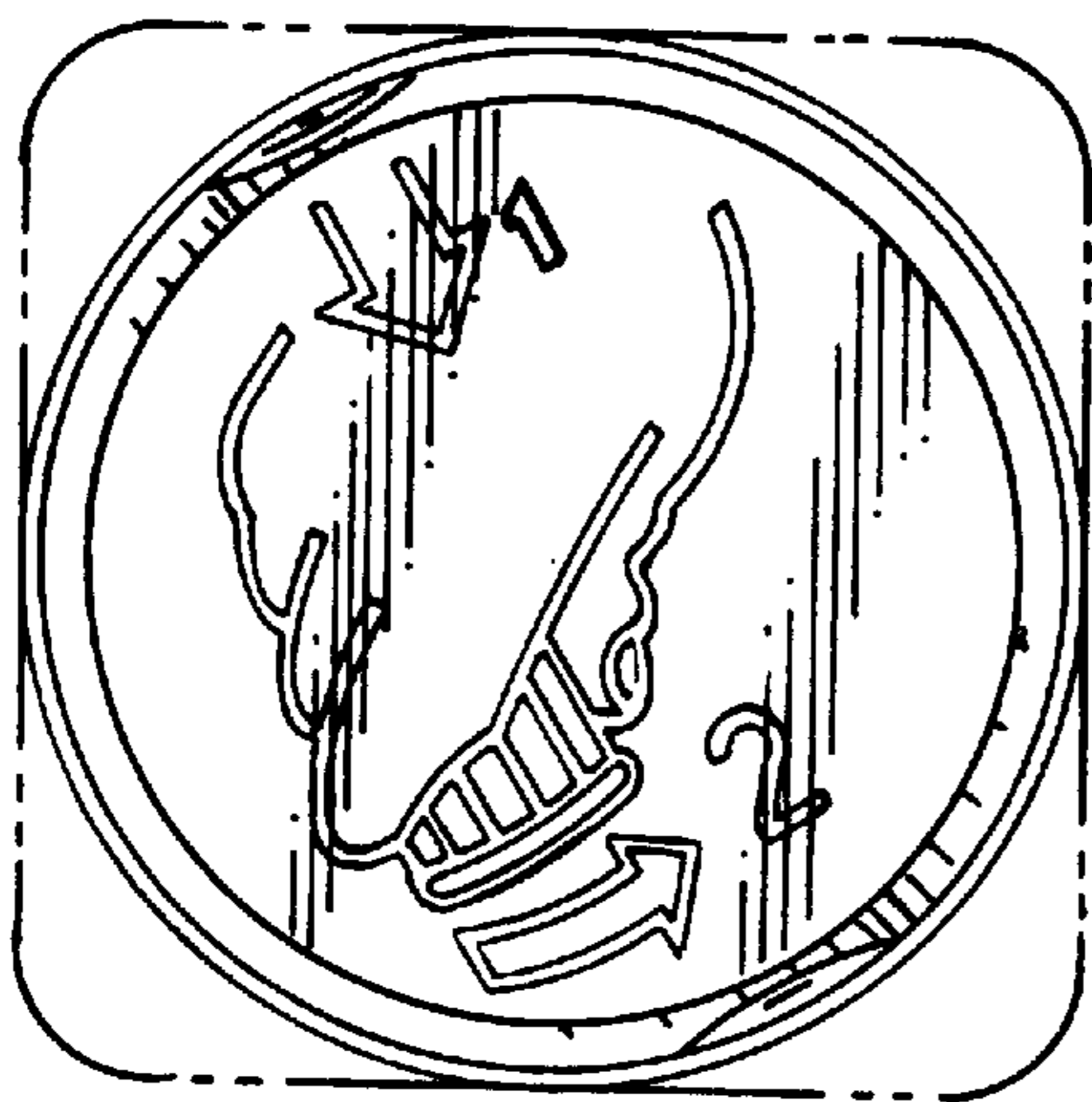


FIG. 3