



US00D399742S

United States Patent [19]

Brauner et al.

[11] **Patent Number: Des. 399,742**

[45] **Date of Patent: **Oct. 20, 1998**

[54] **CARTON TOP**

[75] Inventors: **Arne H. Brauner**, Minnetonka; **Paul M. Torniainen**, Minneapolis, both of Minn.

[73] Assignee: **General Mills, Inc.**, Minneapolis, Minn.

[**] Term: **14 Years**

[21] Appl. No.: **65,445**

[22] Filed: **Nov. 29, 1996**

[51] **LOC (6) Cl.** **09-07**

[52] **U.S. Cl.** **D9/434**

[58] **Field of Search** D9/432, 434, 435; 229/155, 223

[56] **References Cited**

U.S. PATENT DOCUMENTS

3,201,026	8/1965	Travis et al.	229/155
3,302,855	2/1967	Becker	229/155 X
3,366,311	1/1968	Simpson et al.	229/155 X
5,072,877	12/1991	Van Fulpen	229/155

FOREIGN PATENT DOCUMENTS

1355681 2/1964 France 229/155

Primary Examiner—James Gandy
Assistant Examiner—Cathron B. Matta
Attorney, Agent, or Firm—L. MeRoy Lillehaugen; John A. O'Toole

[57] **CLAIM**

The ornamental design for a carton top, as shown and described.

DESCRIPTION

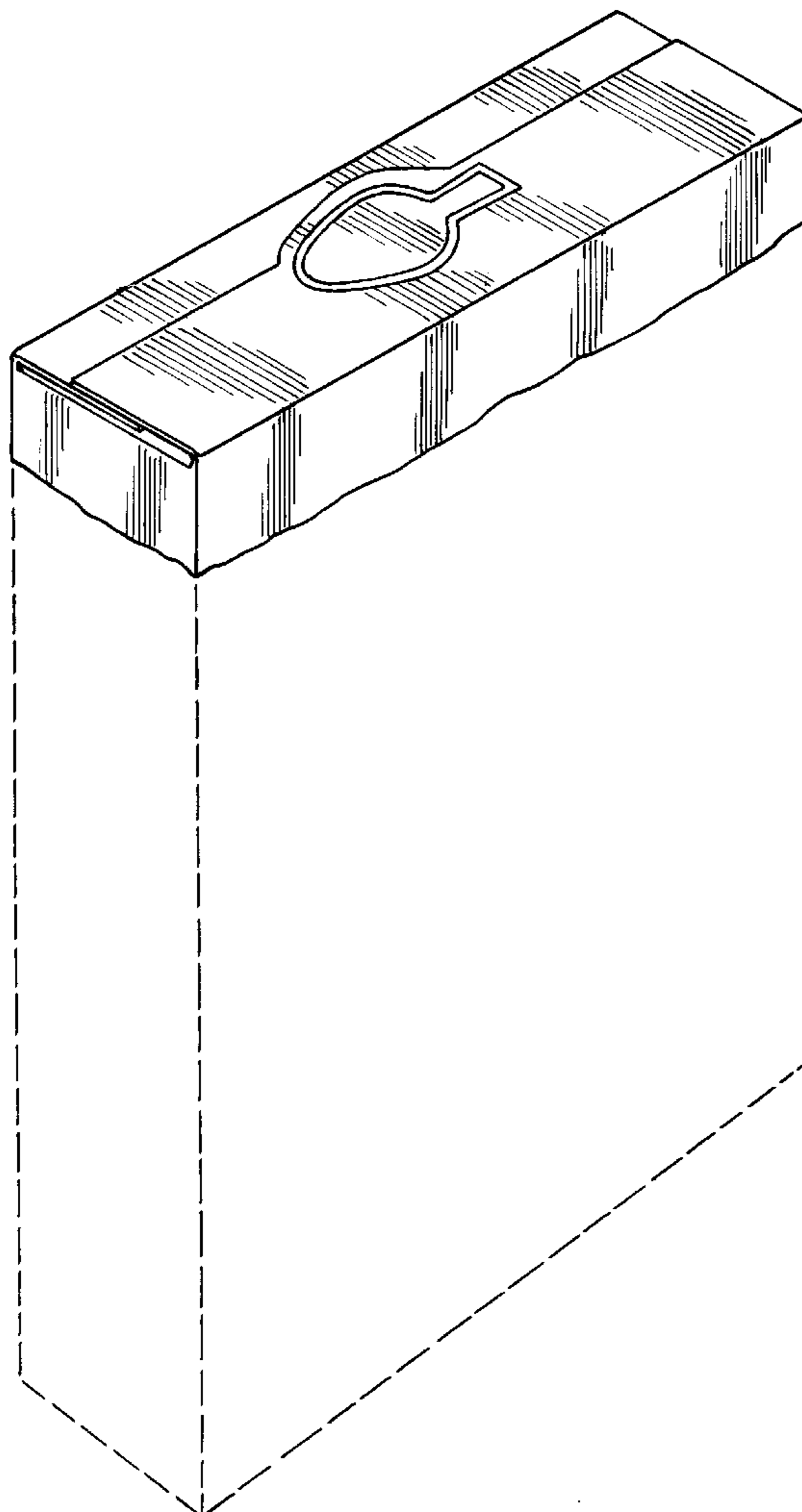
FIG. 1 is a perspective view of a carton top illustrating our new design, the two sides opposite those shown are mirror images thereof;

FIG. 2 is a partial perspective view thereof, illustrating the top in an open condition; and,

FIG. 3 is a partial perspective view thereof, illustrating the top in a closed condition.

The broken line showing of a carton is for illustrative purposes only and forms no part of the claimed design.

1 Claim, 2 Drawing Sheets



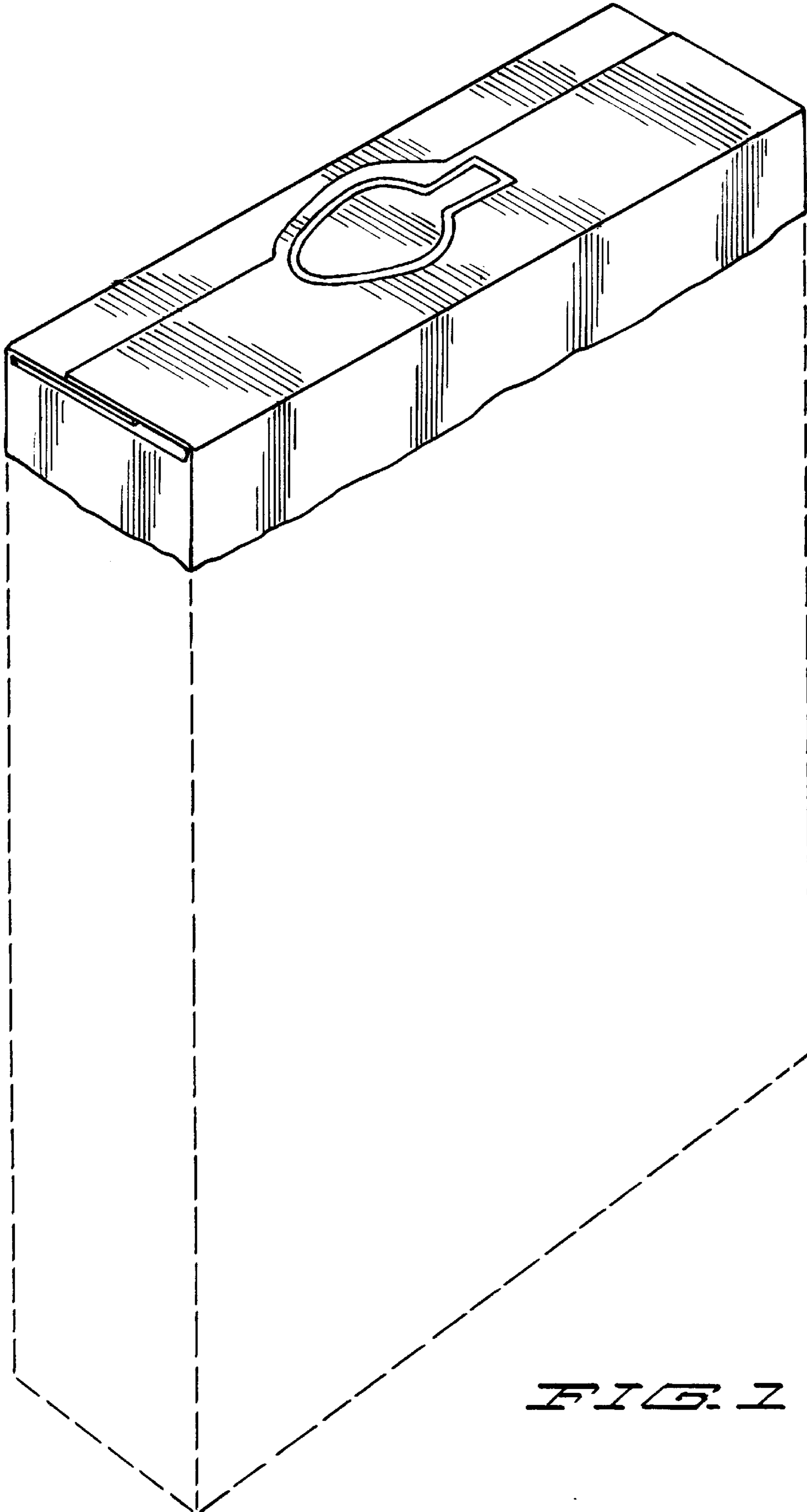


FIG. 1

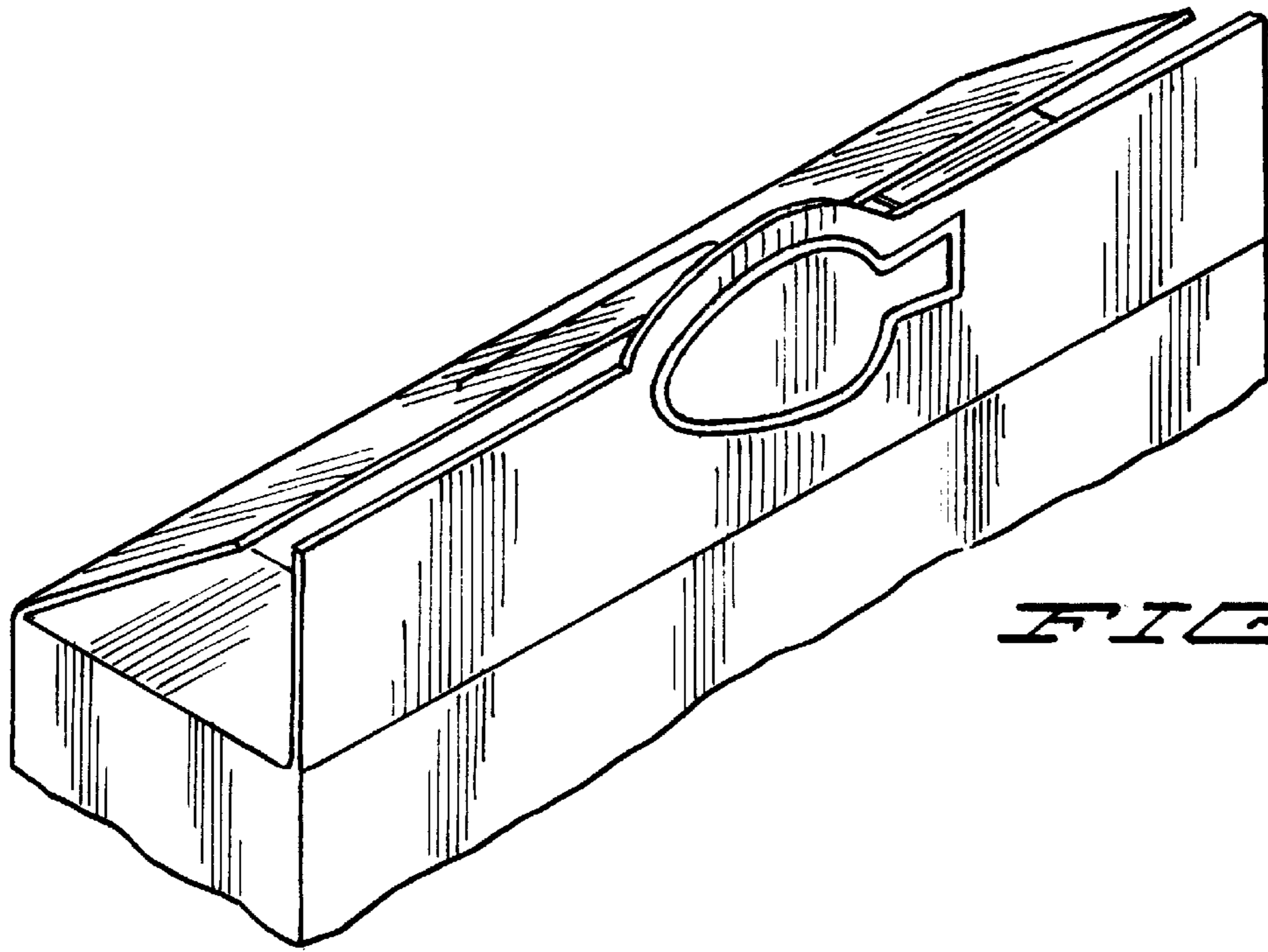


FIG. 2

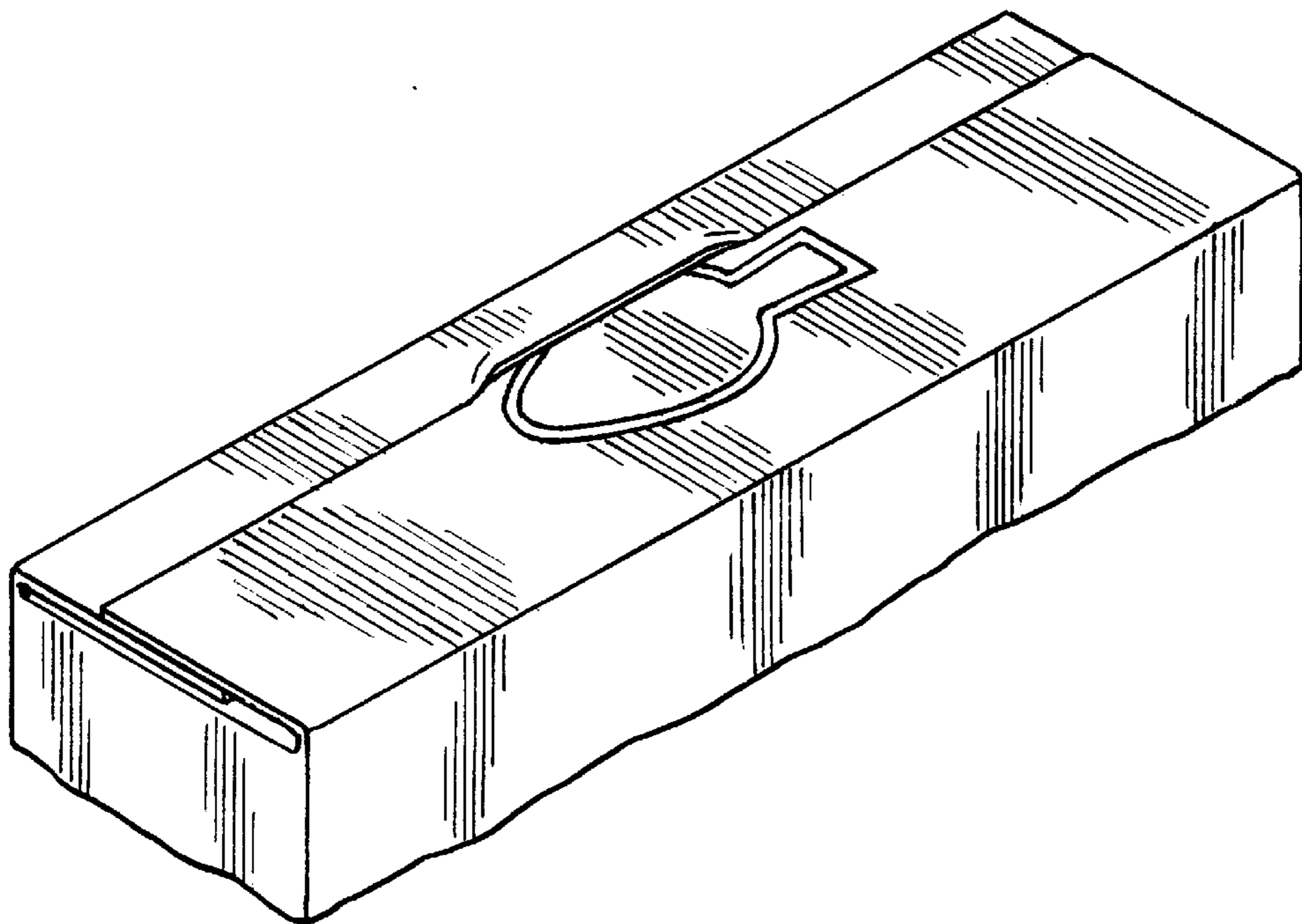


FIG. 3