



US00D399740S

United States Patent [19] Sheffer

[11] Patent Number: Des. 399,740

[45] Date of Patent: **Oct. 20, 1998

[54] COMBINED STACKABLE TRAY AND SHIPPING CARTON

5,505,371 4/1996 O'Neill 229/120.26

[75] Inventor: Phil B. Sheffer, Thomasville, Pa.

[73] Assignee: Pack 'N' Stack, Inc., Philadelphia, Pa.

[**] Term: 14 Years

[21] Appl. No.: 78,021

[22] Filed: Oct. 15, 1997

[51] LOC (6) Cl. 09-03

[52] U.S. Cl. D9/432

[58] Field of Search D9/346, 432, 433;
299/117.08, 119, 240, 915

[56] References Cited

U.S. PATENT DOCUMENTS

D. 348,607	7/1994	Young	D9/432 X
1,941,084	12/1933	Gross	229/34
2,122,885	7/1938	Lowey	229/117.08 X
2,214,813	9/1940	Guyer	229/41
2,233,874	3/1941	Rosenthal	229/31
2,702,663	2/1955	Klein	229/31
3,102,674	9/1963	Hamilton	229/15
3,249,284	5/1966	Wood	D9/432 X
3,258,191	6/1966	Mueller et al.	229/31
3,545,665	12/1970	Nimaroff	229/31
4,356,952	11/1982	Rekow	229/34
4,383,686	5/1983	Chaffers	229/915 X
5,249,550	10/1993	Hines et al.	119/168

FOREIGN PATENT DOCUMENTS

946075 8/1994 South Africa .
959296 11/1995 South Africa .

Primary Examiner—Ted Shooman
Assistant Examiner—Nanda Bondade
Attorney, Agent, or Firm—Eckert Seamans Cherin & Mellott

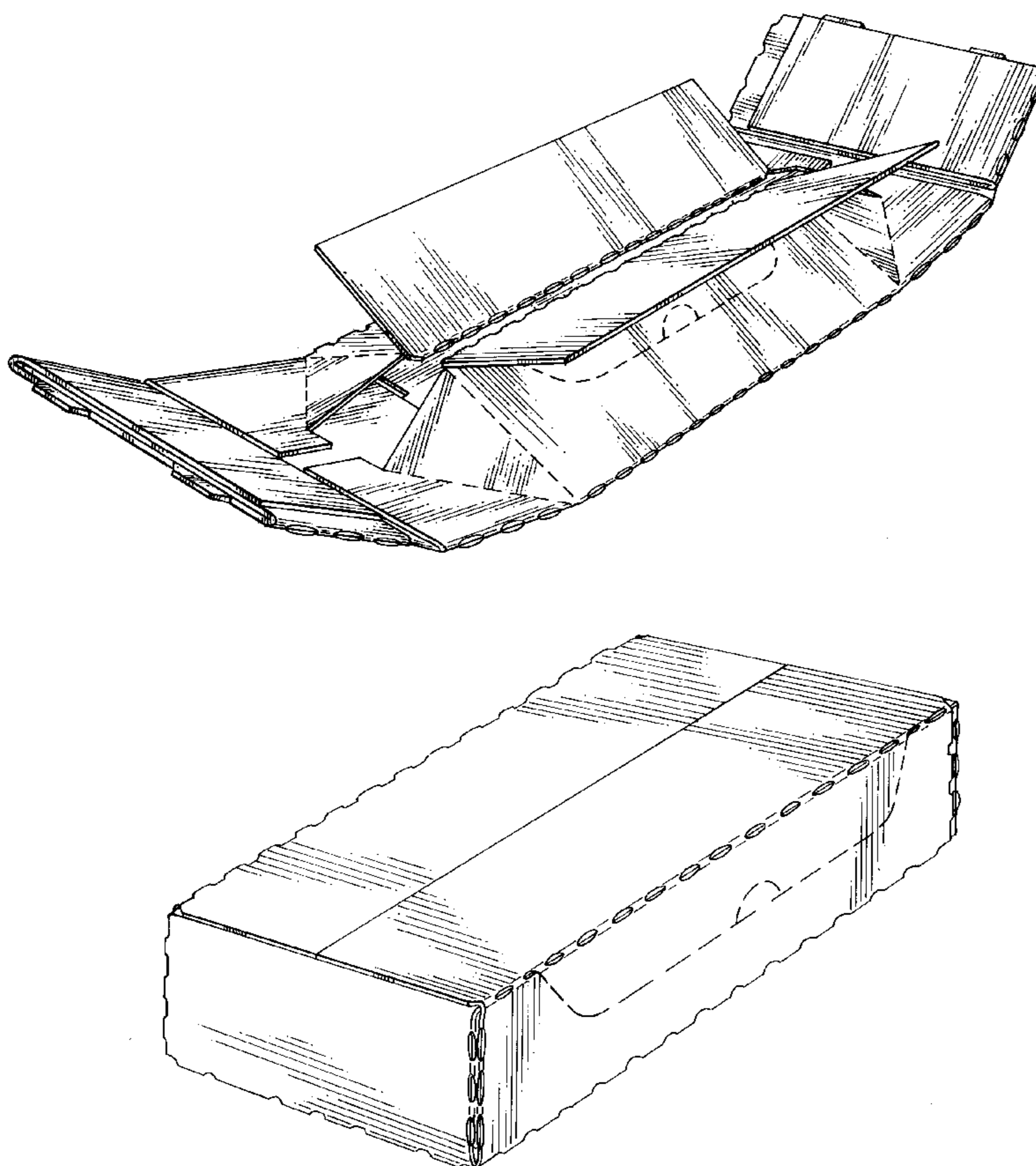
[57] CLAIM

The ornamental design of a combined stackable tray and shipping carton, as shown and described.

DESCRIPTION

FIG. 1 is a perspective view of a combined stackable tray and shipping carton according to the inventive design in the form of a glued blank;
FIG. 2 is a top plan view thereof;
FIG. 3 is a front elevational view thereof;
FIG. 4 is an elevational view of one side, the other side being a mirror image thereof;
FIG. 5 is a bottom plan view thereof; and,
FIG. 6 is a perspective view of the combined stackable tray and shipping carton after the glued blank therefor has been erected.
The broken line showing on FIGS. 1, 3 and 6 represent fold lines.

1 Claim, 4 Drawing Sheets



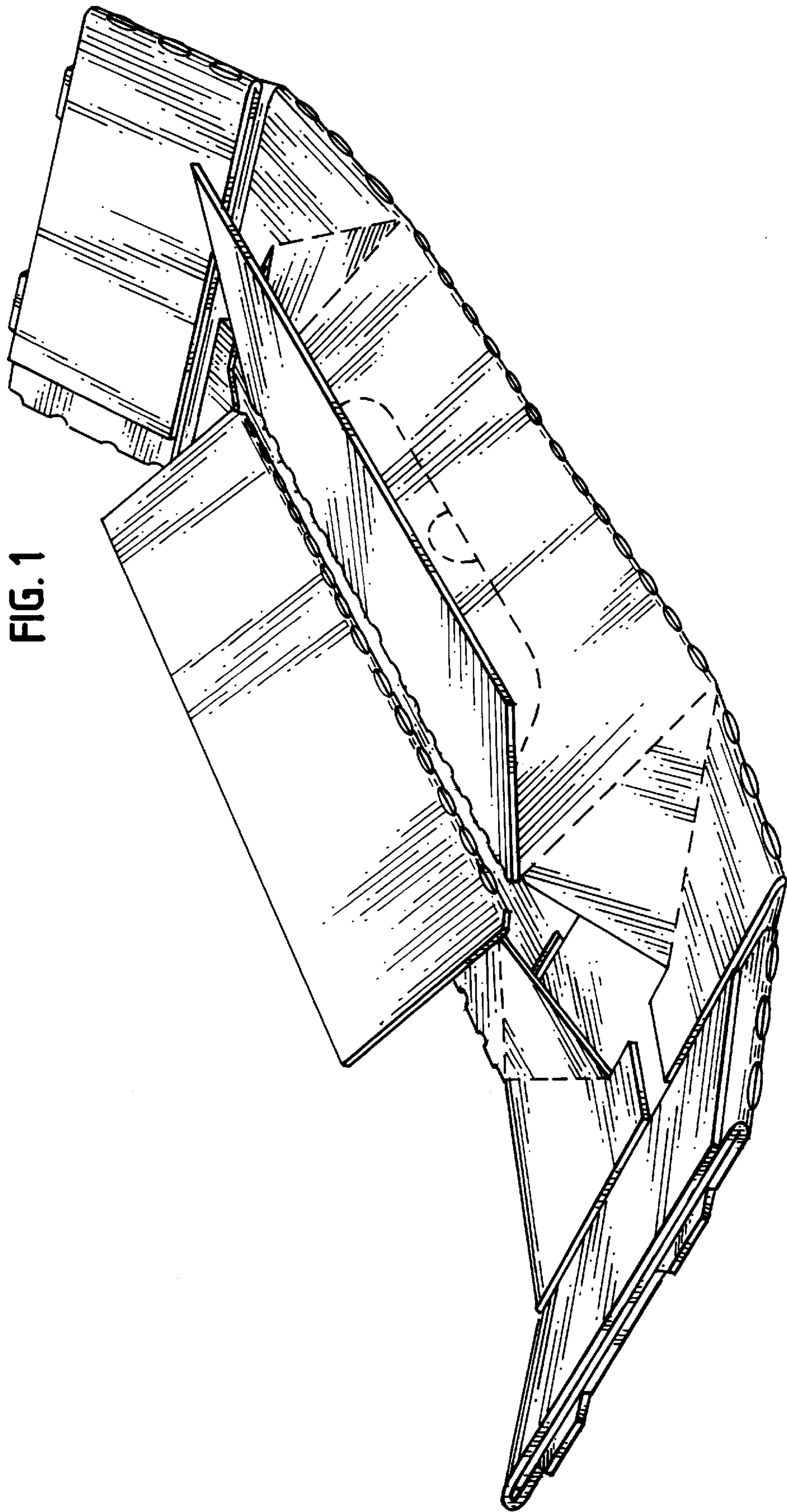


FIG. 1

FIG. 2

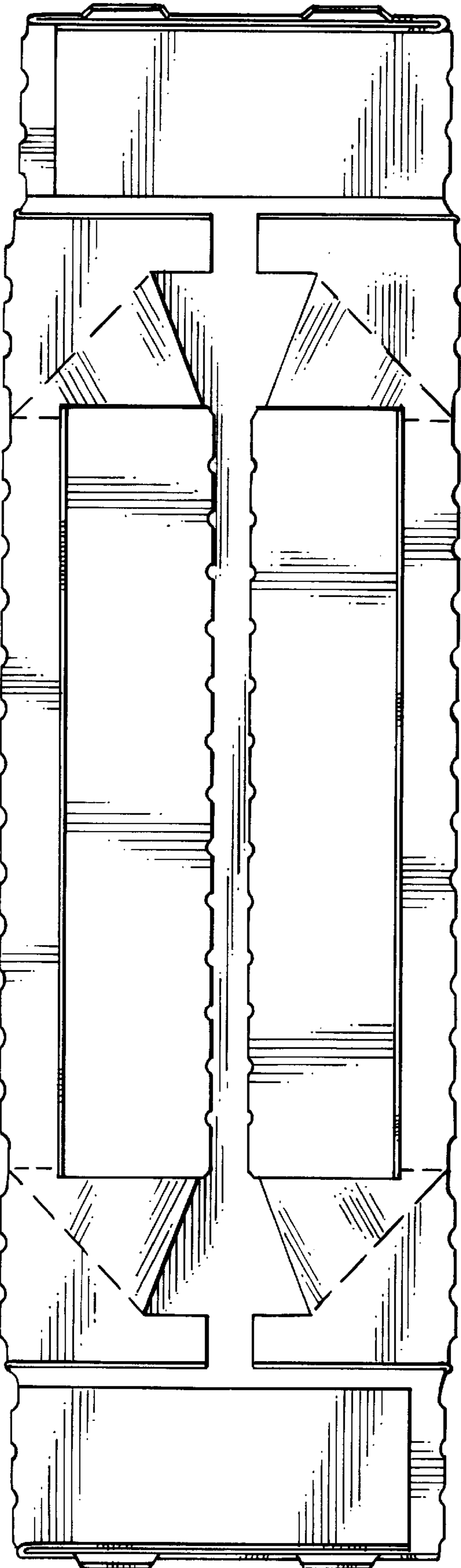


FIG. 3

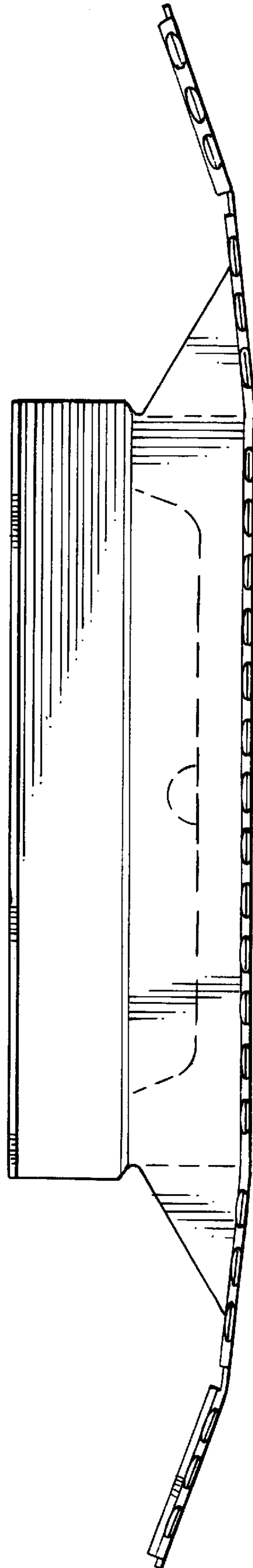


FIG. 4

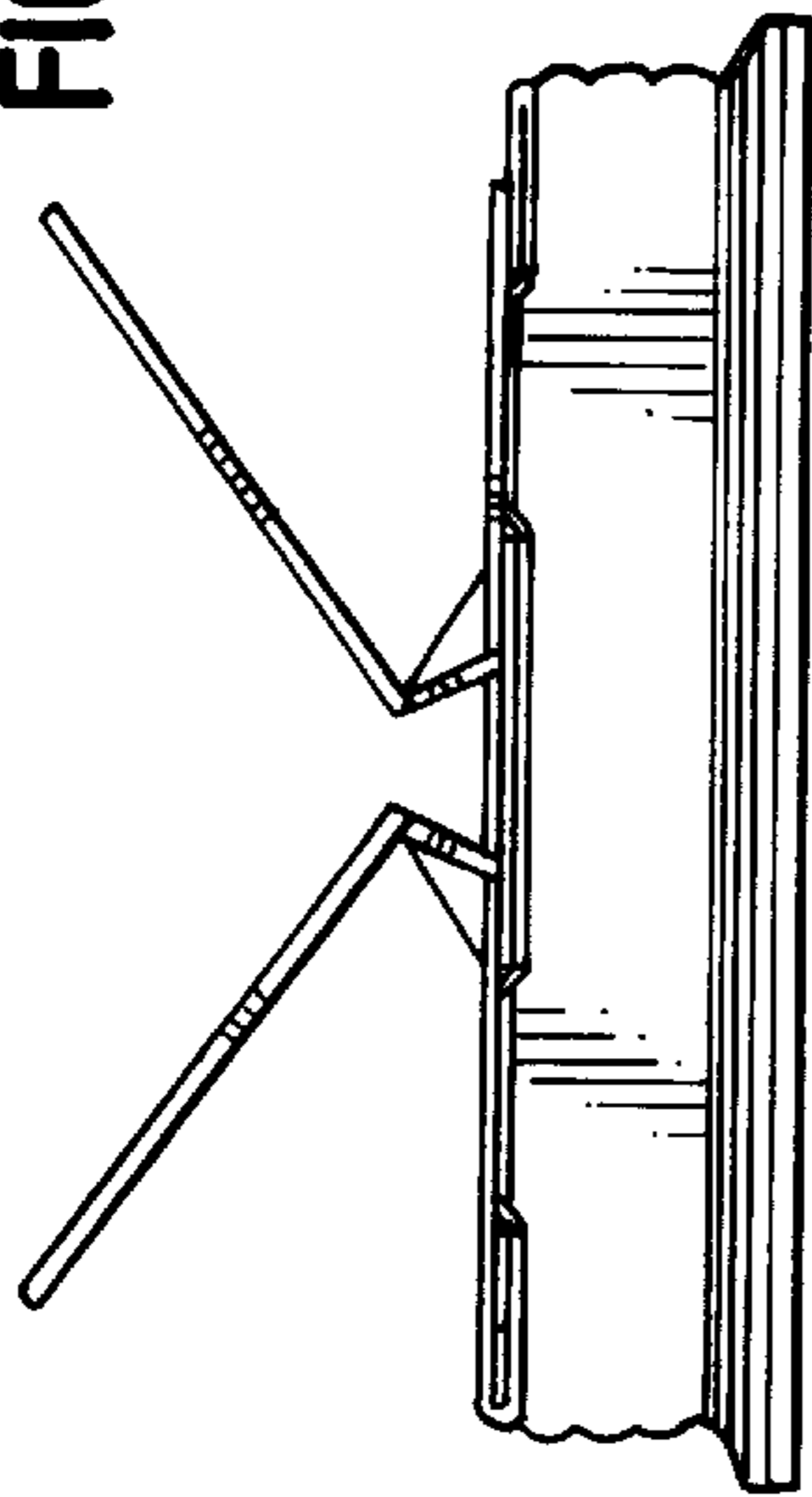


FIG. 5

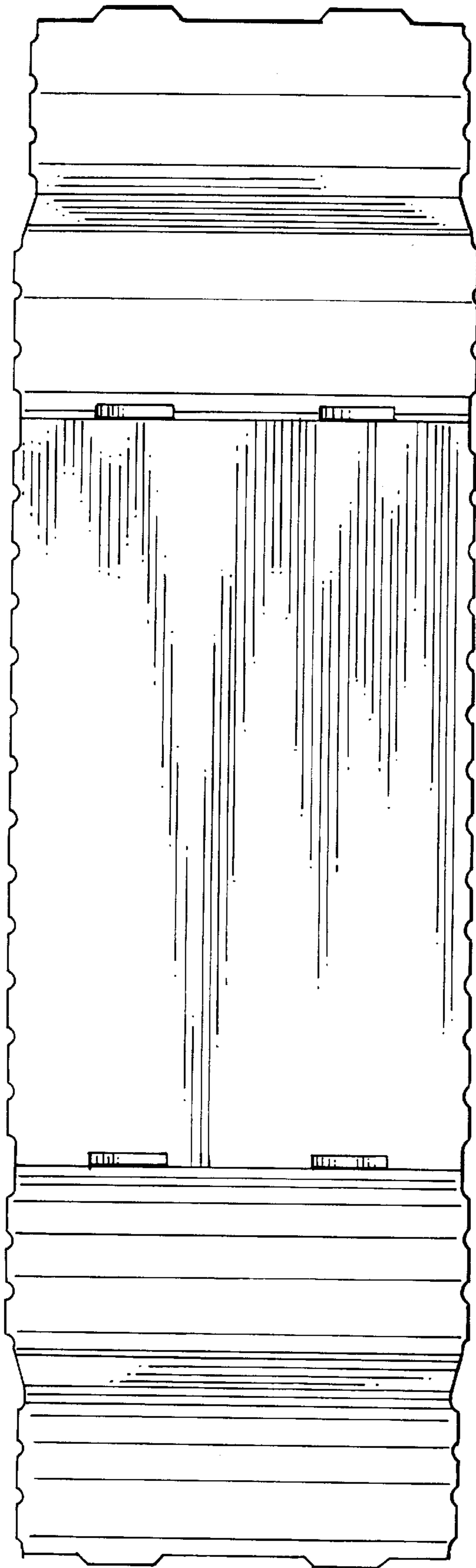


FIG. 6

