



US00D399738S

United States Patent [19]

B-Jensen et al.

[11] **Patent Number: Des. 399,738**

[45] **Date of Patent: **Oct. 20, 1998**

[54] **CONTAINER FOR WELDING WIRE**

[75] Inventors: **Bernt-Inge B-Jensen**, Kungälv; **Gilbert Carlsson**, Alingsås, both of Sweden

[73] Assignee: **Esab AB**, Gothenburg, Sweden

[**] Term: **14 Years**

[21] Appl. No.: **79,734**

[22] Filed: **Nov. 20, 1997**

[30] **Foreign Application Priority Data**

May 20, 1997 [SE] Sweden 97-1157

[51] **LOC (6) Cl.** **09-03**

[52] **U.S. Cl.** **D9/430**

[58] **Field of Search** D9/341, 346, 414,
D9/418, 430, 431; 229/109, 162, 110; 206/395,
408

[56] **References Cited**

U.S. PATENT DOCUMENTS

D. 372,423	8/1996	Cook	D9/430	X
4,729,505	3/1988	Remaks et al.	229/109	X
5,064,066	11/1991	Barnes	206/395	
5,103,977	4/1992	Douglas	206/408	
5,257,734	11/1993	Bartle	229/109	

FOREIGN PATENT DOCUMENTS

2686060	7/1993	France	229/110	
2026427	2/1980	United Kingdom	229/109	

Primary Examiner—Ted Shooman
Assistant Examiner—Nanda Bondade

Attorney, Agent, or Firm—Dvorak & Orum

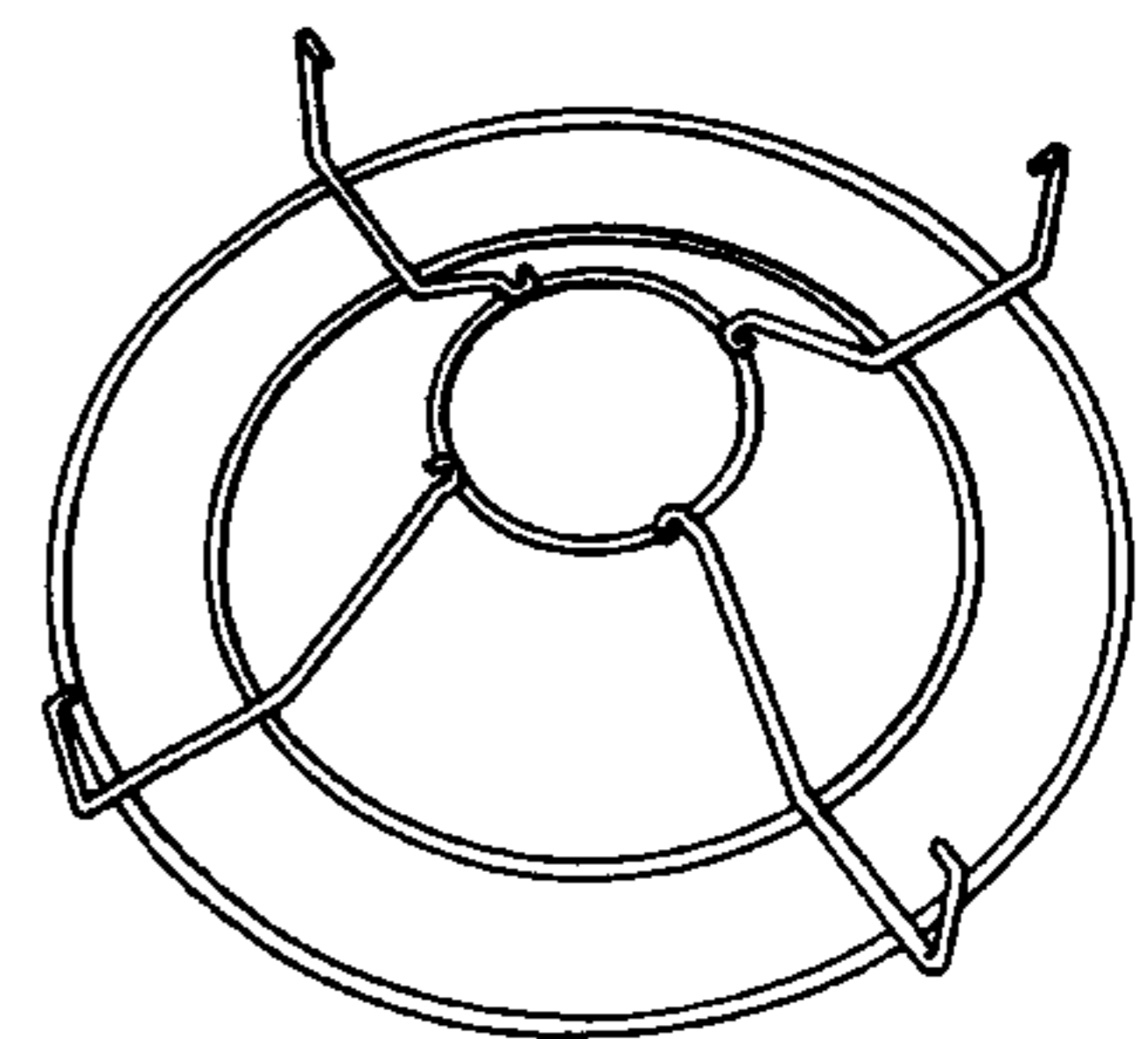
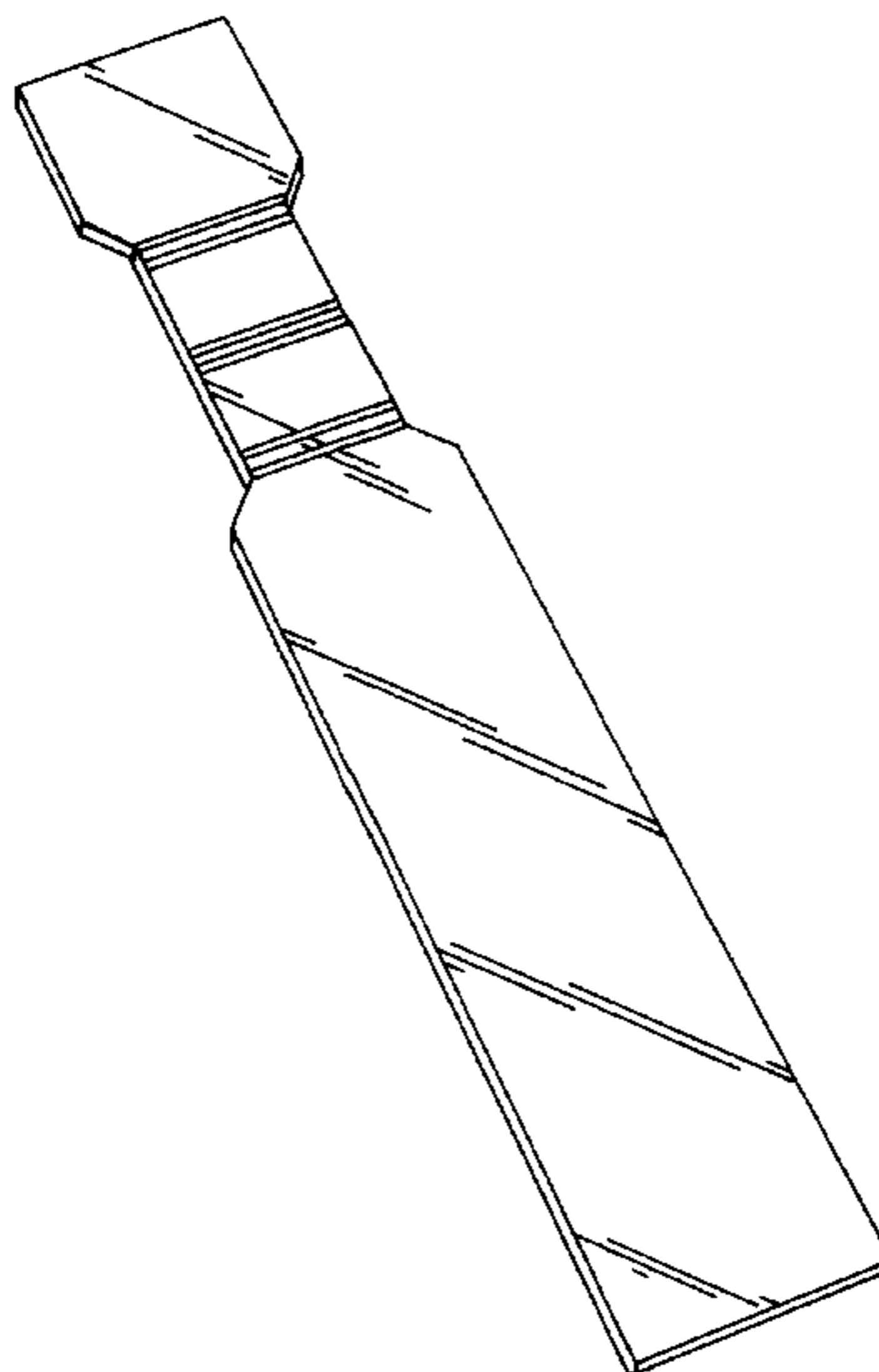
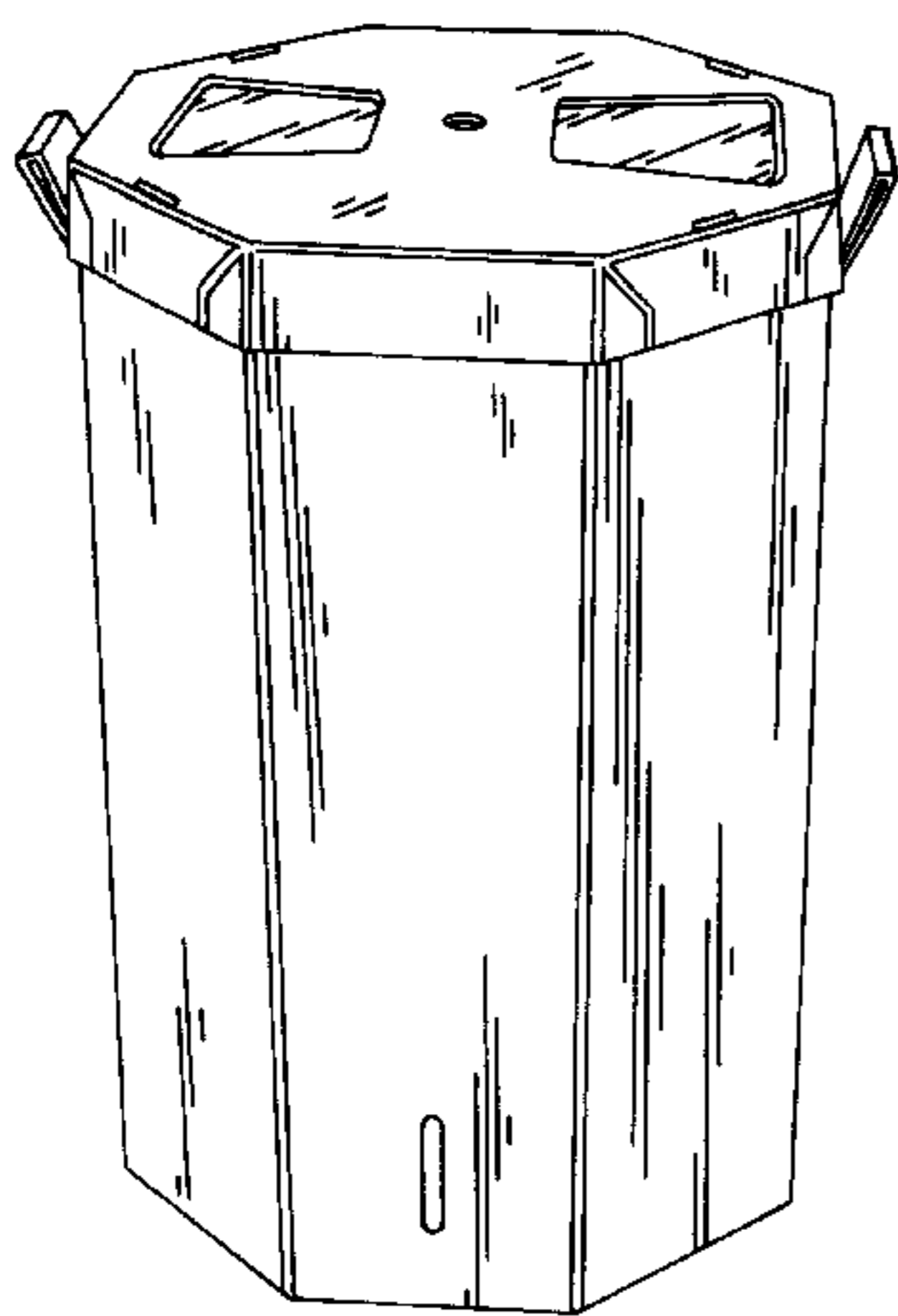
[57] **CLAIM**

The ornamental design for a container for welding wire, as shown and described.

DESCRIPTION

FIG. 1 is a perspective view of the container for welding wire showing the new design;
 FIG. 2 is a front elevational view thereof;
 FIG. 3 is a bottom plan view thereof;
 FIG. 4 is a top plan view thereof;
 FIG. 5 is a right side elevational view thereof;
 FIG. 6 is a rear elevational view thereof;
 FIG. 7 is a left side elevational view thereof;
 FIG. 8 is a perspective view of the handle blank for the container for welding wire, shown separately for clarity of illustration;
 FIG. 9 is a front elevational view thereof;
 FIG. 10 is a right side elevational view thereof;
 FIG. 11 is a rear elevational view thereof;
 FIG. 12 is a left side elevational view thereof;
 FIG. 13 is a bottom plan view thereof;
 FIG. 14 is a top plan view thereof;
 FIG. 15 a perspective view of the retainer for the container for welding wire, shown separately for clarity of illustration;
 FIG. 16 is a bottom plan view thereof;
 FIG. 17 is a right side elevational view thereof, the opposite side being identical;
 FIG. 18 is a top plan view thereof; and,
 FIG. 19 is a front elevational view thereof, the rear elevational view being identical.

1 Claim, 4 Drawing Sheets



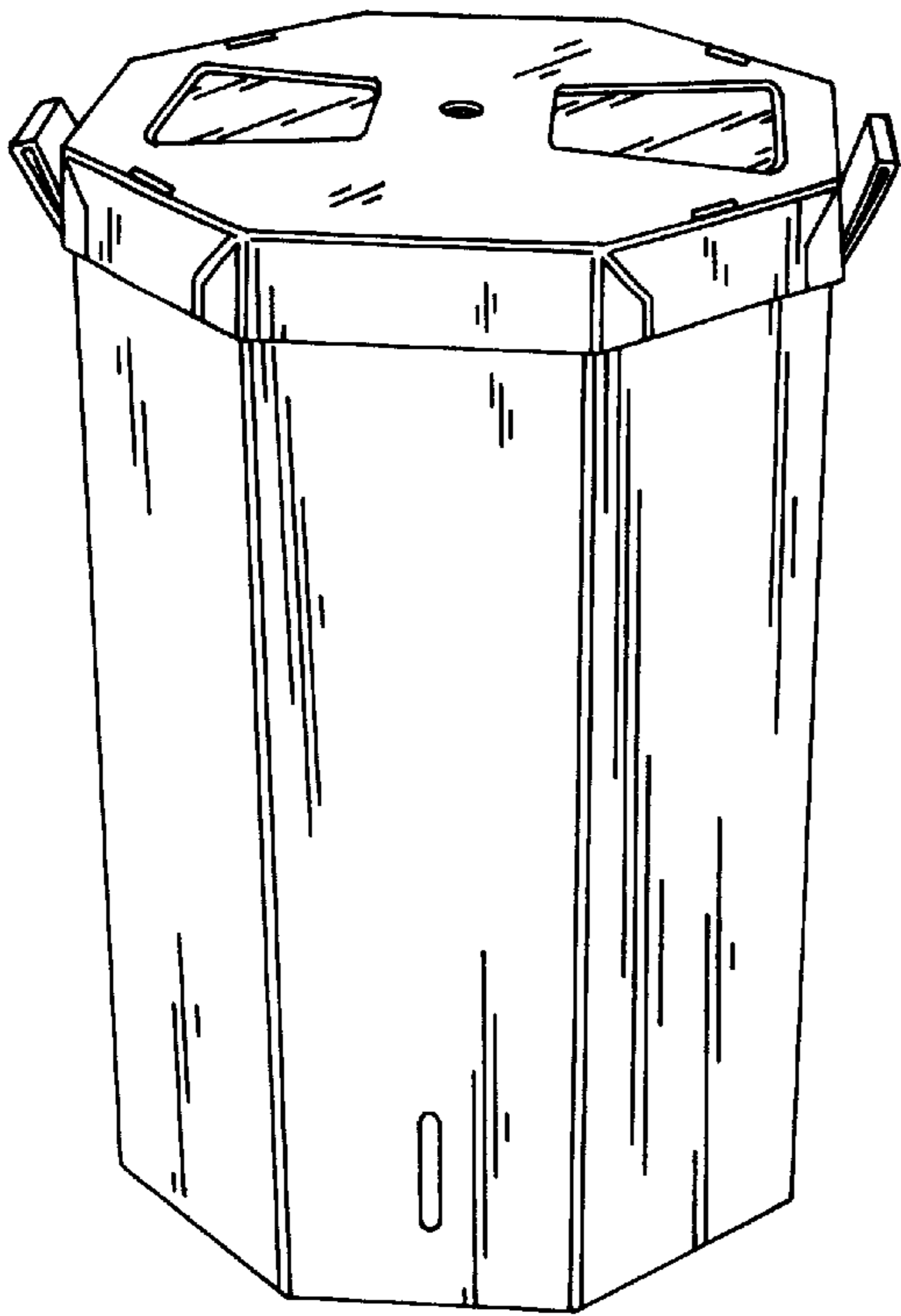


FIG. 1

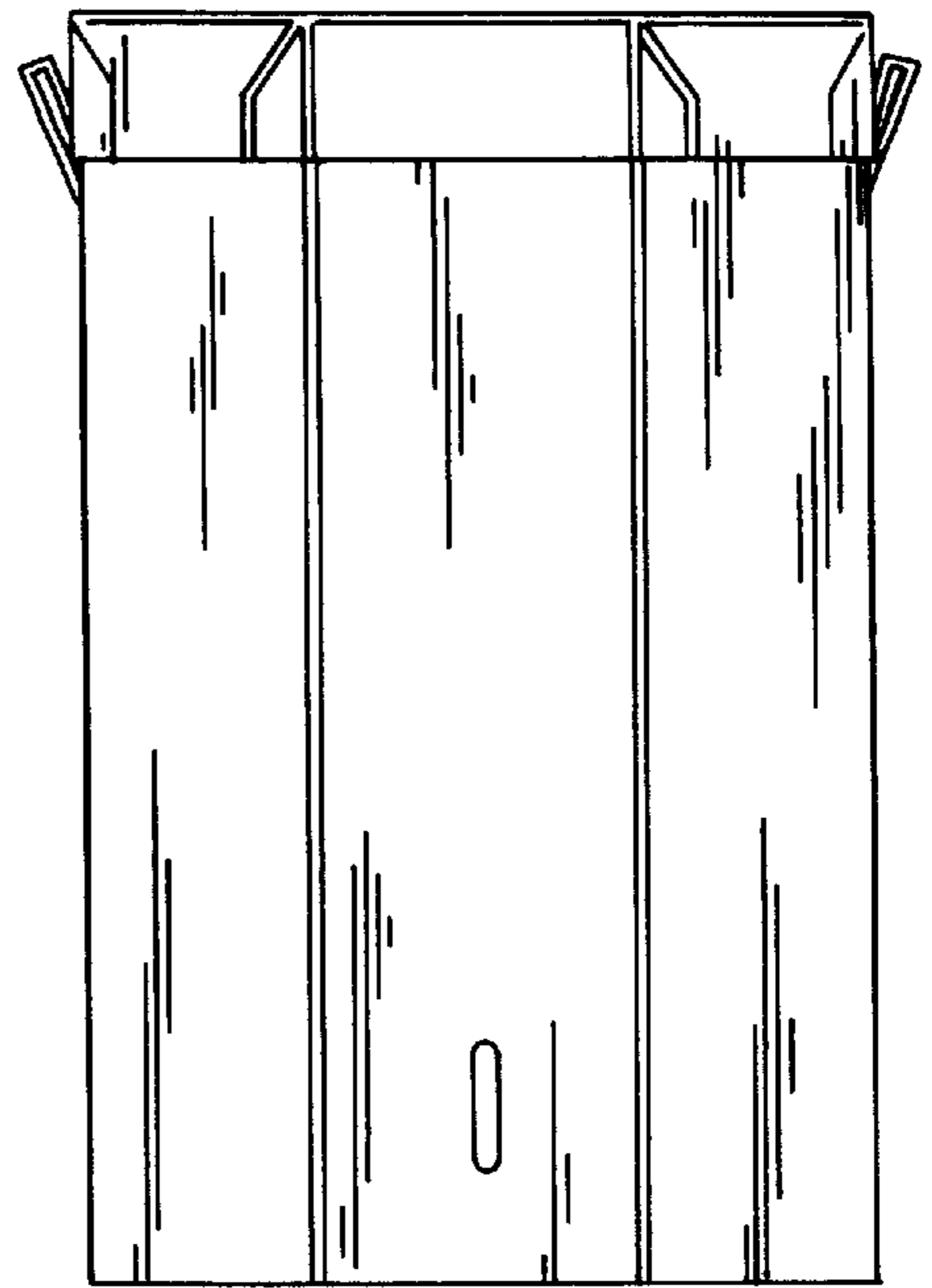


FIG. 2

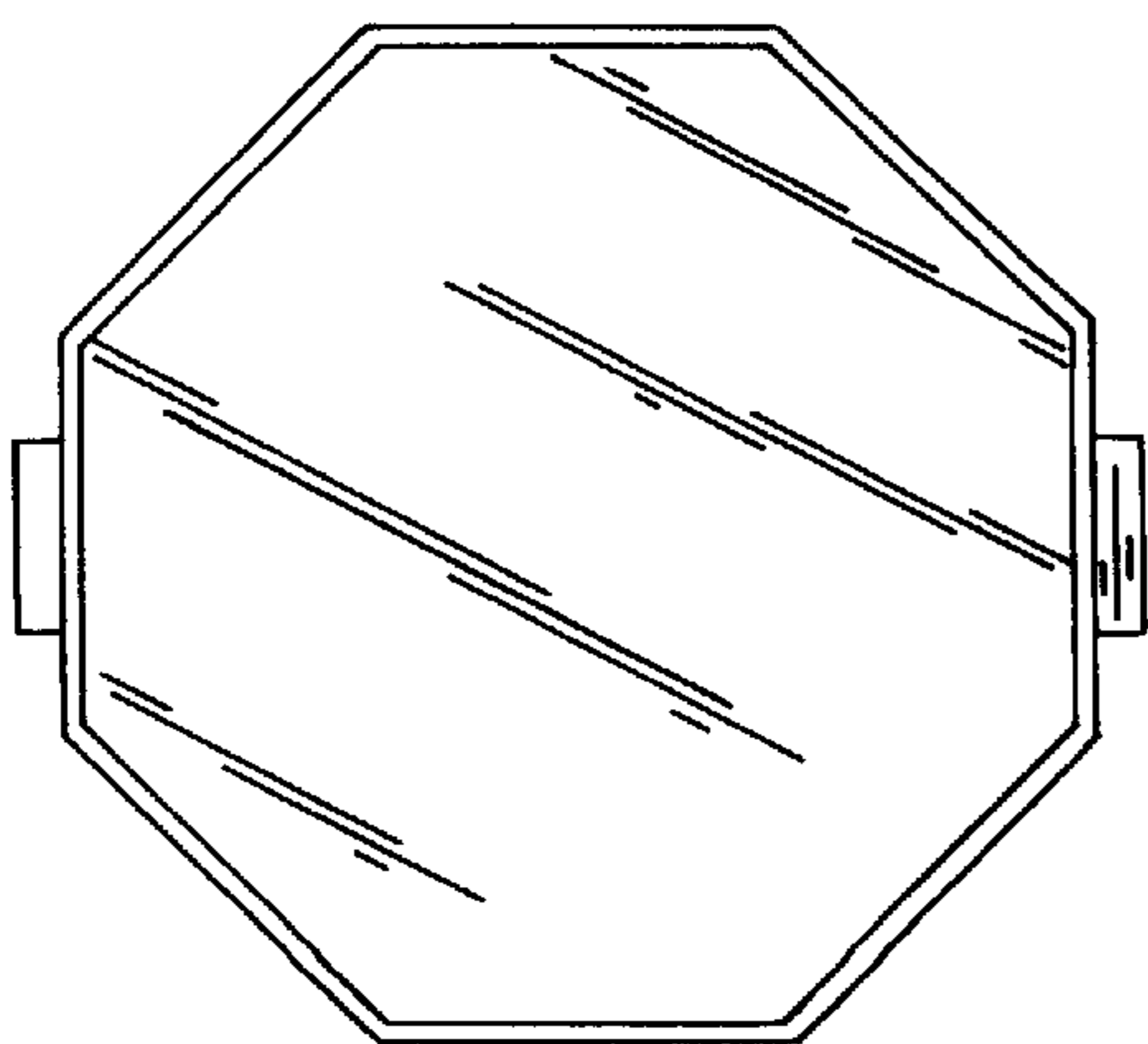


FIG. 3

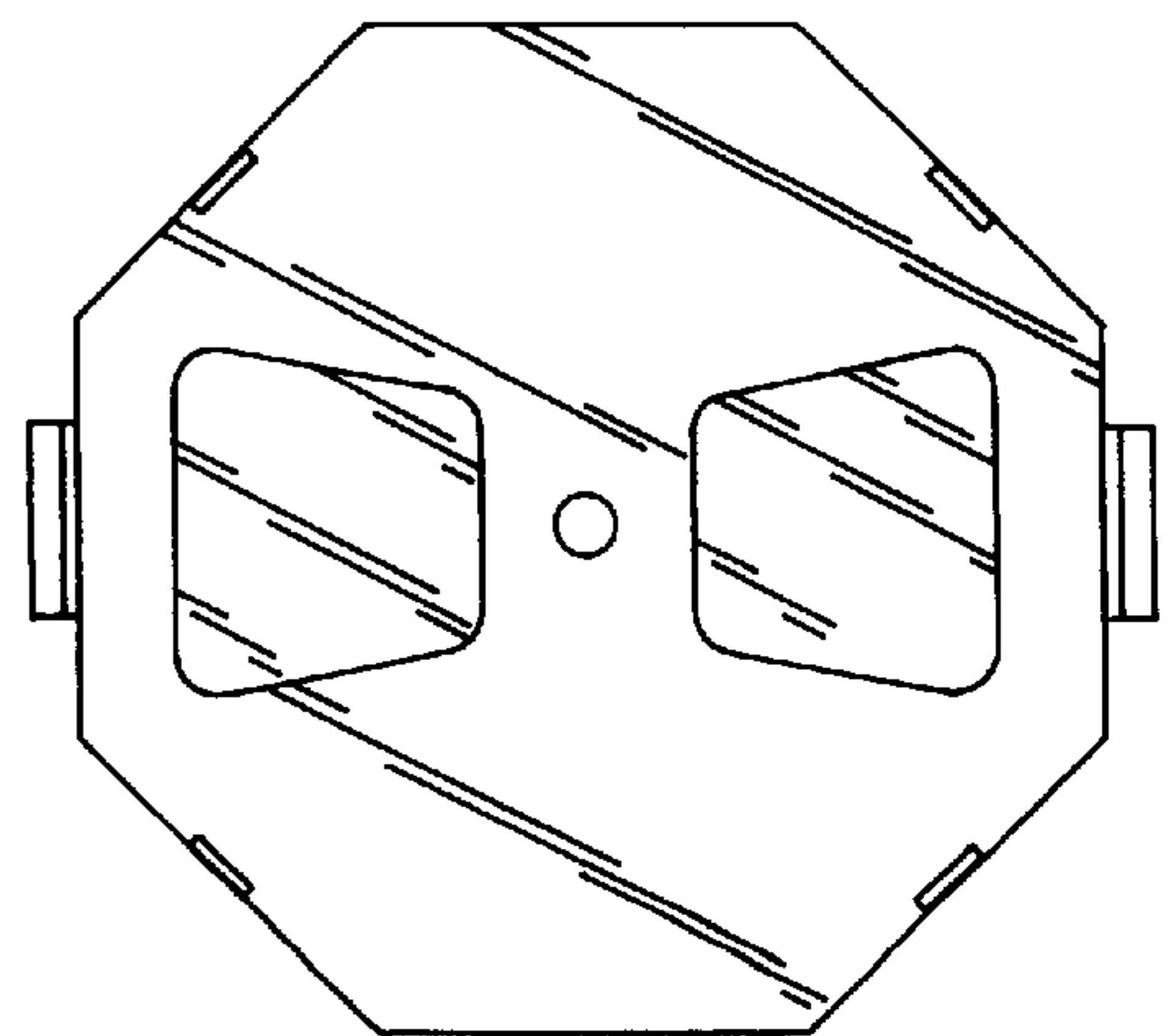


FIG. 4

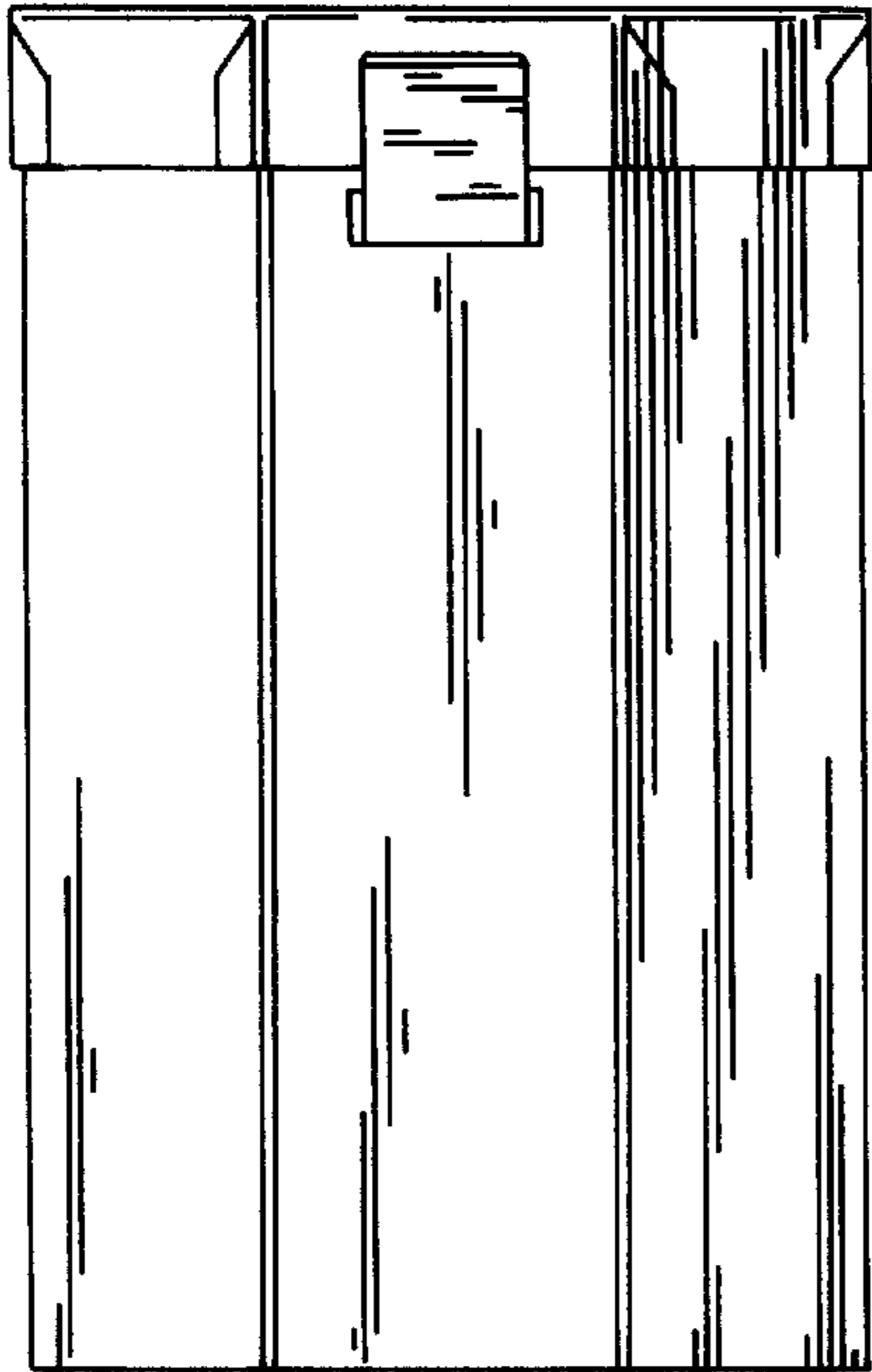


FIG. 5

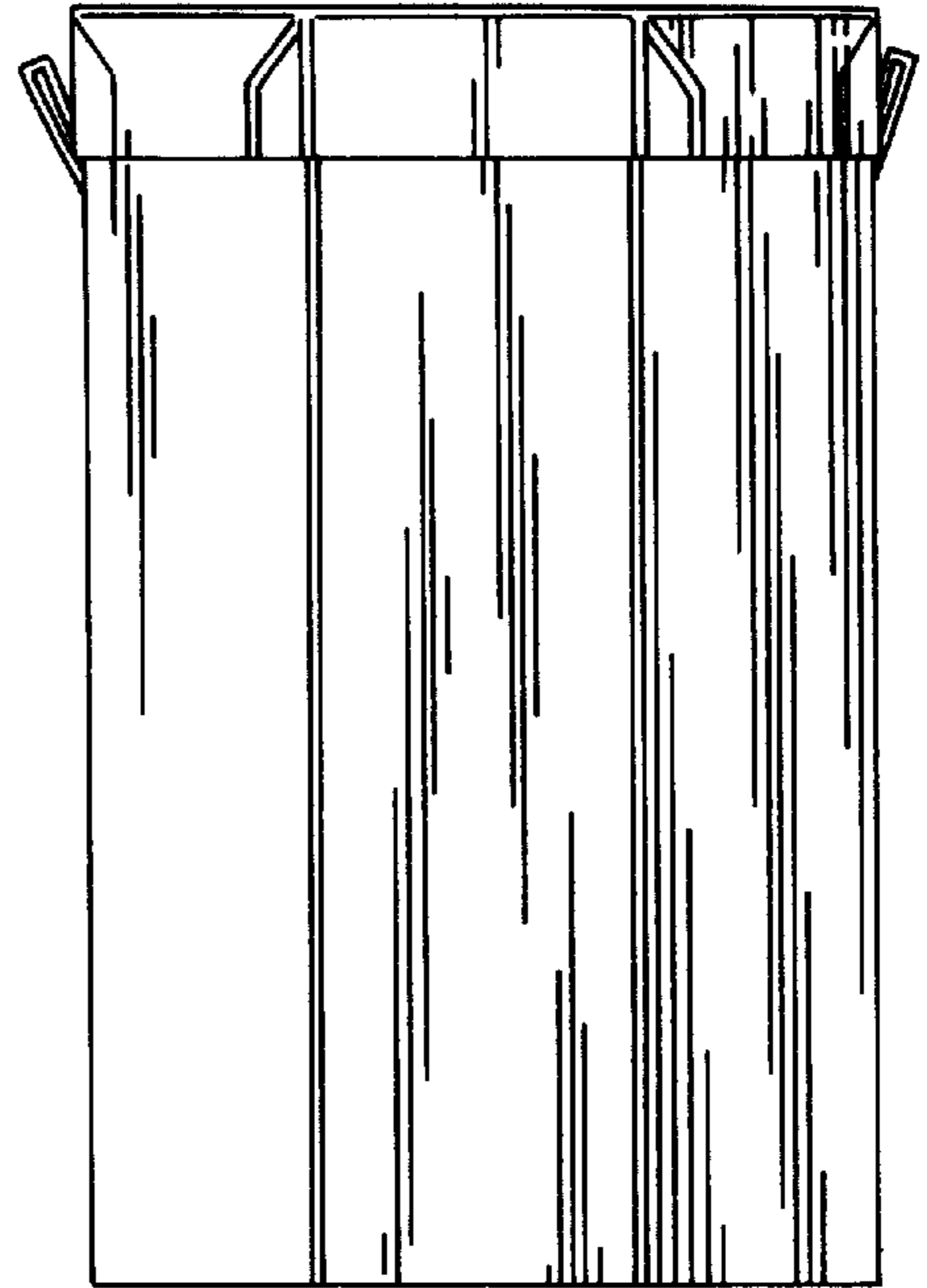


FIG. 6

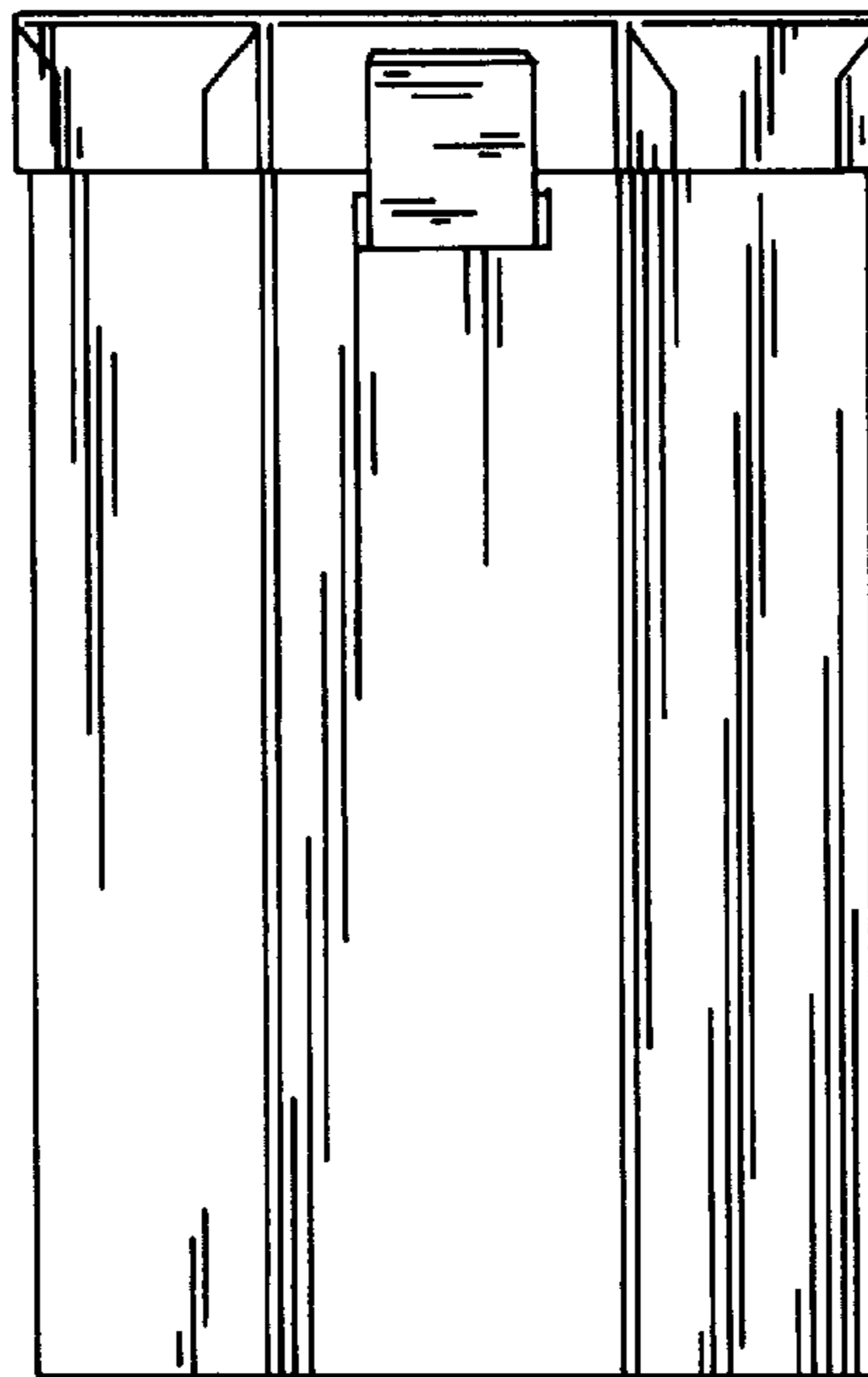


FIG. 7

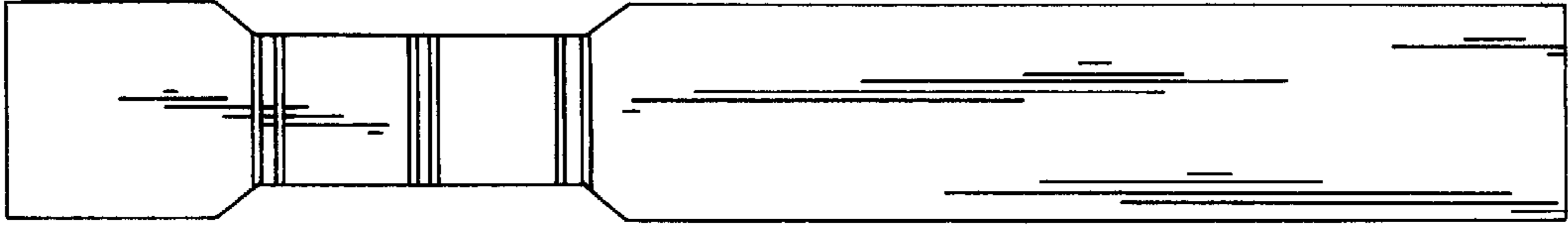
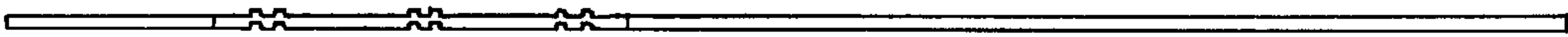
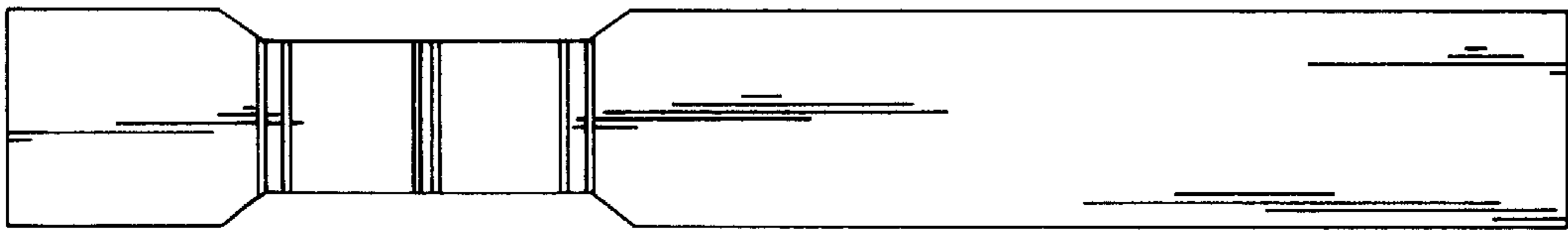
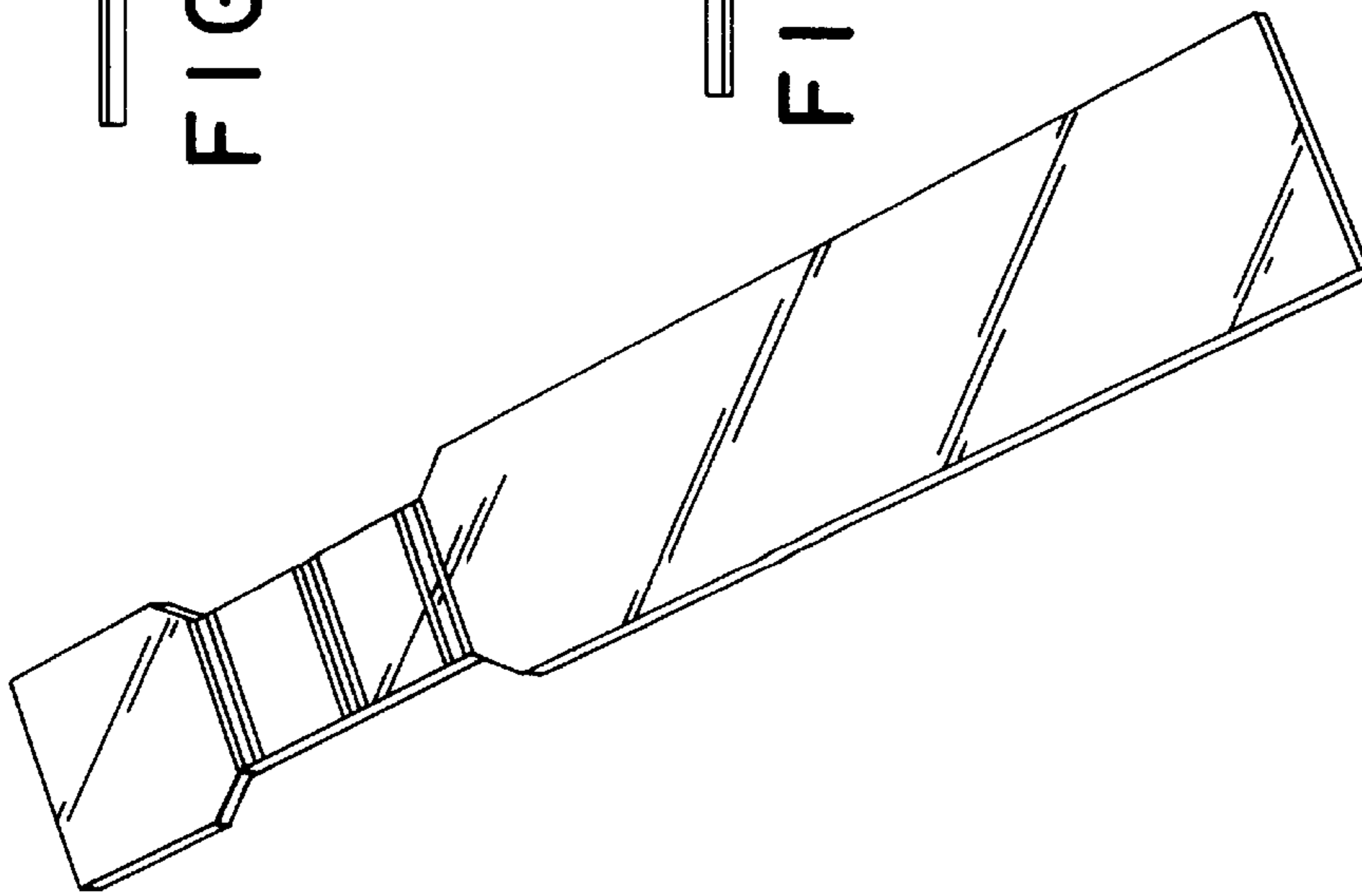


FIG. 9 FIG. 10 FIG. 11 FIG. 12

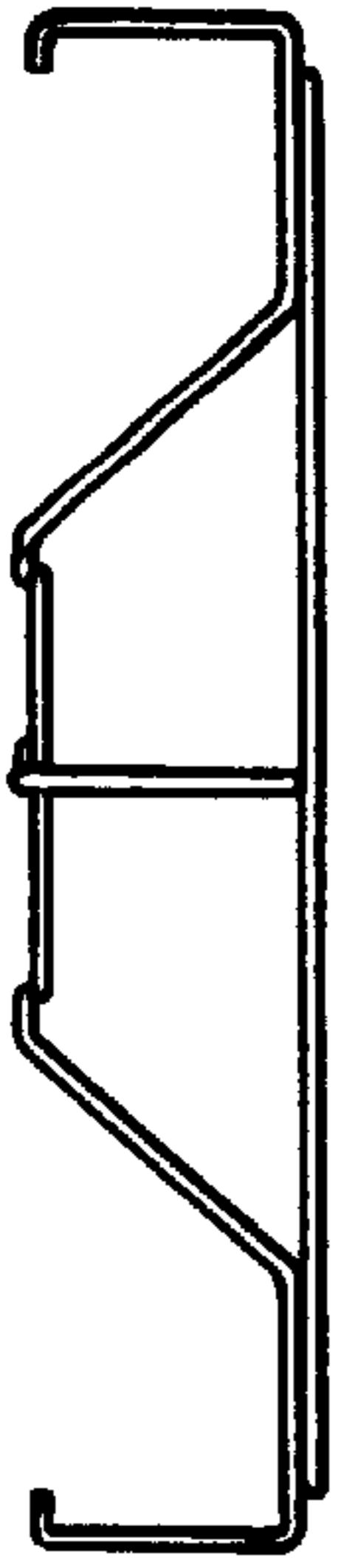


FIG. 17

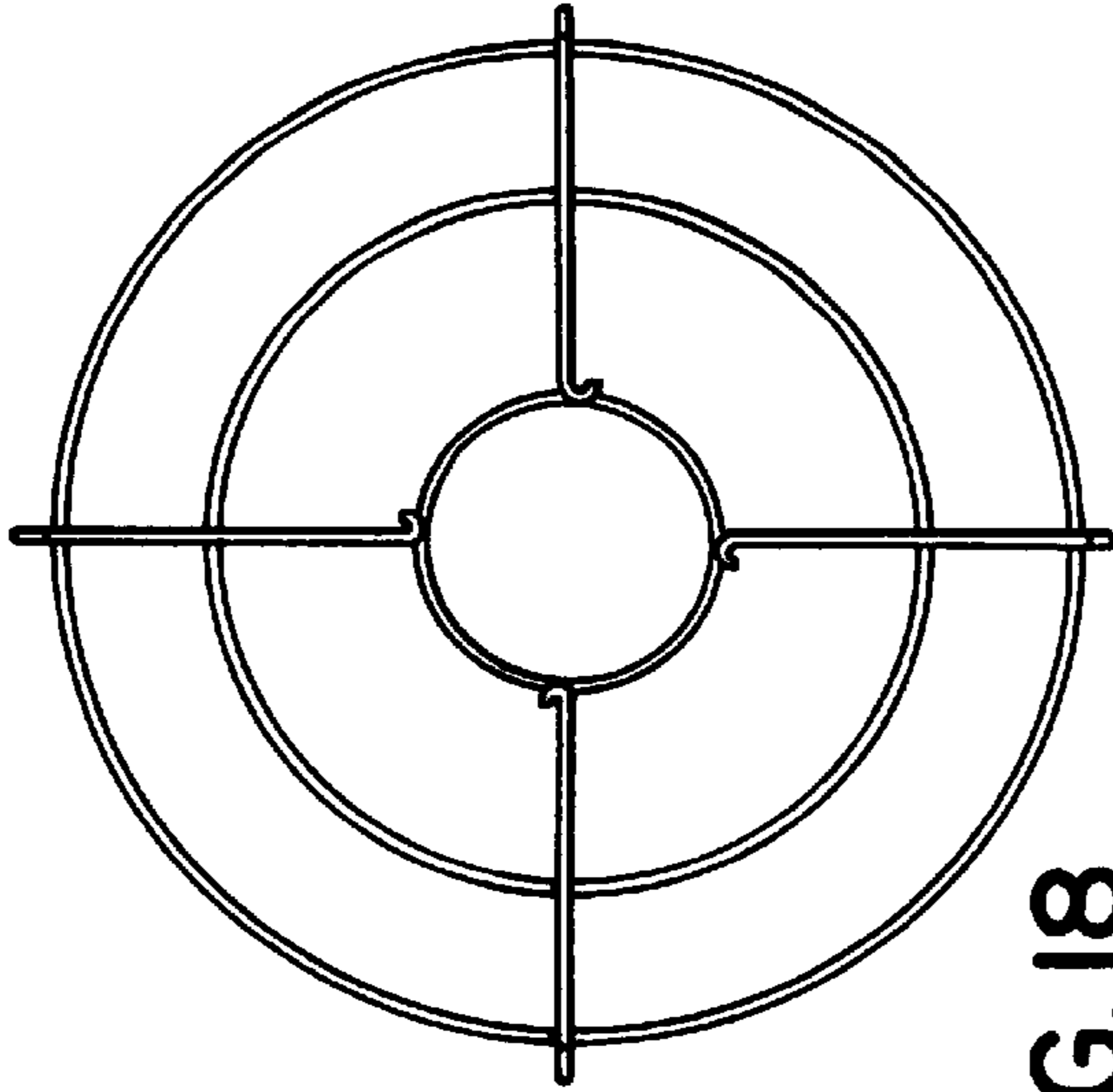


FIG. 18

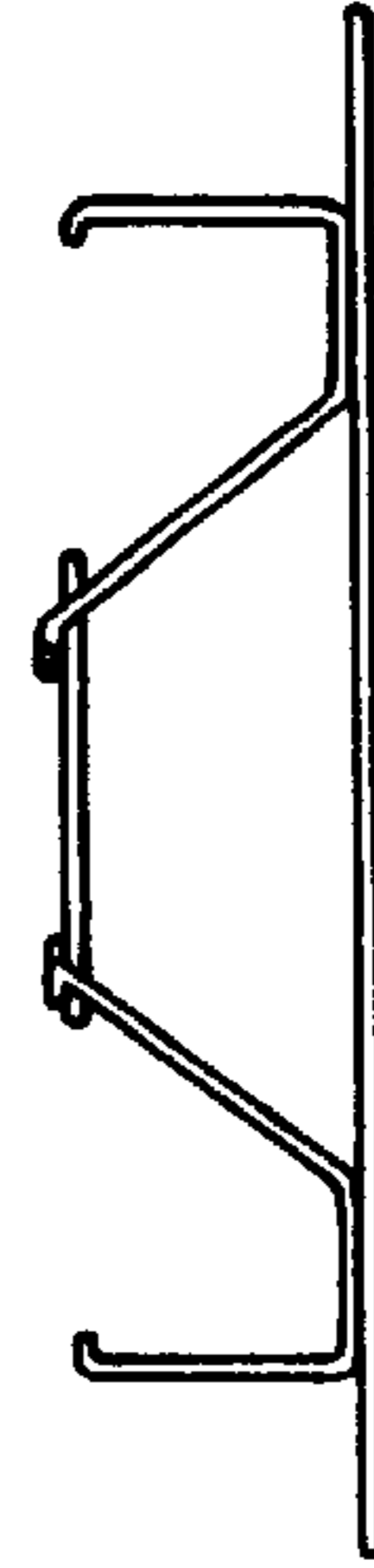


FIG. 19

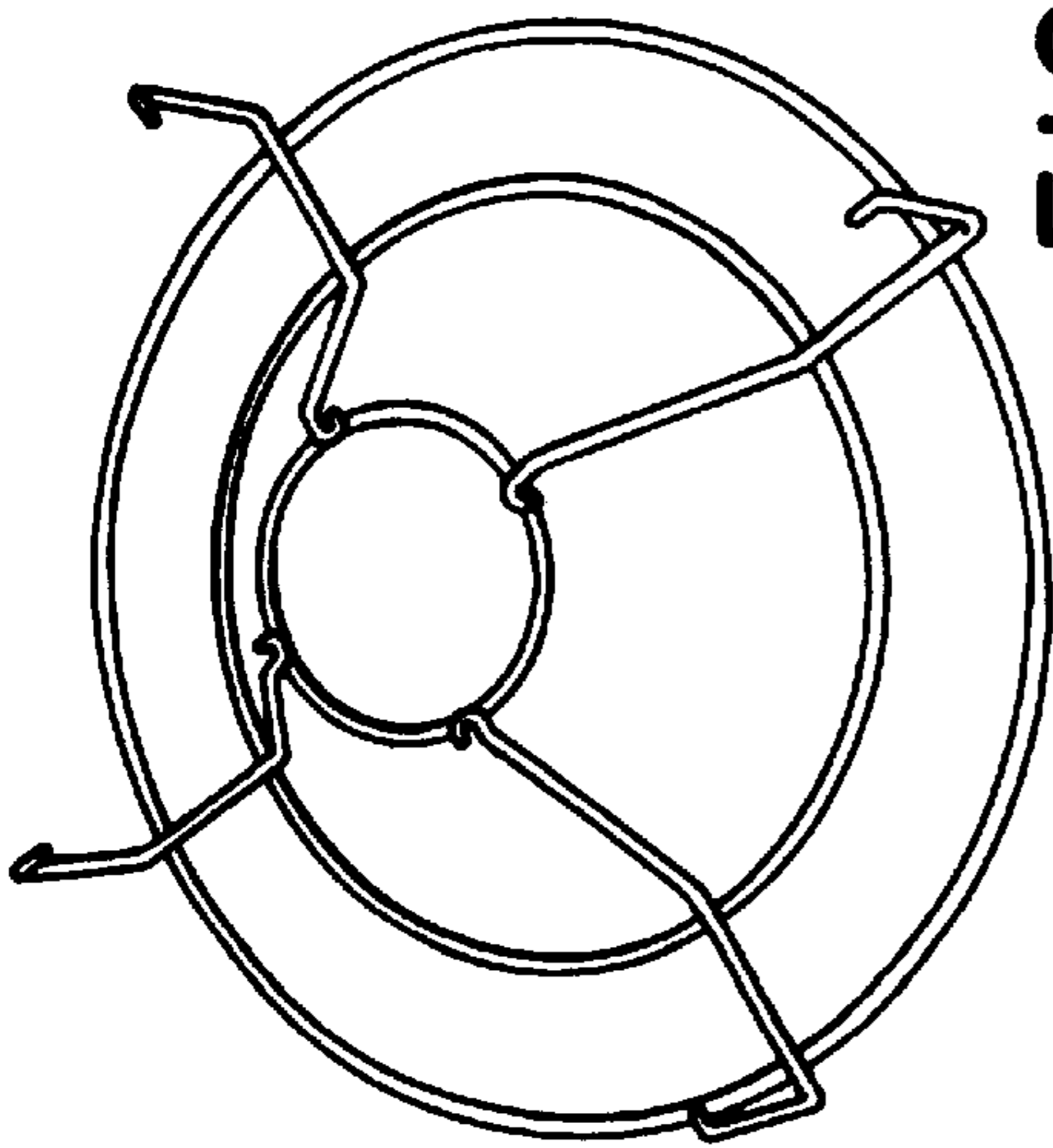


FIG. 15

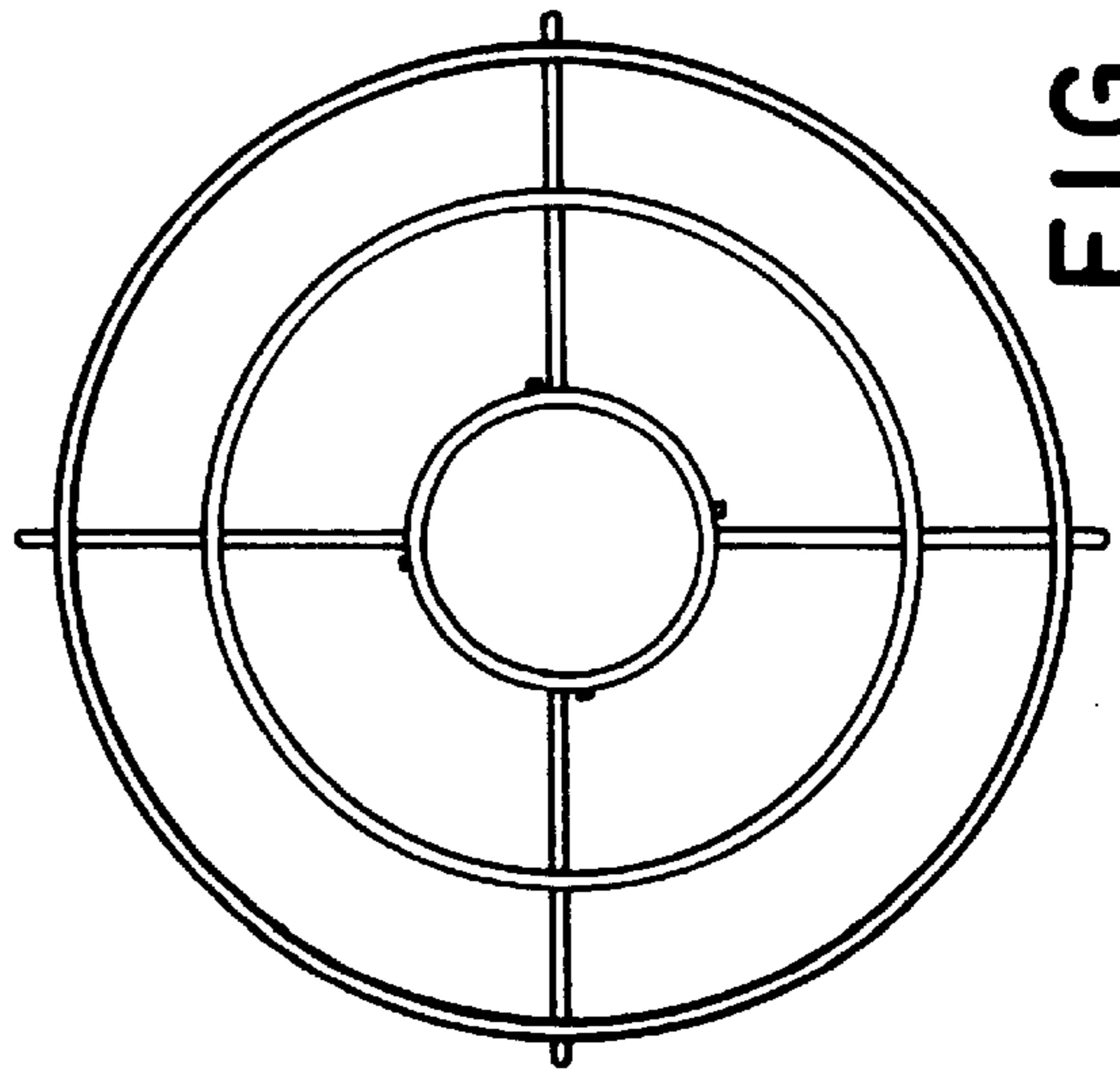


FIG. 16