



US00D399730S

United States Patent [19] Pitre

[11] **Patent Number: Des. 399,730**

[45] **Date of Patent: **Oct. 20, 1998**

[54] **WASHER FOR MINE ROOF BOLT**

2,725,843 12/1955 Koski 405/259.1
2,826,108 6/1958 Mills 411/427
4,619,559 10/1986 Norris 411/531

[76] Inventor: **Gerald J. Pitre**, R. R. #5, Box 22, Site
7, Bathurst, New Brunswick, Canada,
E2A 3Y8

Primary Examiner—B. J. Bullock
Attorney, Agent, or Firm—Mario D. Theriault

[**] Term: **14 Years**

[57] **CLAIM**

[21] Appl. No.: **60,765**

The ornamental design for a washer for a mine roof bolt, as shown and described.

[22] Filed: **Oct. 7, 1996**

DESCRIPTION

[51] **LOC (6) Cl.** **08-08**

[52] **U.S. Cl.** **D8/399**

[58] **Field of Search** D8/399; 411/531;
405/259.1

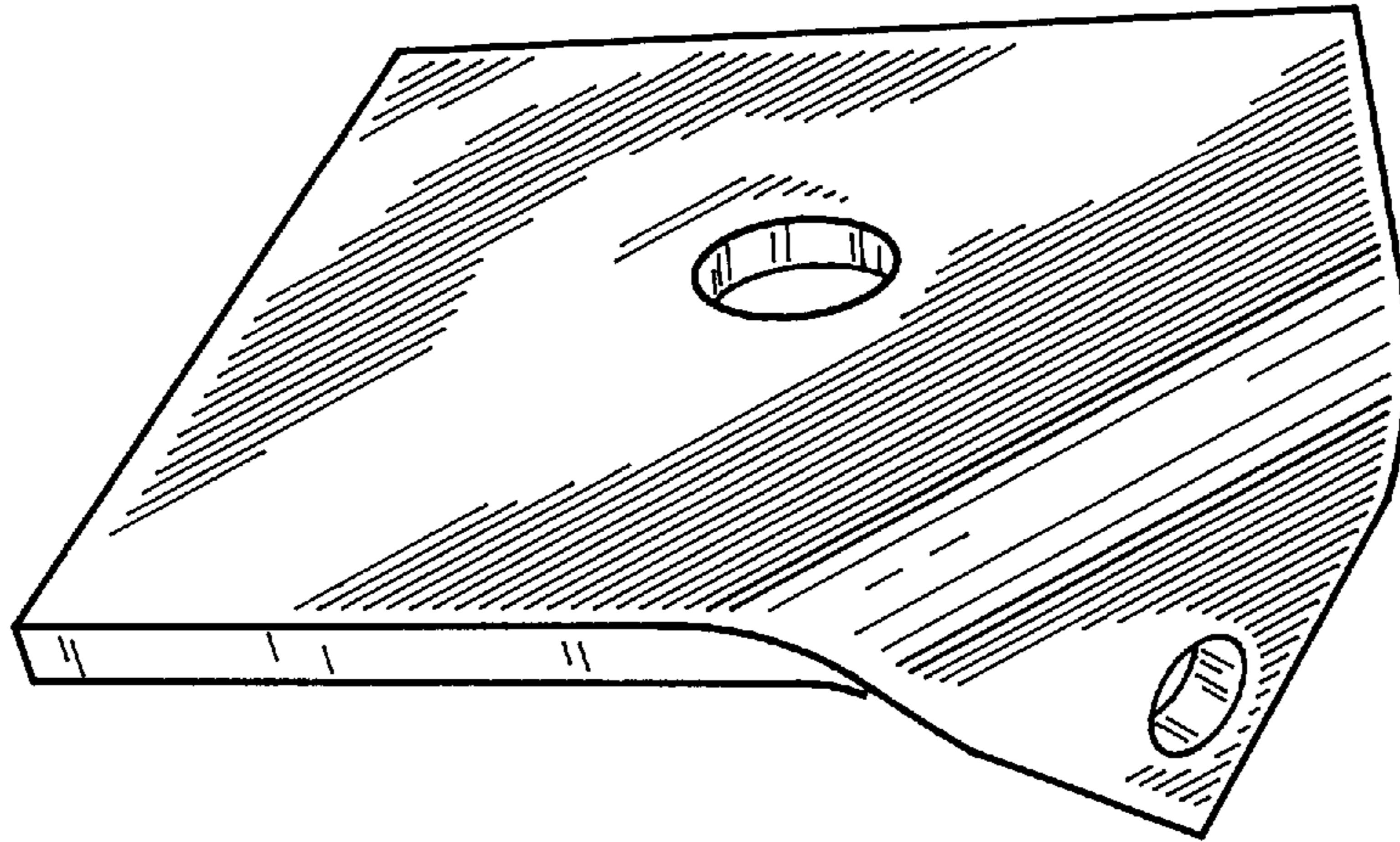
FIG. 1 is a perspective top and front view of the washer for mine roof bolt showing my new design;
FIG. 2 is a top view thereof;
FIG. 3 is a front view thereof;
FIG. 4 is a left side view thereof; and,
FIG. 5 is an underside view thereof.

[56] **References Cited**

U.S. PATENT DOCUMENTS

D. 31,242 7/1899 McAllister D8/399

1 Claim, 2 Drawing Sheets



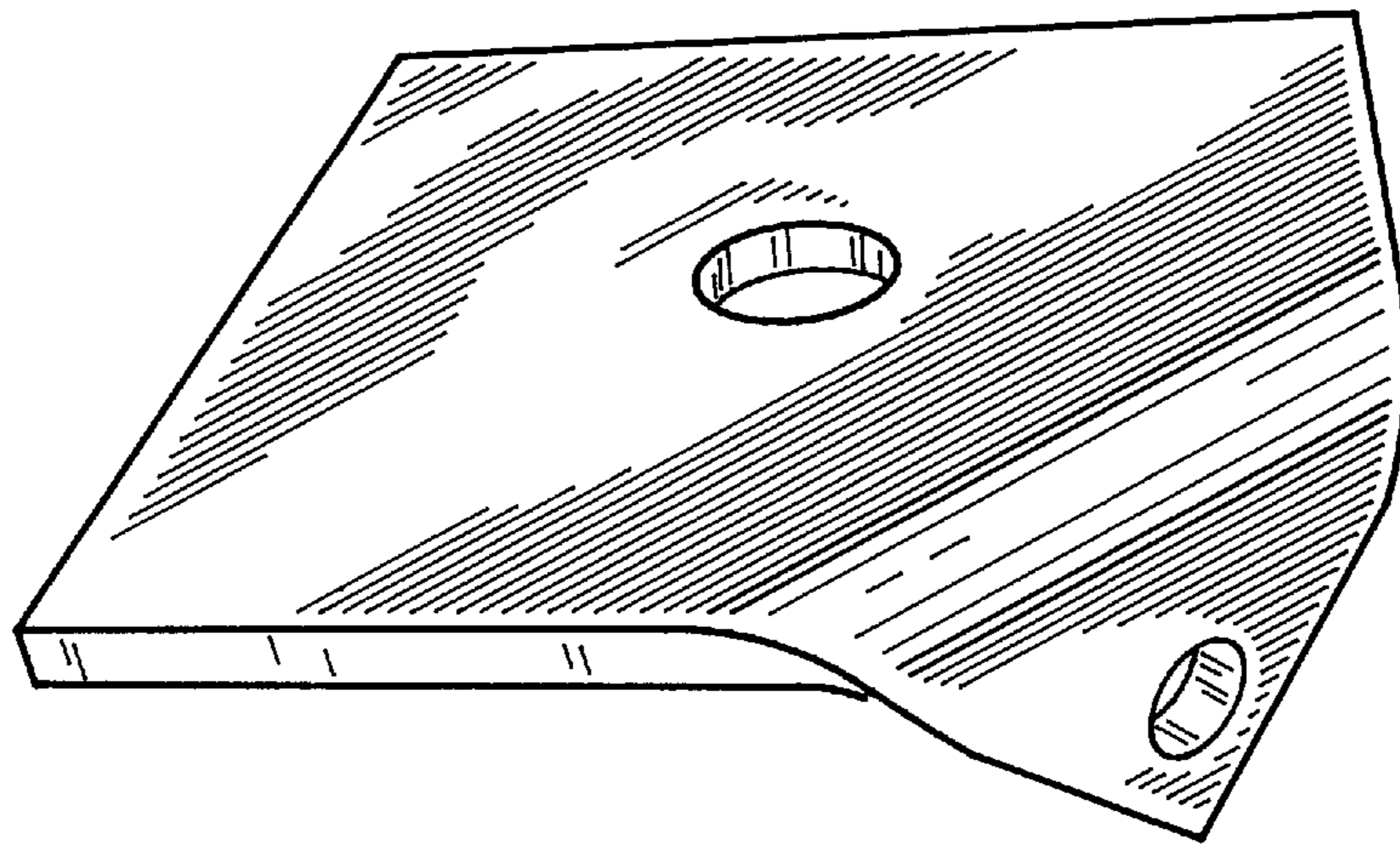


FIG. 1

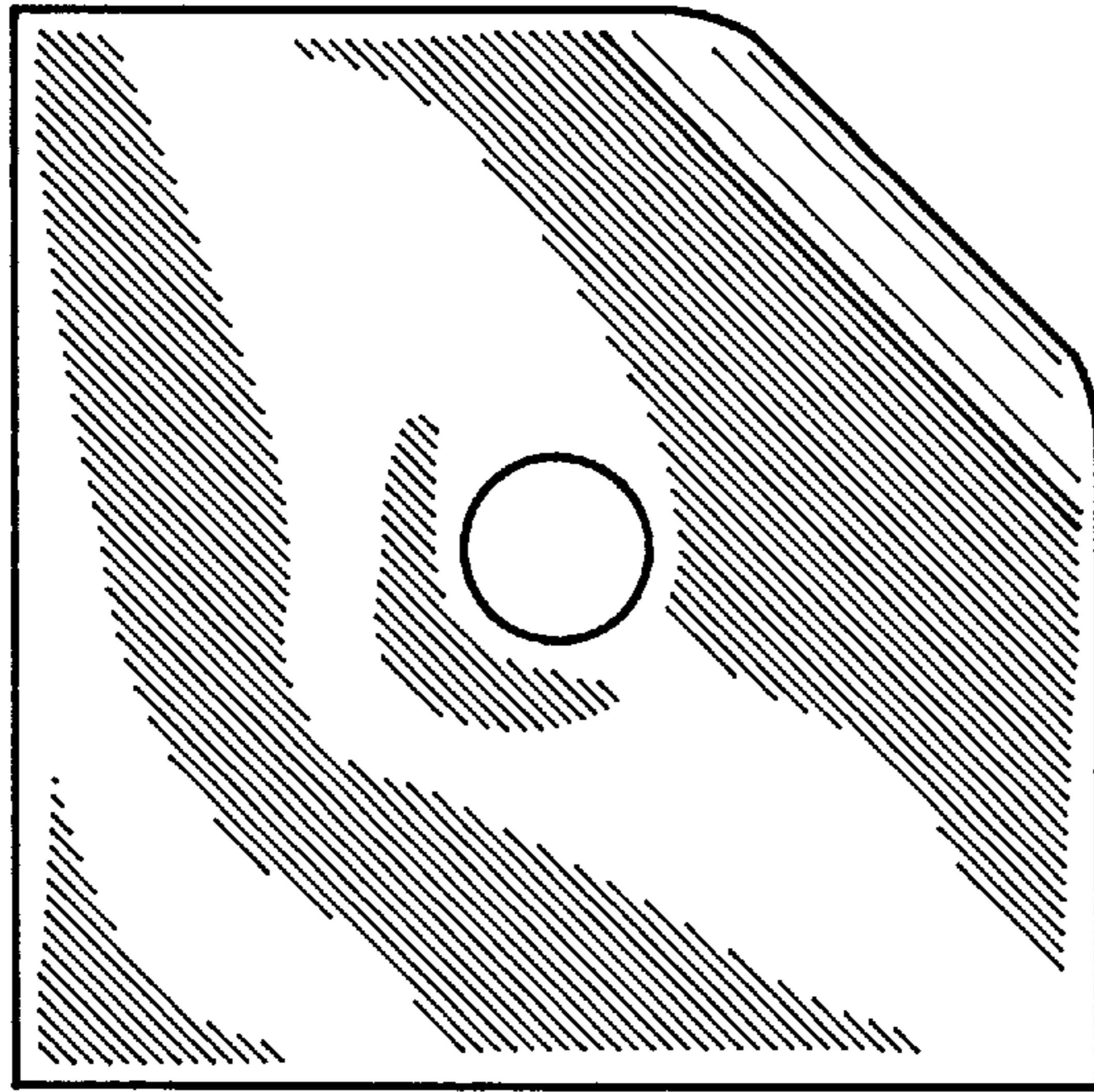


FIG. 2

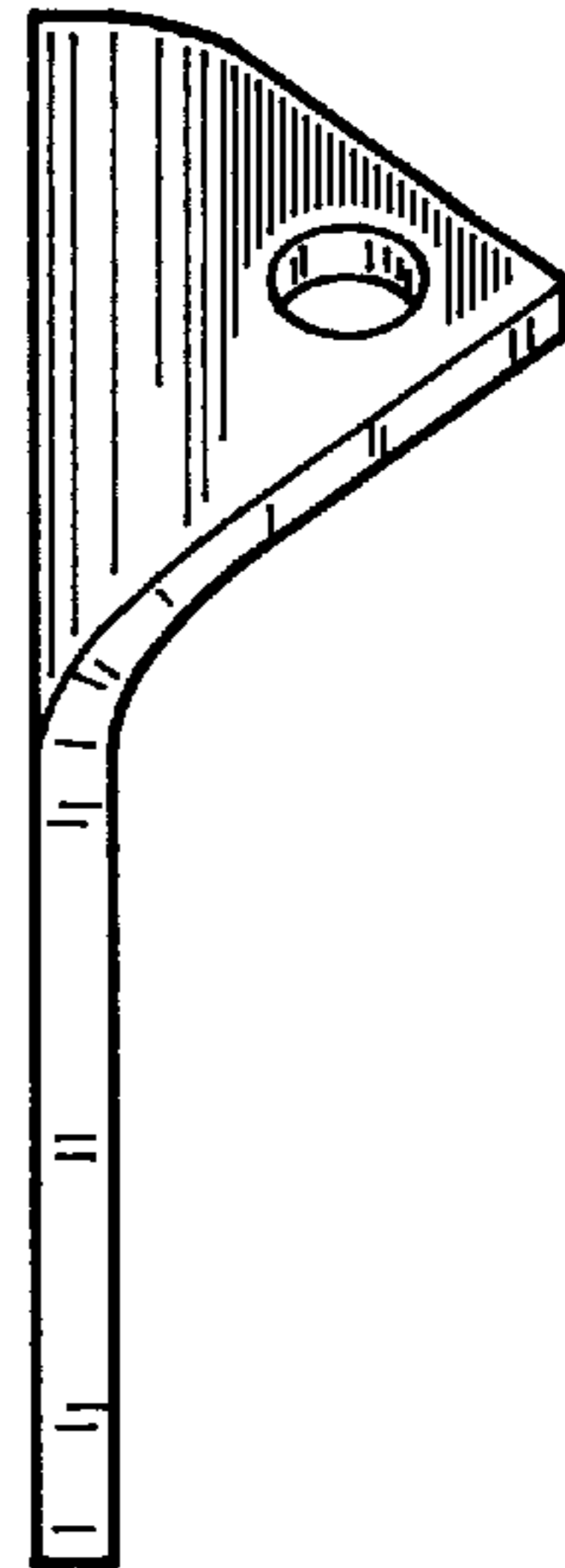


FIG. 3

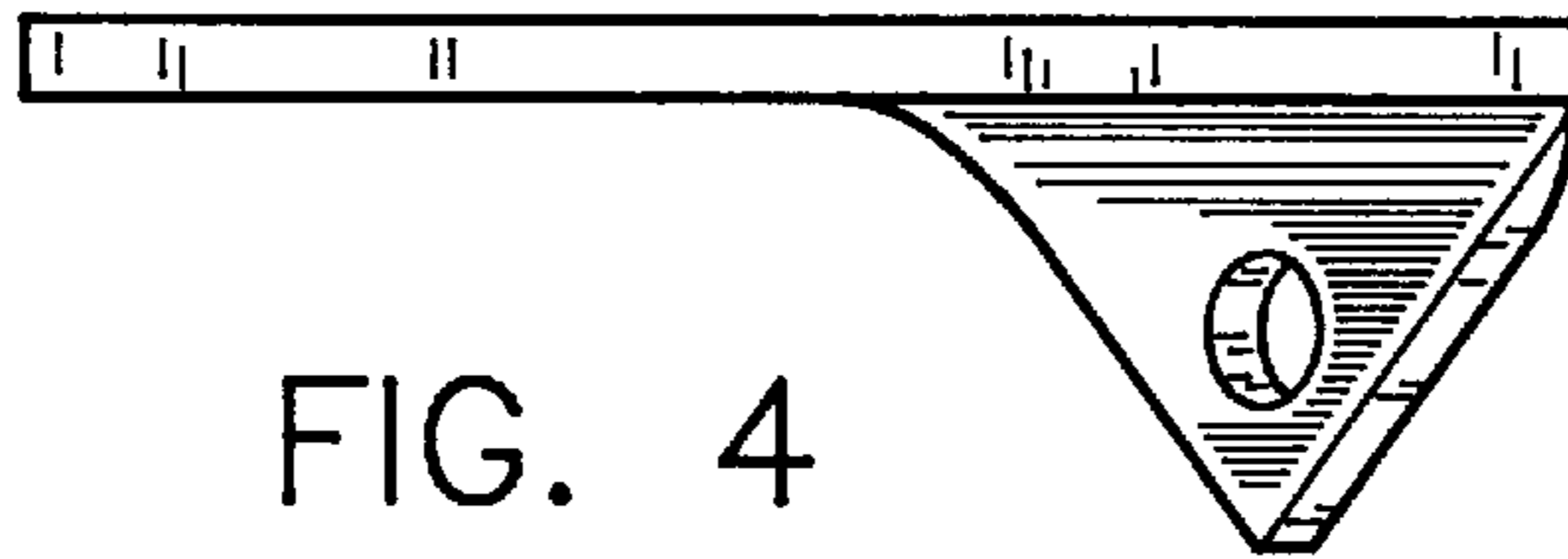


FIG. 4

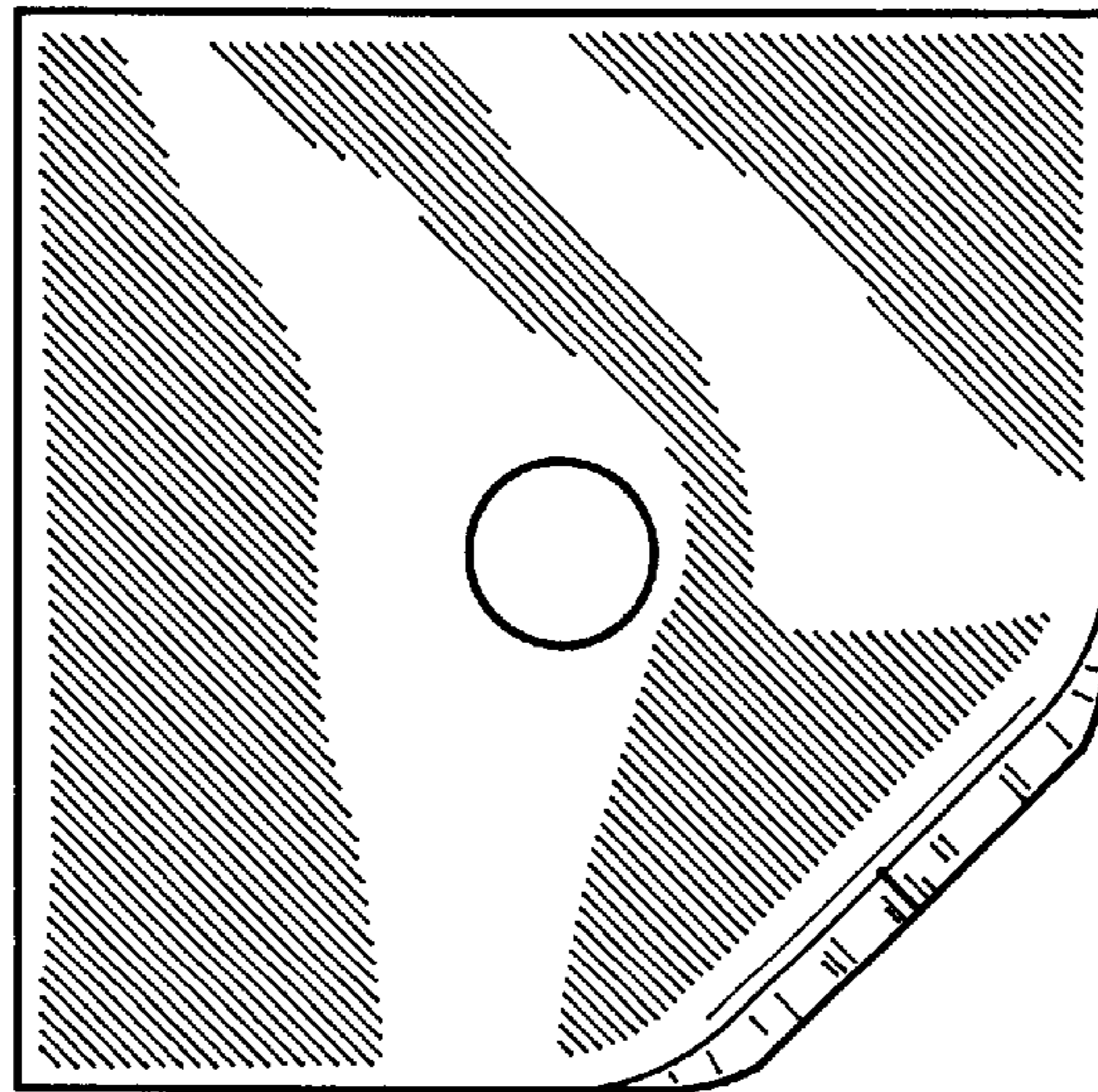


FIG. 5