



US00D399728S

**United States Patent** [19]  
**Cohen**

[11] **Patent Number: Des. 399,728**

[45] **Date of Patent: \*\*Oct. 20, 1998**

[54] **CORNER SHELF HOLDER**

[75] Inventor: **Chaim Cohen**, Holon, Israel

[73] Assignee: **R.C.S. Ltd.**, Rishon LeZion, Israel

[\*\*] Term: **14 Years**

[21] Appl. No.: **66,756**

[22] Filed: **Feb. 20, 1997**

[51] **LOC (6) Cl.** ..... **08-05**

[52] **U.S. Cl.** ..... **D8/381**

[58] **Field of Search** ..... D8/381, 380; 248/243,  
248/250

[56] **References Cited**

**U.S. PATENT DOCUMENTS**

4,666,117	5/1987	Taft .....	248/243
4,732,358	3/1988	Hughes et al. ....	248/243
4,830,323	5/1989	Harley .....	248/243 X

*Primary Examiner*—Holly Baynham  
*Attorney, Agent, or Firm*—Edward Langer, Pat. Atty.

[57] **CLAIM**

The ornamental design for a corner shelf holder, as shown and described.

**DESCRIPTION**

FIG. 1 is a left side view of a corner shelf holder showing my new design;

FIG. 2 is a front view of the design of FIG. 1;

FIG. 3 is a rear view of the design of FIG. 1;

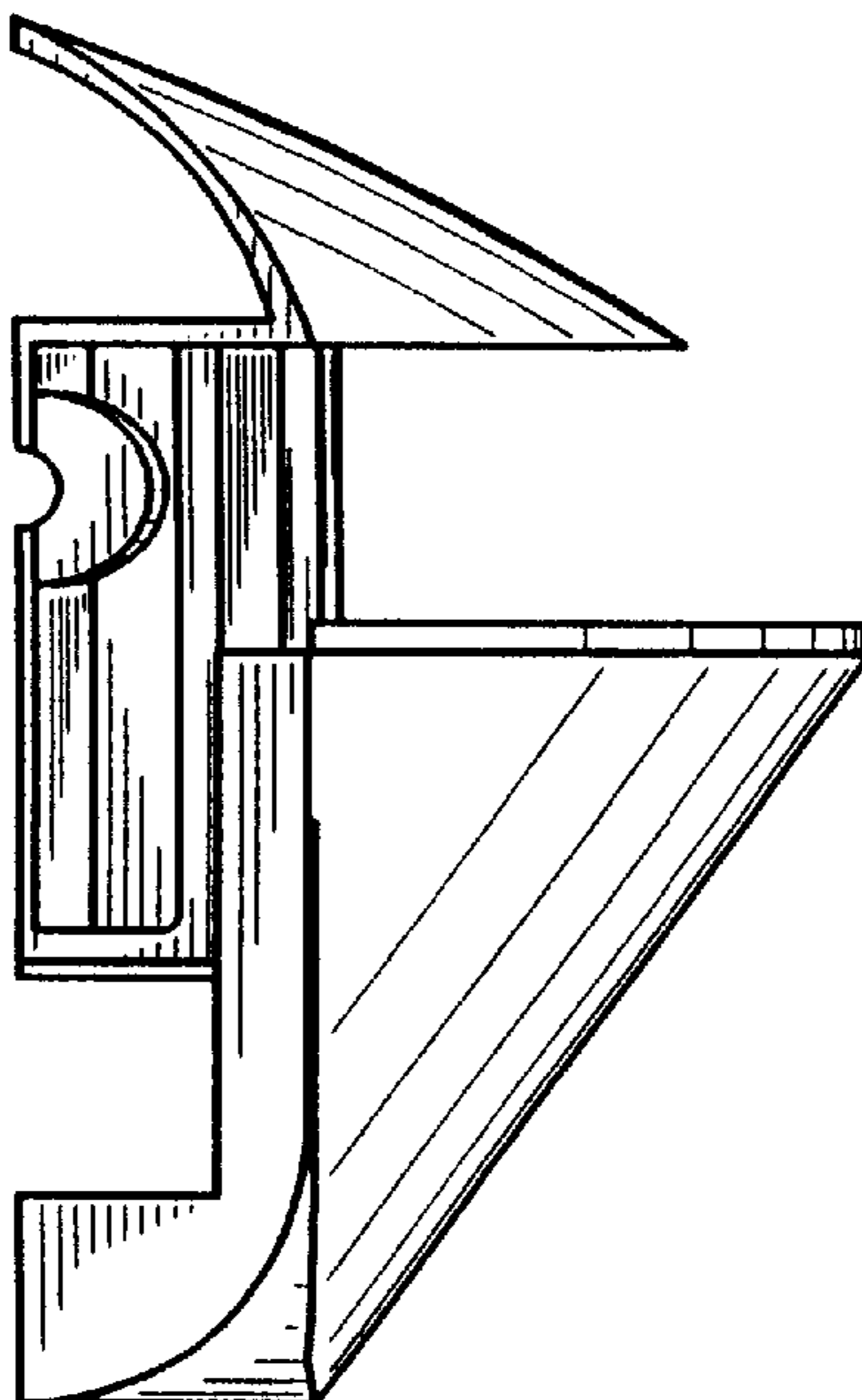
FIG. 4 is a right side view of the design of FIG.1;

FIG. 5 is a top view of the design of FIG. 1;

FIG. 6 is a bottom view of the design of FIG. 1; and,

FIG. 7 is an environmental perspective view with the broken line showing a fragmented shelf and support elements being for illustrative purposes only and forming no part of the claimed design.

**1 Claim, 3 Drawing Sheets**



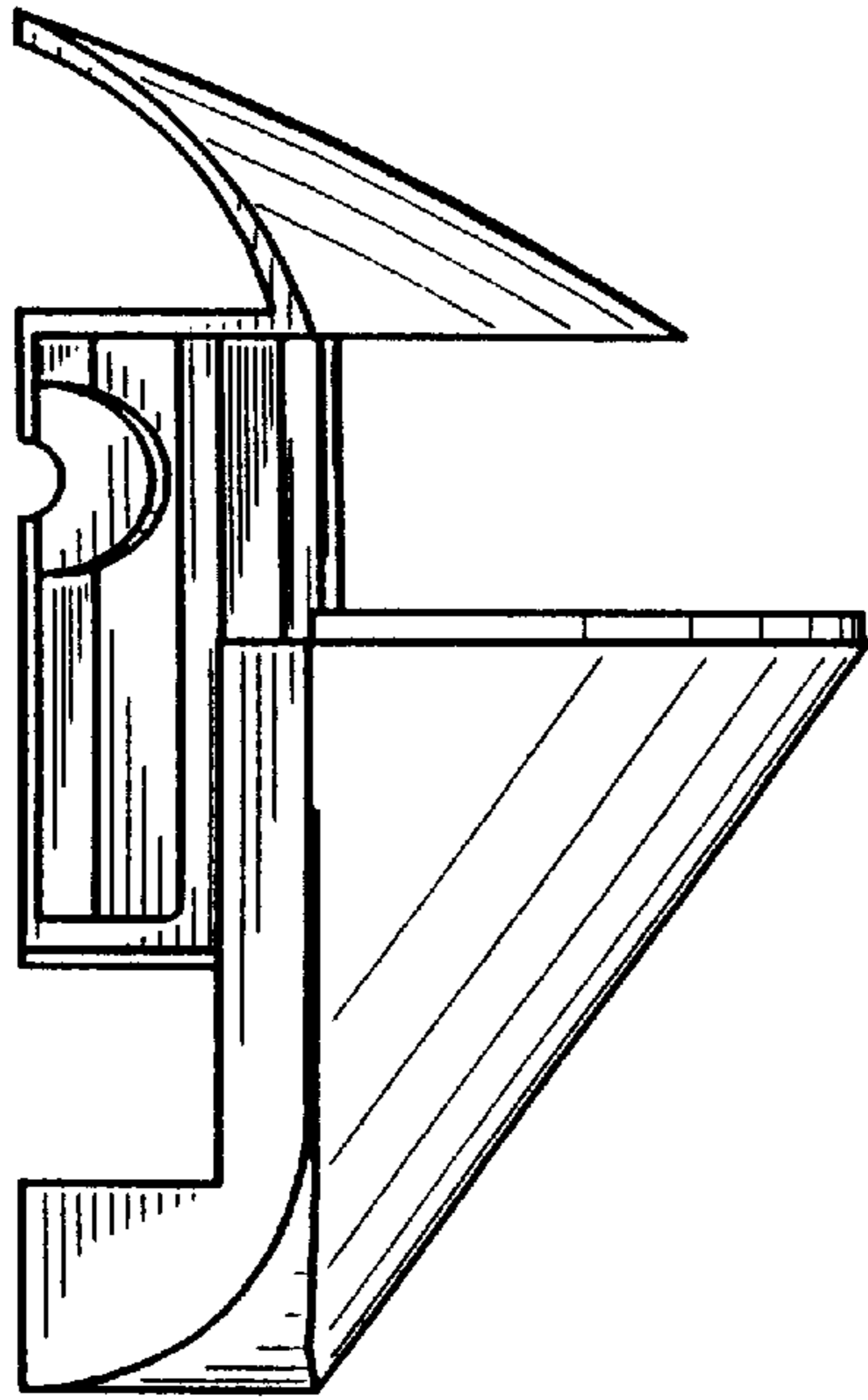


FIG. 1

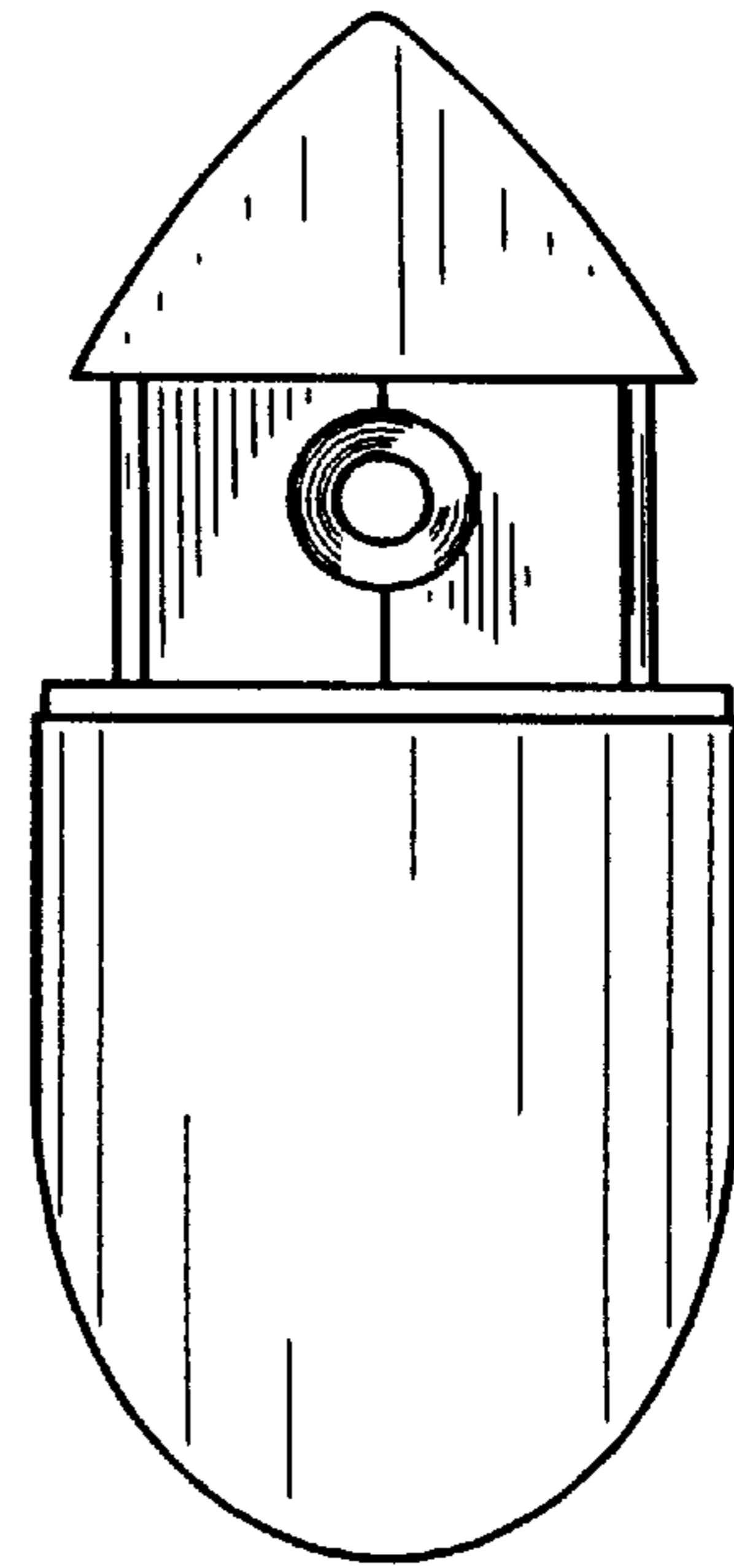


FIG. 2

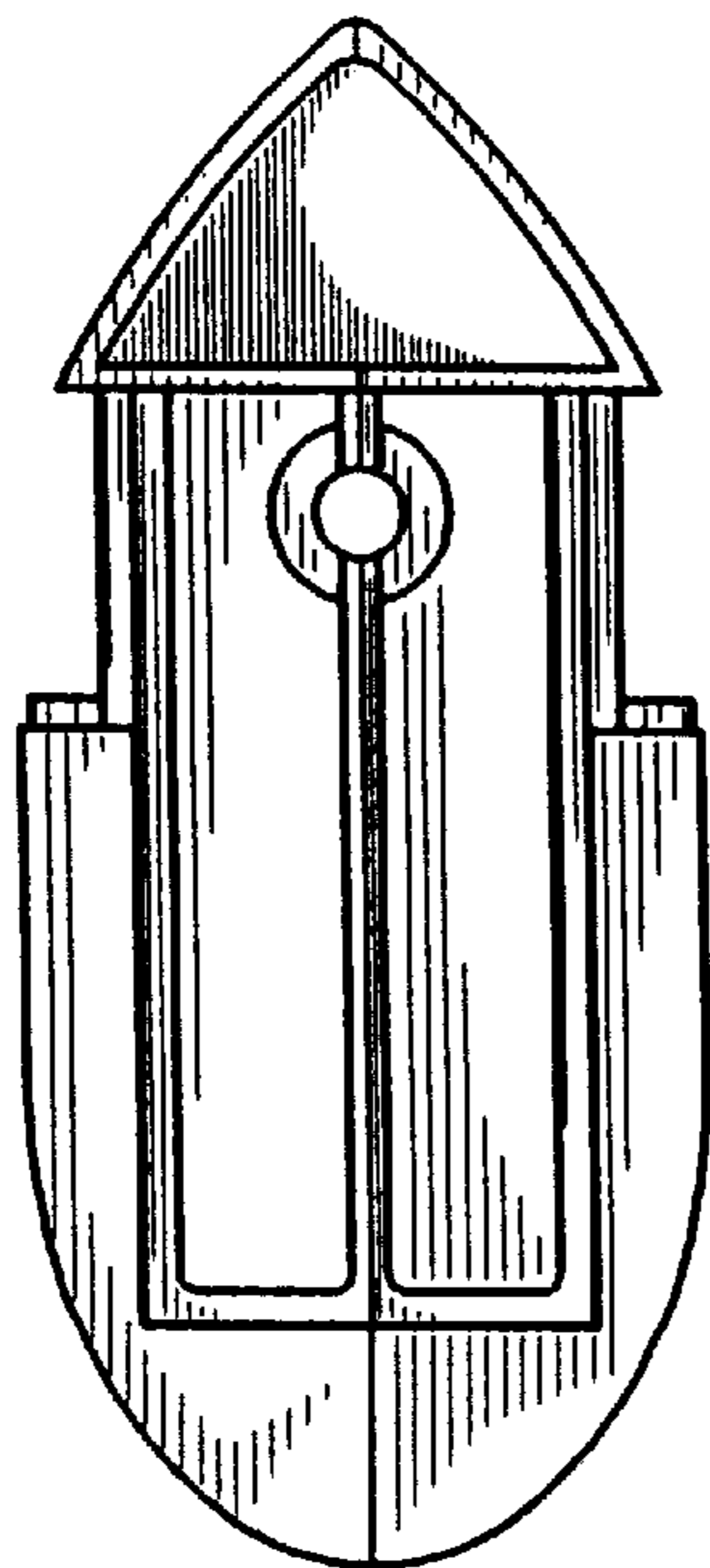


FIG. 3

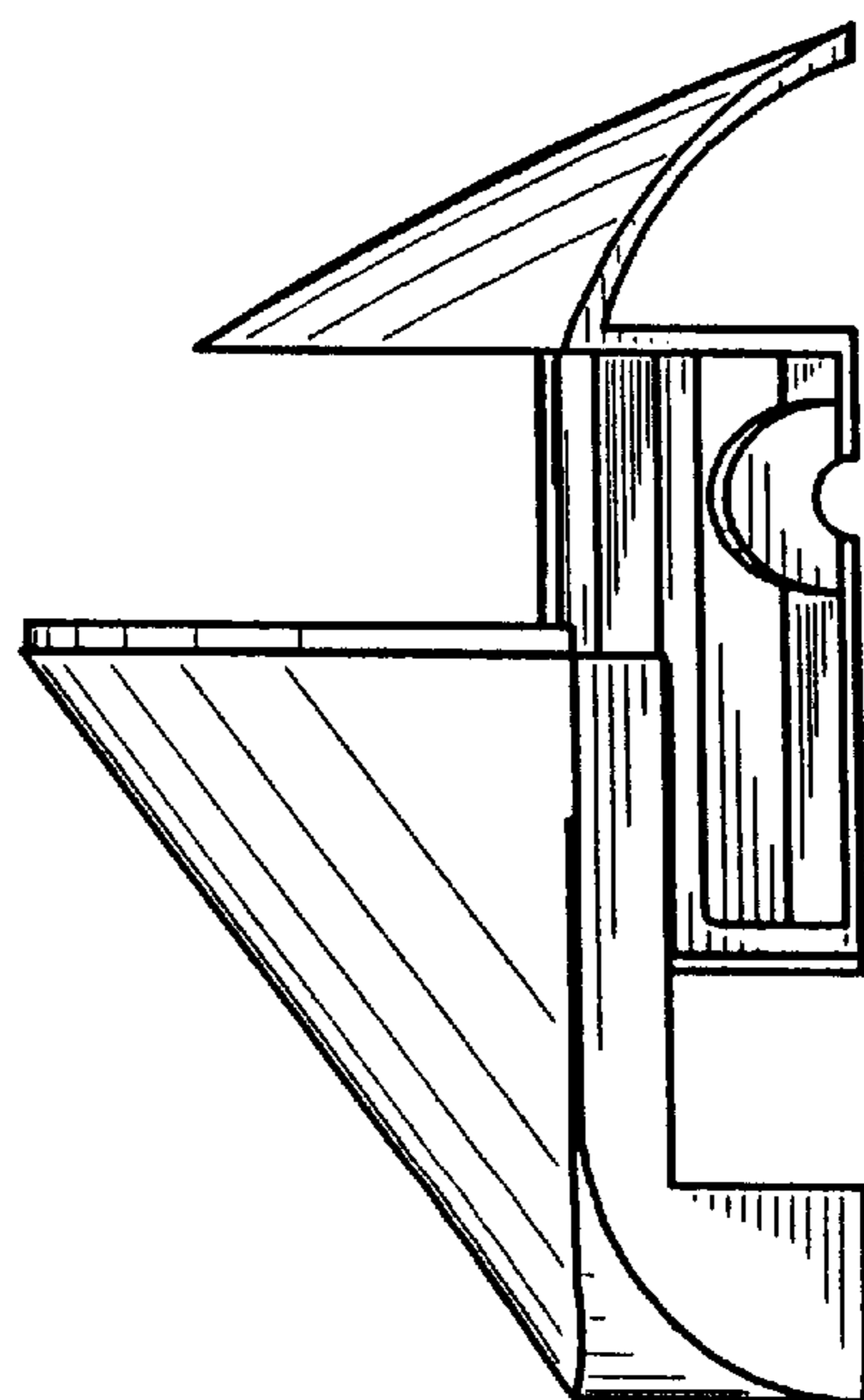


FIG. 4

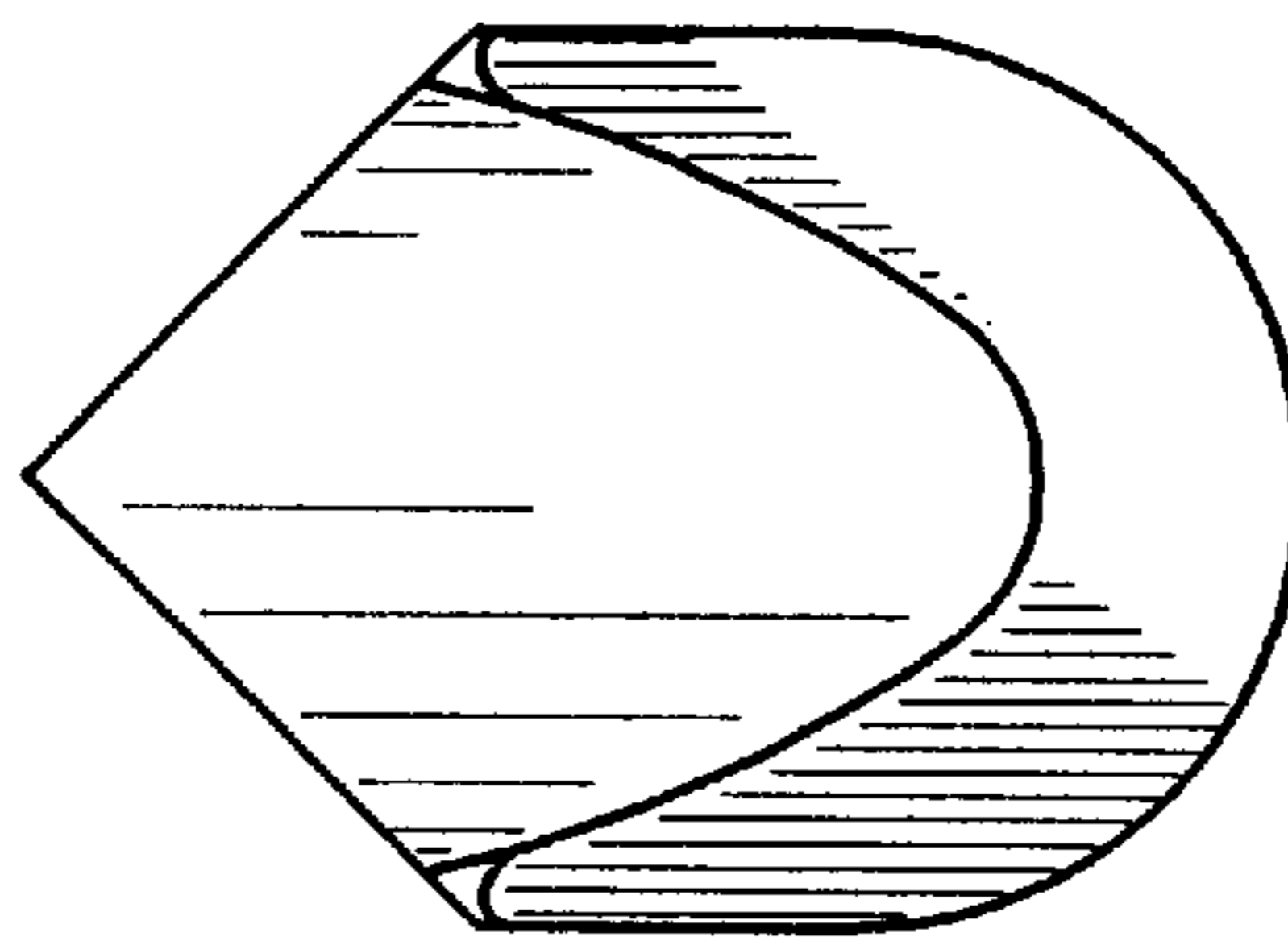


FIG. 5

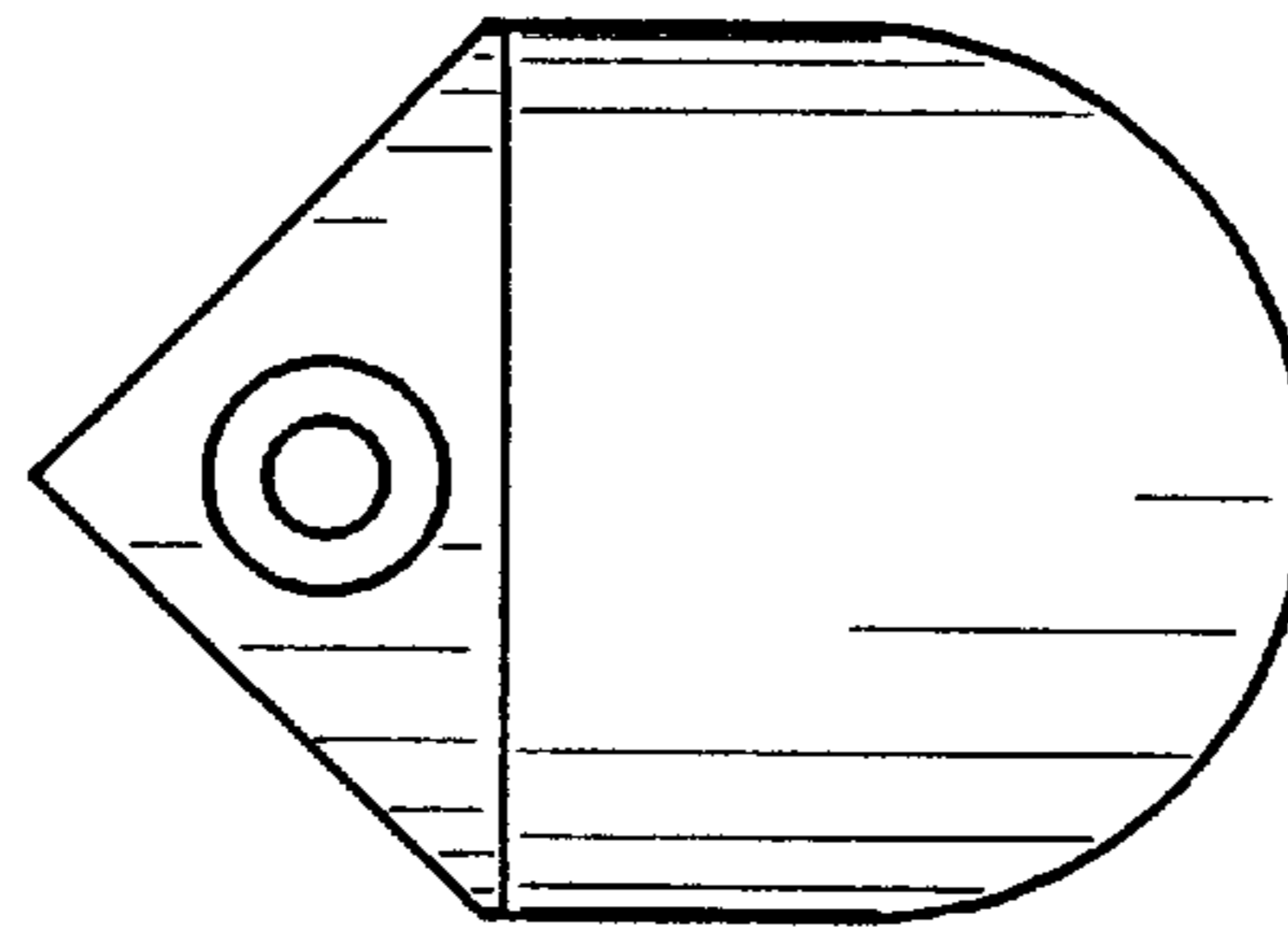


FIG. 6

