



US00D399727S

United States Patent [19]
Richter

[11] **Patent Number: Des. 399,727**
[45] **Date of Patent: **Oct. 20, 1998**

[54] **HOLDER FOR SUPPORTING ROD-LIKE OBJECTS**

Attorney, Agent, or Firm—Klaus J. Bach

[76] Inventor: **Herbert Richter**, Drosselweg 8, 75331 Engelbrand, Germany

[**] Term: **14 Years**

[57] **CLAIM**

The ornamental design for a holder for supporting rod-like objects, as shown and described.

[21] Appl. No.: **69,243**

[22] Filed: **Mar. 17, 1997**

[51] **LOC (6) Cl.** **08-05**

[52] **U.S. Cl.** **D8/380**

[58] **Field of Search** D8/380, 356, 382, D8/394-396; 24/115 R

DESCRIPTION

FIG. 1 is a perspective view of the holder for supporting rod-like objects showing my new design;
FIG. 2 is a front end view of the holder for supporting rod-like objects shown in FIG. 1;
FIG. 3 is a rear end view of the holder for supporting rod-like objects of shown in FIG. 1;
FIG. 4 is a side view of the holder for supporting rod-like objects as seen from the left side of FIG. 3;
FIG. 5 is a top view of the holder for supporting rod-like objects shown in FIG. 1; and,
FIG. 6 is a bottom view of the holder for supporting rod-like objects shown in FIG. 1.

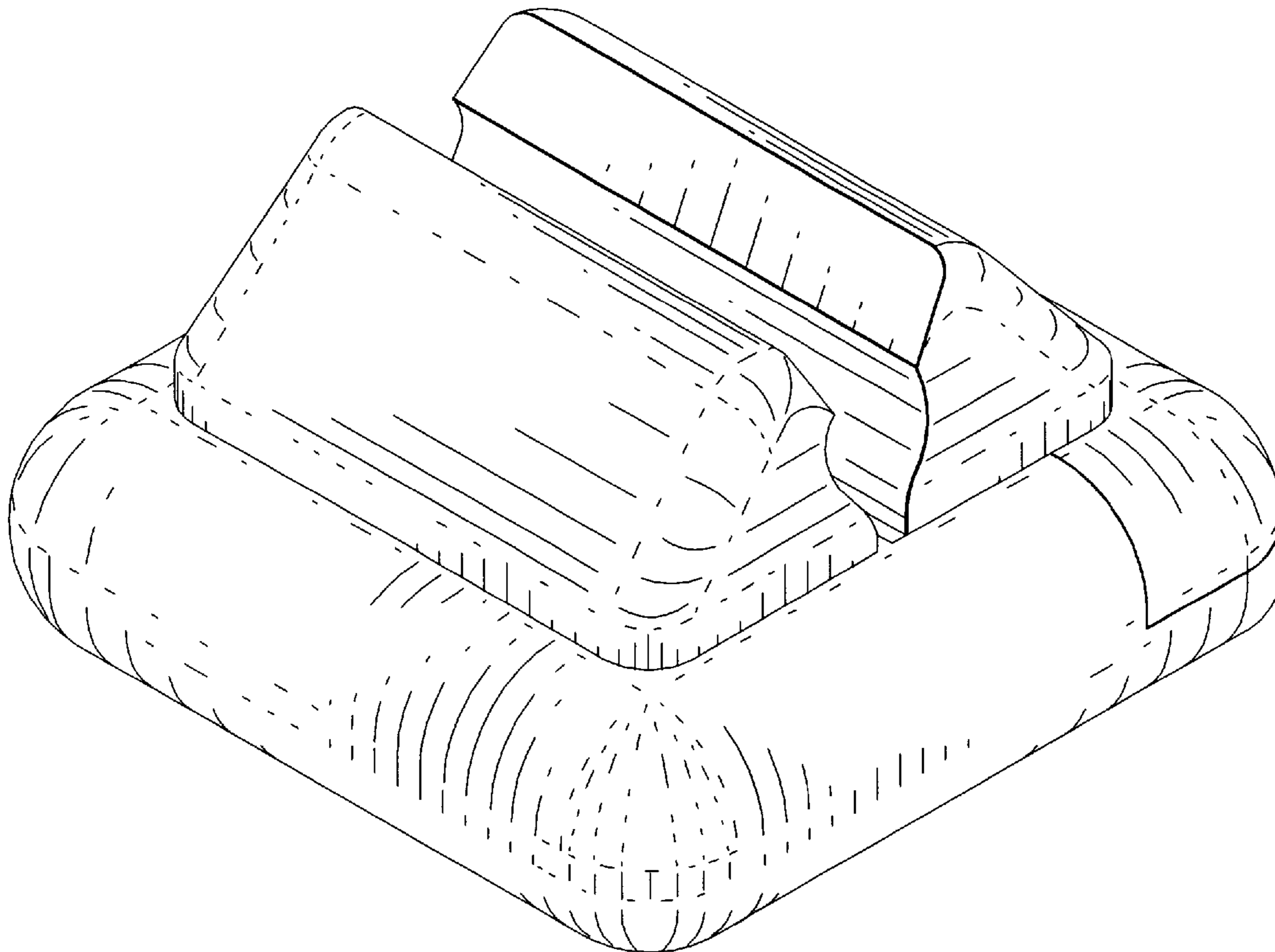
[56] **References Cited**

U.S. PATENT DOCUMENTS

D. 364,795 12/1995 Mekyska D8/354
4,910,362 3/1990 Kinner 174/135

Primary Examiner—Holly Baynham

1 Claim, 2 Drawing Sheets



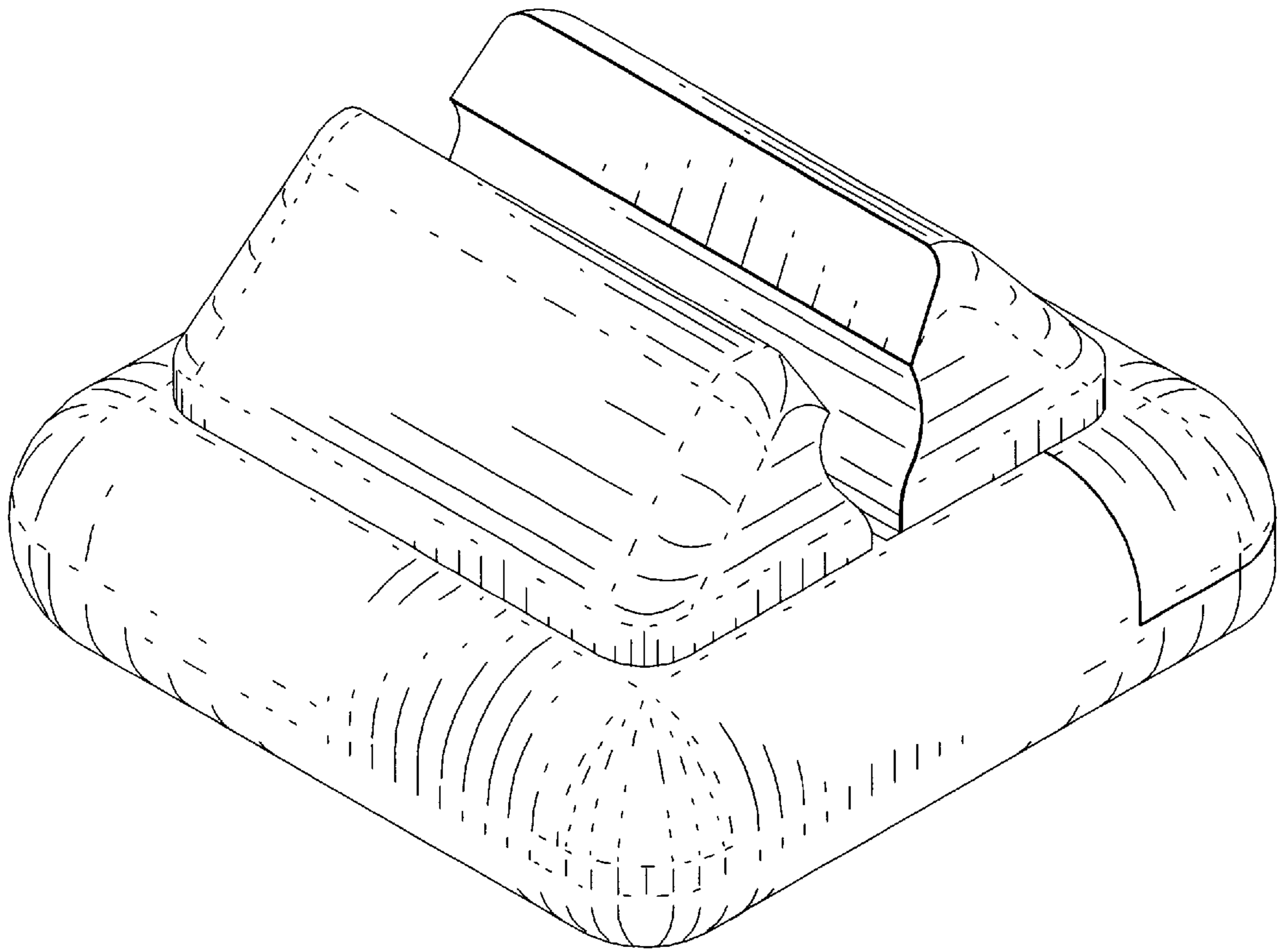


FIG. 1

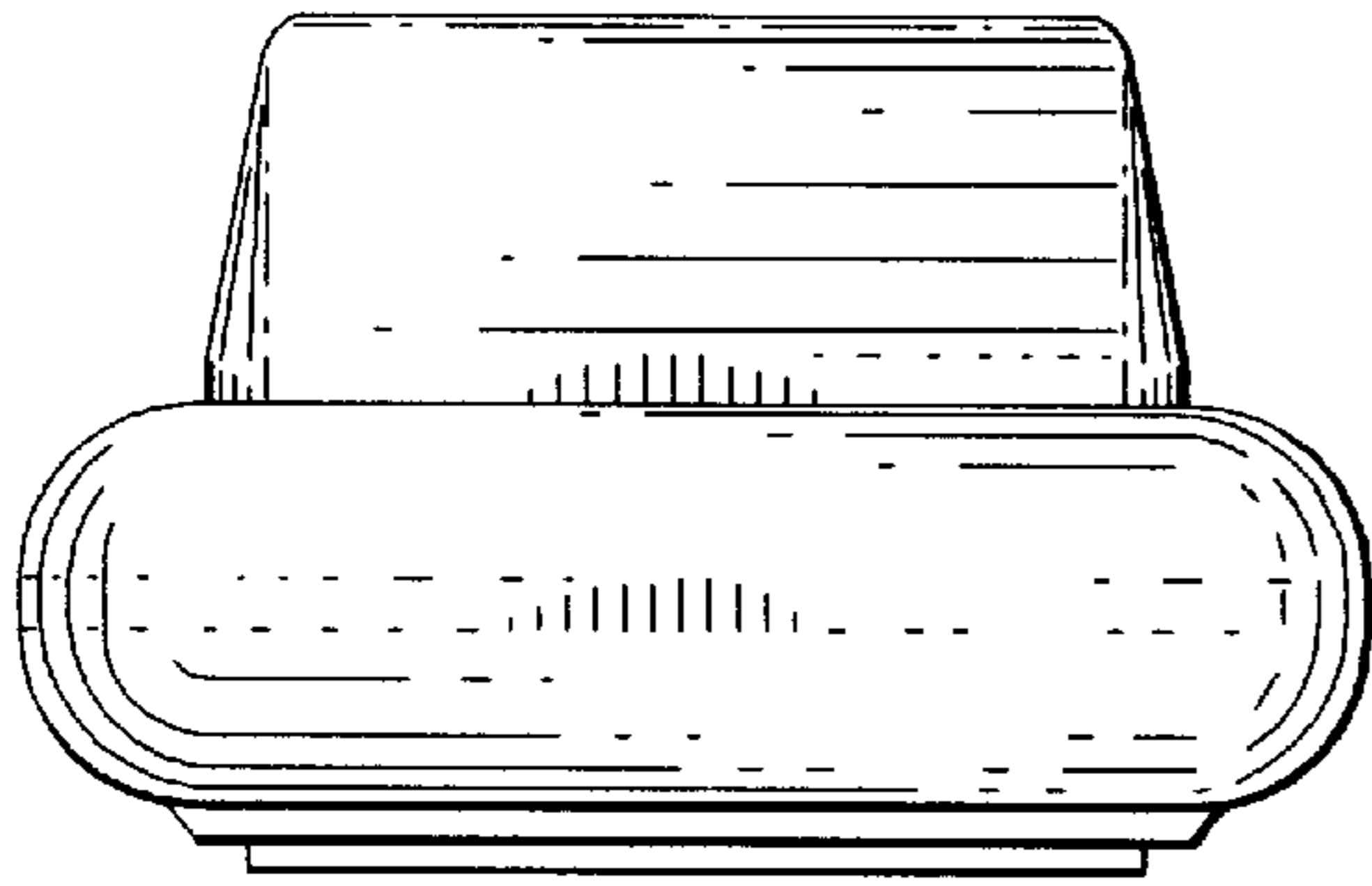


FIG. 2

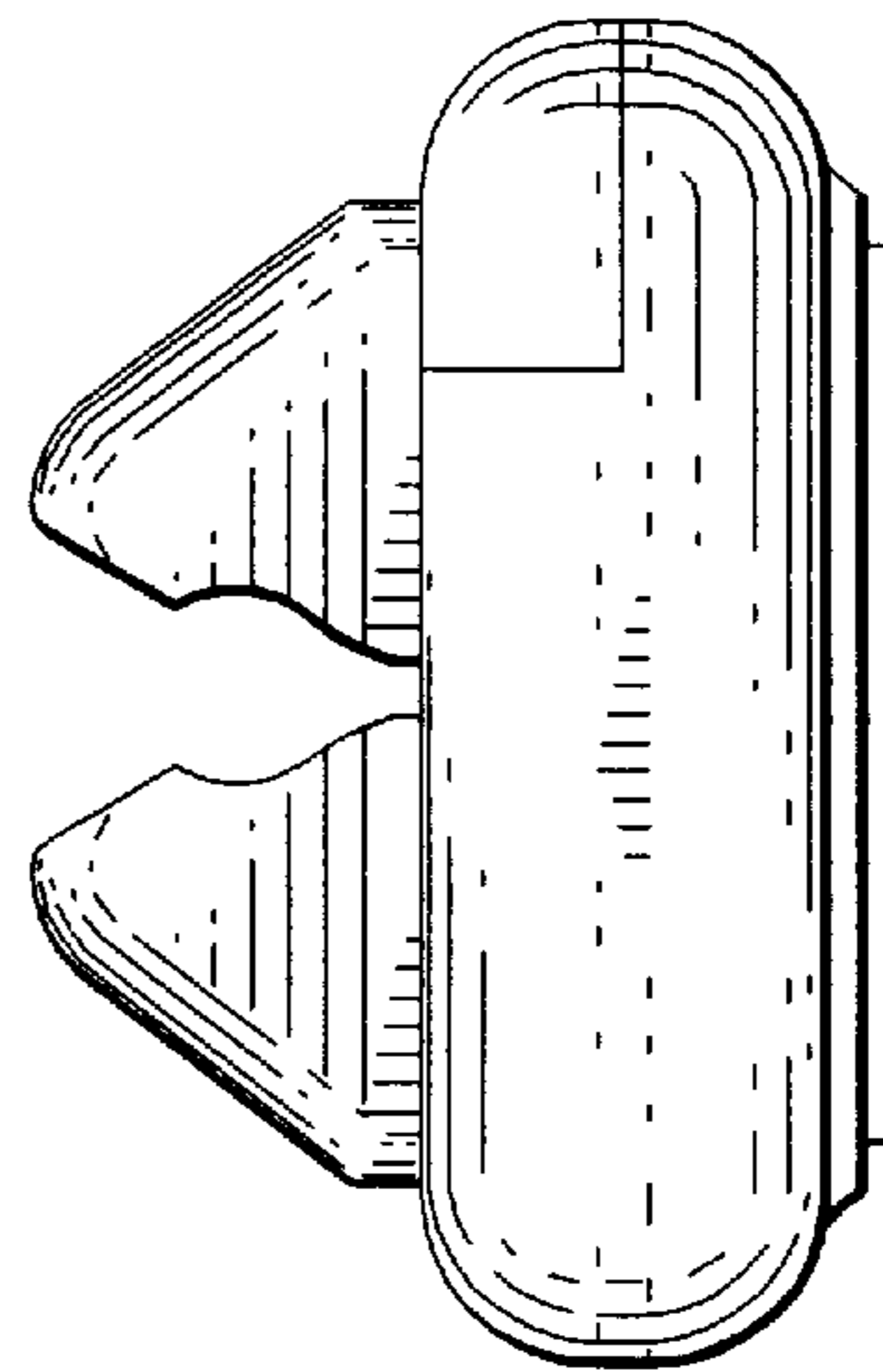


FIG. 4

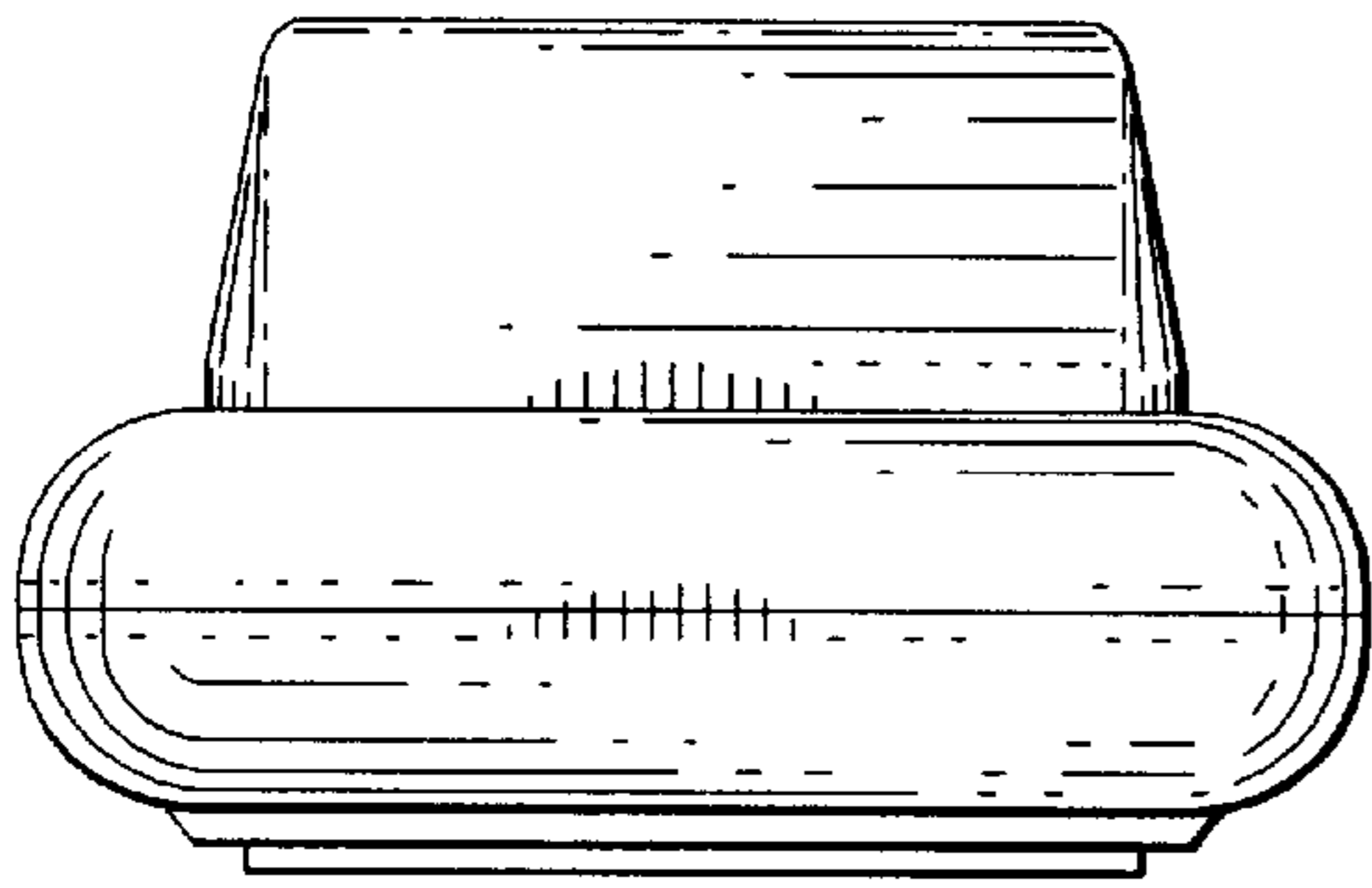


FIG. 3

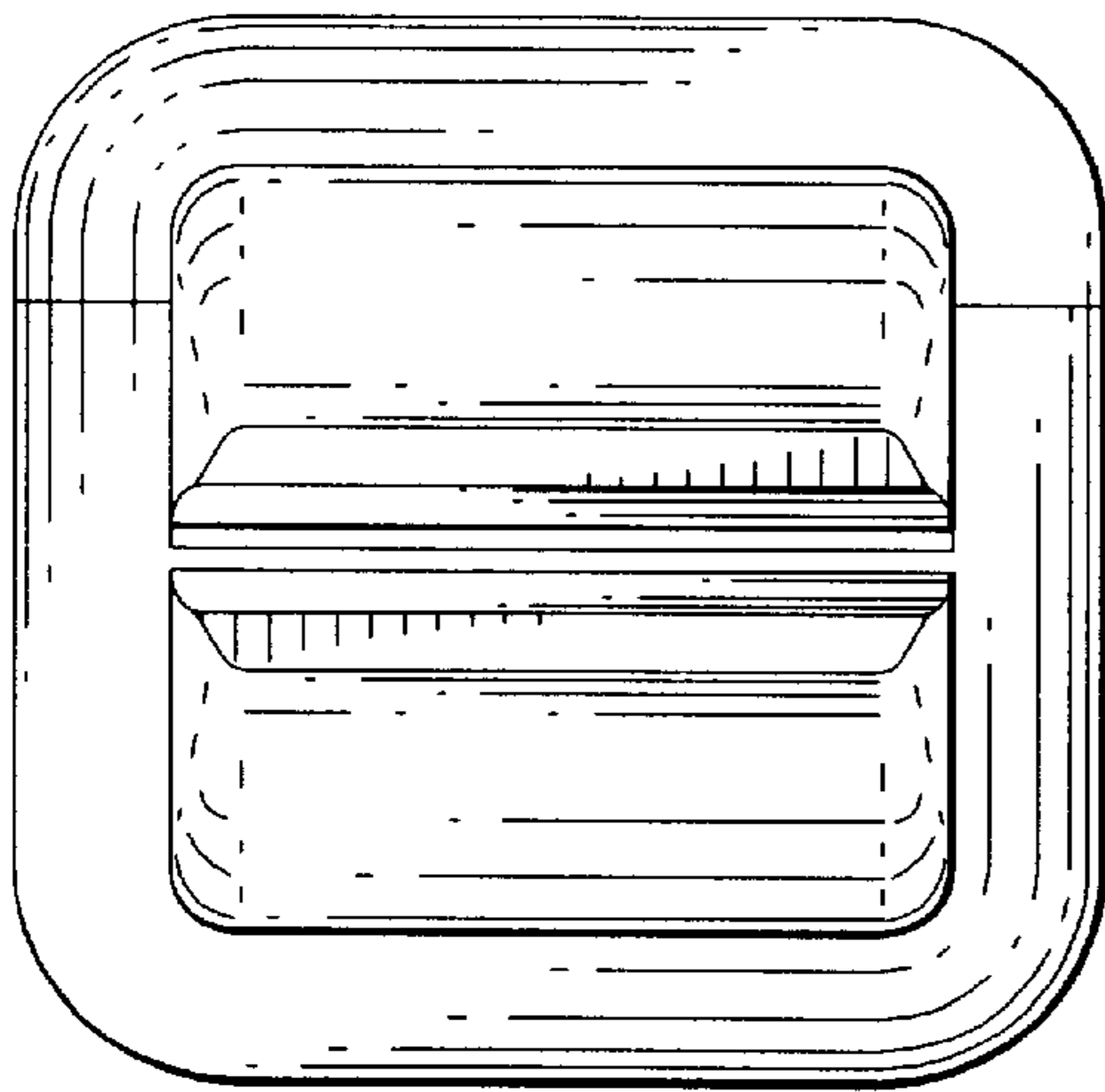


FIG. 5

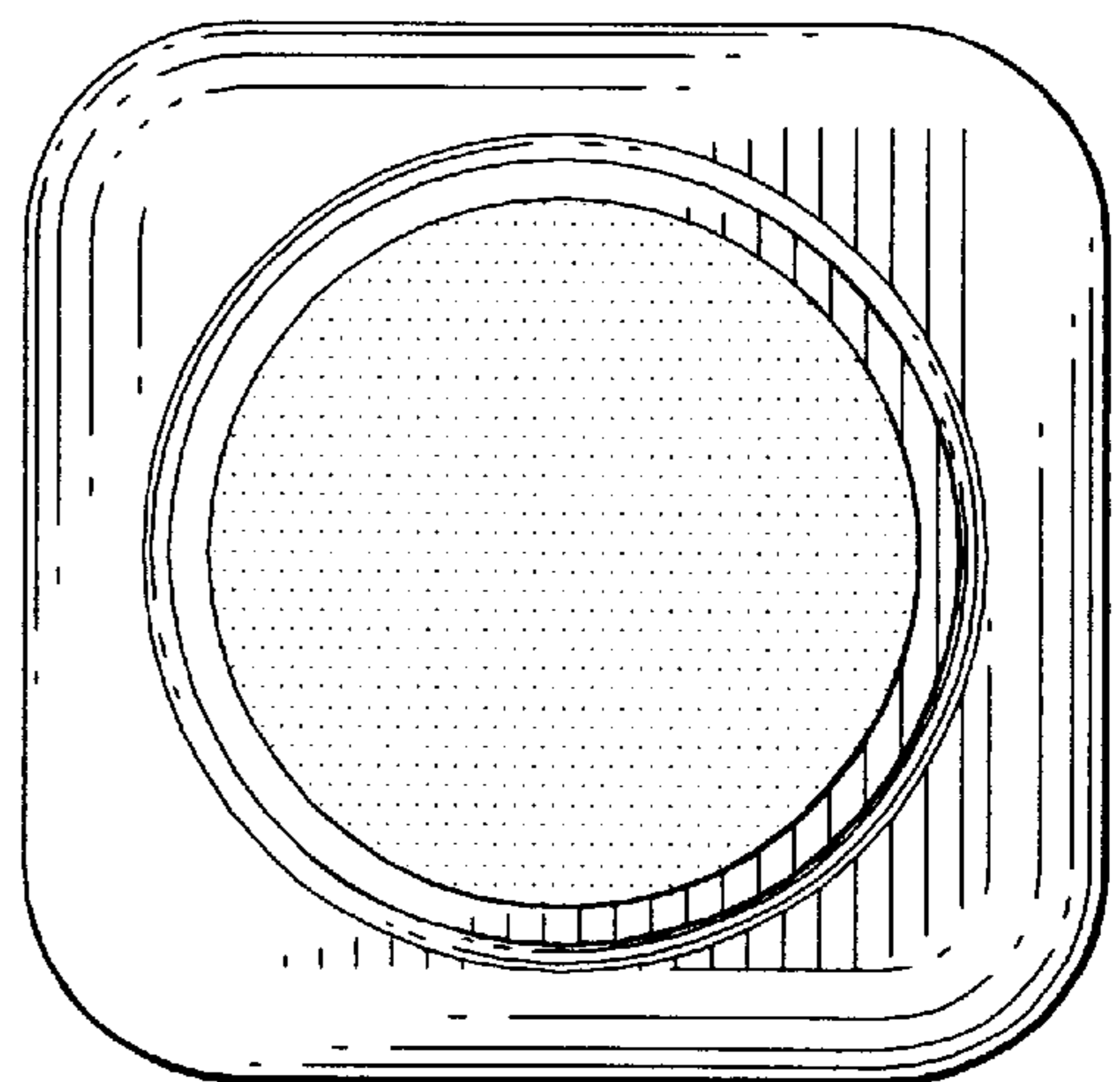


FIG. 6