



US00D399726S

# United States Patent [19] Tsai

[11] **Patent Number: Des. 399,726**

[45] **Date of Patent: \*\*Oct. 20, 1998**

[54] **SWIVEL SNAP HOOK**

[76] Inventor: **T. Y. Tsai**, 3rd Floor, No. 168, Yung Chi Road, Taipei, Taiwan

[\*\*] Term: **14 Years**

[21] Appl. No.: **83,733**

[22] Filed: **Feb. 17, 1998**

[51] **LOC (6) Cl. .... 08-05**

[52] **U.S. Cl. .... D8/367**

[58] **Field of Search** ..... D11/200, 201, D11/215; D8/382, 367, 349, 354; 24/265 H, 3.6; 294/82.1; 403/2; D3/707-712; 70/456 R, 459

[56] **References Cited**

**U.S. PATENT DOCUMENTS**

D. 342,665 12/1993 Rekul ..... D8/367

D. 346,423 4/1994 Kitagawa ..... D8/367  
D. 354,676 1/1995 Izumi et al. .... D8/367  
D. 373,302 9/1996 Chen ..... D8/367

*Primary Examiner*—Ralf Seifert  
*Attorney, Agent, or Firm*—John J. Mulrooney

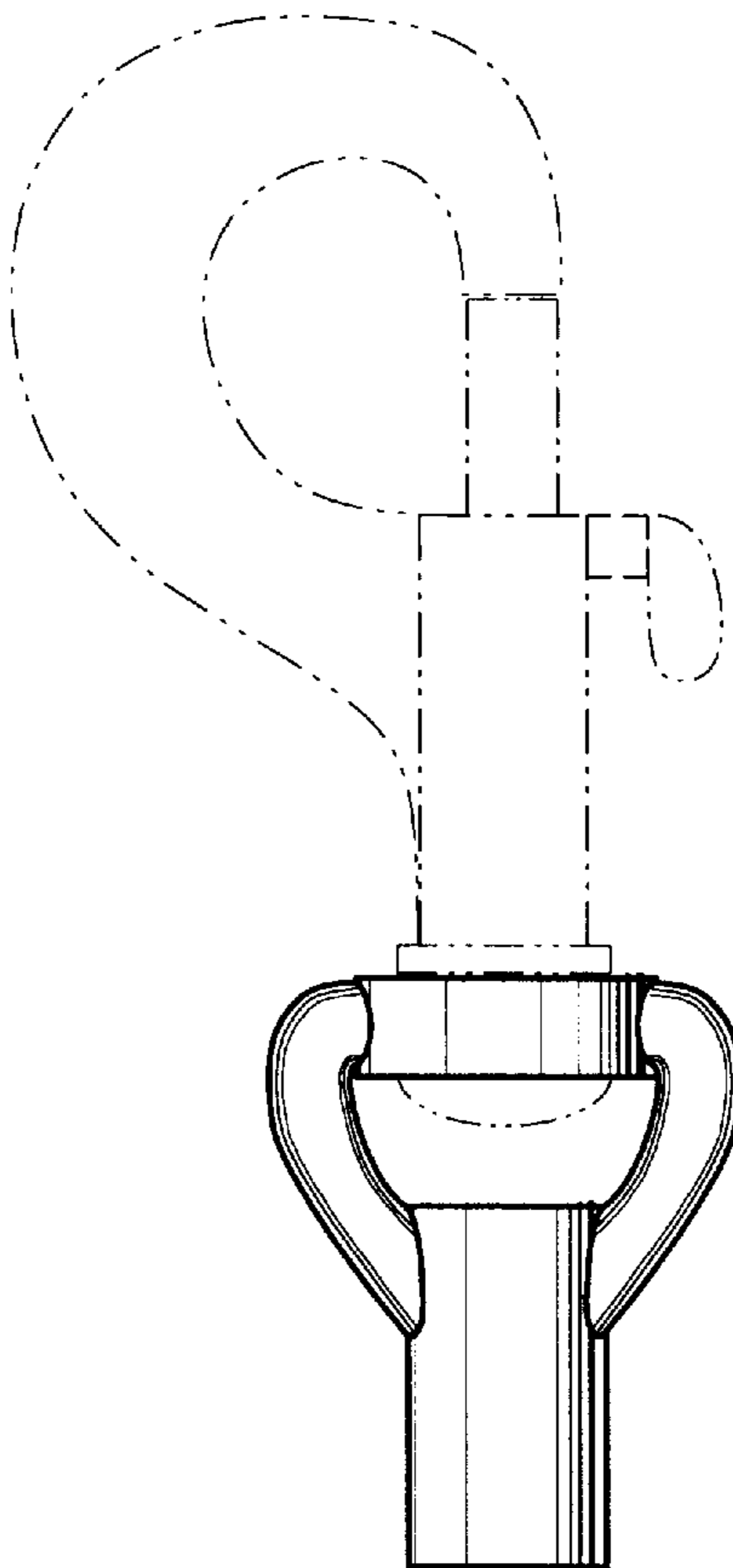
[57] **CLAIM**

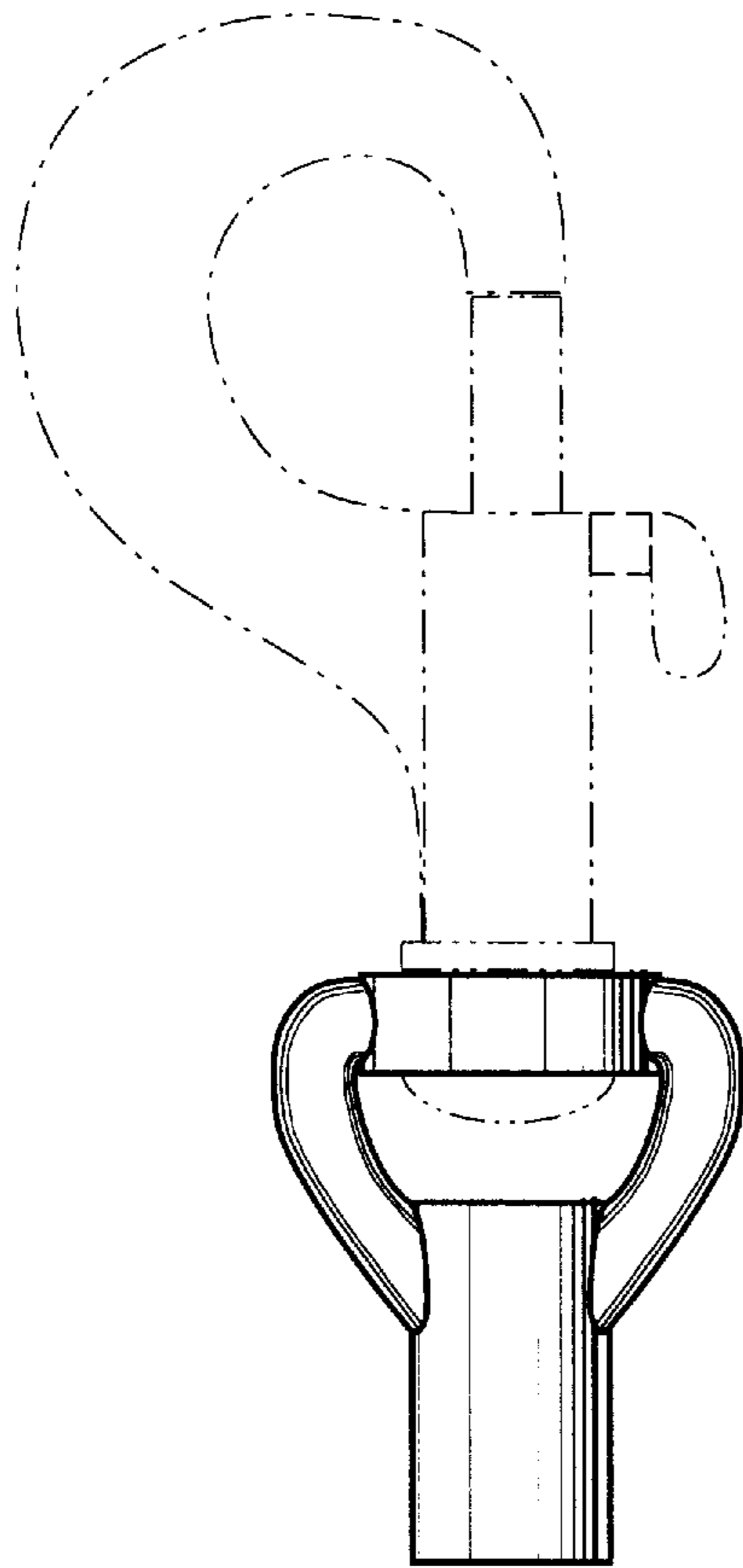
The ornamental design for a swivel snap hook, as shown.

**DESCRIPTION**

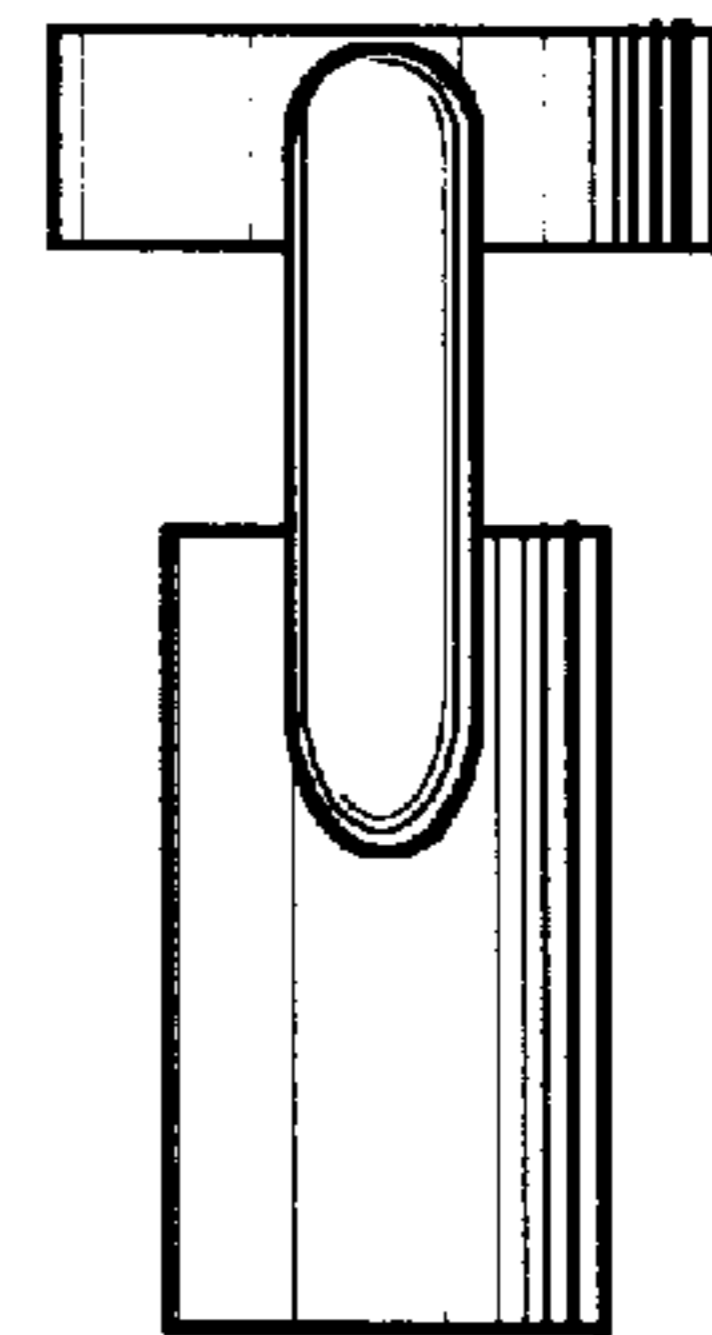
FIG. 1 is an front elevation view of the invention;  
FIG. 2 is a side elevation view of the invention;  
FIG. 3 is a top view of the invention;  
FIG. 4 is a bottom view of the invention; and,  
FIG. 5 is a perspective view of the invention.

**1 Claim, 1 Drawing Sheet**

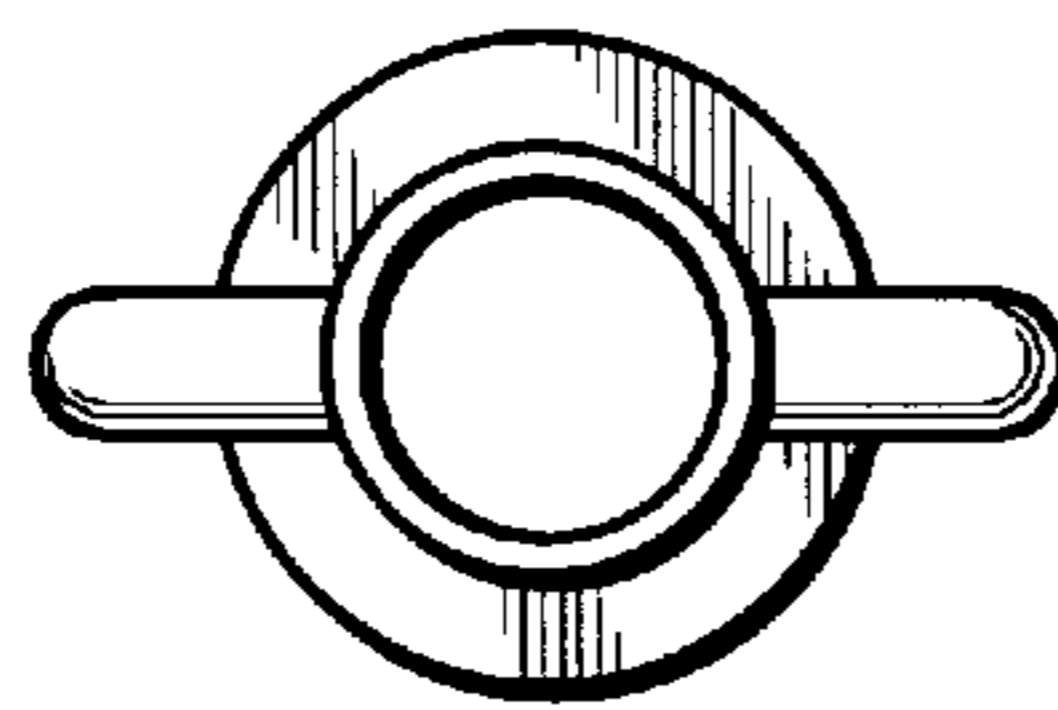




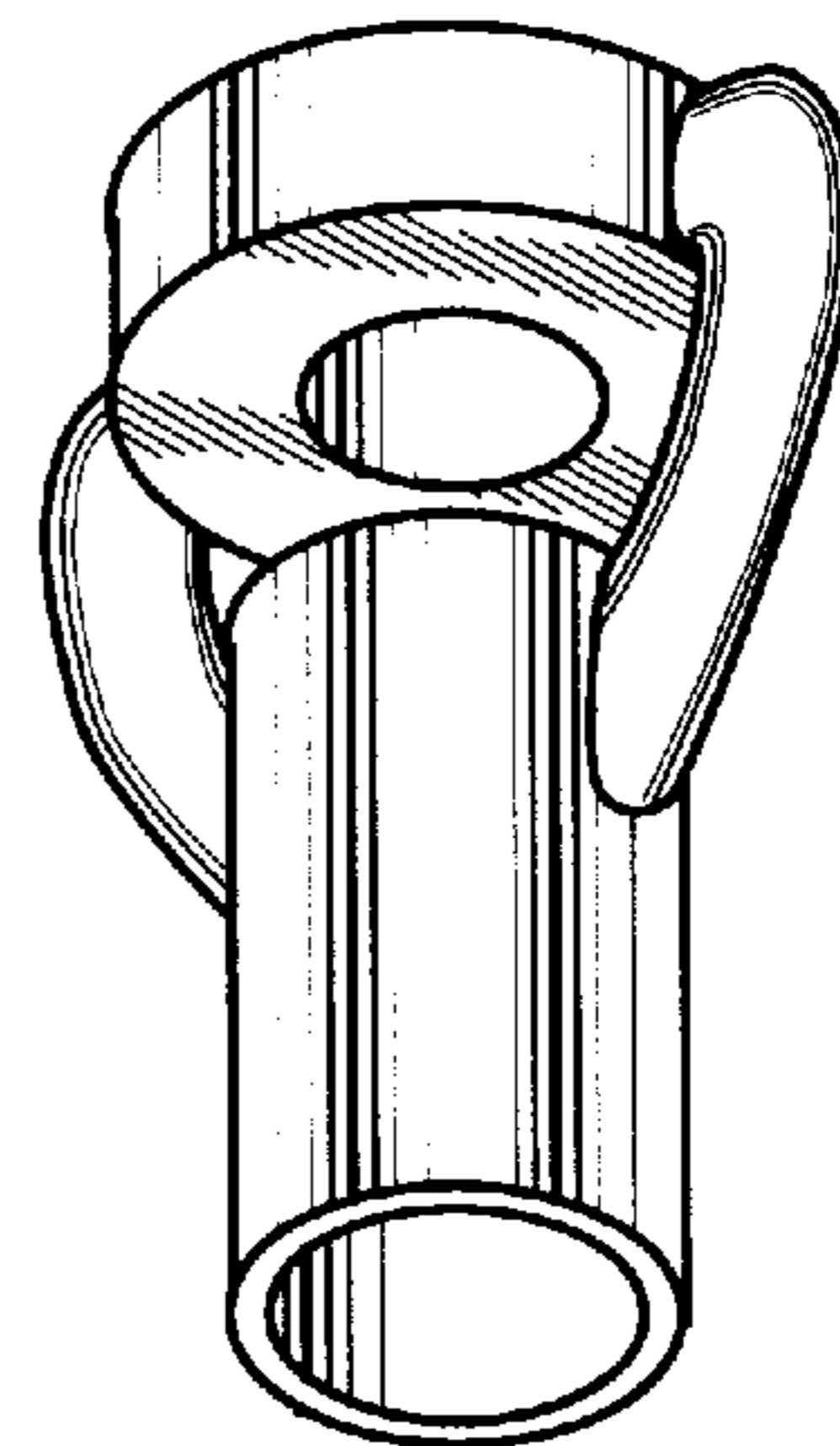
*Fig.1*



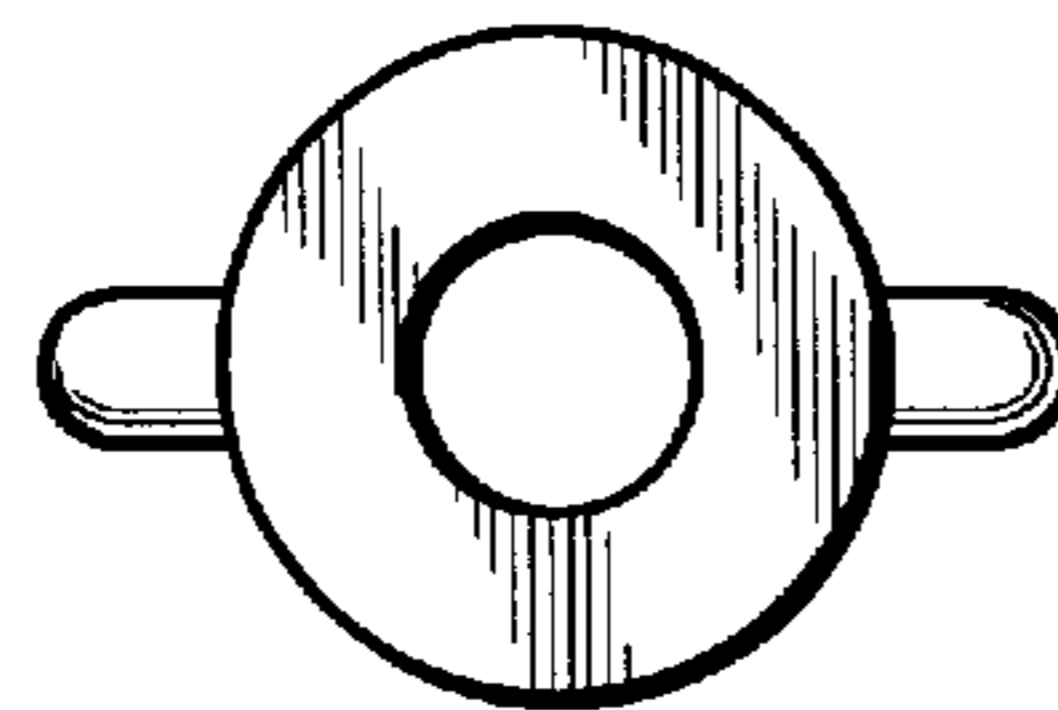
*Fig.2*



*Fig.3*



*Fig.5*



*Fig.4*