



US00D399720S

United States Patent [19]

Owens et al.

[11] Patent Number: **Des. 399,720**

[45] Date of Patent: ****Oct. 20, 1998**

[54] **UTILITY KNIFE WITH RETRACTABLE
BLADE GUARD**

[75] Inventors: **Robert L. Owens**, Shaftsbury, Vt.;
David Garabedian, Farmington, Conn.;
David W. Kaiser, North Haven, Conn.;
John M. Staton, Bristol, Conn.

[73] Assignee: **The Stanley Works**, New Britain,
Conn.

[**] Term: **14 Years**

[21] Appl. No.: **74,813**

[22] Filed: **Aug. 8, 1997**

[51] **LOC (6) Cl.** **08-03**

[52] **U.S. Cl.** **D8/98**

[58] **Field of Search** D8/98, 99, 107;
30/162, 320, 329, 335, 337

[56] **References Cited**

U.S. PATENT DOCUMENTS

D. 305,096	12/1989	Tench et al.	D8/99
D. 319,378	8/1991	Wilcox	D8/99
D. 336,029	6/1993	Ragland et al.	D8/99
D. 348,383	7/1994	Perkins	D8/99

D. 349,227	8/1994	Ragland et al.	D8/99
D. 352,881	11/1994	Schmidt	D8/99
D. 352,882	11/1994	Schmidt	D8/98
4,226,020	10/1980	Quenot et al.	30/162
5,269,063	12/1993	Okada	30/162
5,502,896	4/1996	Chen	30/162

Primary Examiner—Philip S. Hyder
Attorney, Agent, or Firm—Pepe & Hazard LLP

[57] **CLAIM**

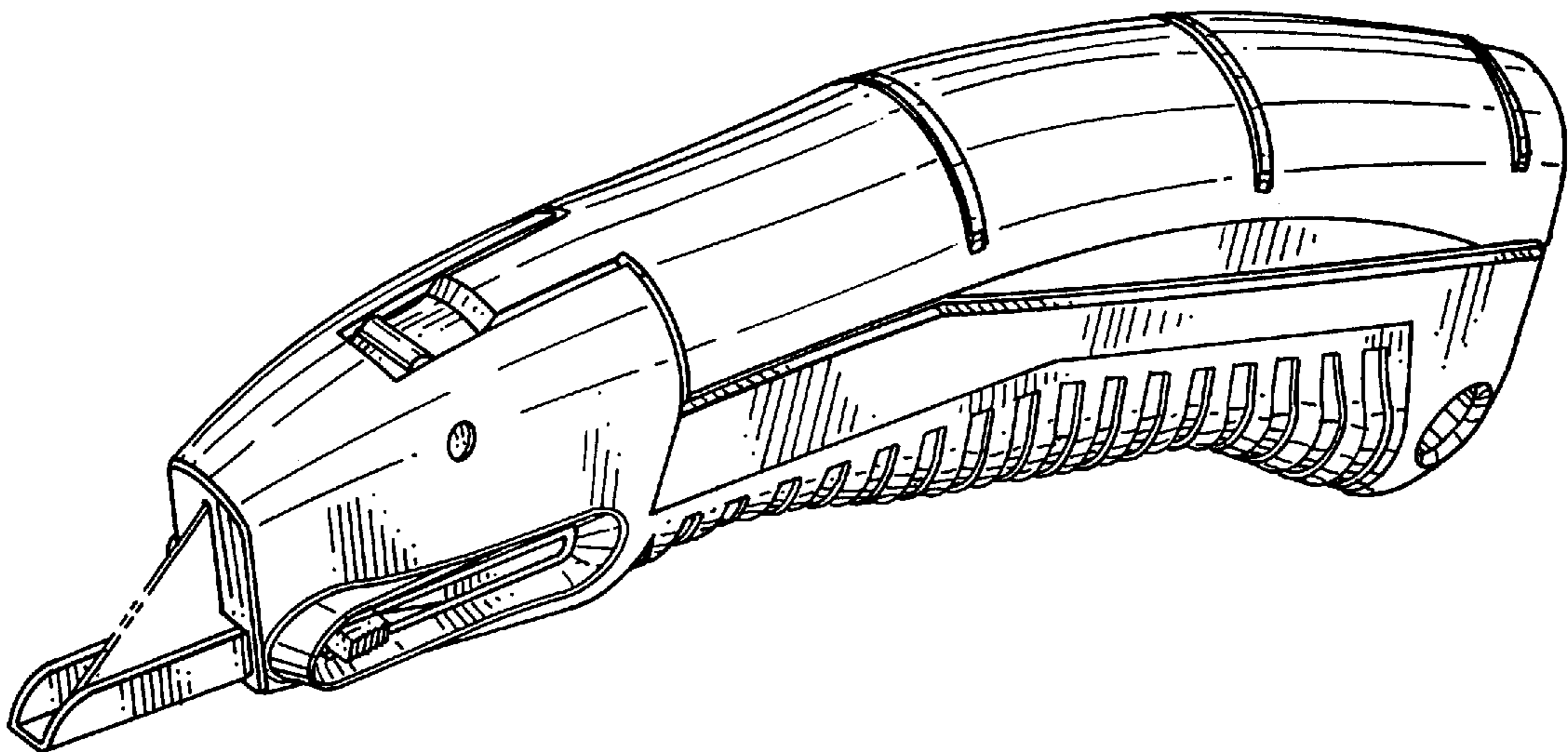
The ornamental design for a utility knife with retractable blade guard, as shown and described.

DESCRIPTION

FIG. 1 is a top perspective view of a utility knife with retractable blade guard showing my new design with the blade guard extended and a blade shown in phantom line; FIG. 2 is a side elevational view thereof, wherein the opposite side view is a mirror image; FIG. 3 is a top plan view thereof; FIG. 4 is a bottom plan view thereof; FIG. 5 is a front elevational view thereof; and, FIG. 6 is a rear elevational view thereof.

The broken line showing of the blade is for illustrative purposes only and forms no part of the claimed design.

1 Claim, 2 Drawing Sheets



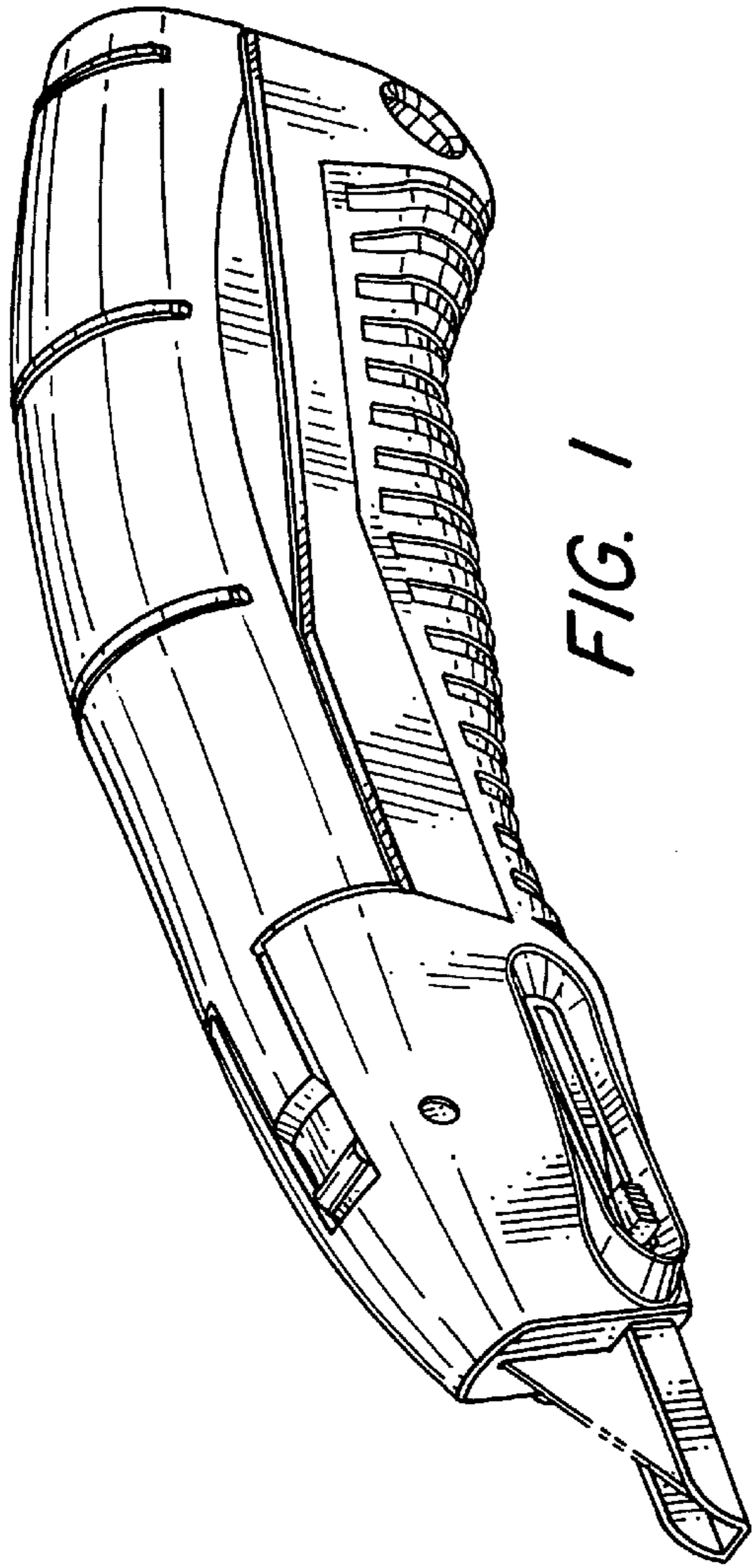


FIG. 1

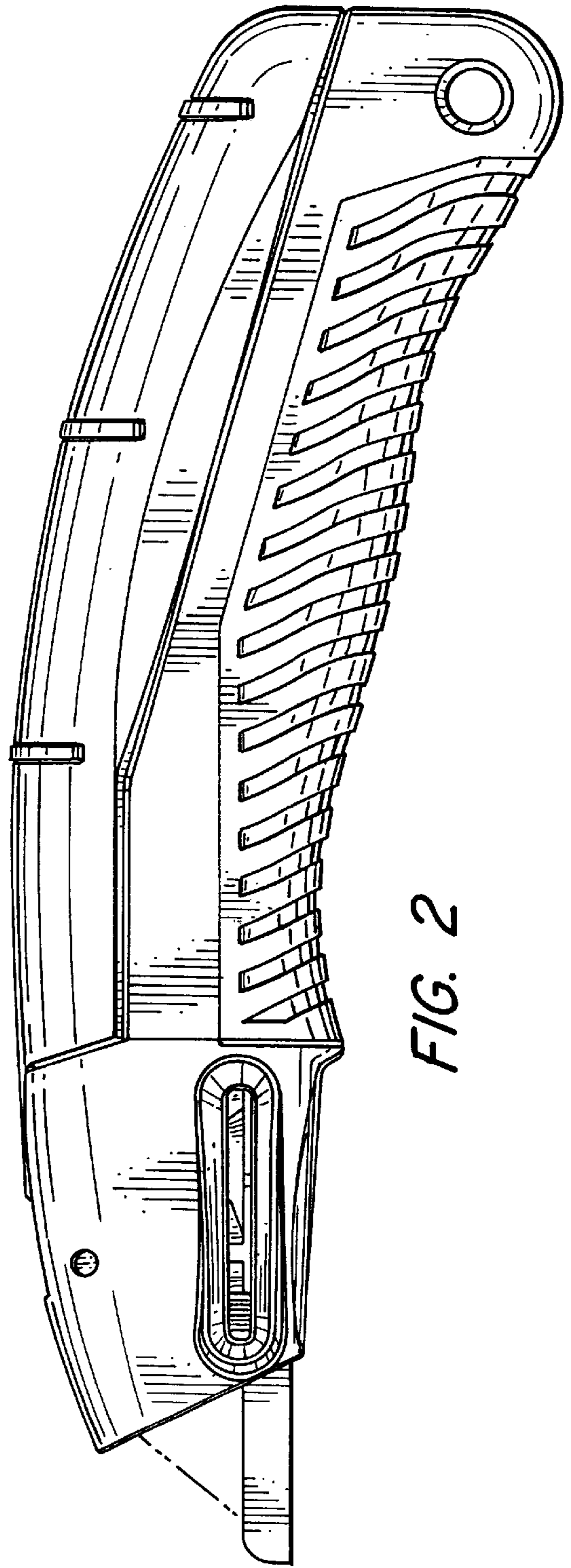


FIG. 2

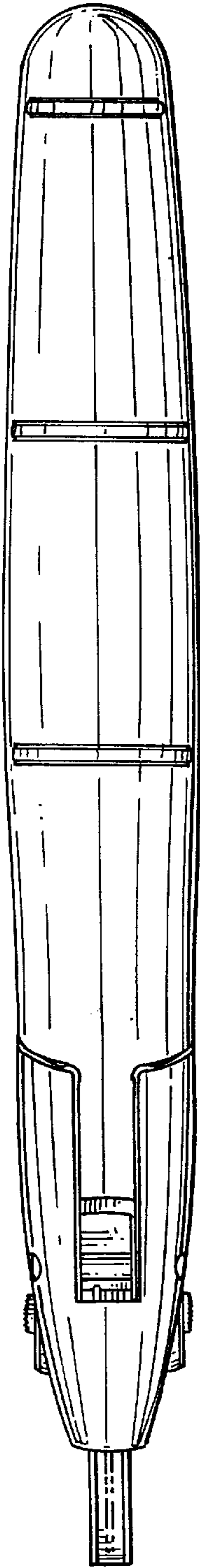


FIG. 3

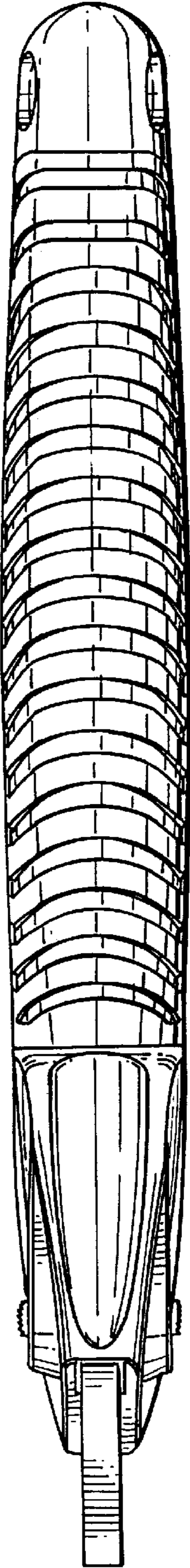


FIG. 4

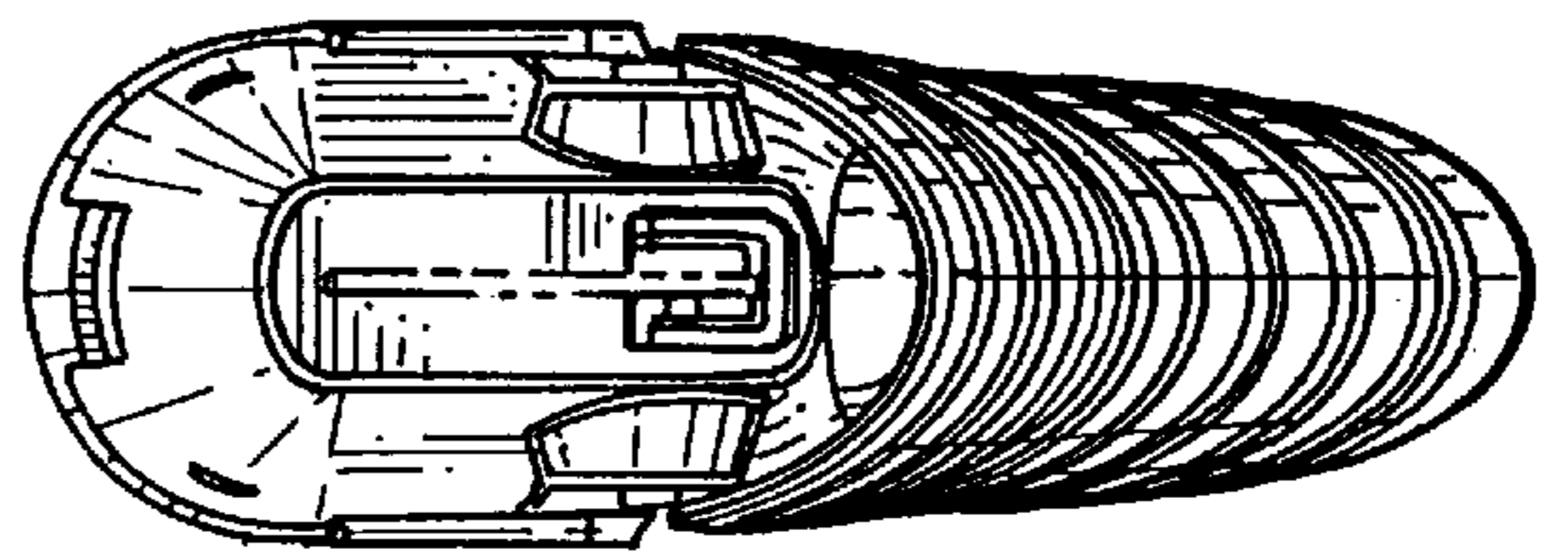


FIG. 5

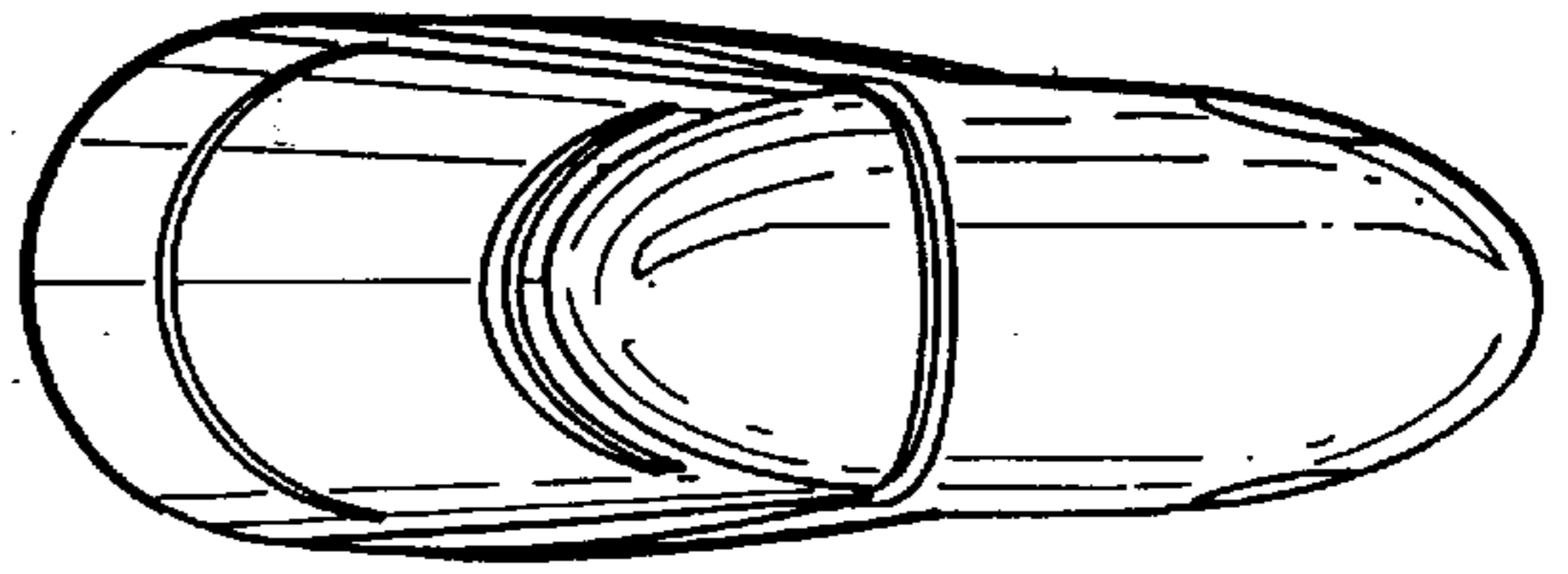


FIG. 6