



US00D399718S

# United States Patent [19] Spencer

[11] **Patent Number: Des. 399,718**

[45] **Date of Patent: \*\*Oct. 20, 1998**

[54] **DRUM DEHEADER**

### OTHER PUBLICATIONS

[75] Inventor: **Paul Spencer**, New Hope, Pa.

Wesco sales literature dated 1994.

[73] Assignee: **Wesco Manufacturing Company**,  
Lansdale, Pa.

Wesco Operating Instructions and Parts Manual for #272018  
Drum DeHeader (1A122) (admitted prior art).

[\*\*] Term: **14 Years**

Wesco Operating Instructions for ECOA Drum Deheader  
(admitted prior art).

[21] Appl. No.: **44,137**

*Primary Examiner*—Sandra L. Morris

*Assistant Examiner*—Richelle Shelton

[22] Filed: **Sep. 18, 1995**

*Attorney, Agent, or Firm*—Panitch Schwarze Jacobs &  
Nadel, P.C.

[51] **LOC (6) Cl.** ..... **08-05**

[52] **U.S. Cl.** ..... **D8/51; D8/33**

[58] **Field of Search** ..... D8/14, 21, 33,  
D8/40, 41, 51, 107; 30/400, 429, 432, 442;  
81/3.48, 3.49, 3.41

### [57] CLAIM

The ornamental design for a drum deheader, as shown and  
described.

### [56] References Cited

### DESCRIPTION

#### U.S. PATENT DOCUMENTS

FIG. 1 is a front elevational view thereof in accordance with  
my new design;

FIG. 2 is a rear elevational view thereof;

FIG. 3 is a bottom plan view thereof;

FIG. 4 is a top plan view thereof;

FIG. 5 is a left-side elevational view thereof; and,

FIG. 6 is a right-side elevational view thereof.

135,676	2/1873	Todd	72/458
894,626	7/1908	Givens	30/429 X
1,515,395	11/1924	La Londe	30/429 X
2,252,406	8/1941	O'Brien	30/432
4,169,313	10/1979	Thurmond, Jr.	30/432

#### FOREIGN PATENT DOCUMENTS

55582	of 0000	Germany	81/3.41
-------	---------	---------	---------

**1 Claim, 3 Drawing Sheets**

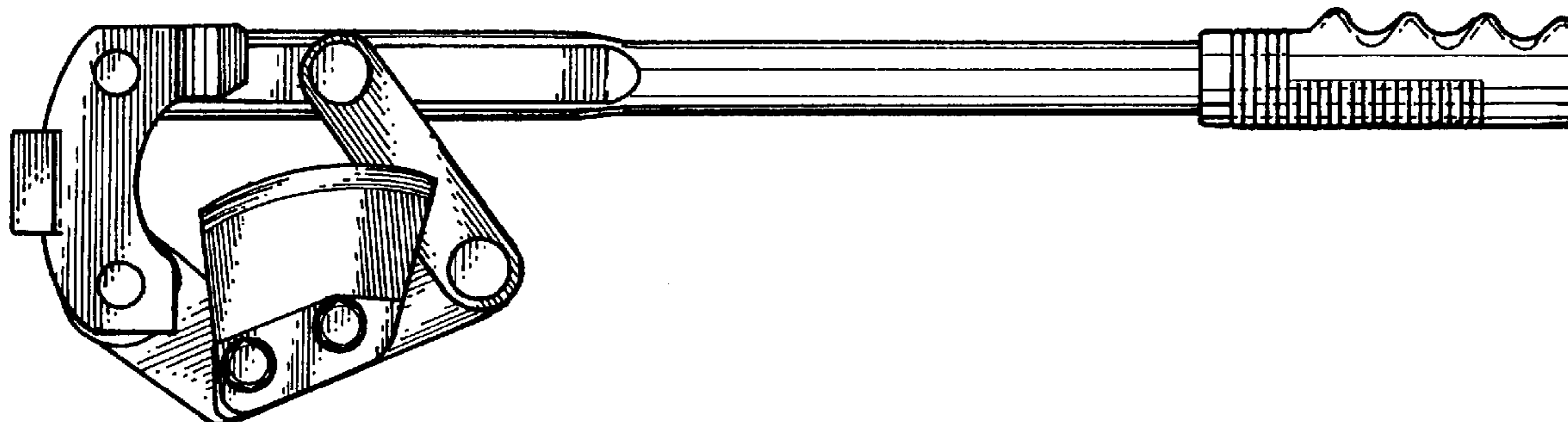


FIG. 1

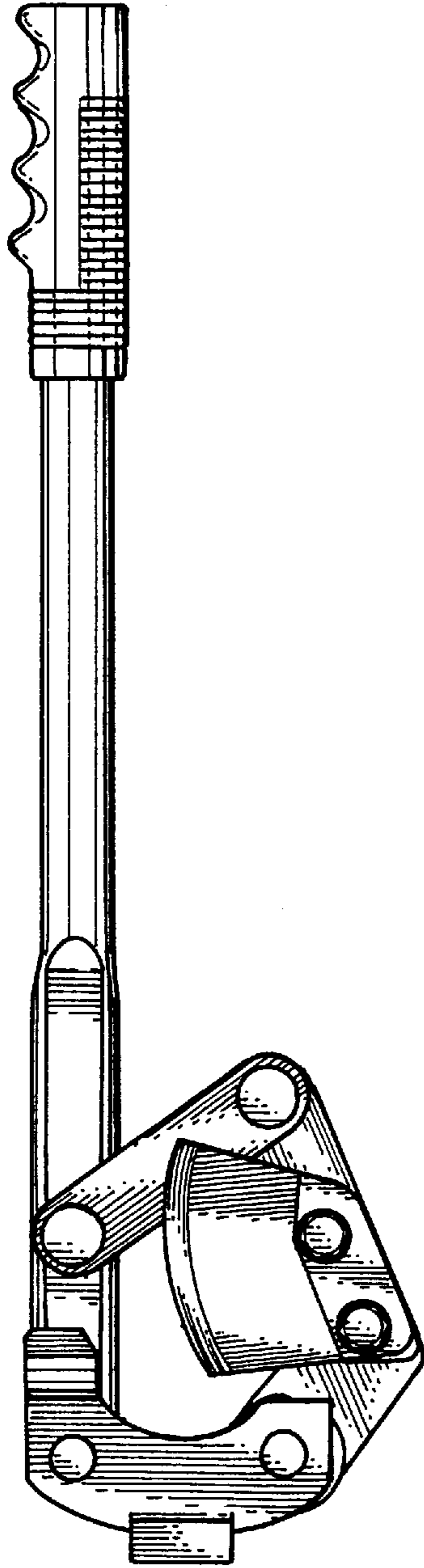
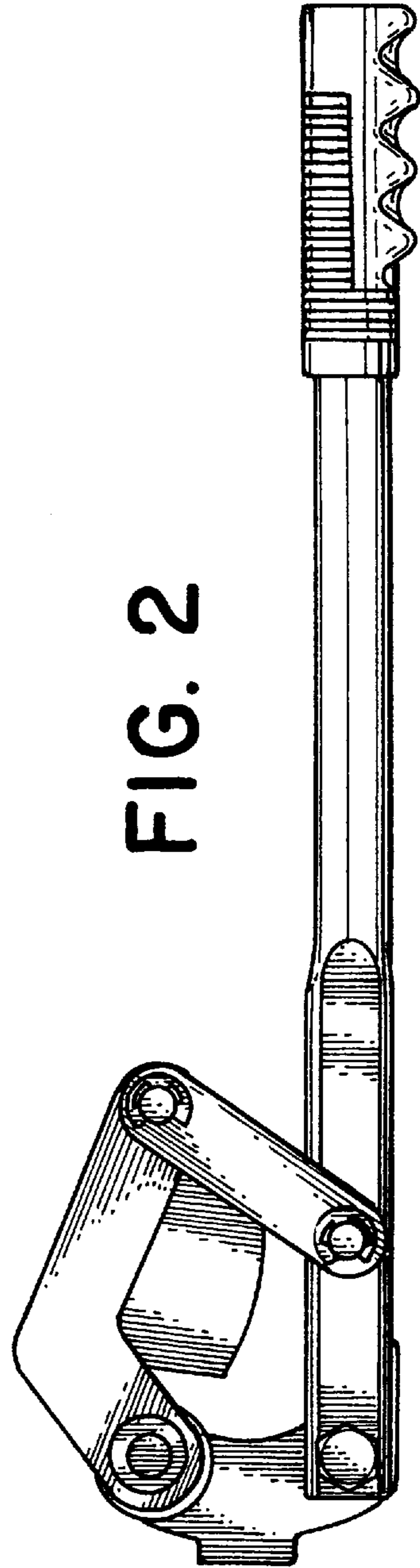


FIG. 2



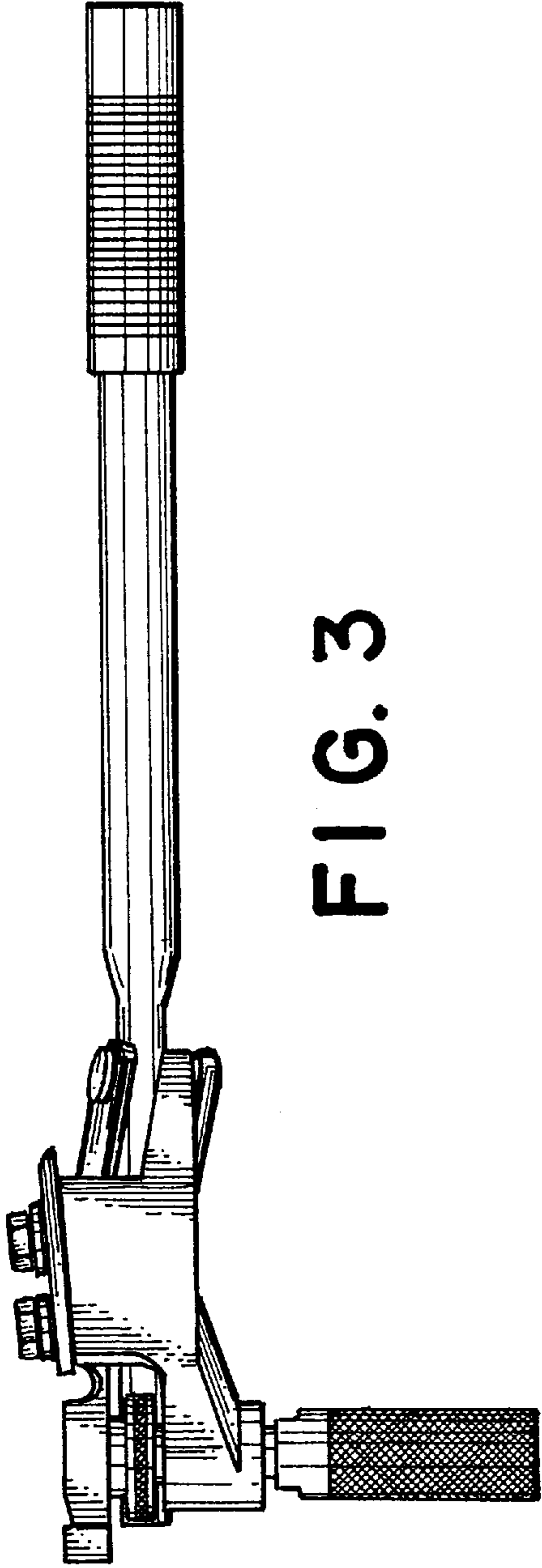


FIG. 3

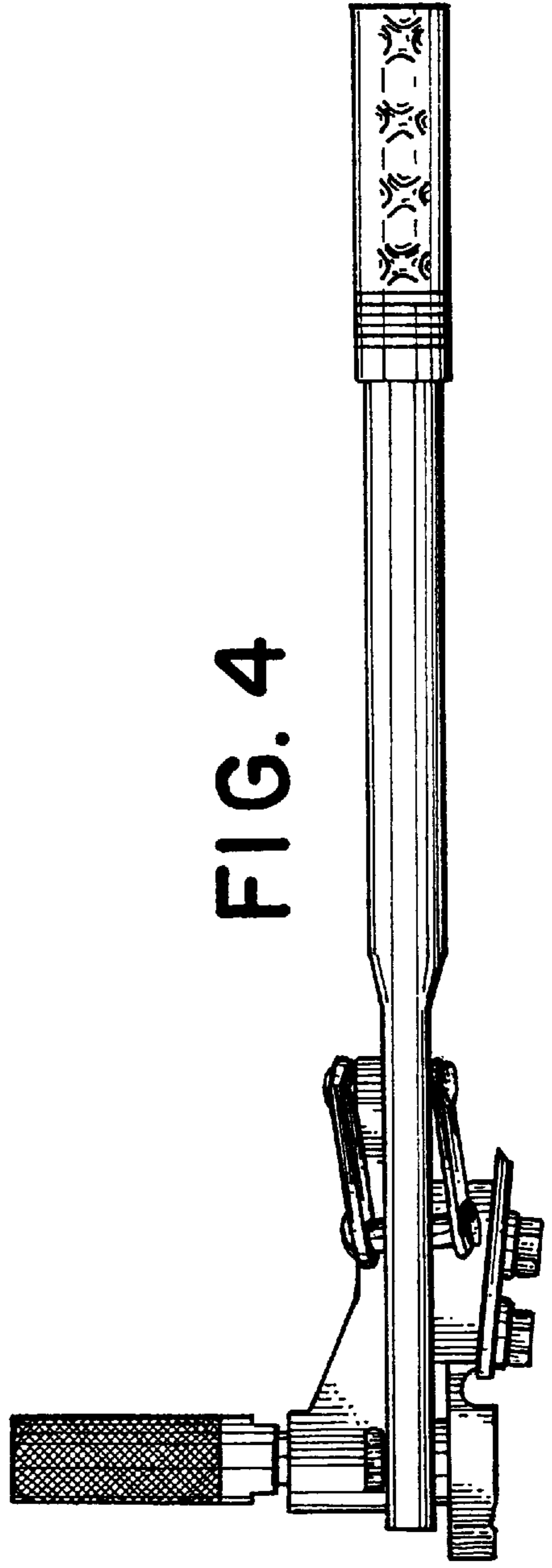


FIG. 4

FIG. 5

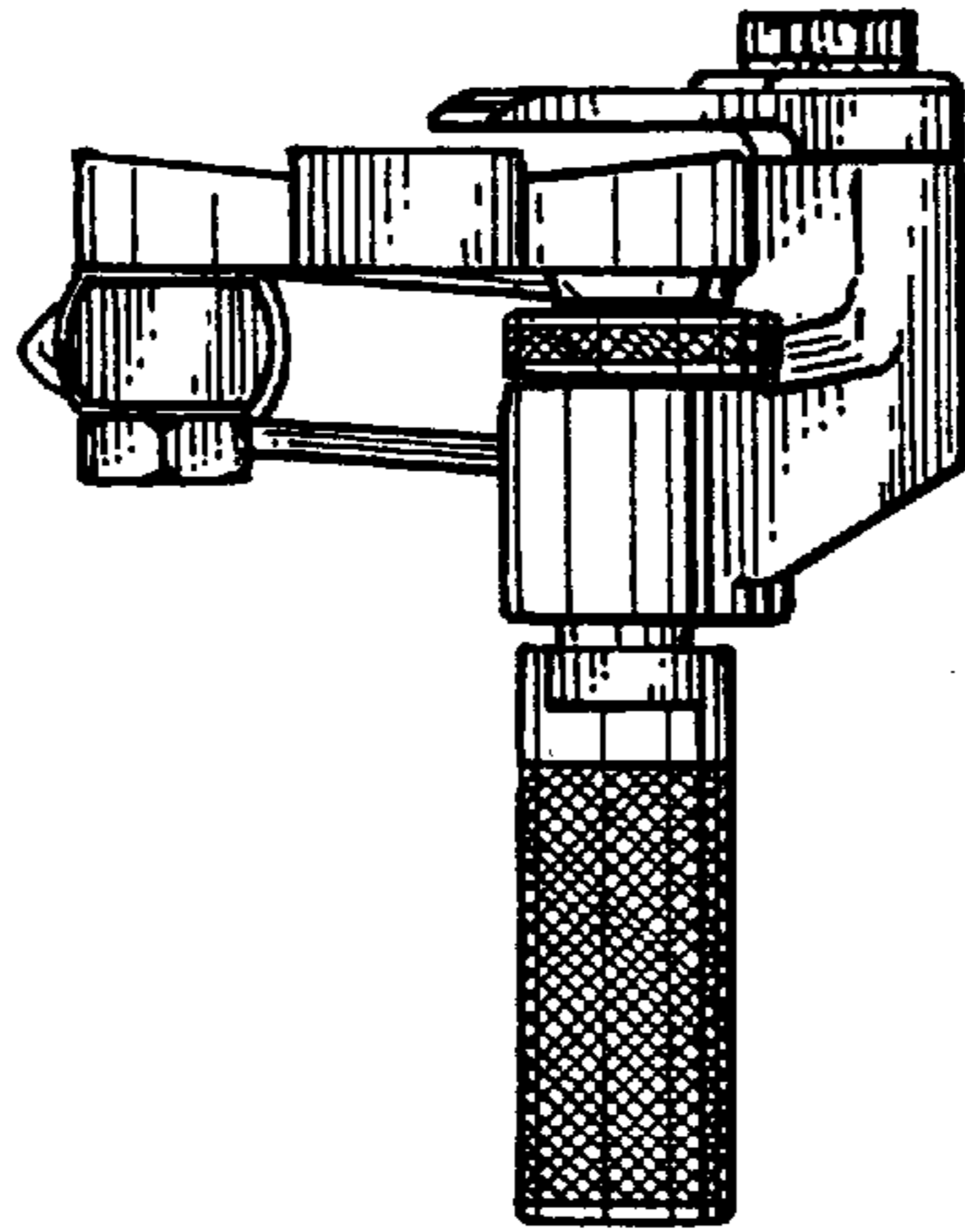


FIG. 6

