



US00D399716S

United States Patent [19] Carr

[11] **Patent Number: Des. 399,716**

[45] **Date of Patent: **Oct. 20, 1998**

[54] **UNIVERSAL WRENCH**

4,939,960 7/1990 Kinzli 81/124.4
5,685,207 11/1997 Hubert 81/177.5

[75] Inventor: **Steven H. Carr**, Southampton, Pa.

[73] Assignee: **Valley Power, Inc.**, Willow Grove, Pa.

[**] Term: **14 Years**

Primary Examiner—Sandra L. Morris
Assistant Examiner—Richelle Shelton
Attorney, Agent, or Firm—Joseph W. Molasky & Associates

[21] Appl. No.: **77,075**

[22] Filed: **Sep. 26, 1997**

[57] **CLAIM**

The ornamental design for a universal wrench, as shown and described.

[51] **LOC (6) Cl.** **08-05**

[52] **U.S. Cl.** **D8/21; D8/29; D8/31**

[58] **Field of Search** **D8/21-29, 31, D8/51; 7/100; 81/121.1, 125, 124.4, 125.1, 177.5**

DESCRIPTION

FIG. 1 is a perspective view of my universal wrench design; FIG. 2 is a first side elevation view of the universal wrench of FIG. 1; FIG. 3 is a second side elevation view, opposite of FIG. 2, of the universal wrench of FIG. 1; FIG. 4 is a top view of the universal wrench of FIG. 1, the bottom view being substantially identical; FIG. 5 is a front view of the universal wrench of FIG. 1; and, FIG. 6 is a rear view, opposite of FIG. 5 of the universal wrench of FIG. 1.

[56] **References Cited**

U.S. PATENT DOCUMENTS

D. 218,140	7/1970	Gerhardt	D8/29
D. 291,961	9/1987	Anderson	D8/24
3,416,395	12/1968	Hanson	81/125
4,569,259	2/1986	Rubin et al.	81/121.1

1 Claim, 2 Drawing Sheets

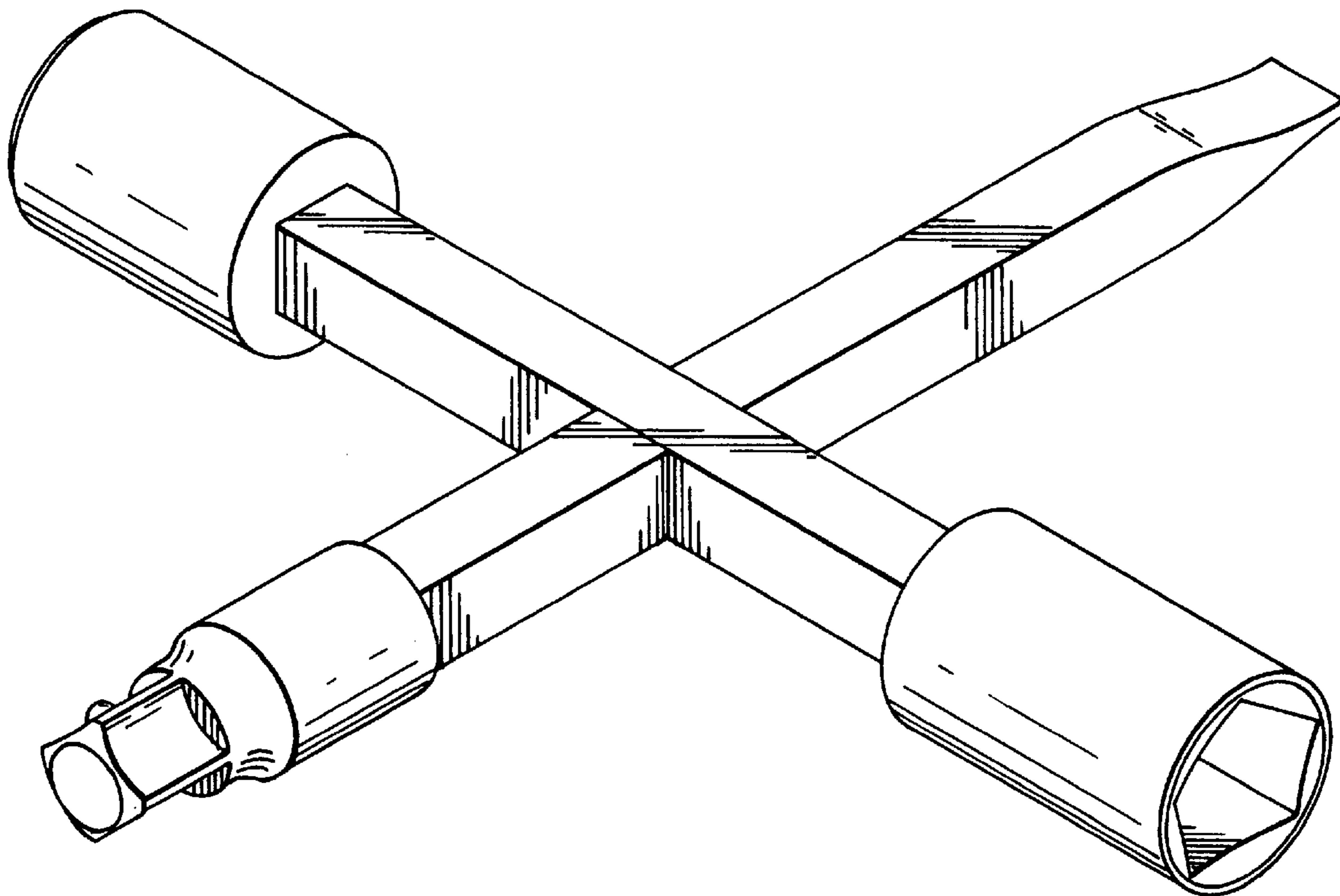


FIG. 1

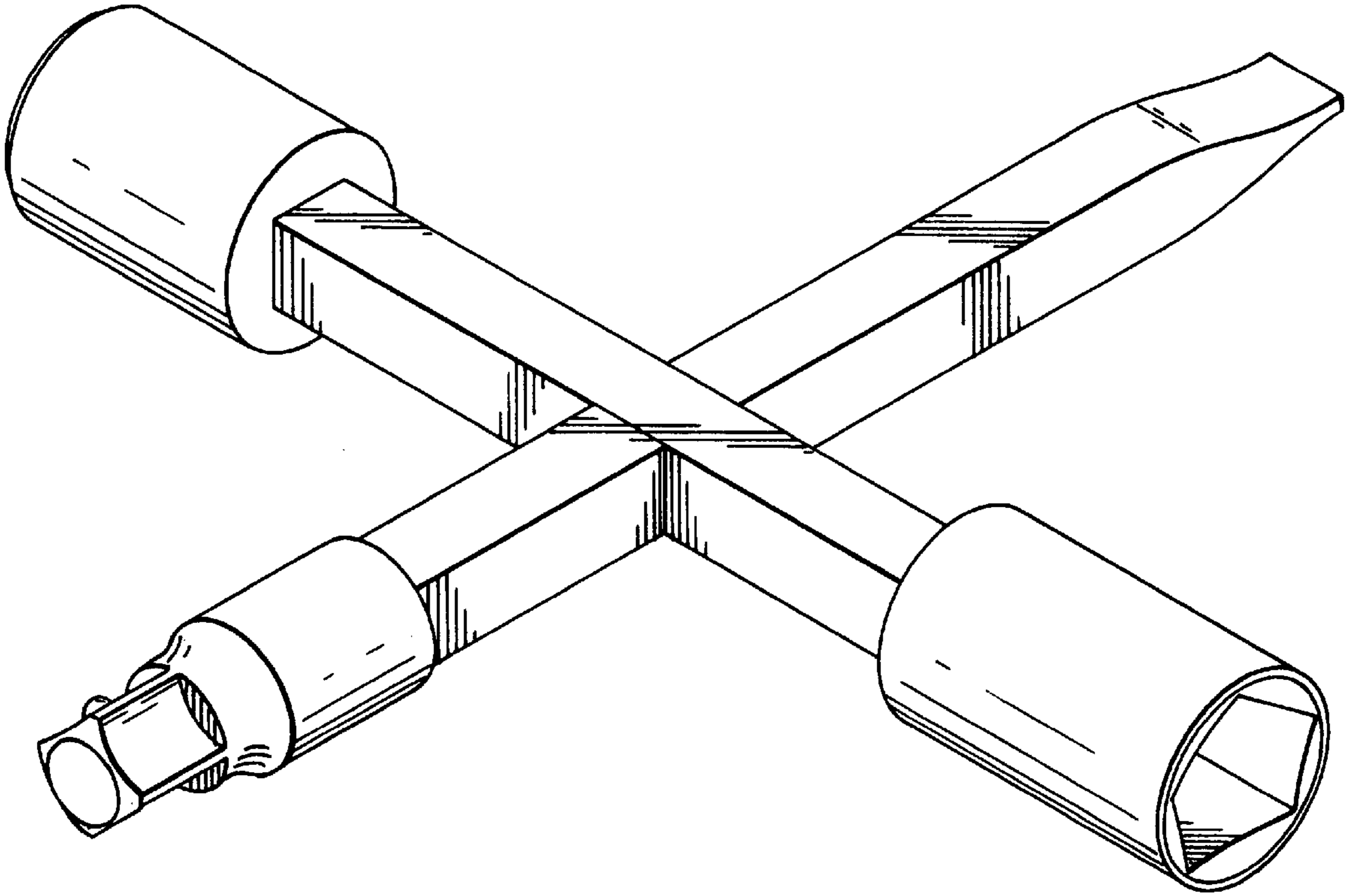


FIG. 2

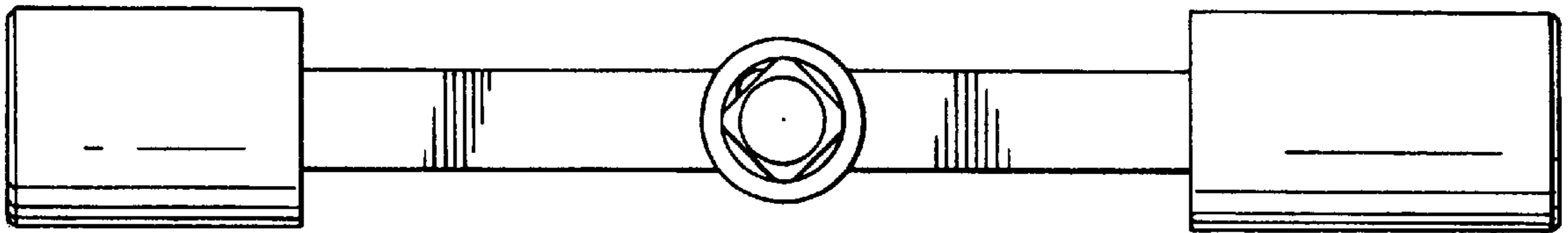


FIG. 3

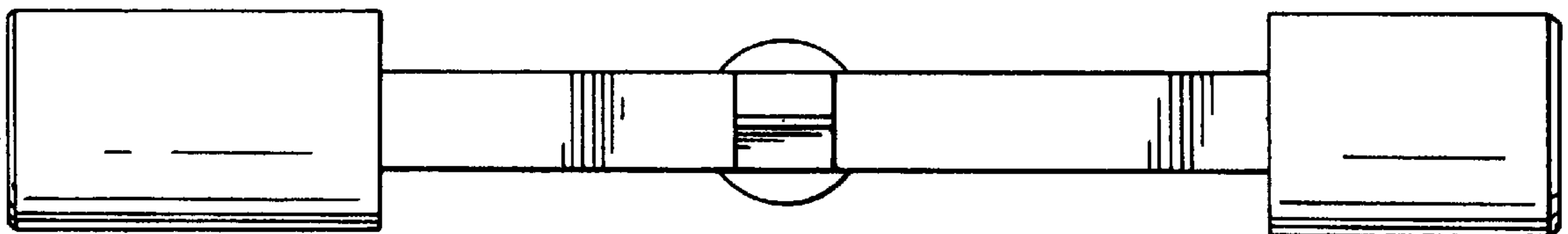


FIG. 4

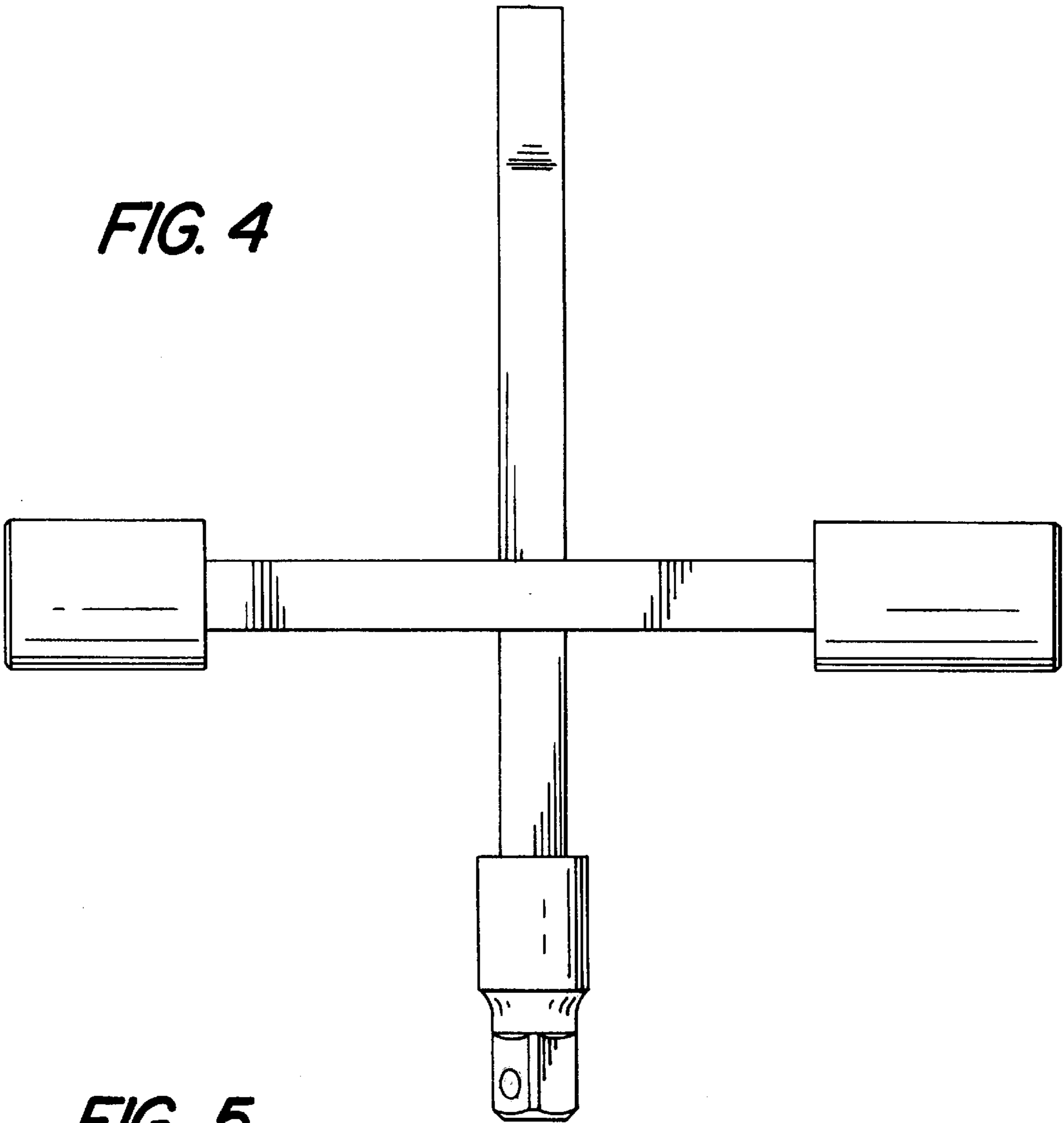


FIG. 5

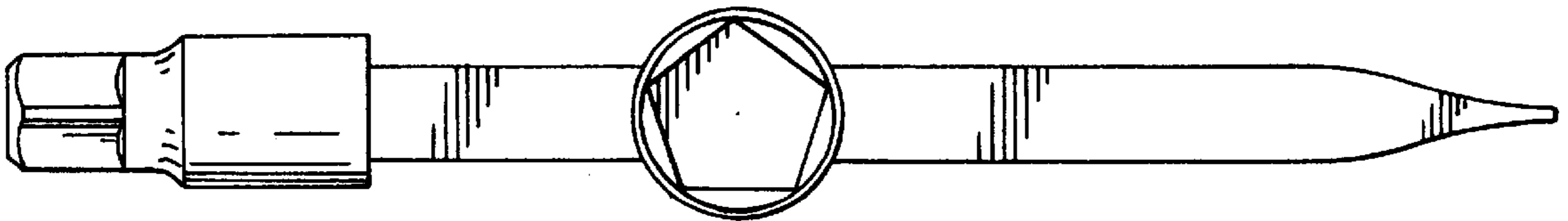


FIG. 6

