



US00D399714S

United States Patent [19]

Grossi et al.

[11] **Patent Number: Des. 399,714**

[45] **Date of Patent: **Oct. 20, 1998**

[54] **BRUSHCUTTING REED HOLDER**

Attorney, Agent, or Firm—John J. Welch, Jr., Esq.

[76] Inventors: **Edward J. Grossi**, 35 Warner Ave.,
Proctor, Vt. 05765; **Jeffrey L. Schultz**,
Box 9005, Ruth Ave., Rutland, Vt.
05701

[57] **CLAIM**

The ornamental design of a brushcutting reed holder, as shown and described.

[**] Term: **14 Years**

DESCRIPTION

[21] Appl. No.: **75,232**

FIG. 1 is a perspective view of a first embodiment of the instant invention;

[22] Filed: **Aug. 15, 1997**

FIG. 2 is a top plan view thereof;

[51] **LOC (6) Cl.** **08-01**

FIG. 3 is a bottom plan view thereof;

[52] **U.S. Cl.** **D8/8**

FIG. 4 is a front plan view thereof;

[58] **Field of Search** D8/349, 354; 56/12.7,
56/295, 16.7, 255, 320.1–320.2; 30/276

FIG. 5 is a rear plan view thereof;

FIG. 6 is a lateral plan view thereof;

FIG. 7 is a perspective view of a second embodiment of the instant invention;

[56] **References Cited**

FIG. 8 is a top plan view thereof;

FIG. 9 is a bottom plan view thereof;

U.S. PATENT DOCUMENTS

4,295,324 10/1981 Frantello et al. 56/12.7

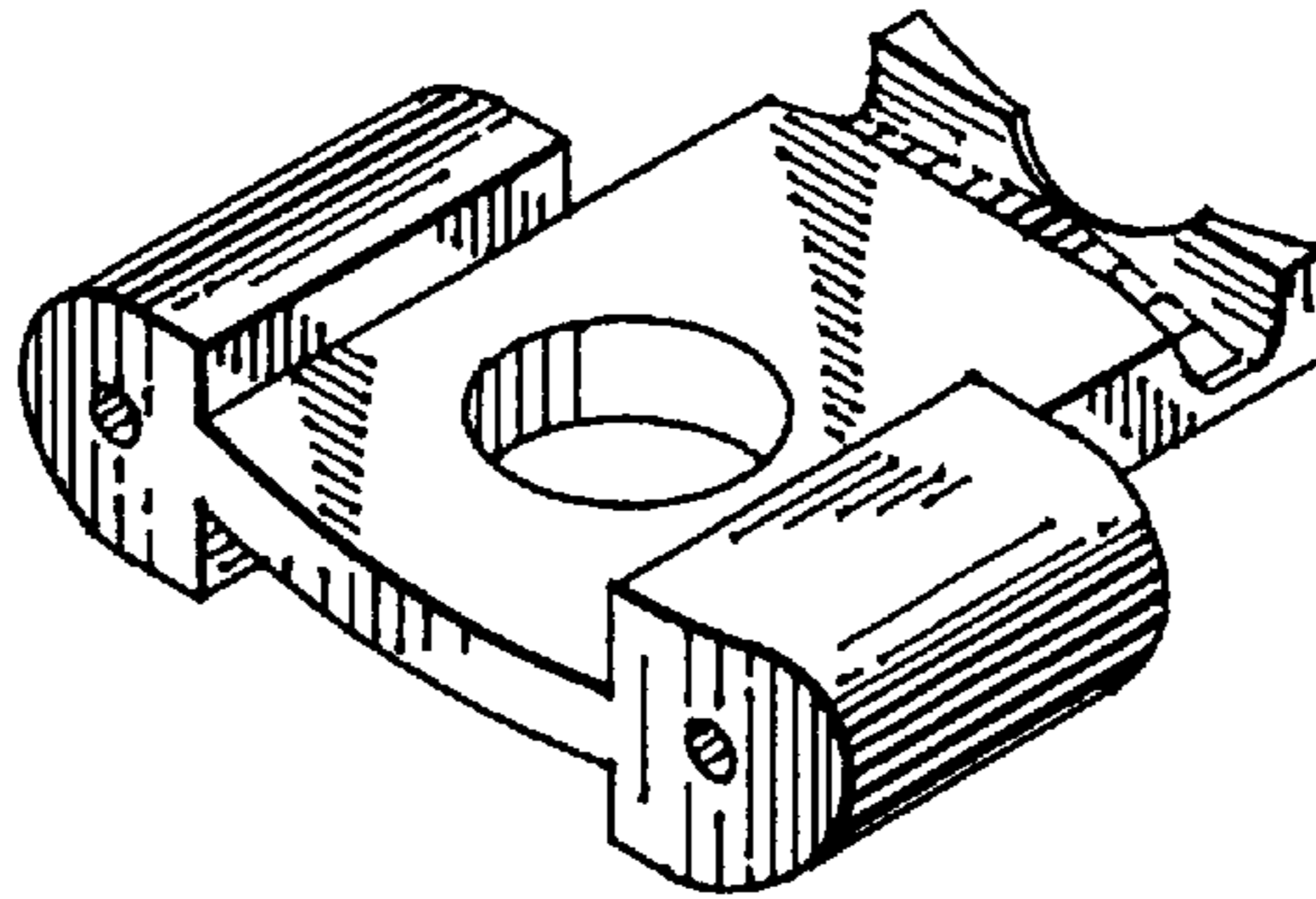
FIG. 10 is a front plan view thereof; and,

4,435,949 3/1984 Heisman 56/17.5 X

FIG. 11 is a rear plan view thereof.

Primary Examiner—Holly Baynham

1 Claim, 2 Drawing Sheets



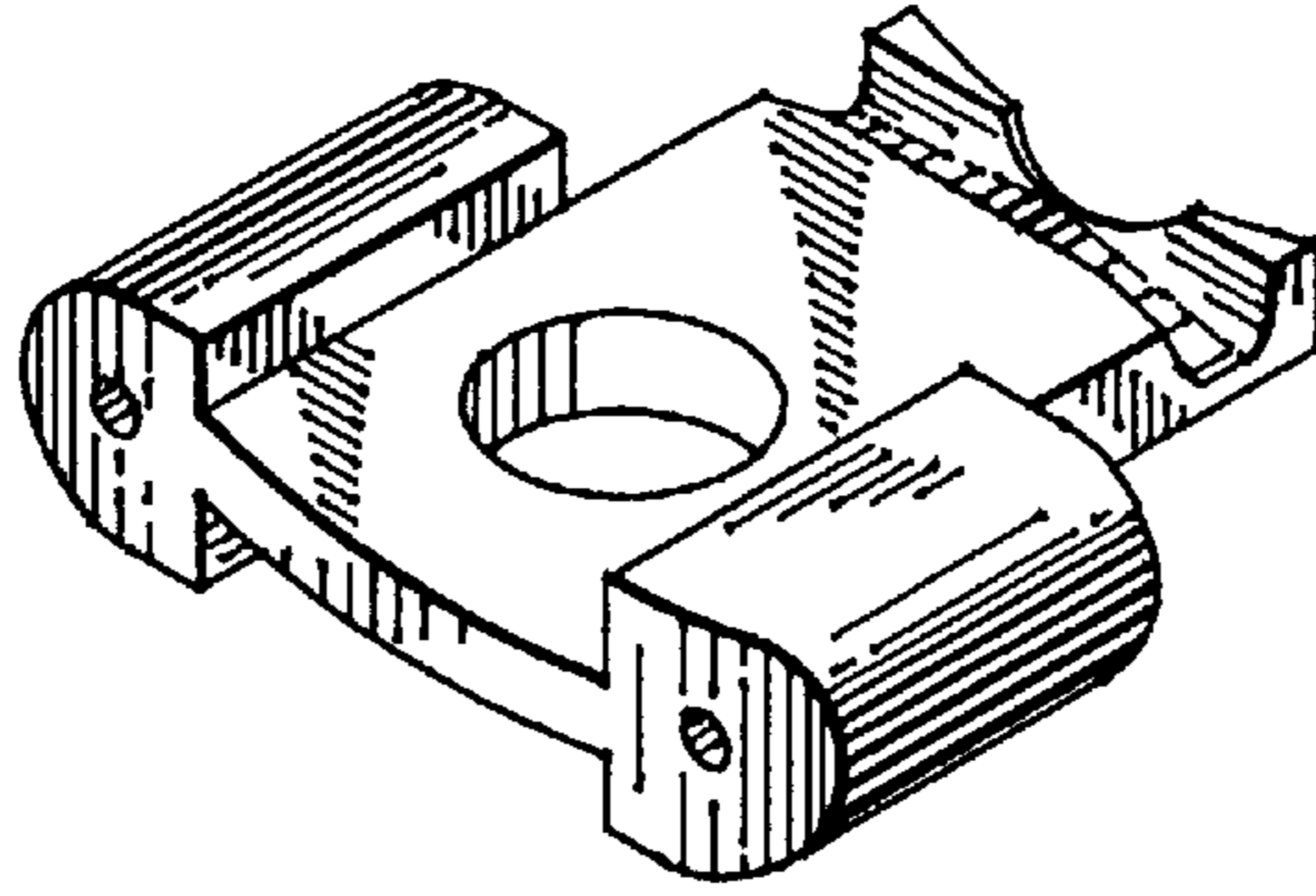


FIG. 1

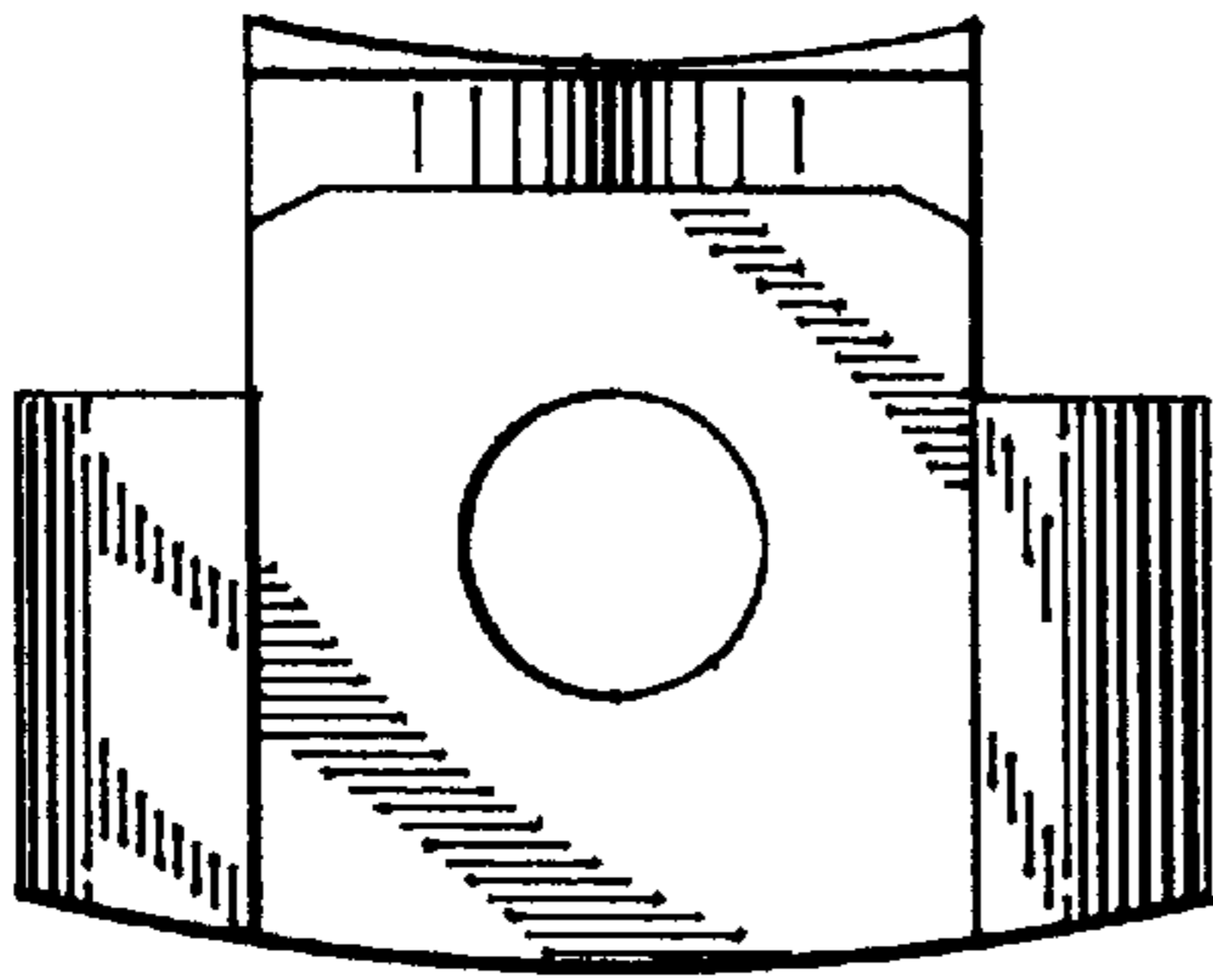


FIG. 2

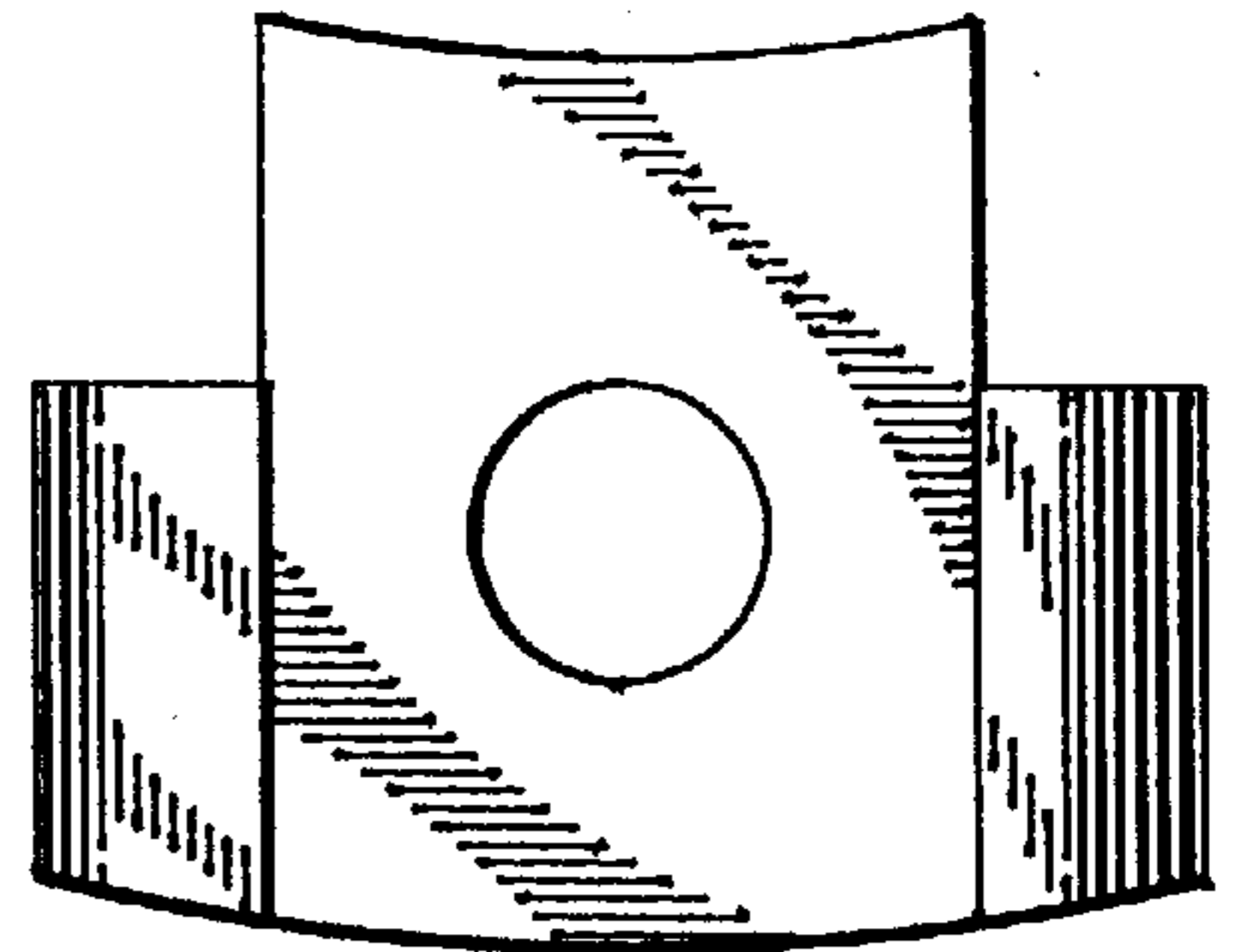


FIG. 3

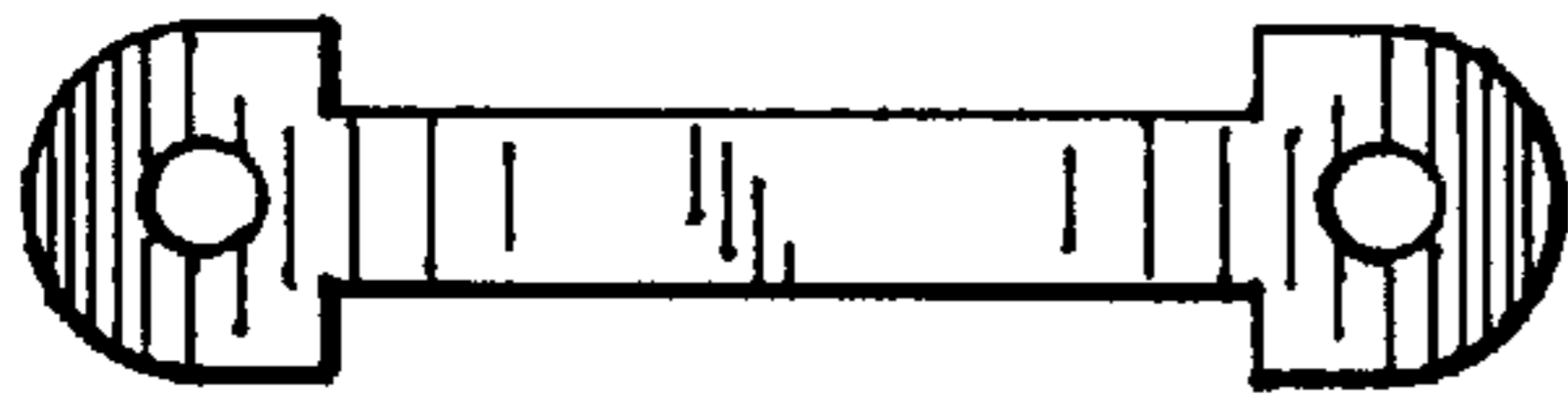


FIG. 4



FIG. 5



FIG. 6

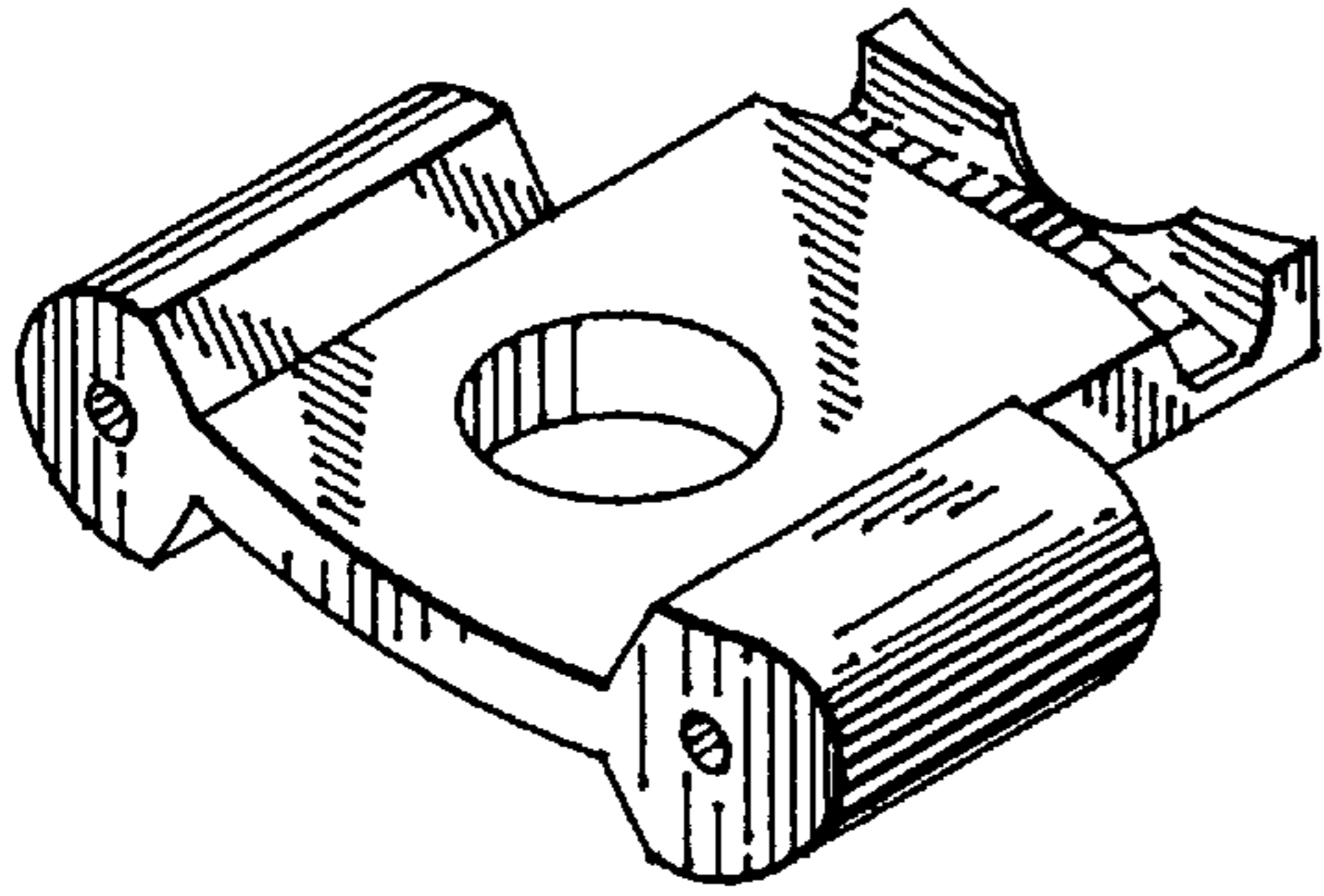


FIG. 7

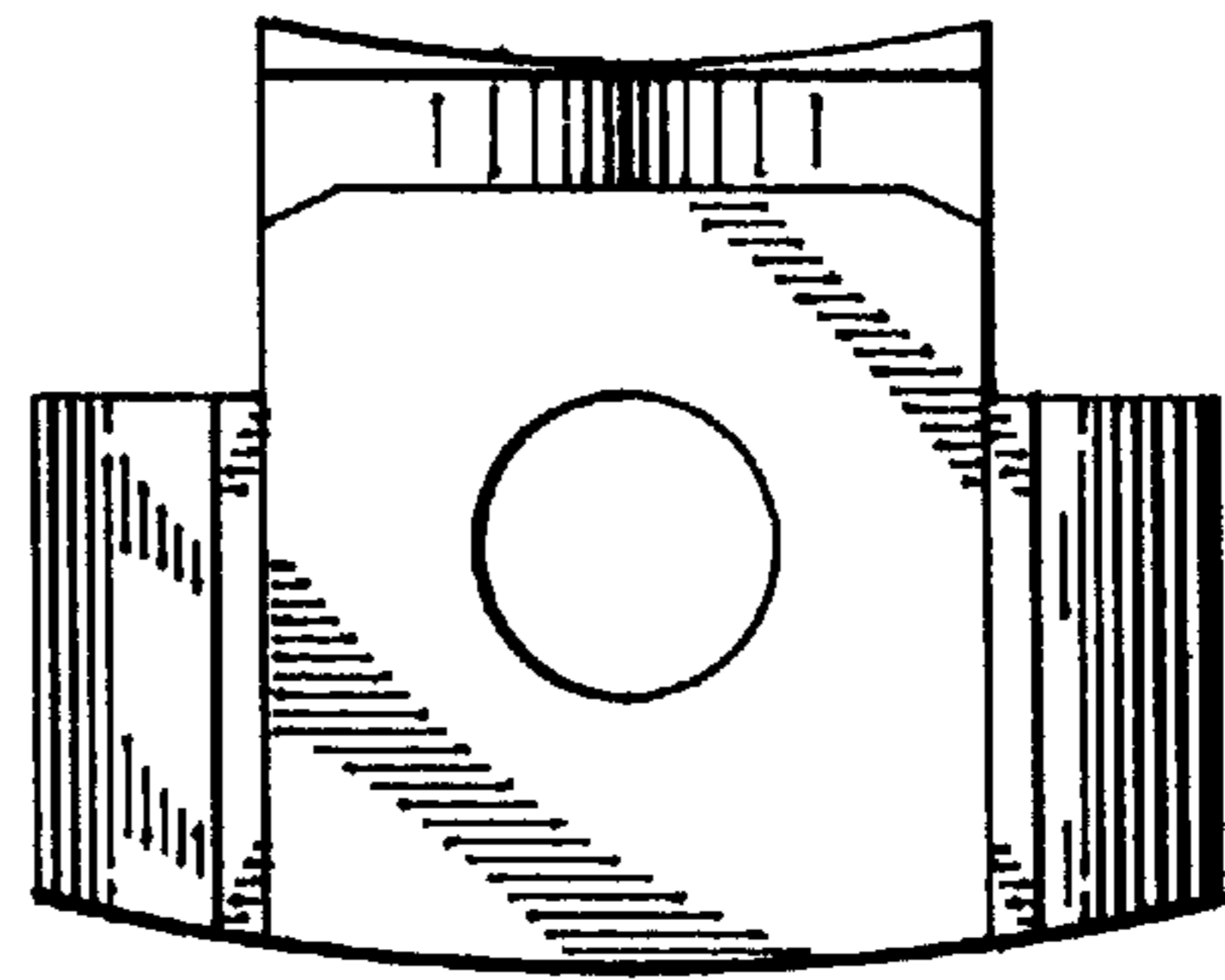


FIG. 8

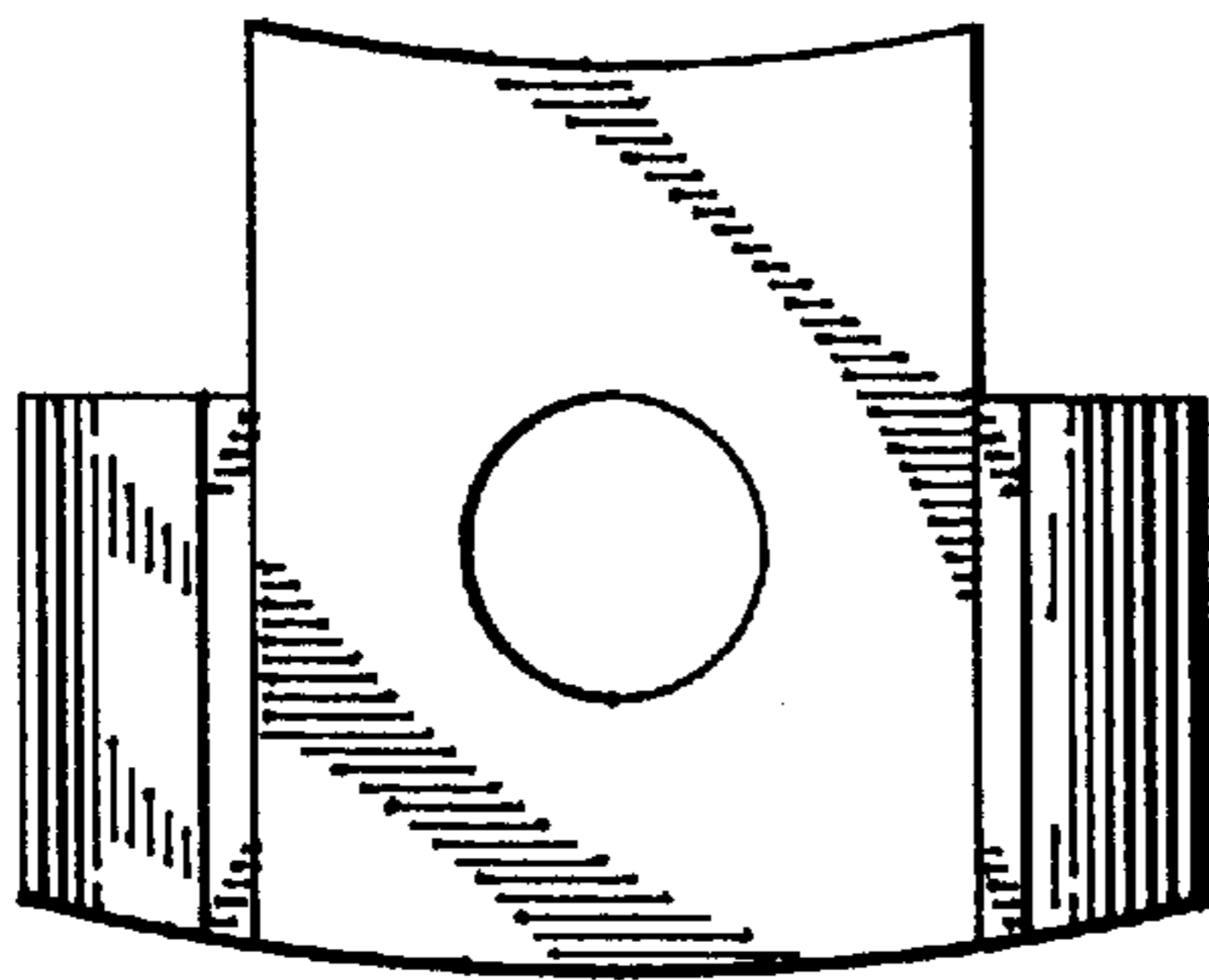


FIG. 9

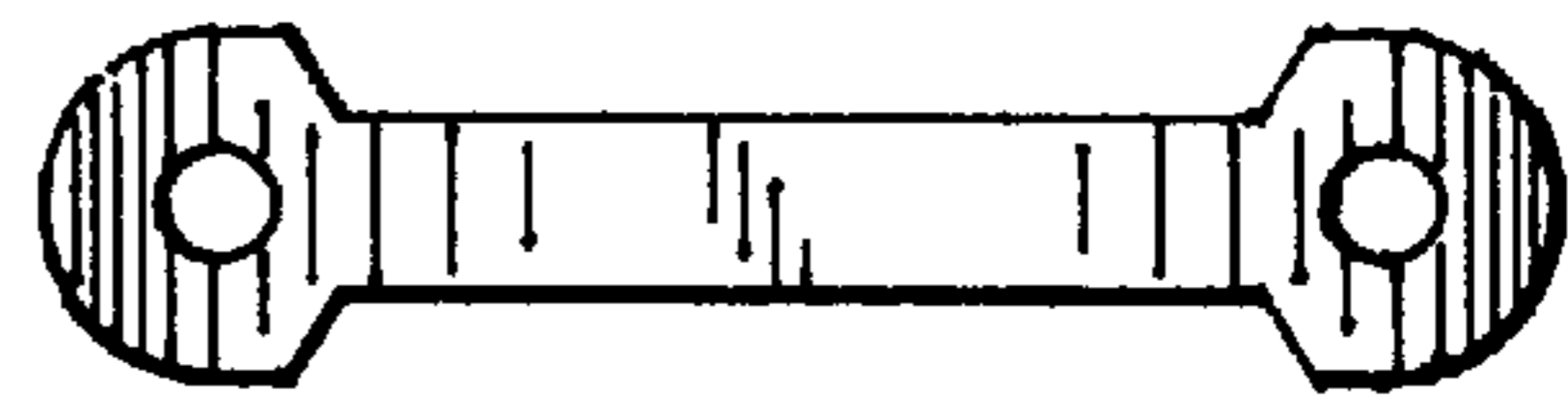


FIG. 10



FIG. 11