



US00D399713S

# United States Patent [19]

Allen et al.

[11] Patent Number: **Des. 399,713**

[45] Date of Patent: **\*\*Oct. 20, 1998**

[54] **FLORA AND FAUNA GUARD**

[75] Inventors: **Gary E. Allen**, Hamburg; **Rich Finiki**, North Tonawanda, both of N.Y.

[73] Assignee: **Eaton Brothers Corporation**, Hamburg, N.Y.

[\*\*] Term: **14 Years**

[21] Appl. No.: **79,691**

[22] Filed: **Nov. 21, 1997**

[51] **LOC (6) Cl.** ..... **08-01**

[52] **U.S. Cl.** ..... **D8/1**

[58] **Field of Search** ..... D8/1; 47/30, 26-29; D11/142

[56] **References Cited**

**U.S. PATENT DOCUMENTS**

D. 33,787	12/1900	Meiners	47/30
D. 263,366	3/1982	Strenger et al.	D8/1
D. 276,898	12/1984	Strenger et al.	D11/145
D. 298,904	12/1988	Mourich et al.	D8/1
D. 366,401	1/1996	Smith	D8/1
436,329	9/1890	Bass	47/26
1,238,142	8/1917	Hitchcock	47/26
1,690,716	11/1928	Briabois	.
1,704,801	3/1929	Miller	.
2,062,789	12/1936	Keller	47/30

2,141,484	12/1938	Piglia	47/28
2,913,161	11/1959	Travis	229/22
3,226,881	1/1966	Garrett	47/30
4,018,003	4/1977	Mirecki	47/26
4,330,059	5/1982	Freeman	206/423
5,029,708	7/1991	Alonso et al.	206/423

*Primary Examiner*—Holly Baynham  
*Attorney, Agent, or Firm*—Hodgson, Russ, Andrews, Woods & Goodyear

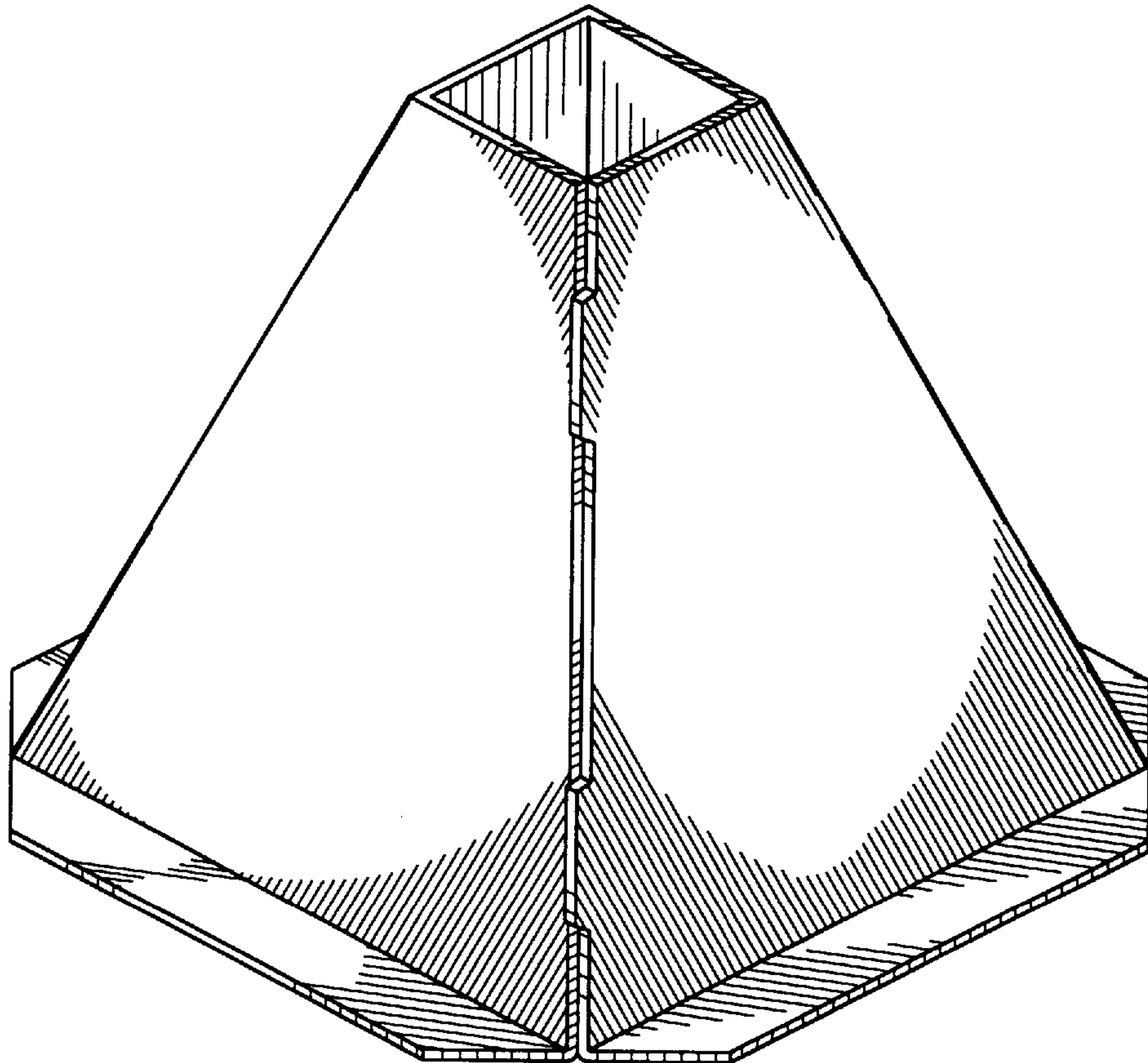
[57] **CLAIM**

The ornamental design for a flora and fauna guard, as shown and described.

**DESCRIPTION**

FIG. 1 is a perspective view of a flora and fauna guard showing my new design;  
FIG. 2 is an inverted perspective view thereof;  
FIG. 3 is a side elevational view thereof;  
FIG. 4 is a side elevational view thereof rotated by 90° from the position shown in FIG. 3;  
FIG. 5 is a side elevational view thereof rotated by 180° from the position shown in FIG. 3;  
FIG. 6 is a side elevational view thereof rotated by 270° from the position shown in FIG. 3;  
FIG. 7 is a top plan view thereof; and,  
FIG. 8 is a bottom plan view thereof.

**1 Claim, 2 Drawing Sheets**



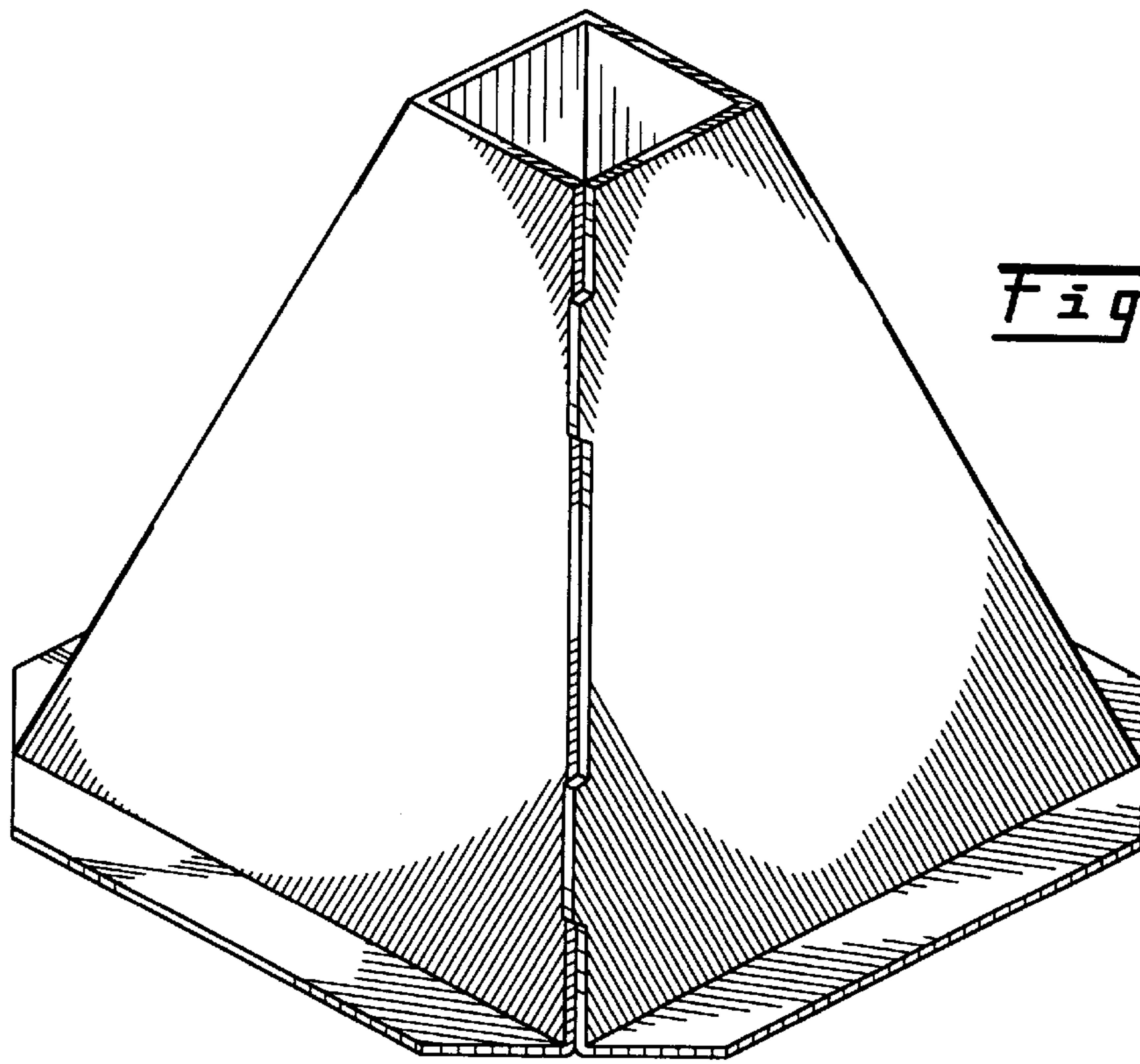


Fig- 1

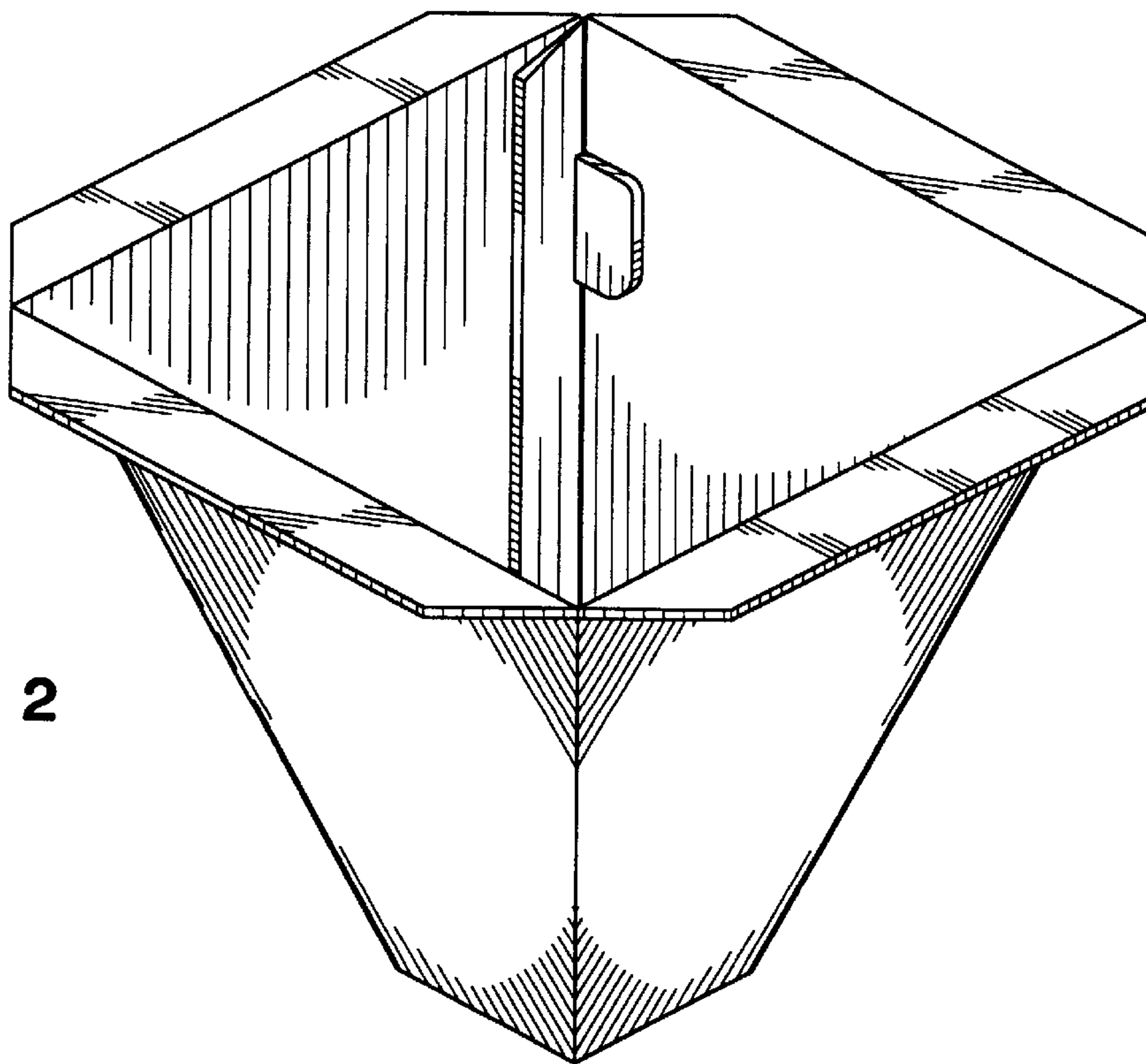


Fig- 2



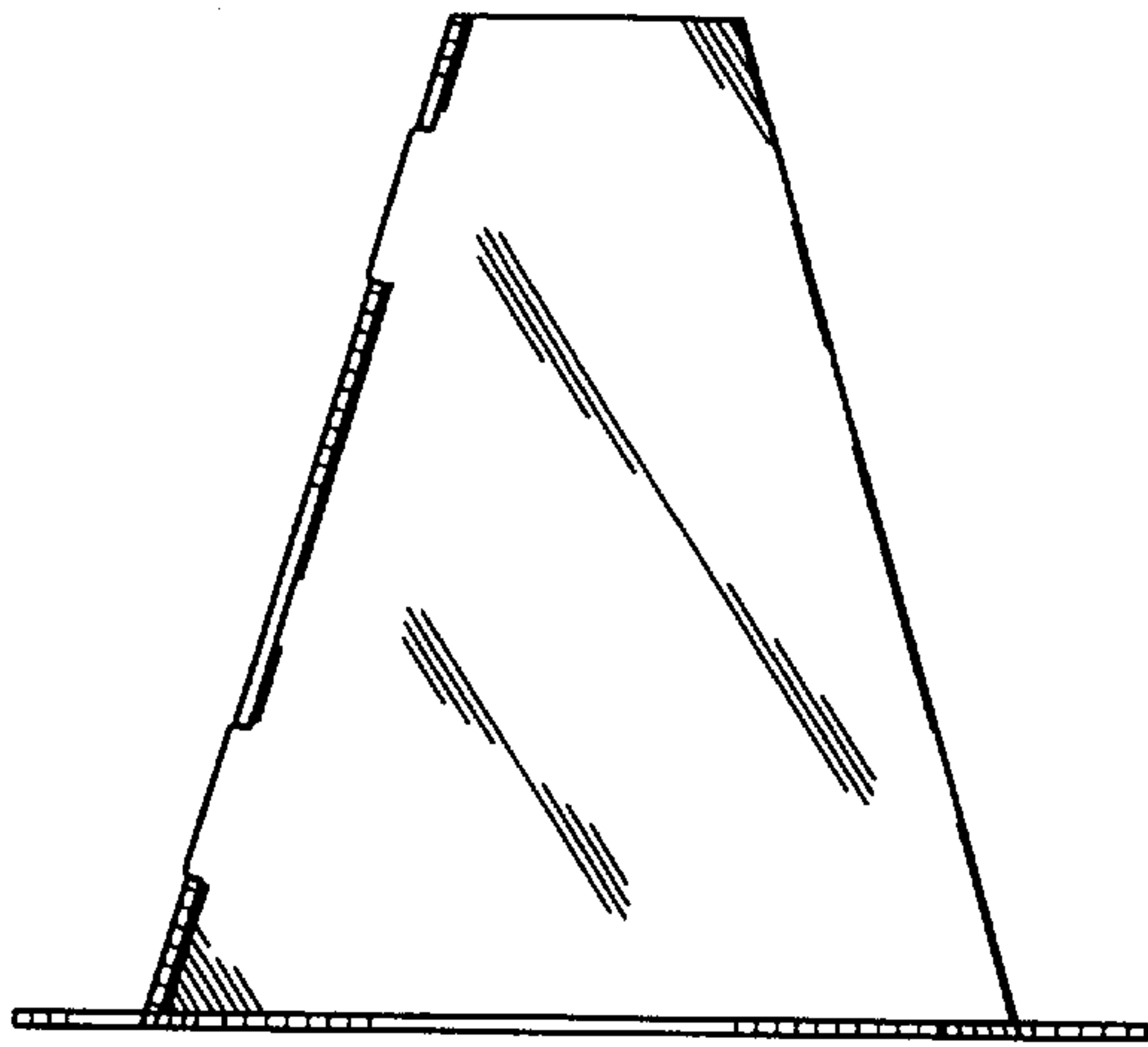


Fig-3

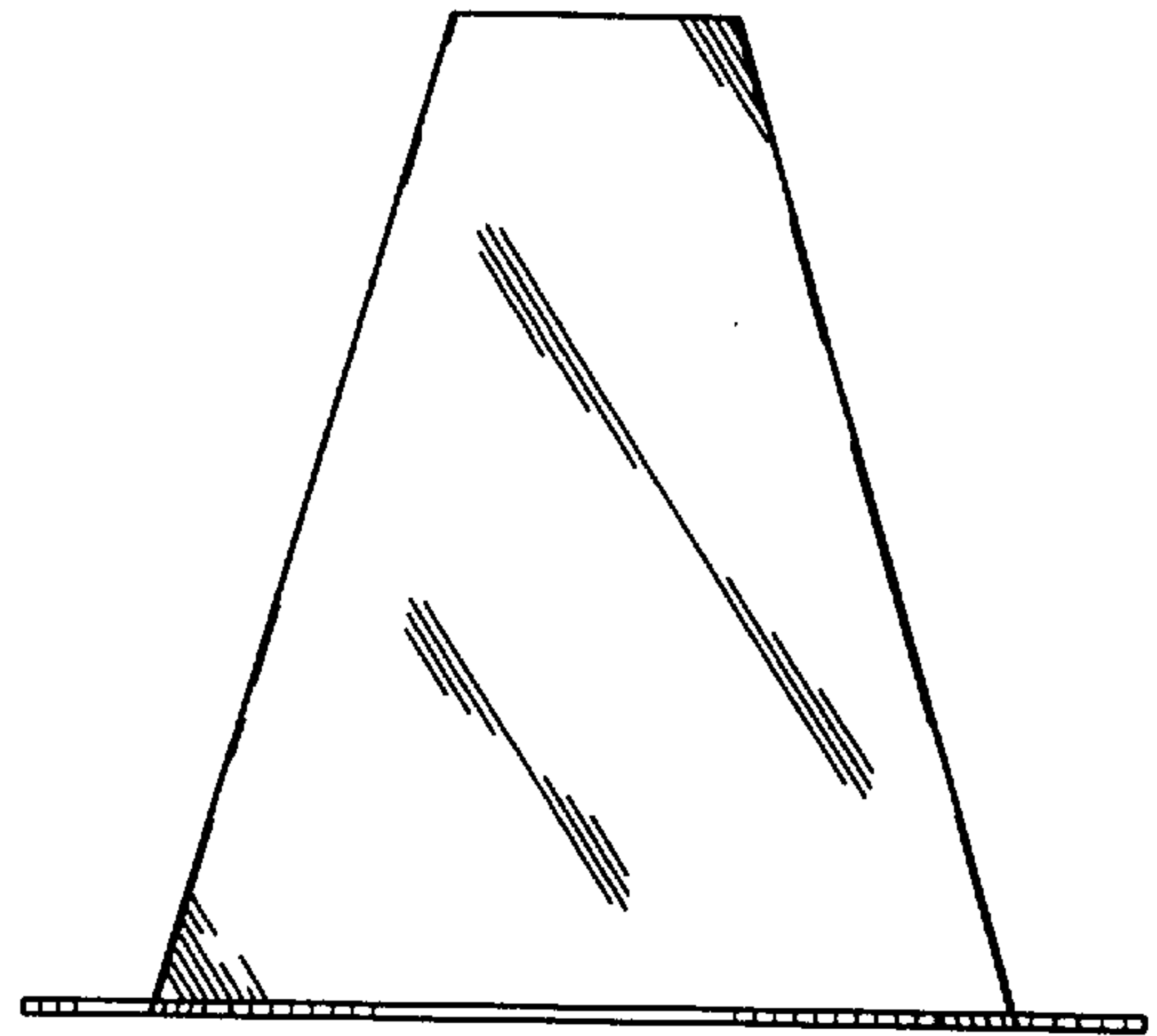


Fig-4

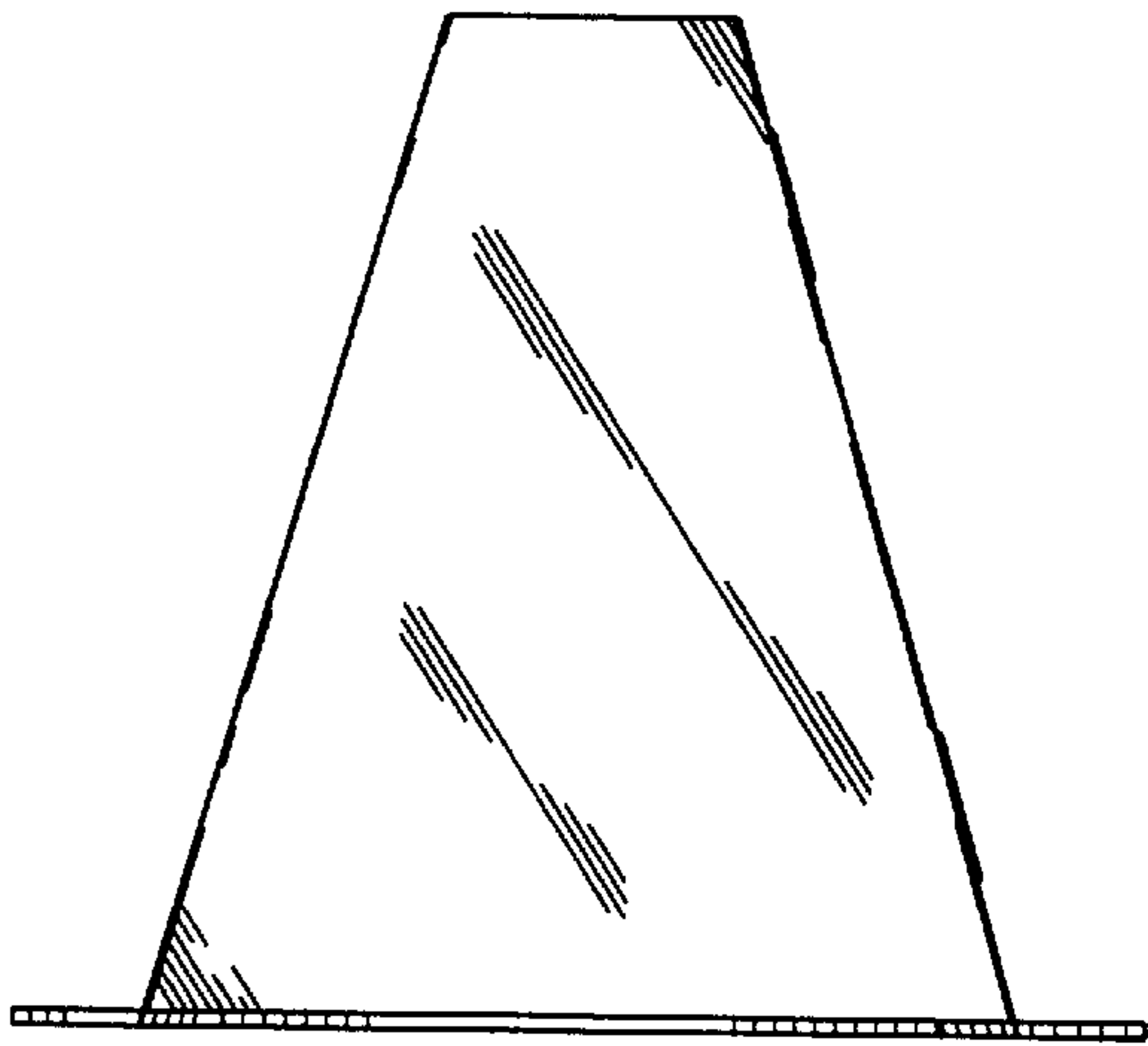


Fig-5

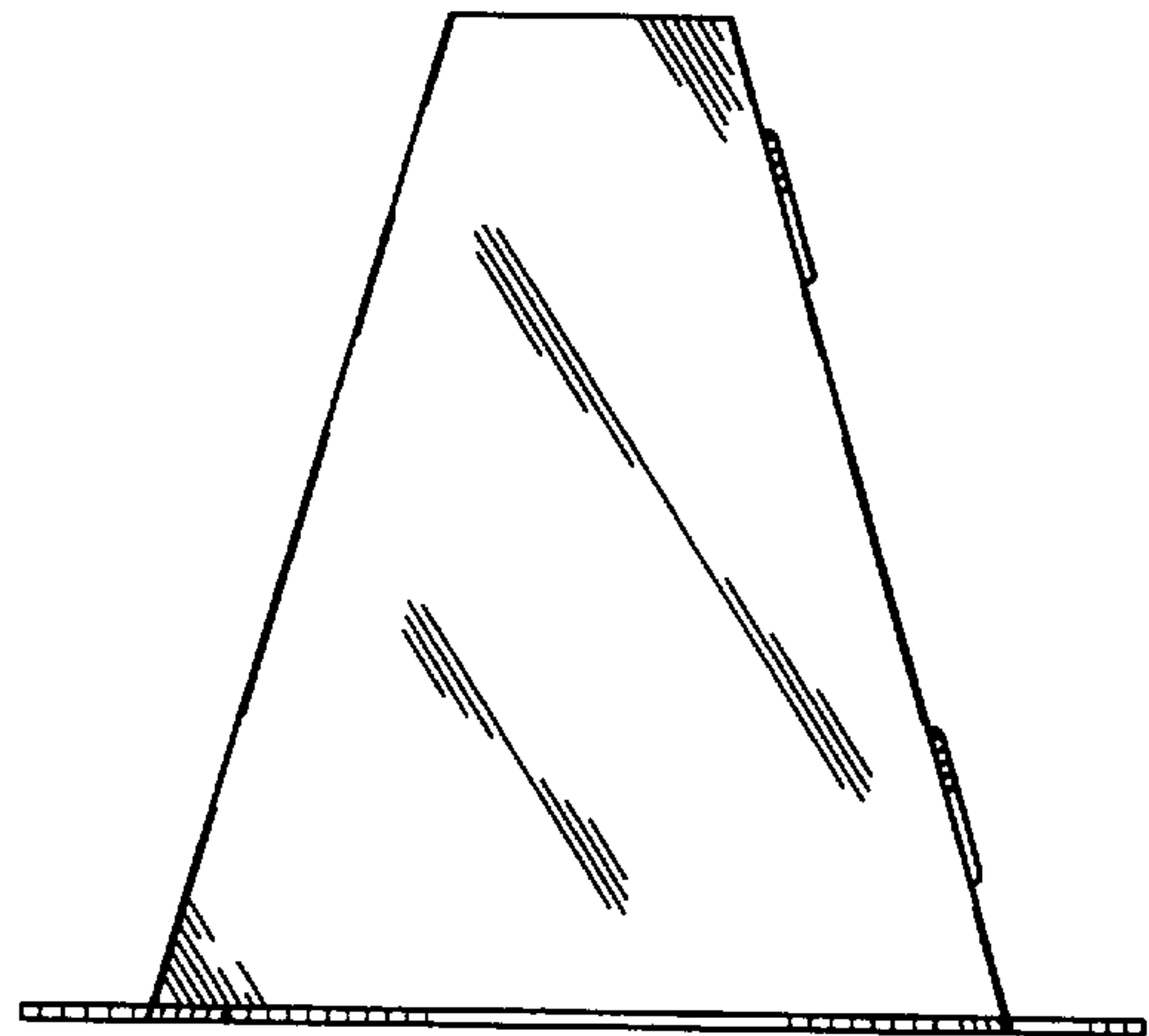


Fig-6

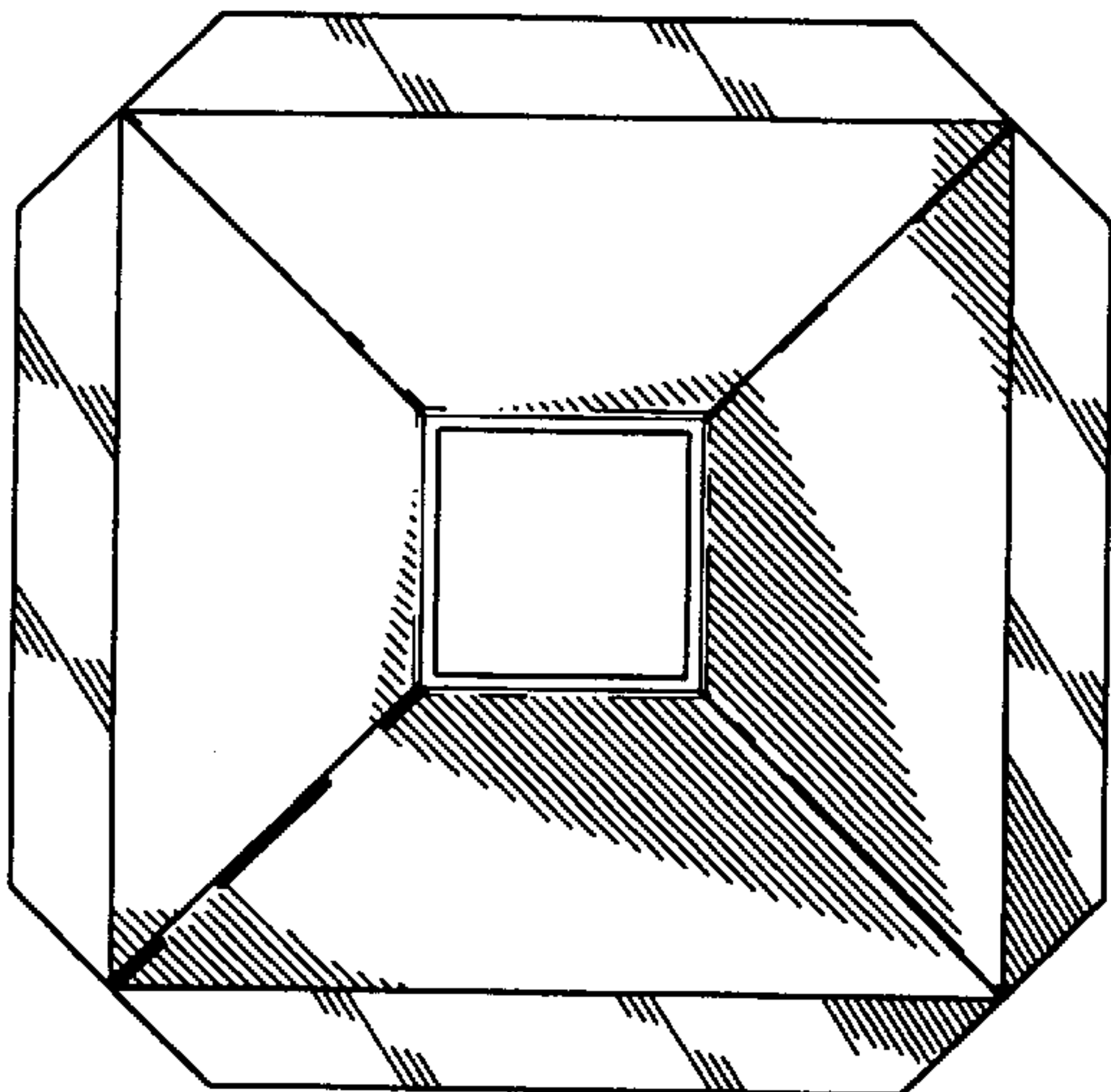


Fig-7

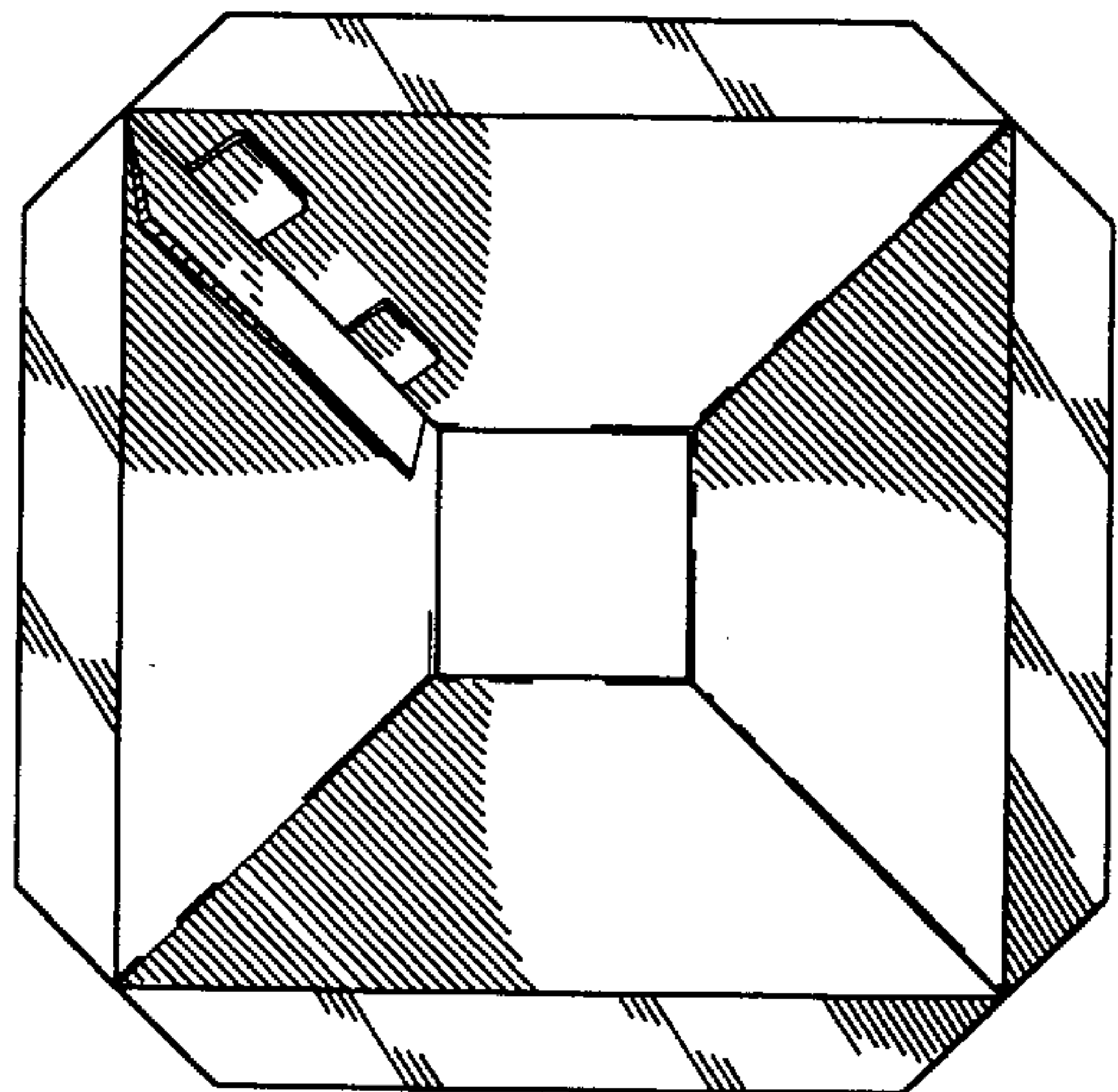


Fig-8