



US00D399712S

# United States Patent [19]

Villella

[11] Patent Number: **Des. 399,712**

[45] Date of Patent: **\*\*Oct. 20, 1998**

[54] **TREE WATERER**

[76] Inventor: **Larry Jason Villella**, 3702 15th St.  
South, Fargo, N. Dak. 58104

[\*\*] Term: **14 Years**

[21] Appl. No.: **948,844**

[22] Filed: **Sep. 16, 1992**

[51] **LOC (6) Cl.** ..... **08-01**

[52] **U.S. Cl.** ..... **D8/1**

[58] **Field of Search** ..... D23/213-22; D8/1,  
D8/2; 239/200-6, 230-3, 273, 275.6, 288,  
288.3, 288.5, 567, DIG. 1

[56] **References Cited**

**U.S. PATENT DOCUMENTS**

D. 278,075	3/1985	Dryden	.....	D8/1
D. 303,913	10/1989	Leap	.....	D8/1
D. 318,403	7/1991	Leap	.....	D8/1
D. 353,435	12/1994	Bartley	.....	D23/200
D. 383,650	9/1997	Pieri	.....	D8/1
1,223,276	4/1917	Haney	.	
2,909,328	10/1959	Babyak	.	
3,185,397	5/1965	Nelson	.....	239/567 X
3,322,347	5/1967	Pierce	.....	239/567 X

3,921,914	11/1975	Hatt	.....	239/567
4,010,898	3/1977	Williams	.....	239/11
4,087,938	5/1978	Koch	.....	239/200 X
4,778,111	10/1988	Leap	.....	239/567 X
5,285,968	2/1994	McSheehy	.....	239/273

*Primary Examiner*—M. H. Tung  
*Attorney, Agent, or Firm*—Larry M. Jennings

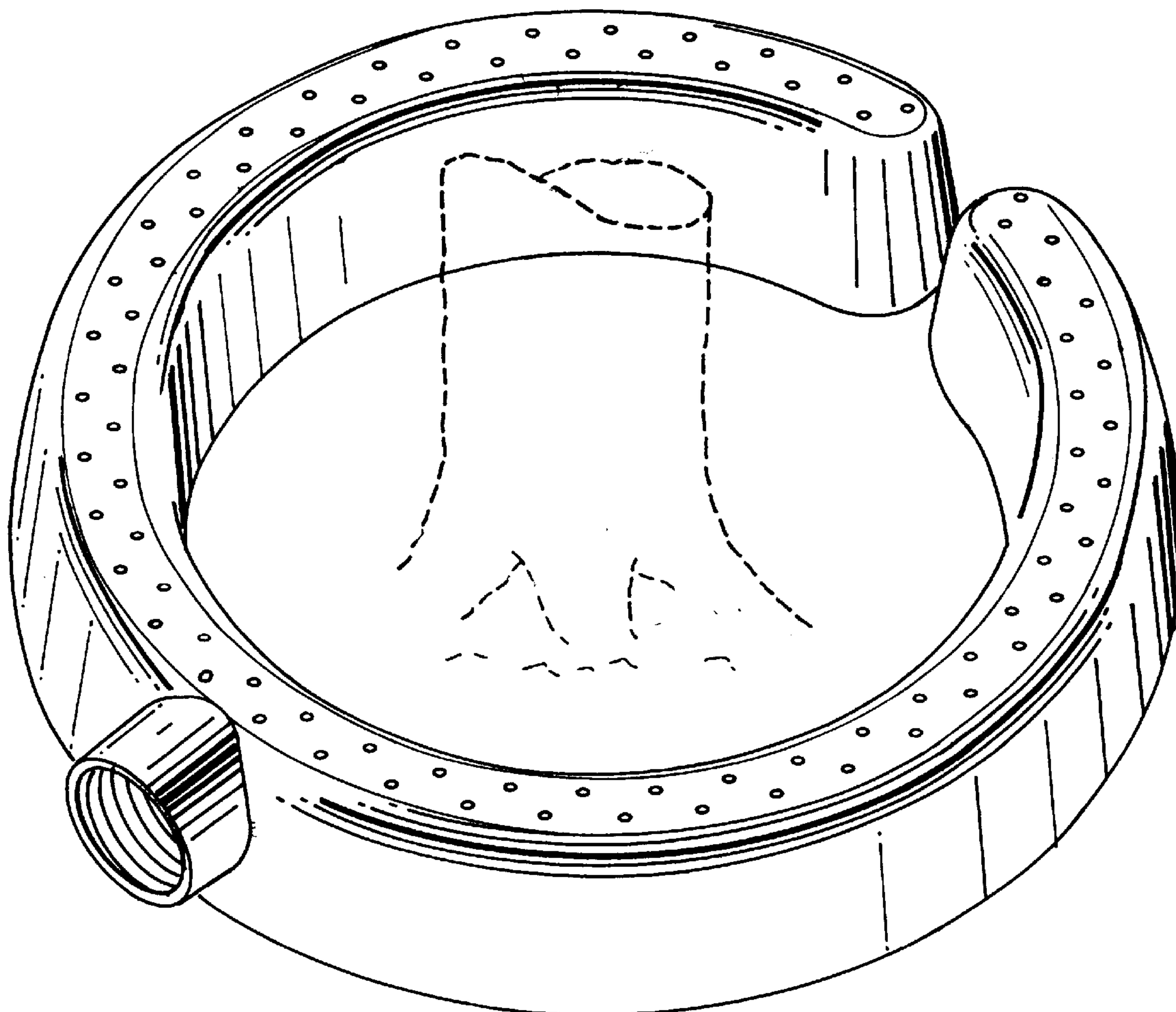
[57] **CLAIM**

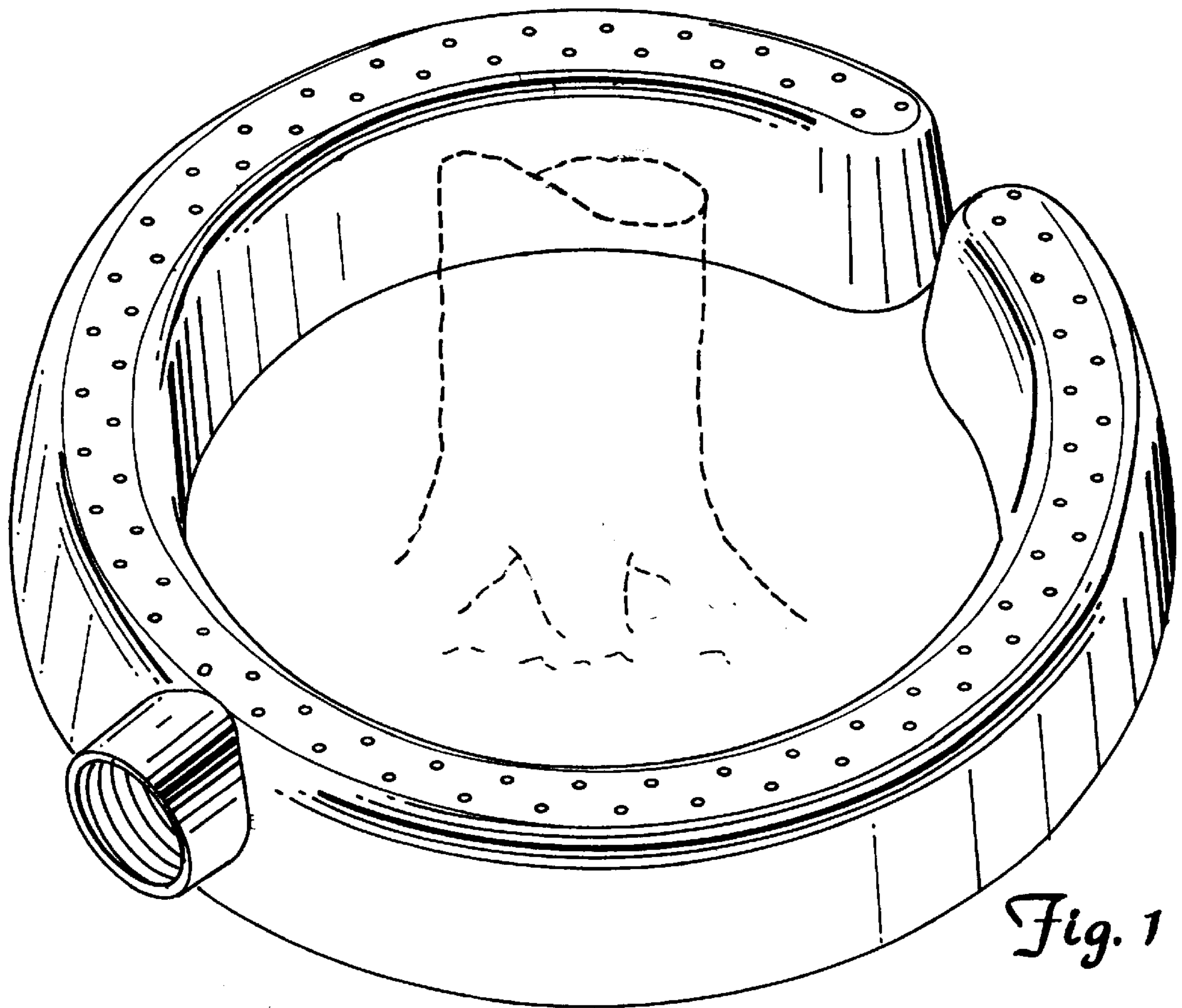
The ornamental design for a tree waterer, as shown and described.

**DESCRIPTION**

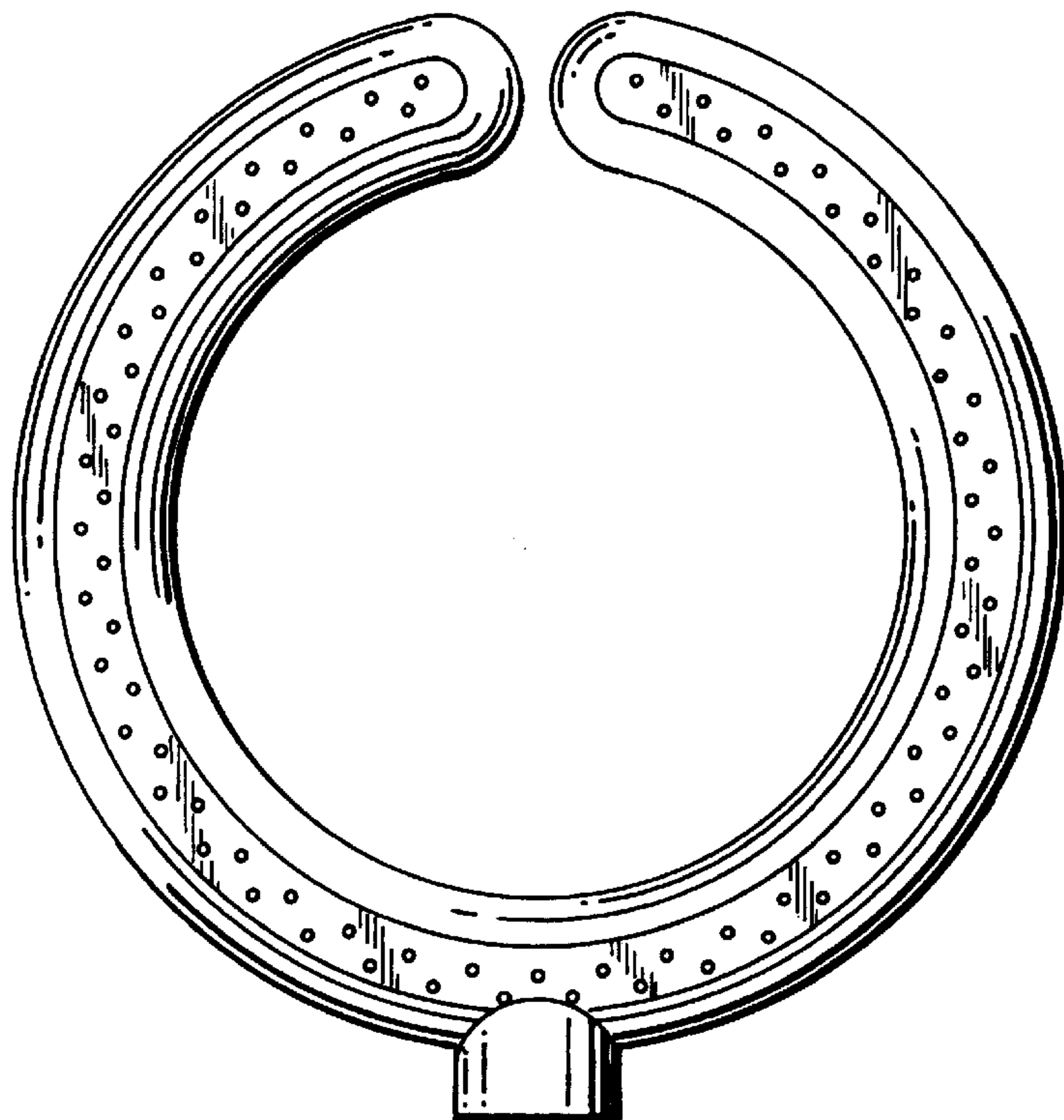
FIG. 1 is a top perspective view of a tree waterer showing my new design, on an enlarged scale, the drawing of a portion of a tree is for illustrative purposes only and forms no part of the claimed design;  
FIG. 2 is a top plan view thereof;  
FIG. 3 is a bottom plan view thereof;  
FIG. 4 is a left side elevational view thereof, the right side being a mirror image of the left side shown;  
FIG. 5 is a front elevational view thereof; and,  
FIG. 6 is a back elevational view thereof.  
The broken line drawing of a tree in FIG. 1 is for illustrative purposes only and forms no part of the claimed design.

**1 Claim, 2 Drawing Sheets**

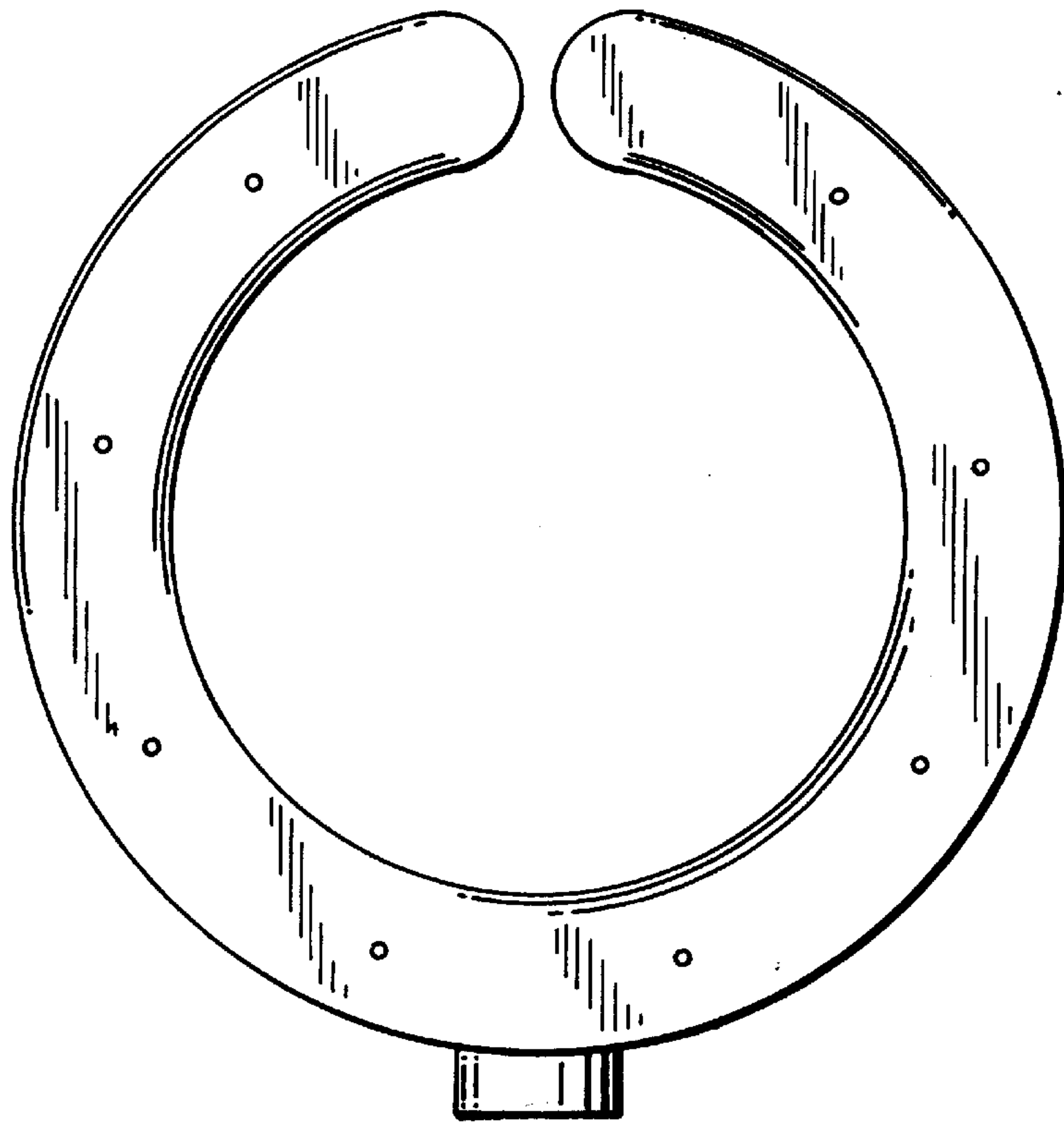




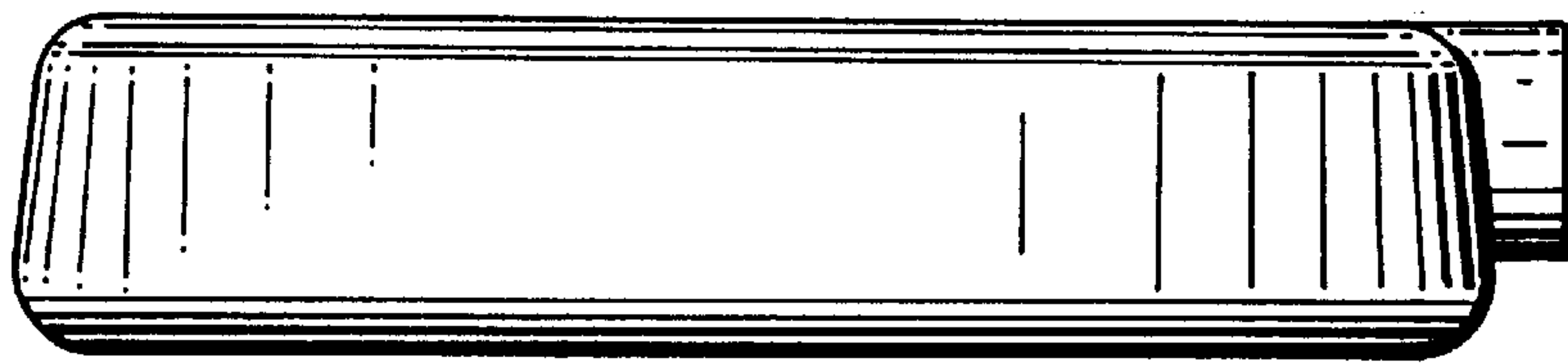
*Fig. 1*



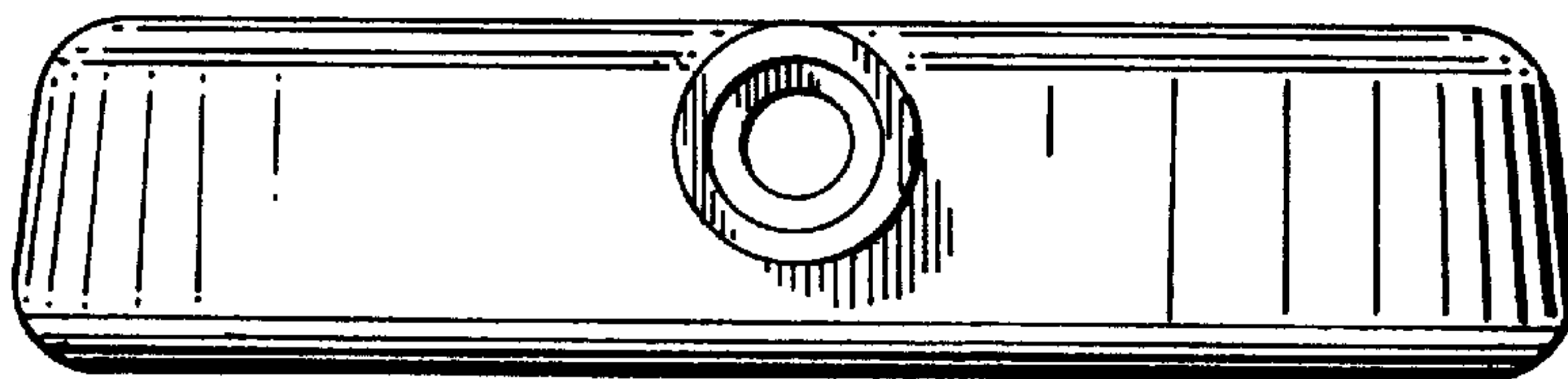
*Fig. 2*



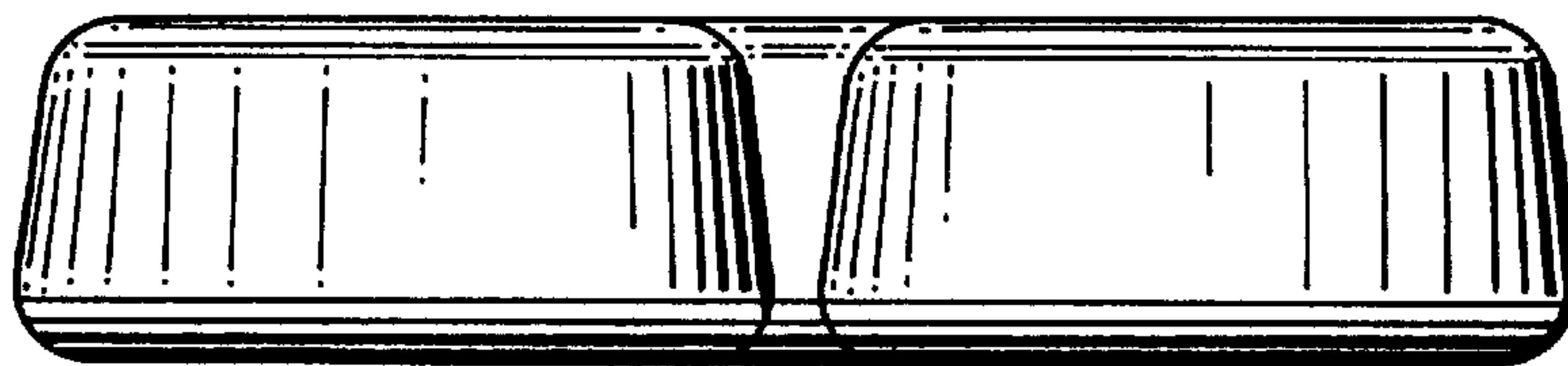
*Fig. 3*



*Fig. 4*



*Fig. 5*



*Fig. 6*