



US00D399709S

**United States Patent** [19]  
**Lee**

[11] **Patent Number: Des. 399,709**

[45] **Date of Patent: \*\*Oct. 20, 1998**

[54] **HAND-OPERATED JUICER**

5,088,392 2/1992 Ancona et al. .... 99/505 X

[76] Inventor: **Jeff Lee**, No. 280, Yen-Ho St.,  
Yung-Kang City, Tainan Hsien, Taiwan

*Primary Examiner*—Terry A. Wallace  
*Attorney, Agent, or Firm*—Nixon & Vanderhye

[\*\*] Term: **14 Years**

[57] **CLAIM**

[21] Appl. No.: **80,624**

The ornamental design for hand-operated juicer, as shown and described.

[22] Filed: **Dec. 11, 1997**

**DESCRIPTION**

[51] **LOC (6) Cl.** ..... **07-04**

FIG. 1 is a perspective view of hand-operated juicer showing my new design;

[52] **U.S. Cl.** ..... **D7/665**

FIG. 2 is a front elevational view thereof;

[58] **Field of Search** ..... D7/665, 666, 678;

FIG. 3 is a rear elevational view thereof;

99/501-508; 241/100

FIG. 4 is a left side elevational view thereof;

FIG. 5 is a right side elevational view thereof;

FIG. 6 is a top plan view thereof; and,

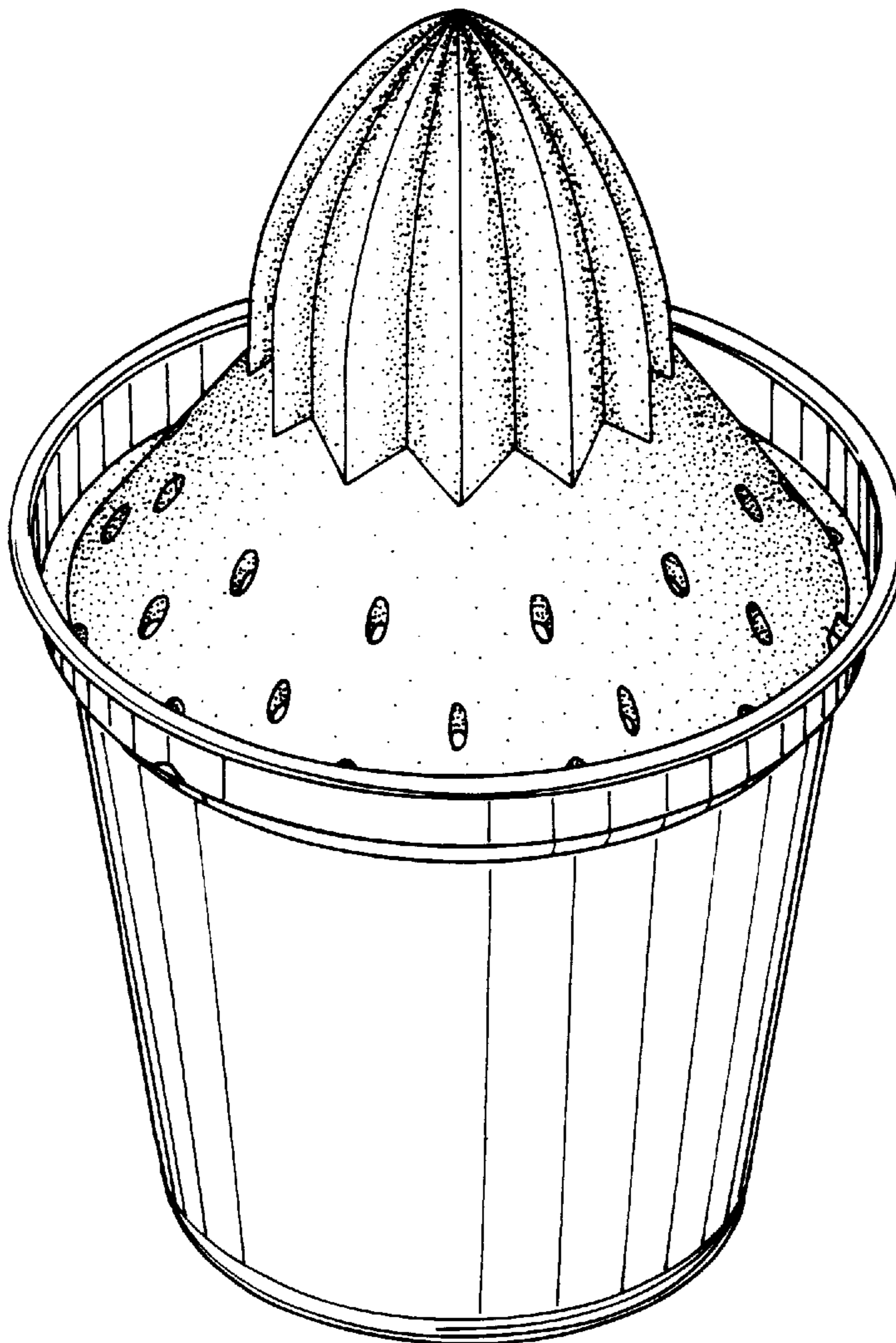
FIG. 7 is a bottom plan view thereof.

[56] **References Cited**

**U.S. PATENT DOCUMENTS**

1,517,339	12/1924	Brown	.....	D7/665	X
2,212,328	8/1940	Scurlock	.....	D7/665	X
3,159,193	12/1964	Cabell	.....	D7/665	X

**1 Claim, 4 Drawing Sheets**



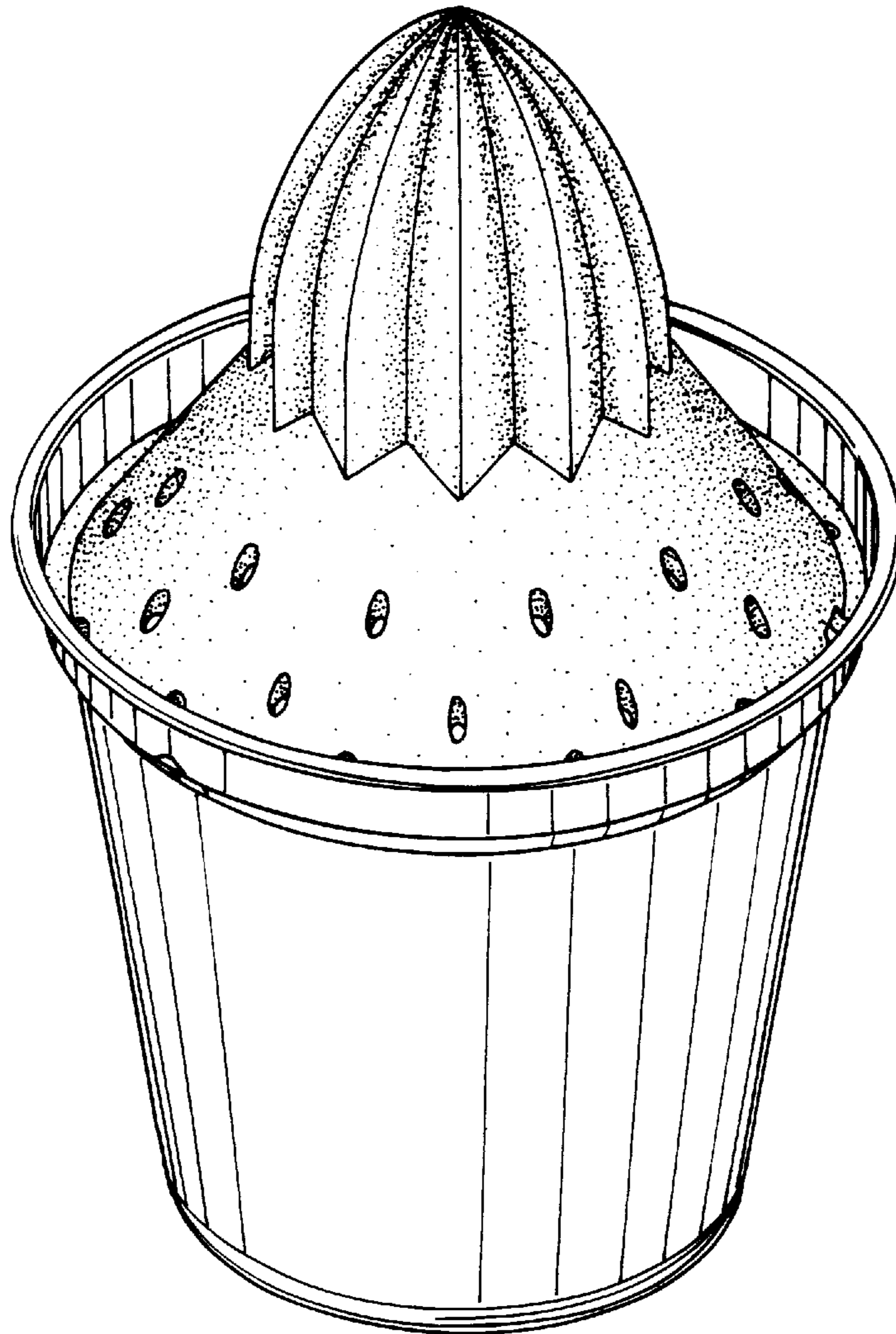


FIG.1

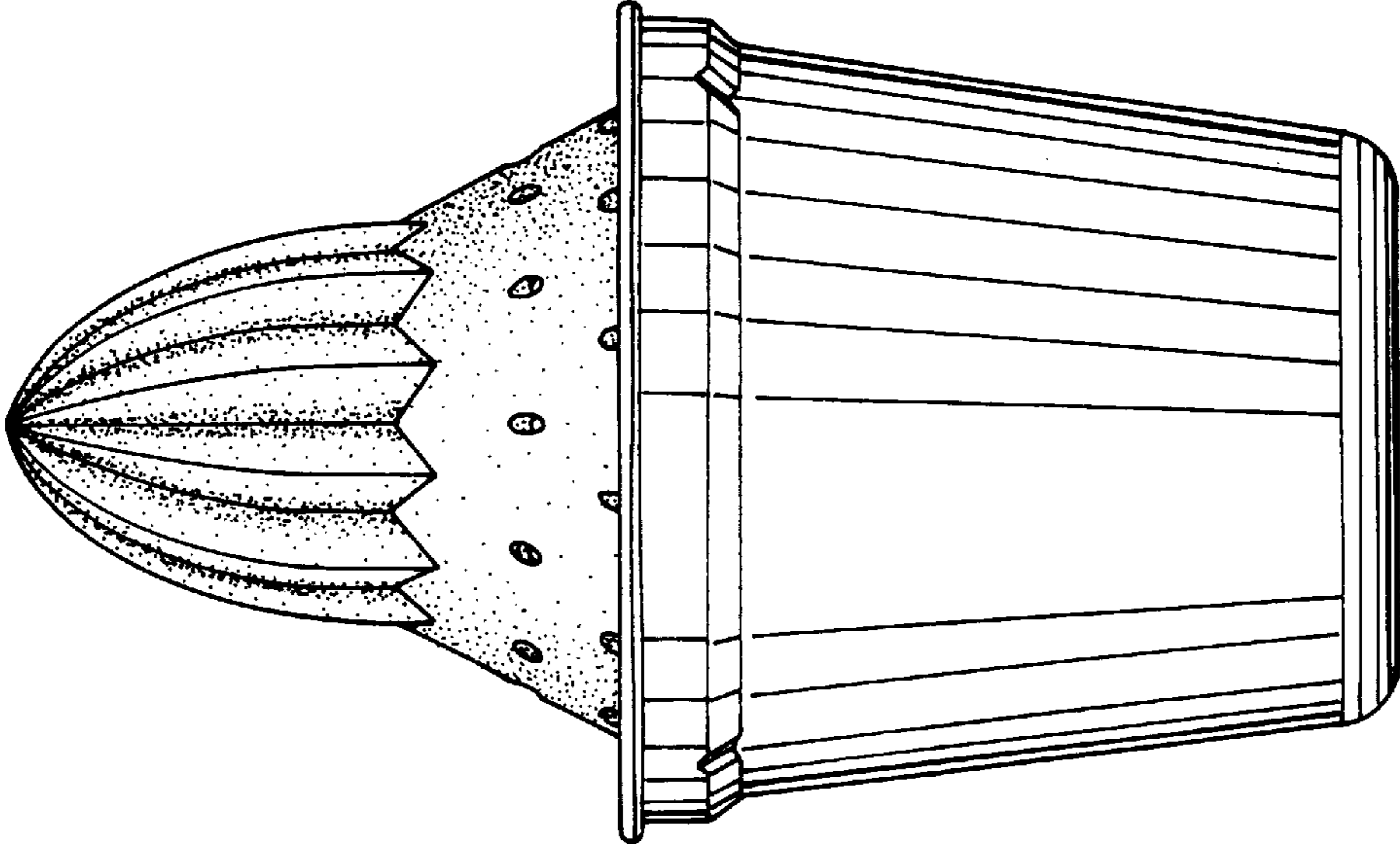


FIG. 3

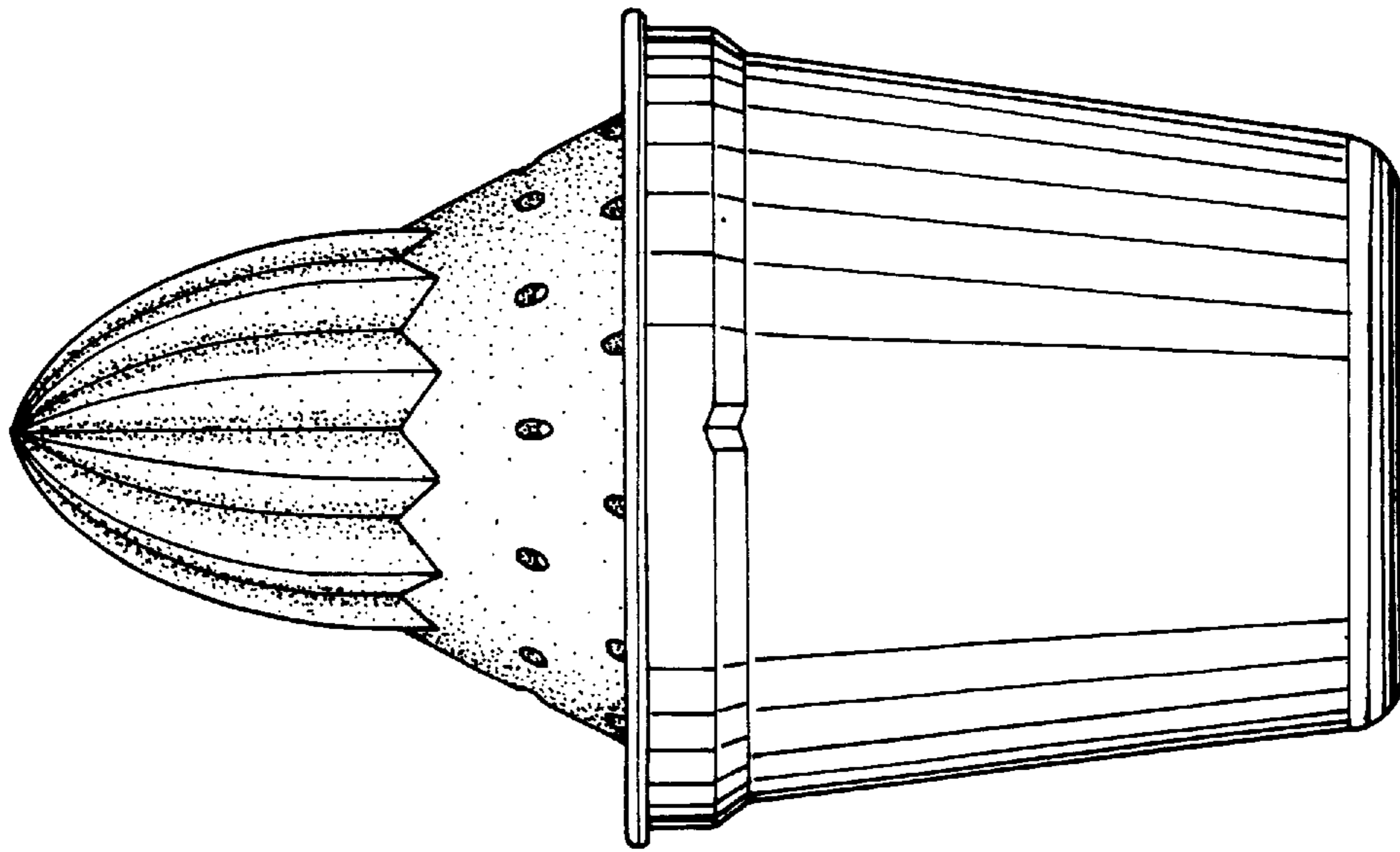


FIG. 2

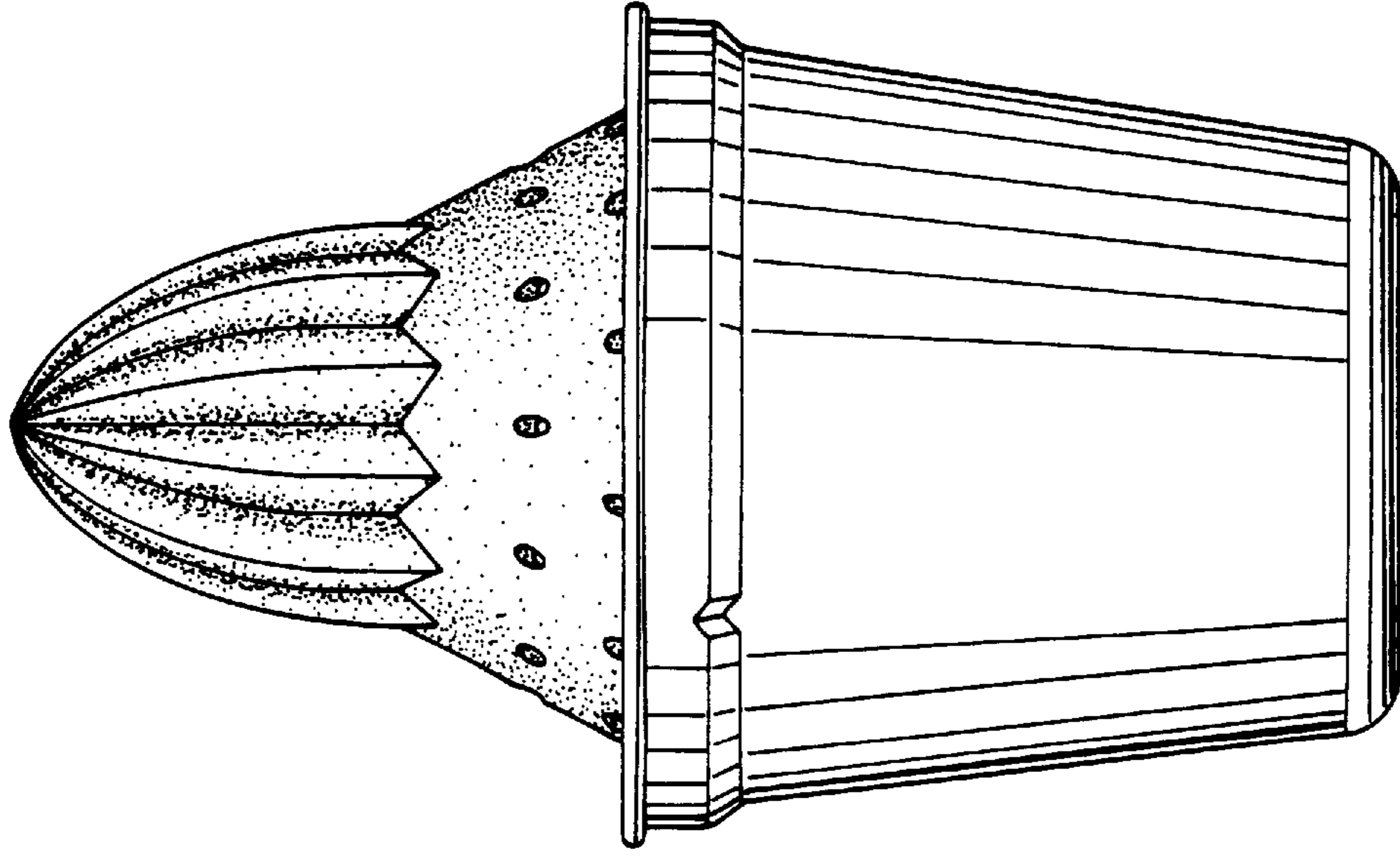


FIG.5

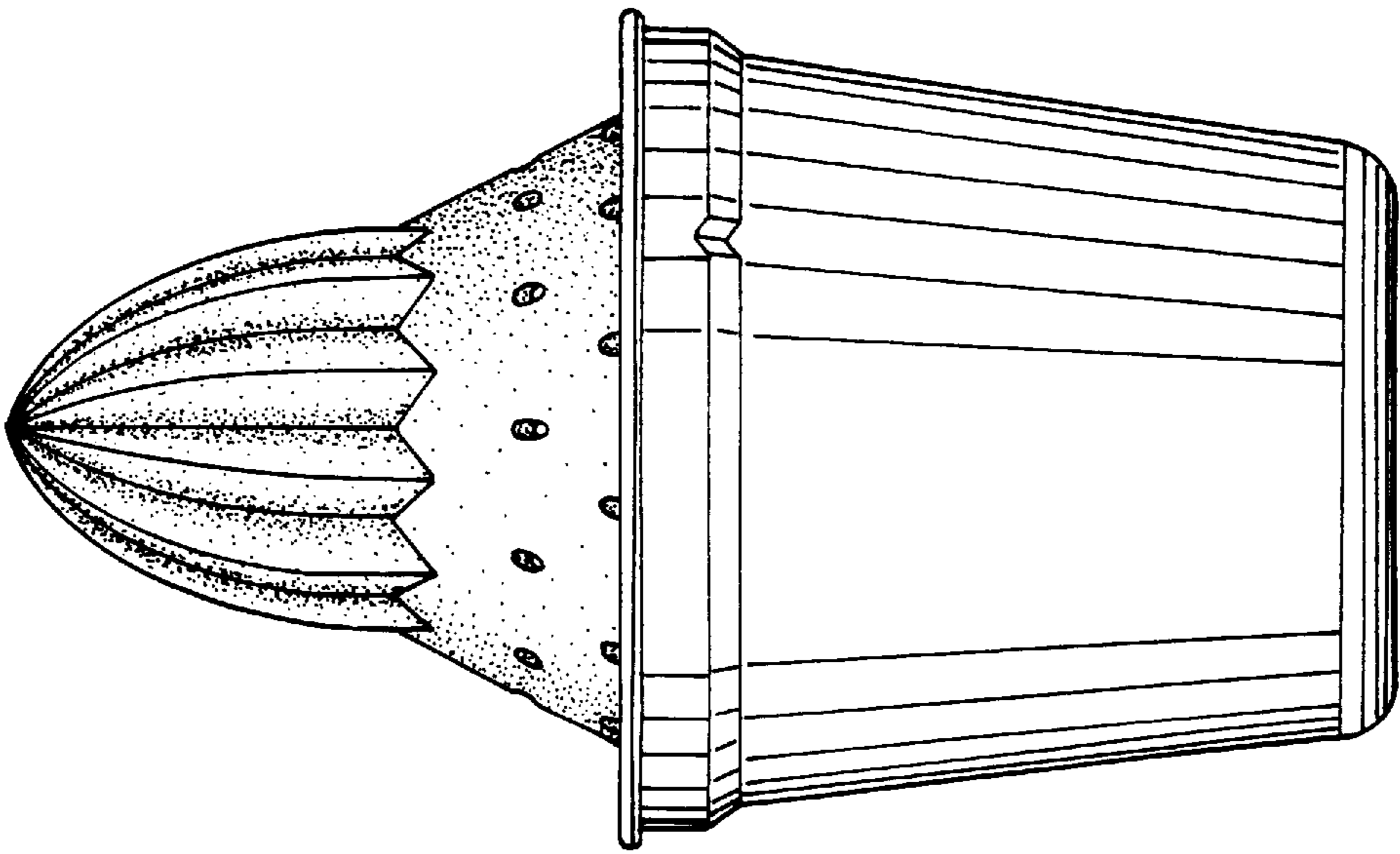


FIG.4

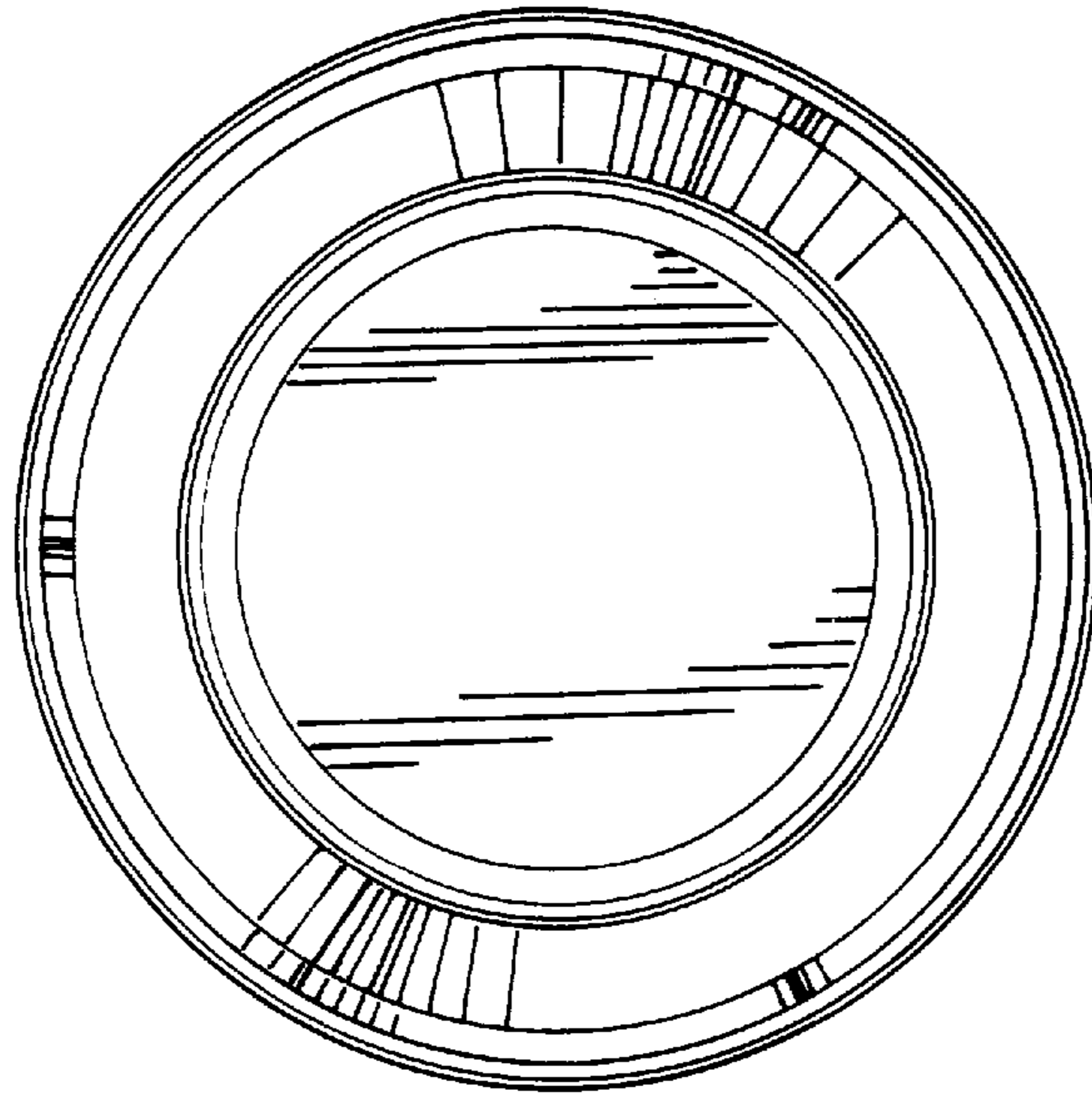


FIG. 7

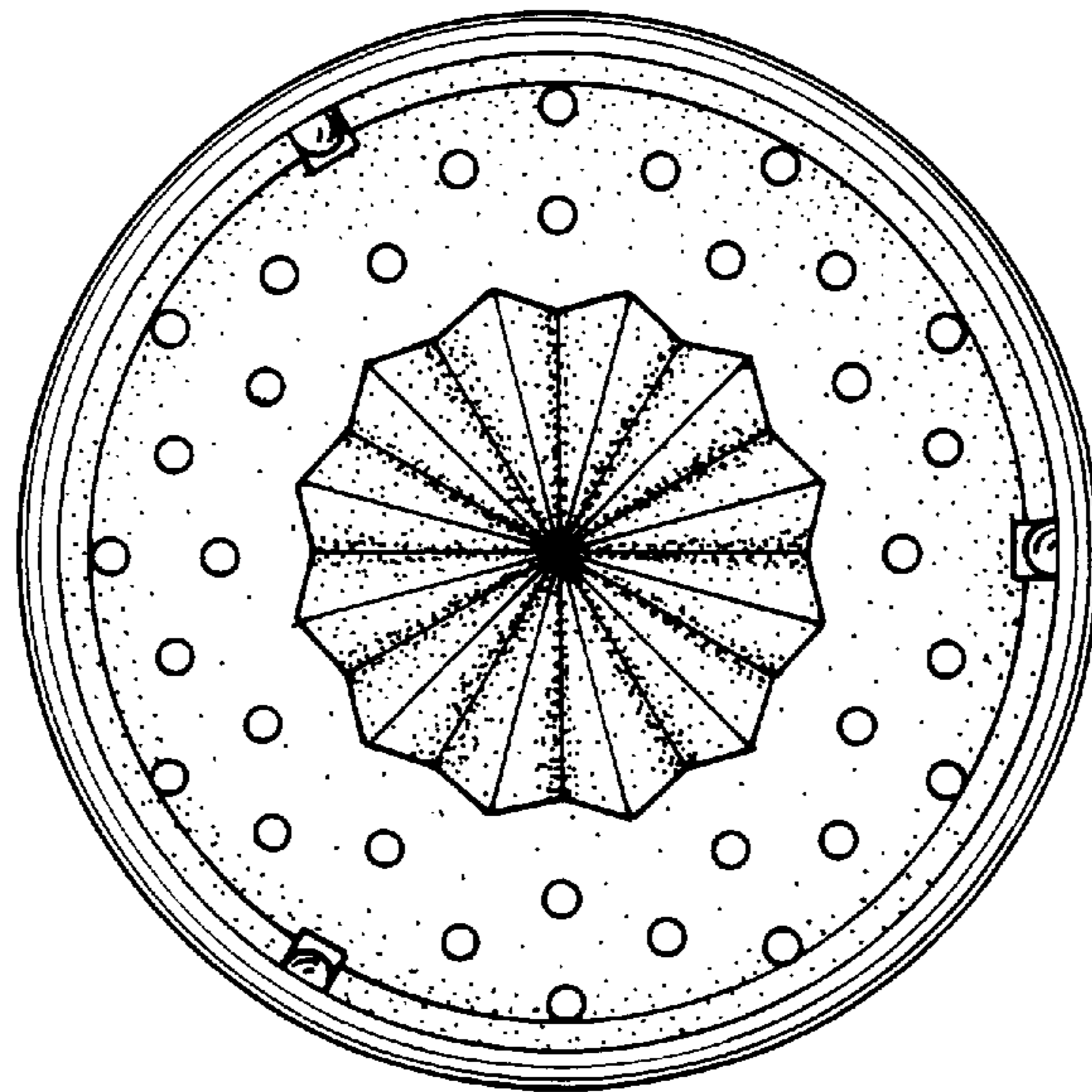


FIG. 6