



US00D399708S

United States Patent [19] Grissom

[11] **Patent Number: Des. 399,708**

[45] **Date of Patent: **Oct. 20, 1998**

[54] **REUSABLE FOOD STORAGE BAG**

[76] Inventor: **David L. Grissom**, 320 E. 1st Ave. #2,
Salt Lake City, Utah 84103

[**] Term: **14 Years**

[21] Appl. No.: **72,819**

[22] Filed: **Jun. 25, 1997**

[51] **LOC (6) Cl. 07-01**

[52] **U.S. Cl. D7/629; D9/305**

[58] **Field of Search D3/303, 202, 229;
D7/601, 607, 629; D9/305; 383/88, 89,
109, 110, 113; D11/212, 215, 218**

[56] **References Cited**

U.S. PATENT DOCUMENTS

D. 28,239	1/1898	Millhiser	D3/303 X
D. 378,070	2/1997	Hurd	D11/215
2,122,171	6/1938	Alexander	383/97 X
3,052,399	9/1962	Brown	383/88 X
4,228,834	10/1980	Desnick	D3/303 X

FOREIGN PATENT DOCUMENTS

10642 9/1908 United Kingdom 383/89

Primary Examiner—Terry A. Wallace
Attorney, Agent, or Firm—Trask, Britt & Rossa

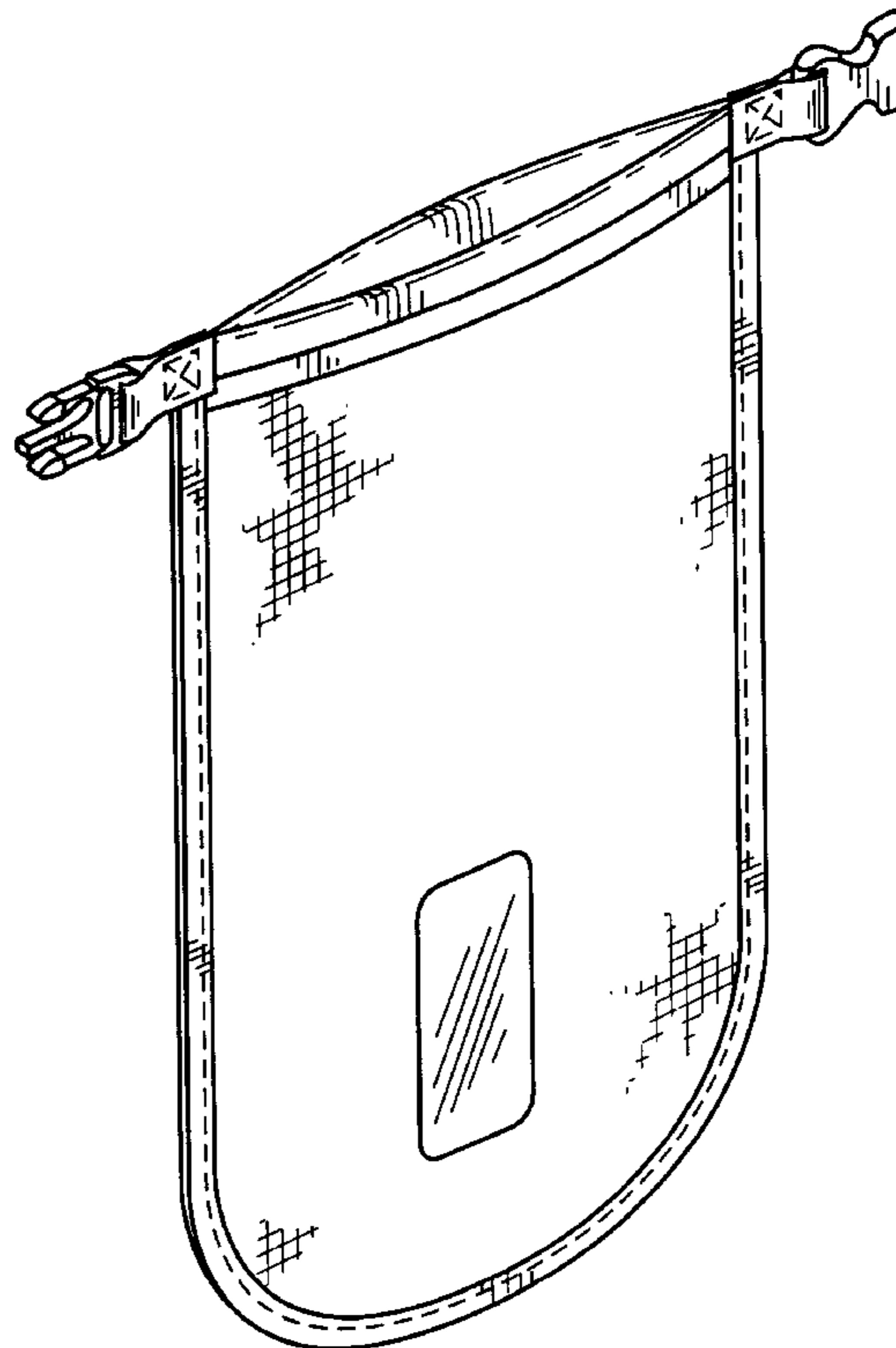
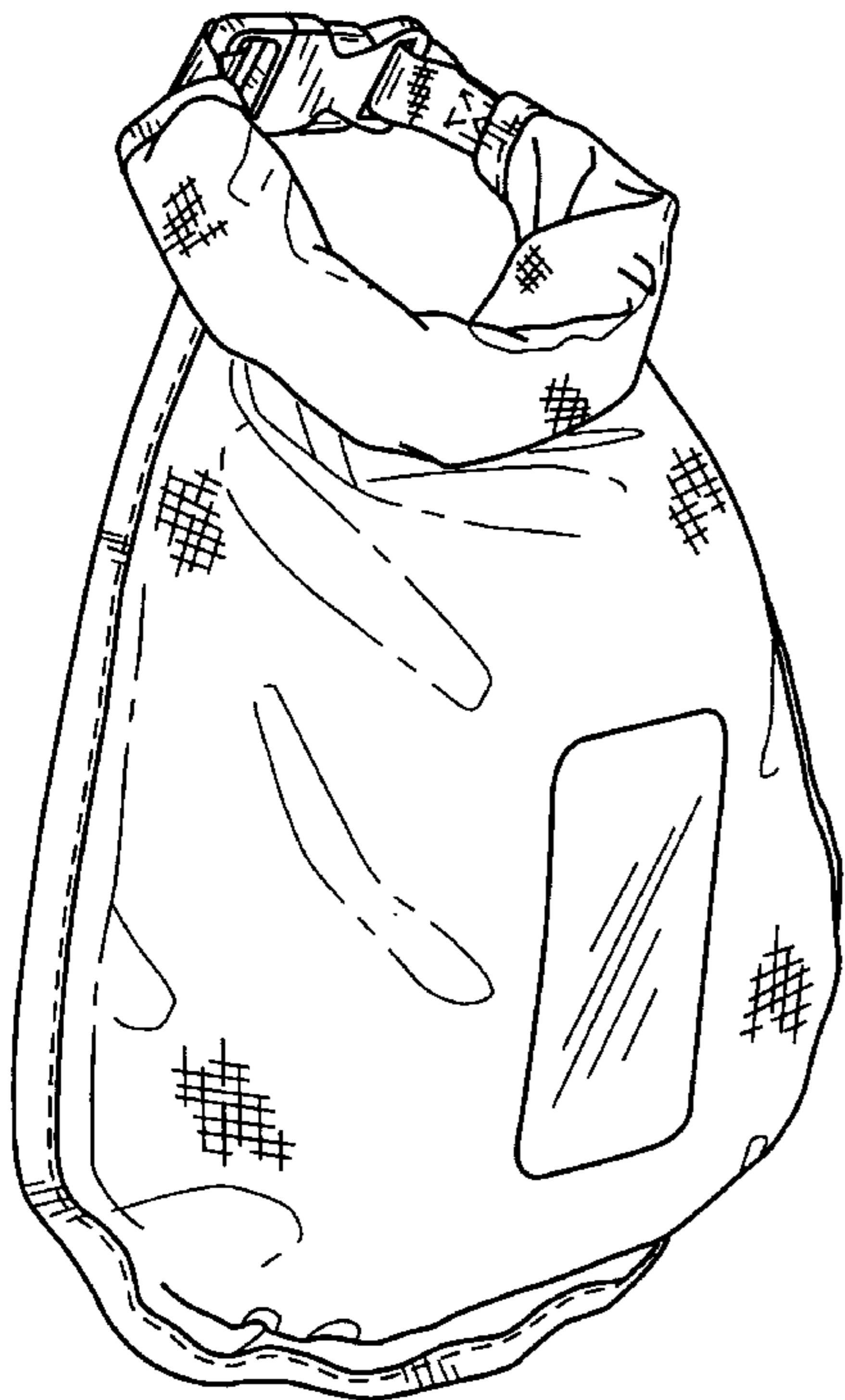
[57] **CLAIM**

The ornamental design for a reusable food storage bag, as shown.

DESCRIPTION

FIG. 1 is an oblique view of the reusable food storage bag of the present design in a filled and closed configuration; FIG. 2 is an oblique view of the reusable food storage bag of the present design in an empty and open configuration; FIG. 3 is a front plan view of the reusable food storage bag of the present design in an empty and open configuration; FIG. 4 is a back plan view of the bag of FIG. 3; FIG. 5 is a left side plan view of the bag of FIG. 3; FIG. 6 is a right side plan view of the bag of FIG. 3; FIG. 7 is a top plan view of the bag of FIG. 3; and, FIG. 8 is a bottom plan view of the bag of FIG. 3.

1 Claim, 3 Drawing Sheets



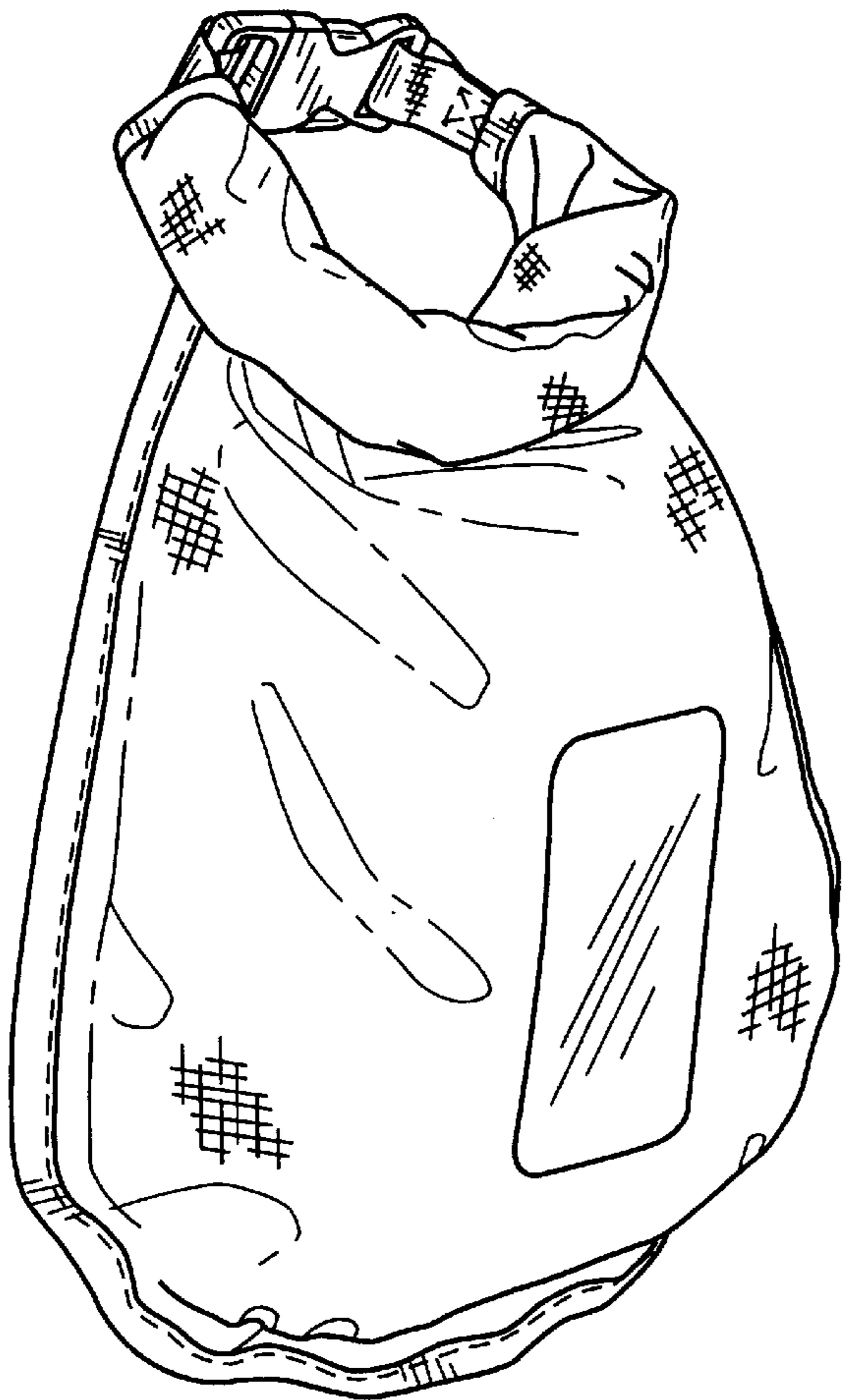


Fig. 1

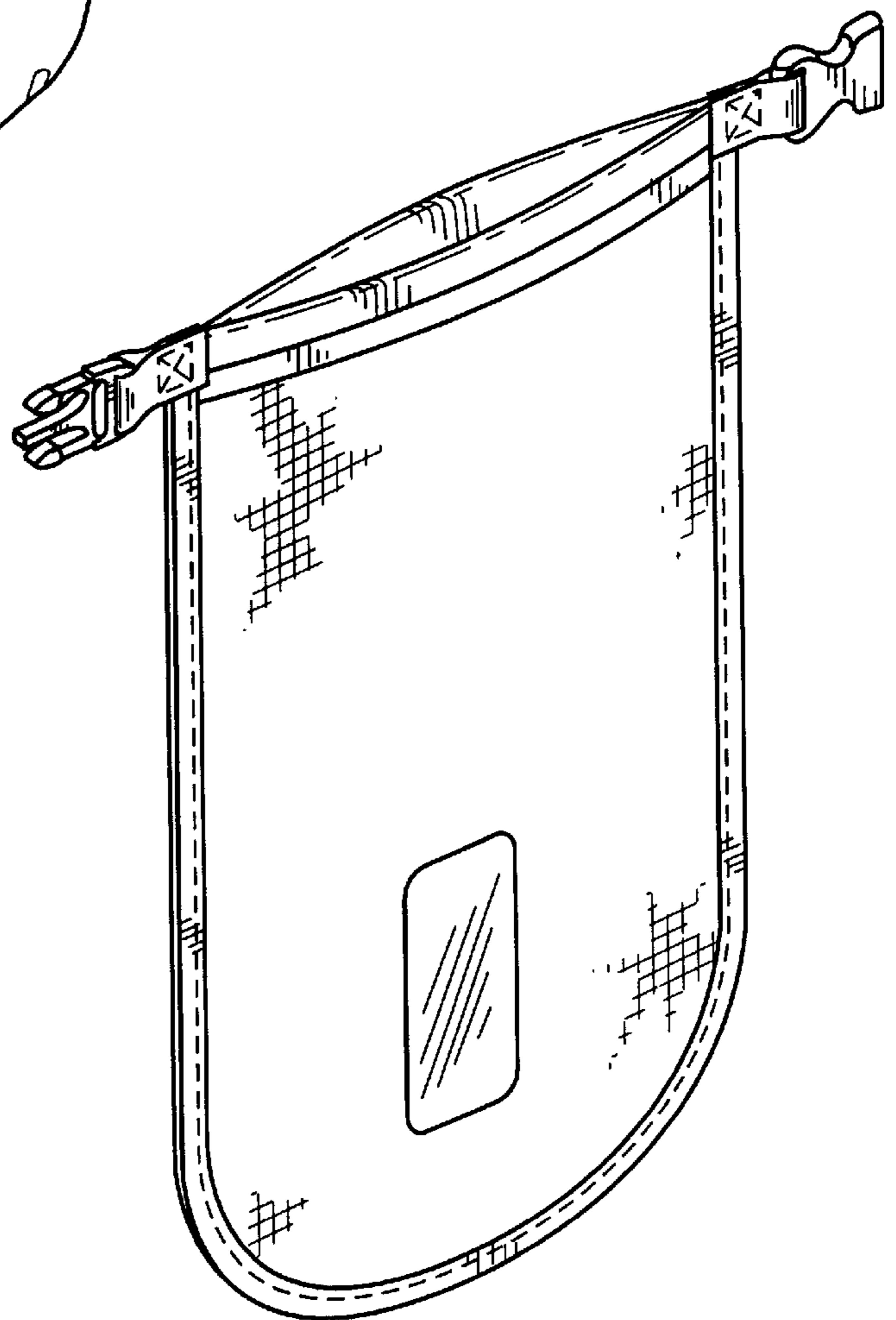


Fig. 2

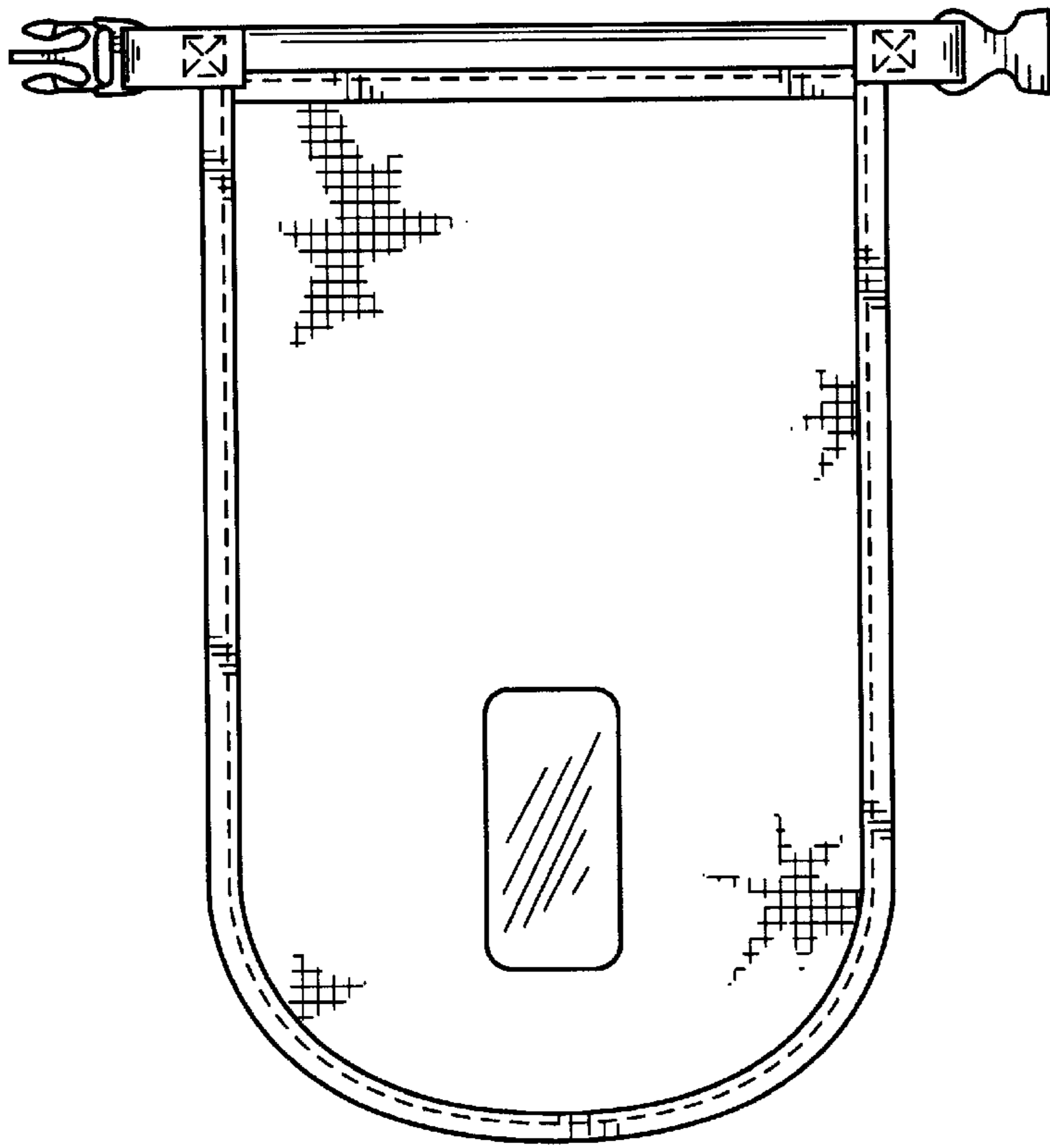


Fig. 3

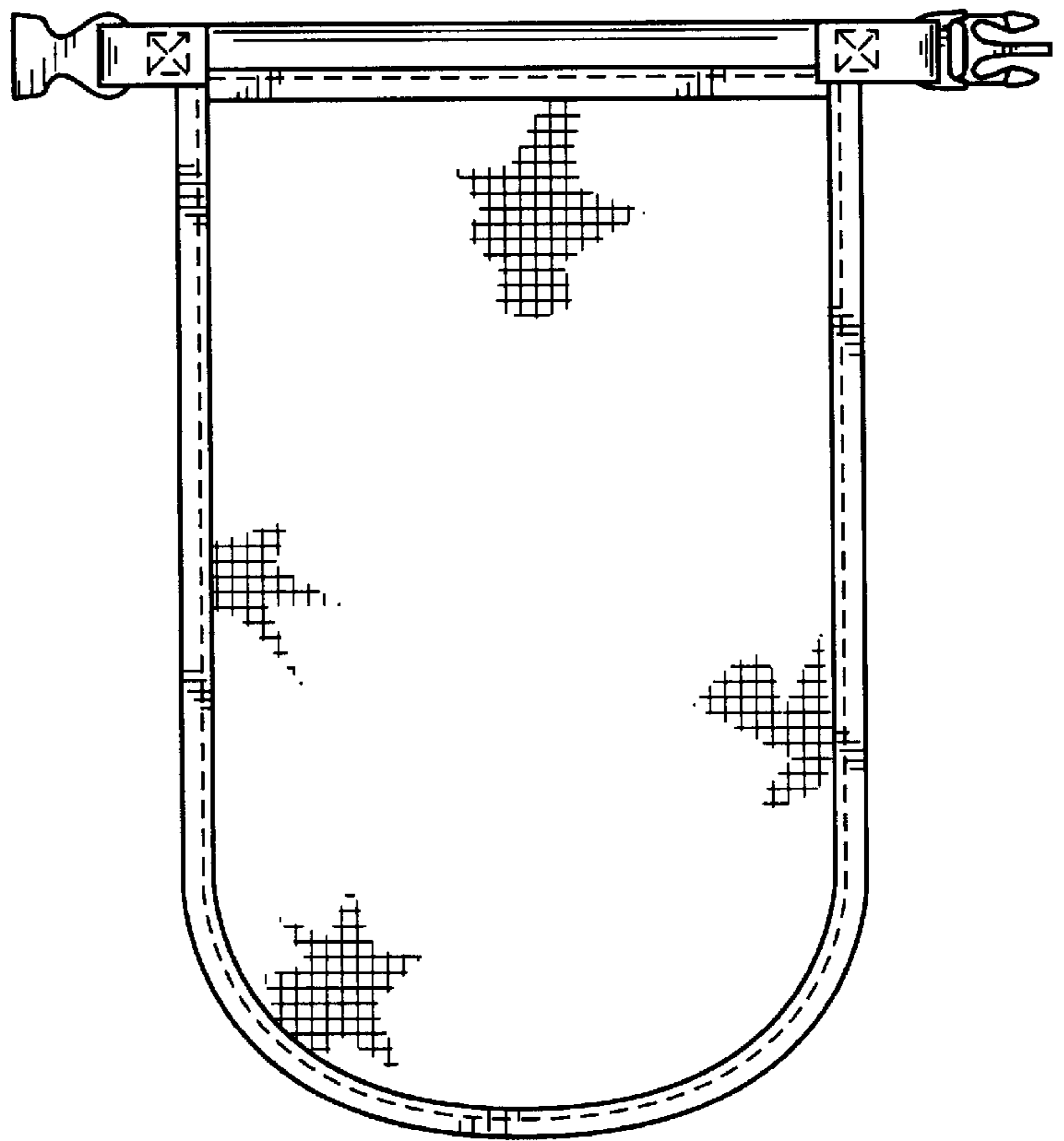


Fig. 4



Fig. 5



Fig. 6



Fig. 7



Fig. 8