



US00D399707S

United States Patent [19]

Villarreal, Jr. et al.

[11] **Patent Number: Des. 399,707**

[45] **Date of Patent: **Oct. 20, 1998**

[54] **BEVERAGE HOLDER WITH POCKET**

[76] Inventors: **Jose Antonio Villarreal, Jr.; Carol Josephine Villarreal**, both of 1606 Texas Oak Way, Cedar Park, Tex. 78613

[**] Term: **14 Years**

[21] Appl. No.: **77,298**

[22] Filed: **Oct. 1, 1997**

[51] **LOC (6) Cl. 07-06**

[52] **U.S. Cl. D7/607; D7/624**

[58] **Field of Search** D7/619-625, 605, D7/607, 608; 62/457.1-457.5, 371, 529, 530; 211/71, 74; 215/386, 392-394; 220/737, 740, 411, 412, 902, 903, 906, 907; 248/346.11

[56] **References Cited**

U.S. PATENT DOCUMENTS

D. 266,048 9/1982 Zills D7/607
4,802,602 2/1989 Evans et al. D7/605 X

Primary Examiner—Terry A. Wallace

Attorney, Agent, or Firm—Barry S. Newberger; Winstead Sechrest & Minick P.C.

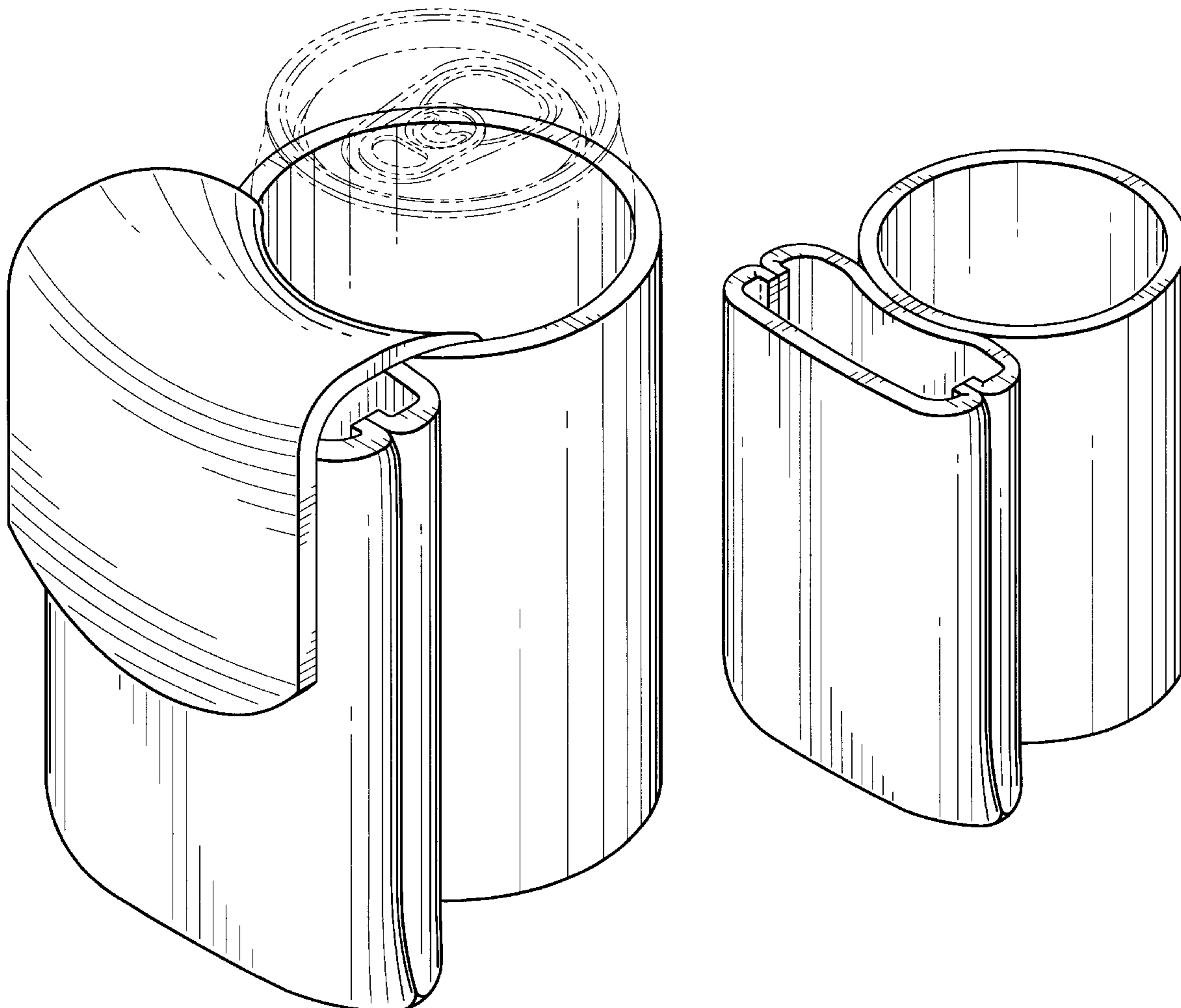
[57] **CLAIM**

The ornamental design for a beverage holder with pocket, as shown and described.

DESCRIPTION

FIG. 1 is an perspective view of the beverage holder with pocket showing our new present design; FIG. 2 is a front elevation view thereof; FIG. 3 is a right side elevation view thereof, the opposite side being a mirror image; FIG. 4 is a rear elevation view thereof; FIG. 5 is a top plan view thereof; FIG. 6 is a bottom plan view thereof; FIG. 7 is a perspective view thereof with the pocket in an open position; and, FIG. 8 is an perspective view of an alternate embodiment with the difference being no flap over the pocket area. The can is shown in broken lines for illustrative purposes only and forms no part of the claimed design.

1 Claim, 4 Drawing Sheets



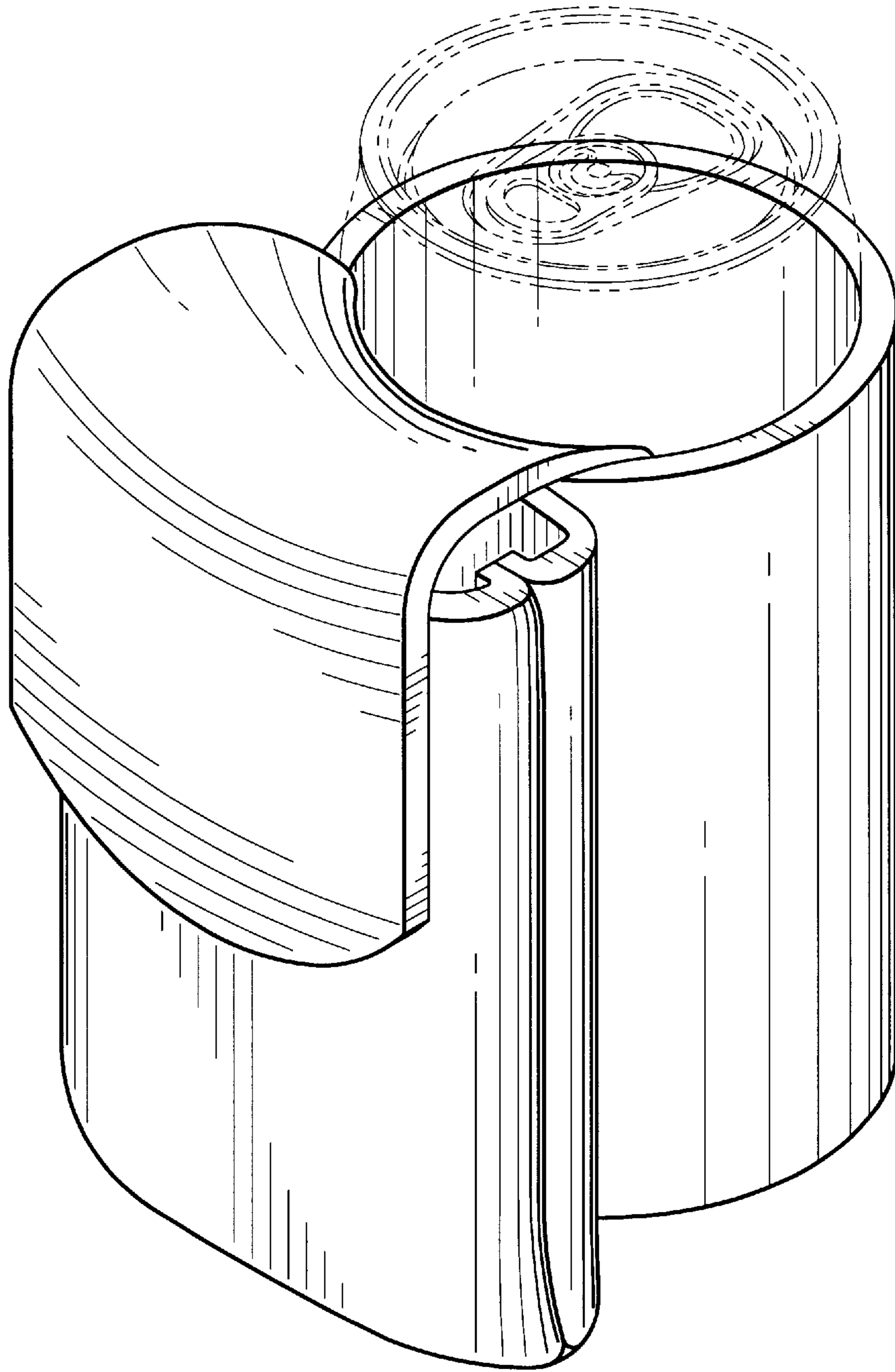


FIG. 1

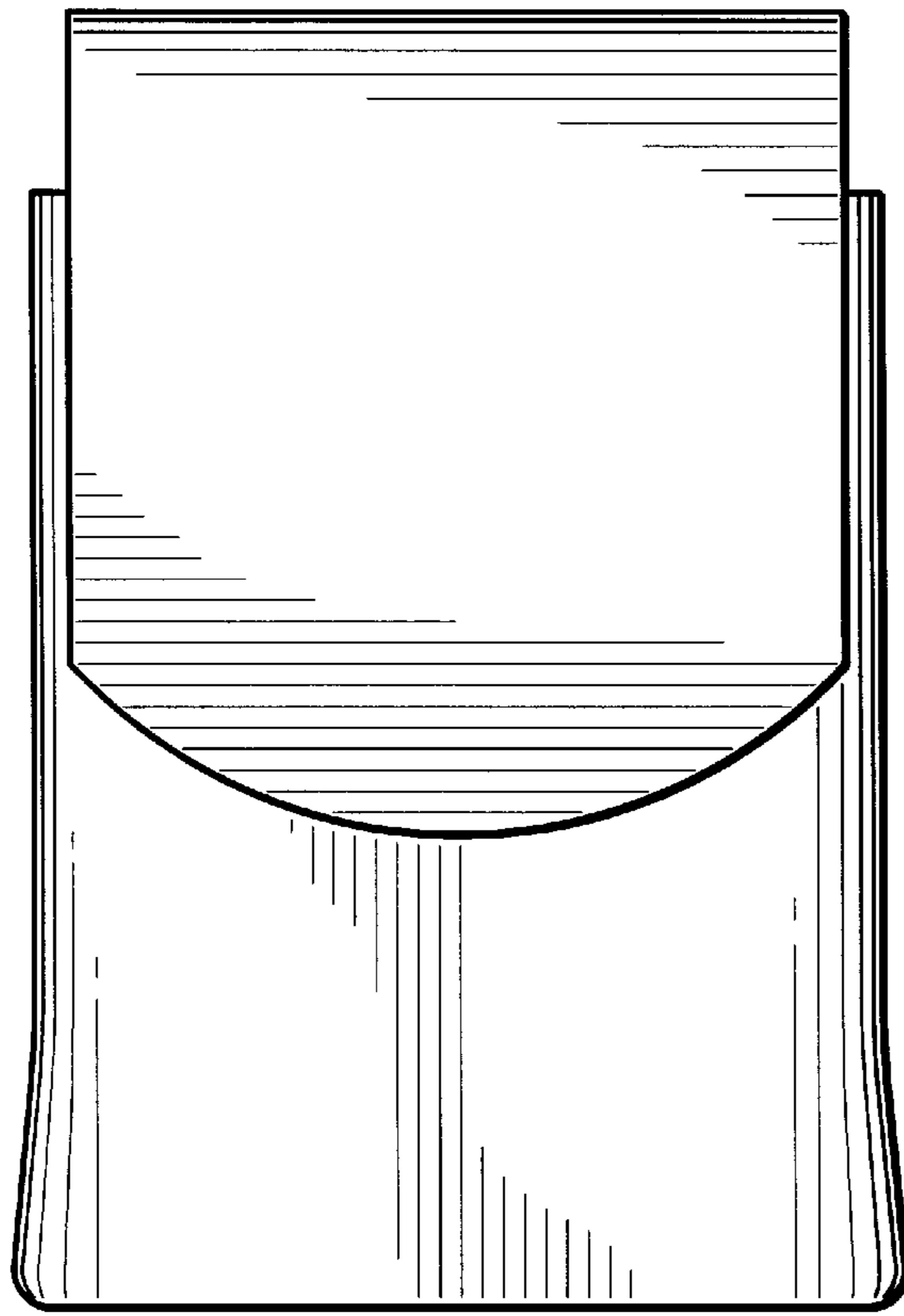


FIG. 2

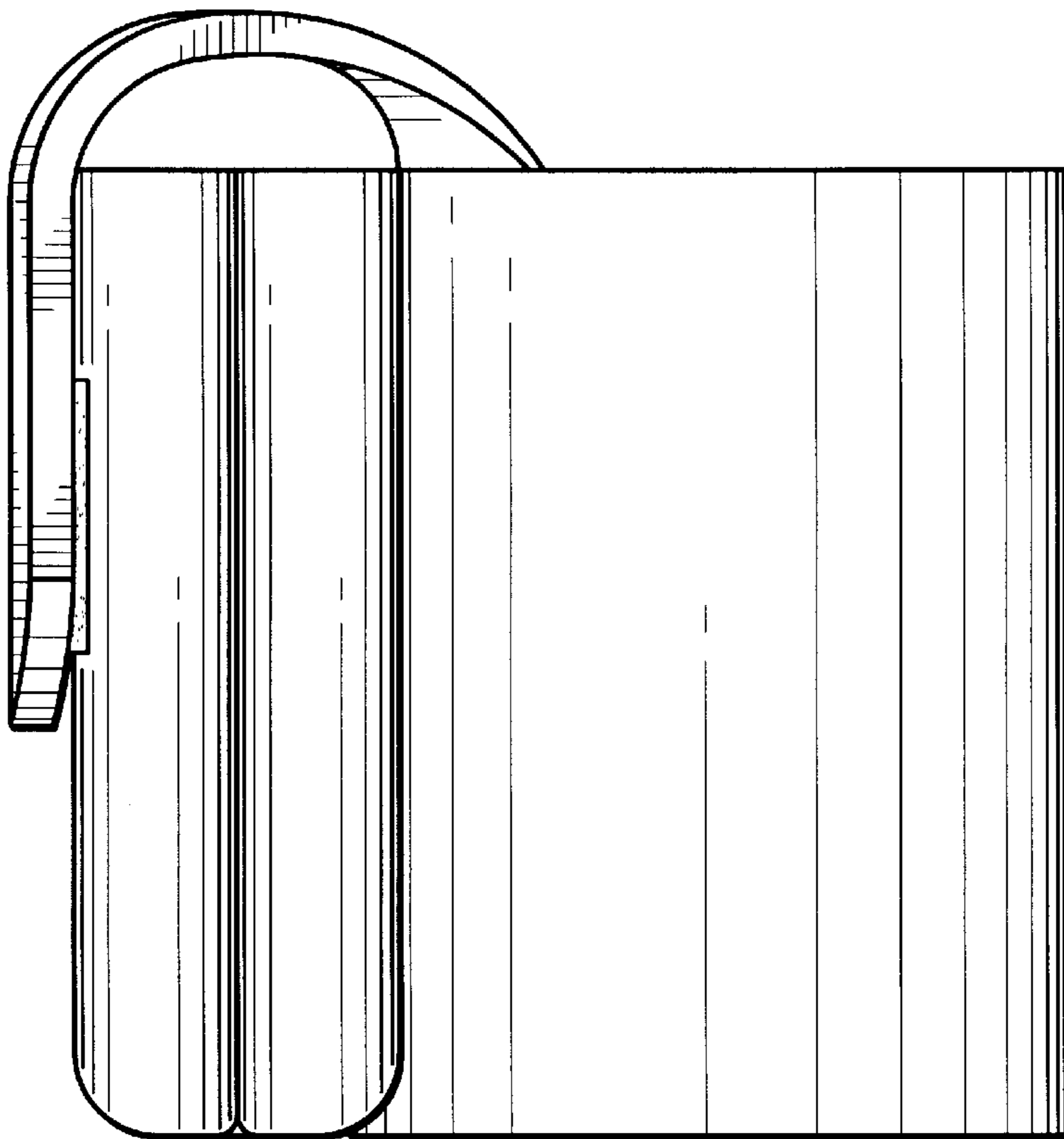


FIG. 3

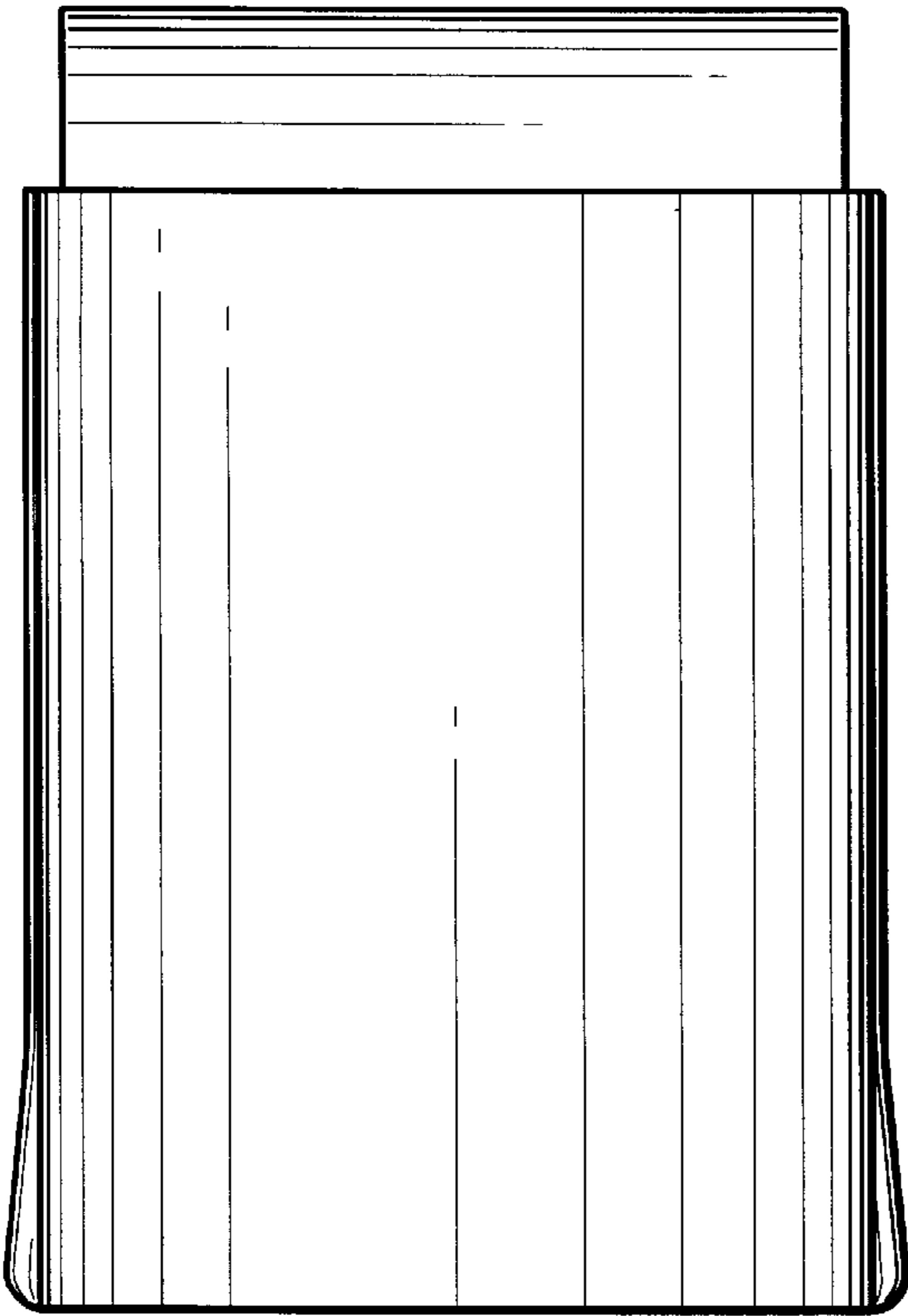


FIG. 4

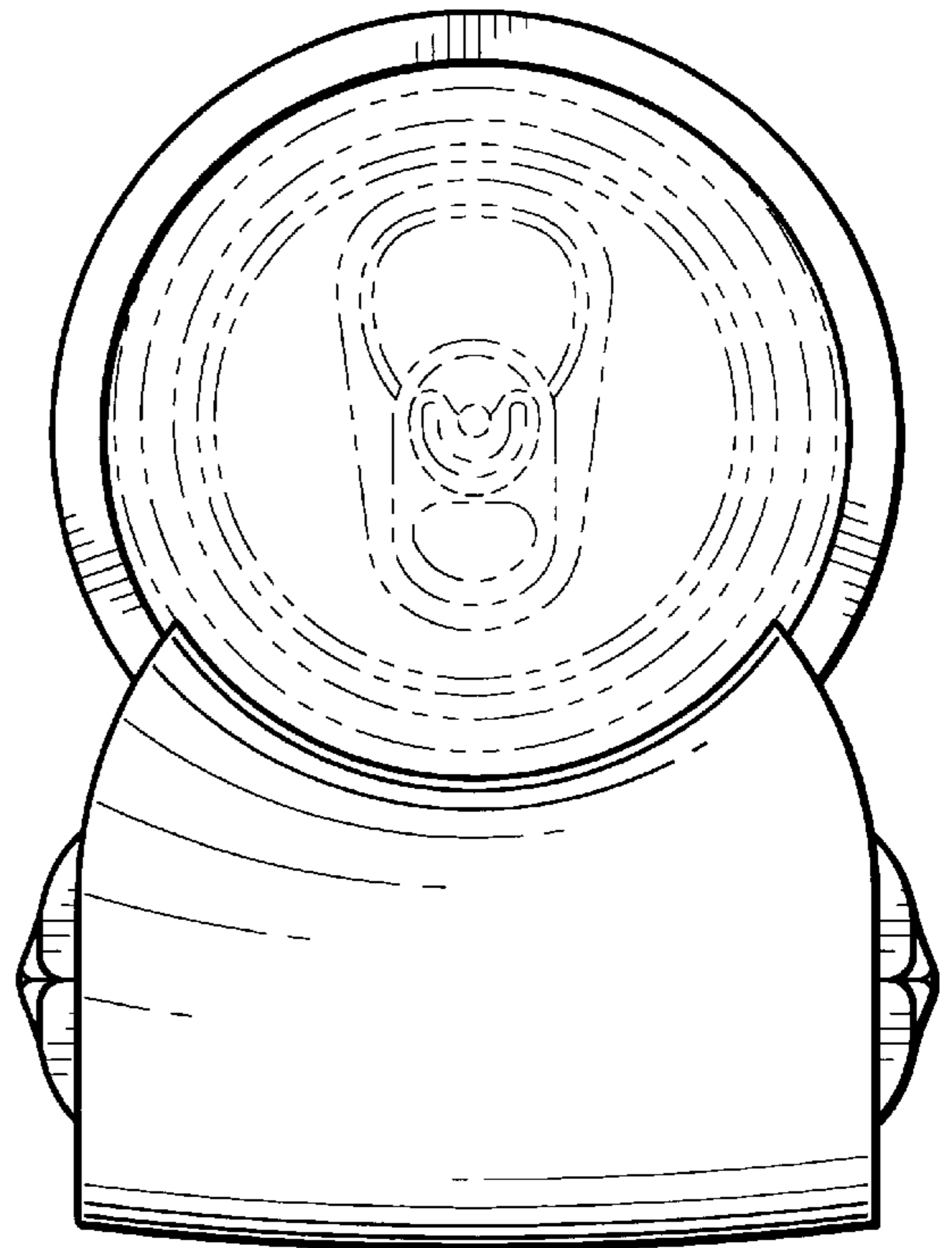


FIG. 5

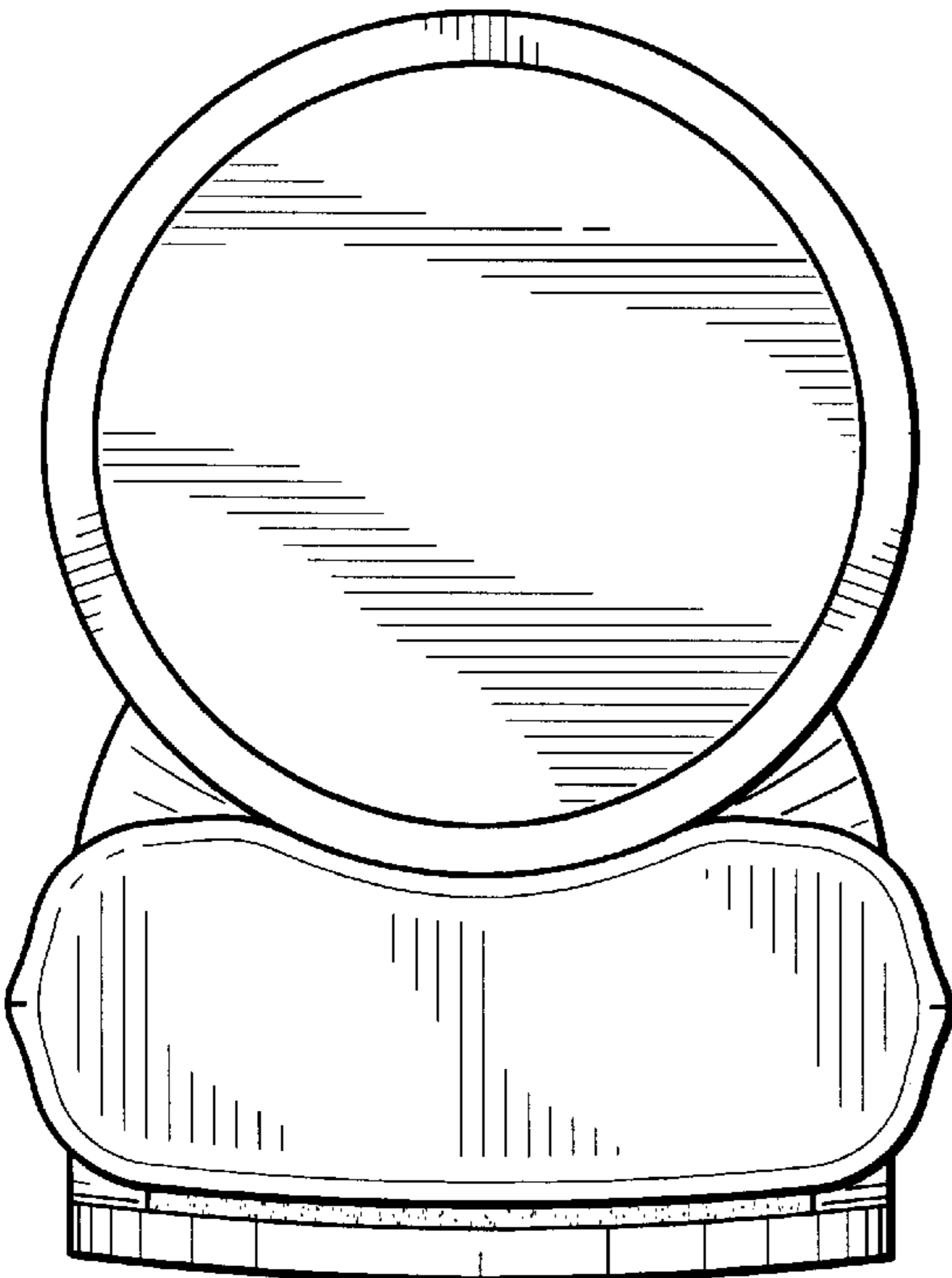


FIG. 6

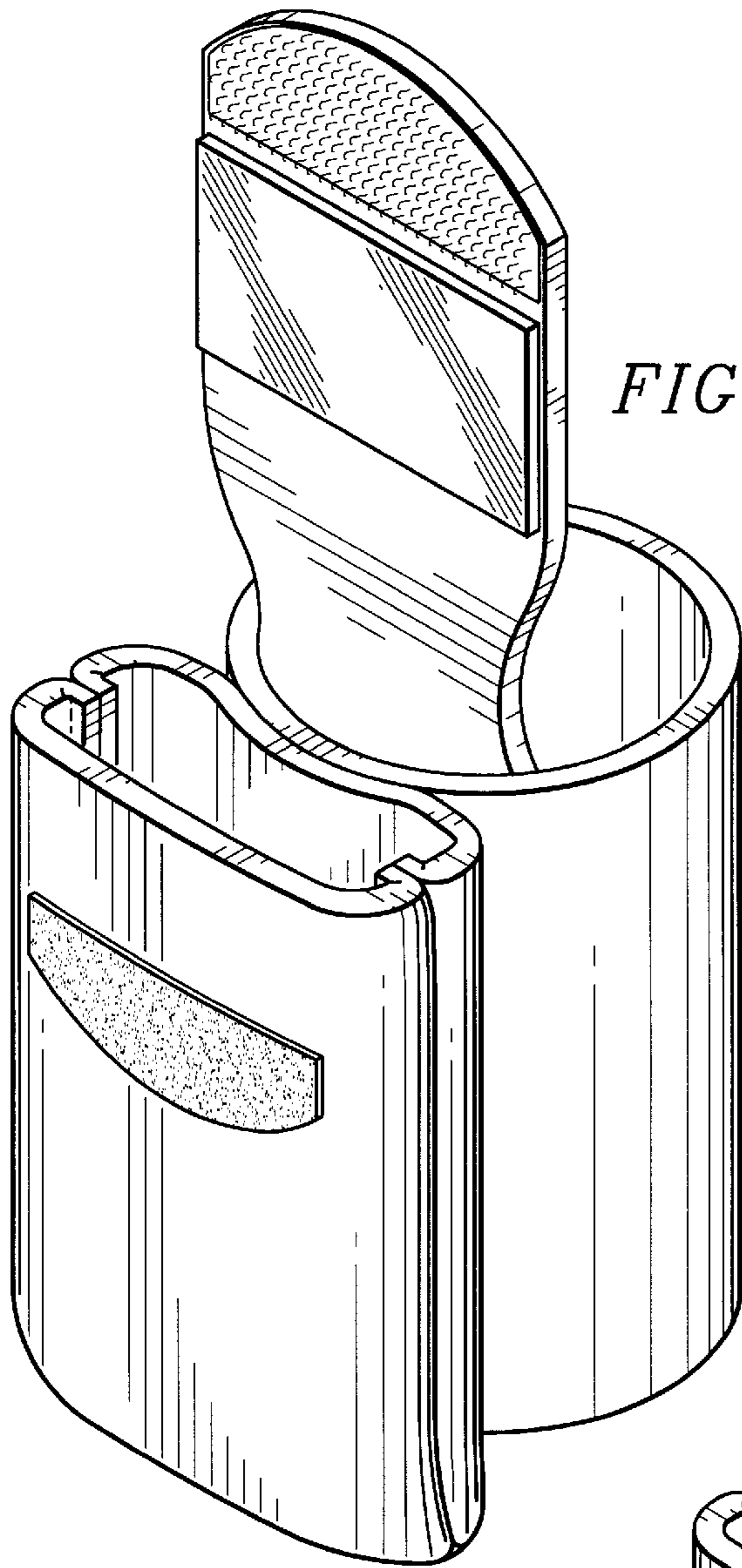


FIG. 7

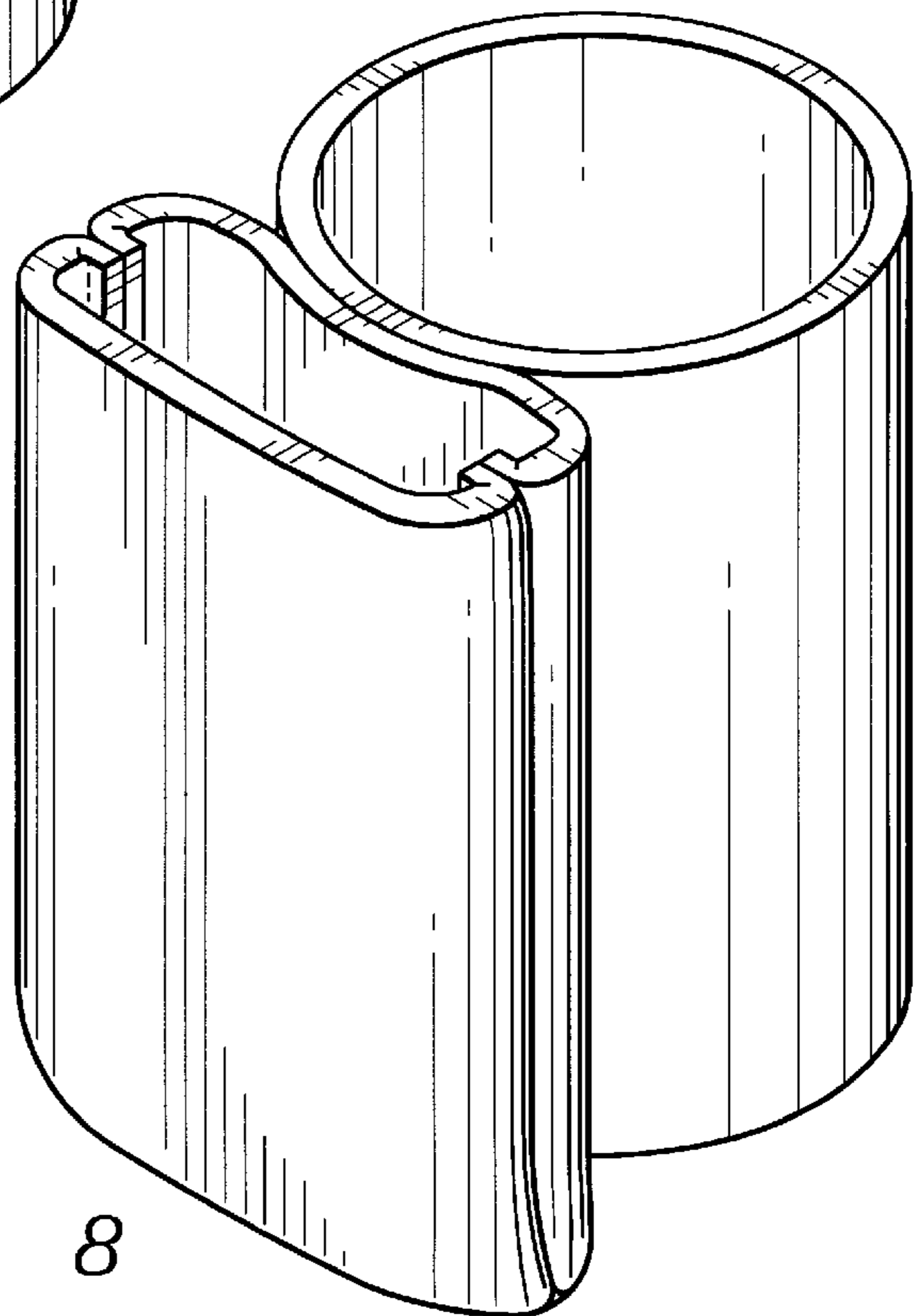


FIG. 8