



US00D399706S

United States Patent [19]

Paletti et al.

[11] **Patent Number: Des. 399,706**

[45] **Date of Patent: **Oct. 20, 1998**

[54] **COOLER**

[75] Inventors: **Steve Paletti**, Columbus; **Kevin Rausch**, Wooster, both of Ohio

[73] Assignee: **Rubbermaid Incorporated**, Wooster, Ohio

[**] Term: **14 Years**

[21] Appl. No.: **73,411**

[22] Filed: **Jul. 8, 1997**

[51] **LOC (6) Cl. 07-06**

[52] **U.S. Cl. D7/605**

[58] **Field of Search D7/605-608; 62/457.1, 62/457.7, 371, 372; 220/410, 412**

[56] **References Cited**

U.S. PATENT DOCUMENTS

D. 252,397	7/1979	Cousins et al.	D7/605 X
D. 307,850	5/1990	Aoki et al.	D7/624
D. 325,853	5/1992	Kahl	D7/605

OTHER PUBLICATIONS

Gio'Style "Summertime Collection" advertisement, 4 pages, (Dec. 1990), Coolers.

Gio'Style "Summertime Collection 93" advertisement, 5 pages, (1993), Coolers.

Primary Examiner—Terry A. Wallace
Attorney, Agent, or Firm—Renner, Kenner, Greive, Bobak, Taylor & Weber

[57] **CLAIM**

The ornamental design for a cooler, as shown and described.

DESCRIPTION

FIG. 1 is a top, front, right side perspective view of a cooler showing our new design;

FIG. 2 is a top plan view thereof;

FIG. 3 is a front elevational view thereof;

FIG. 4 is a left side elevational view thereof, the right side being a mirror image of FIG. 4;

FIG. 5 is a rear elevational view thereof; and

FIG. 6 is a bottom plan view thereof.

1 Claim, 6 Drawing Sheets

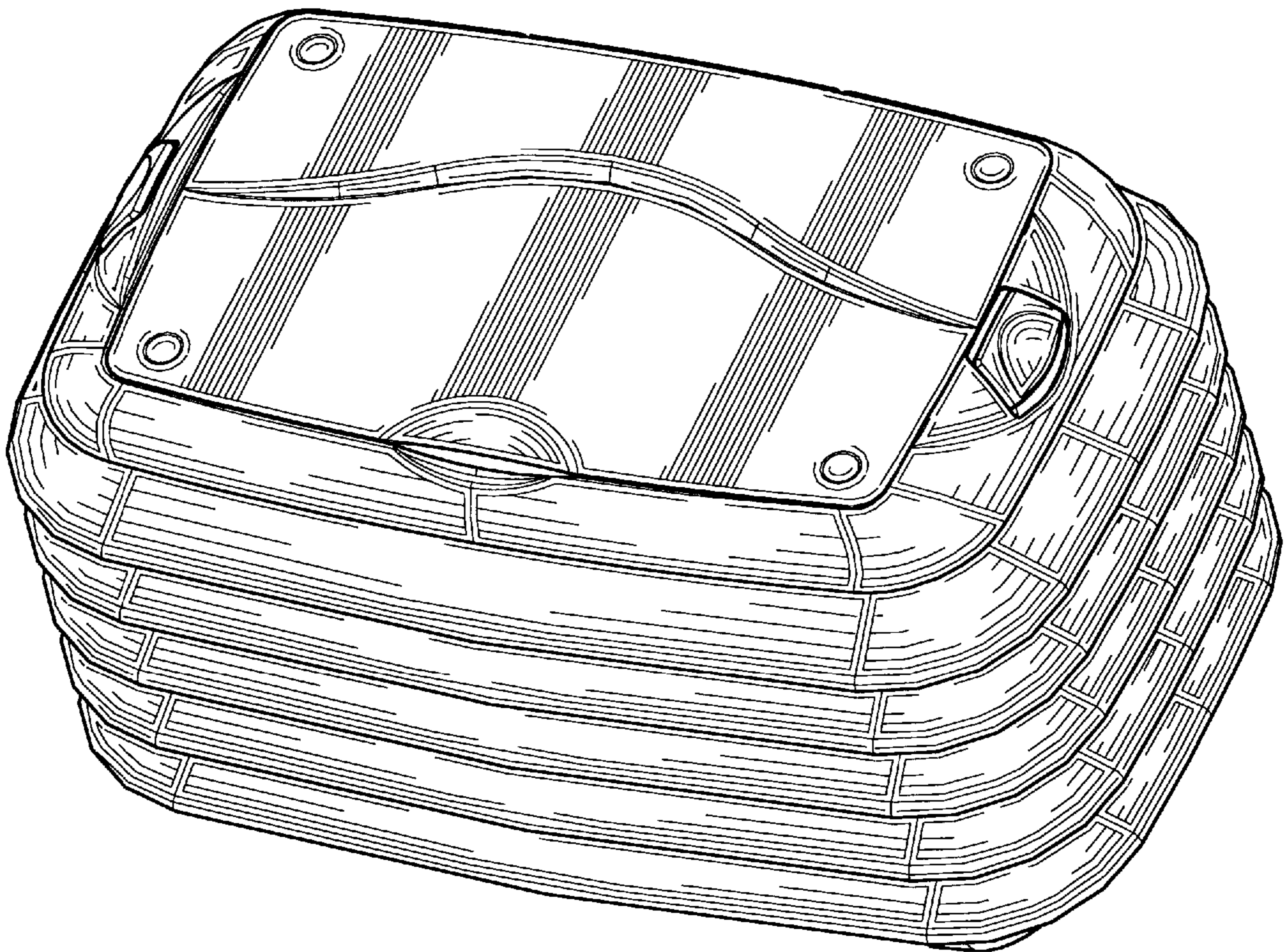




FIG. 1

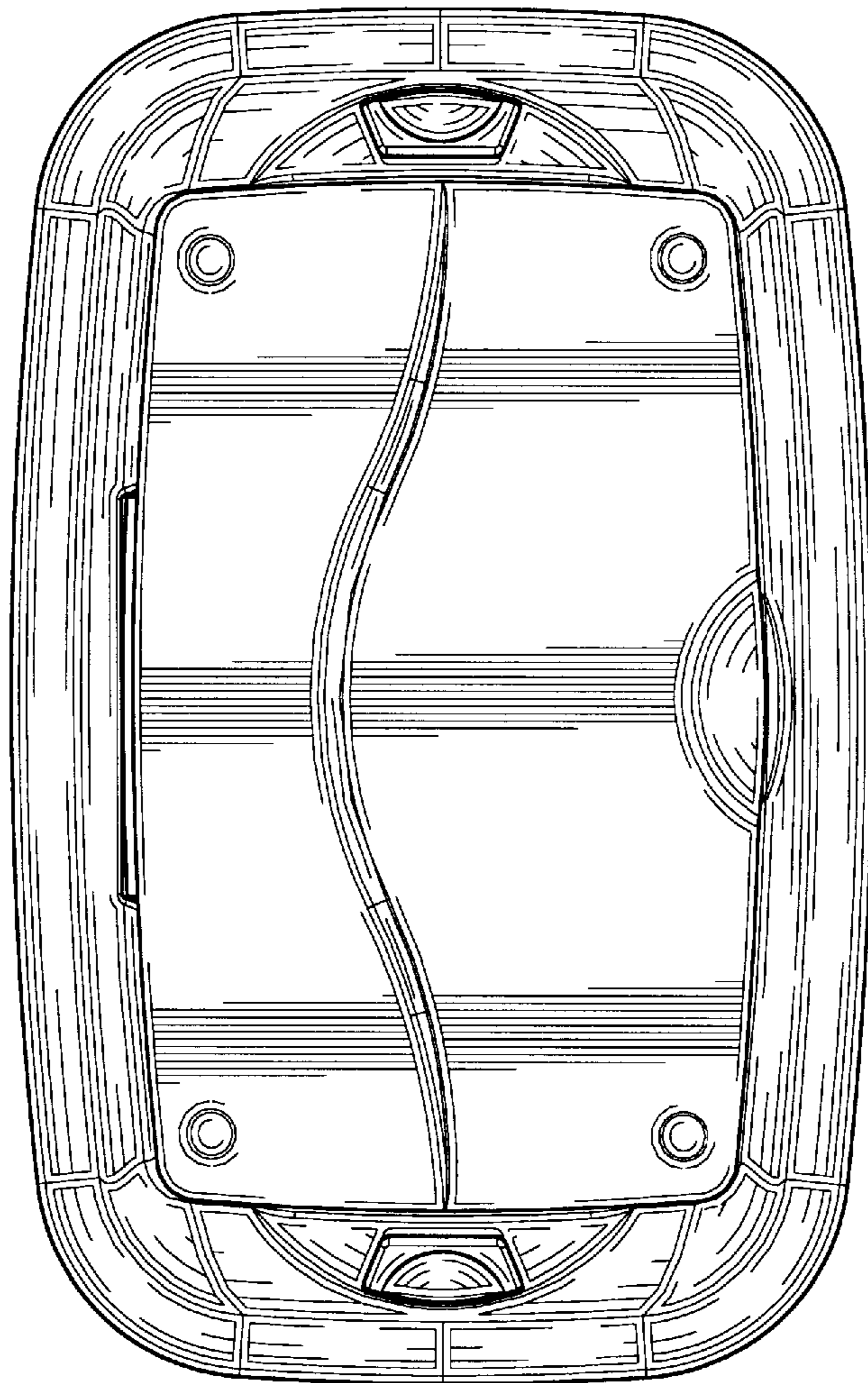


FIG. 2

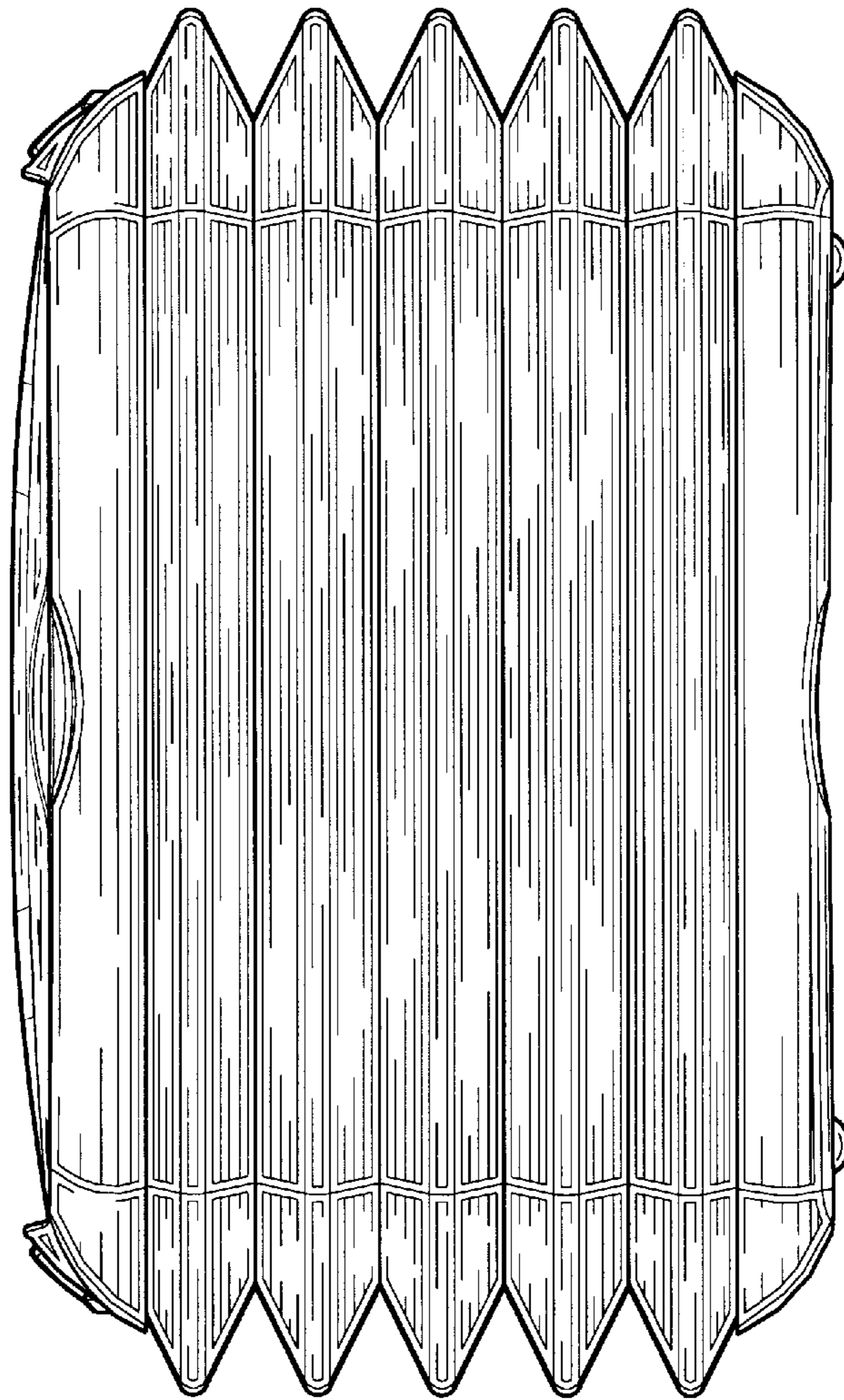


FIG. 3

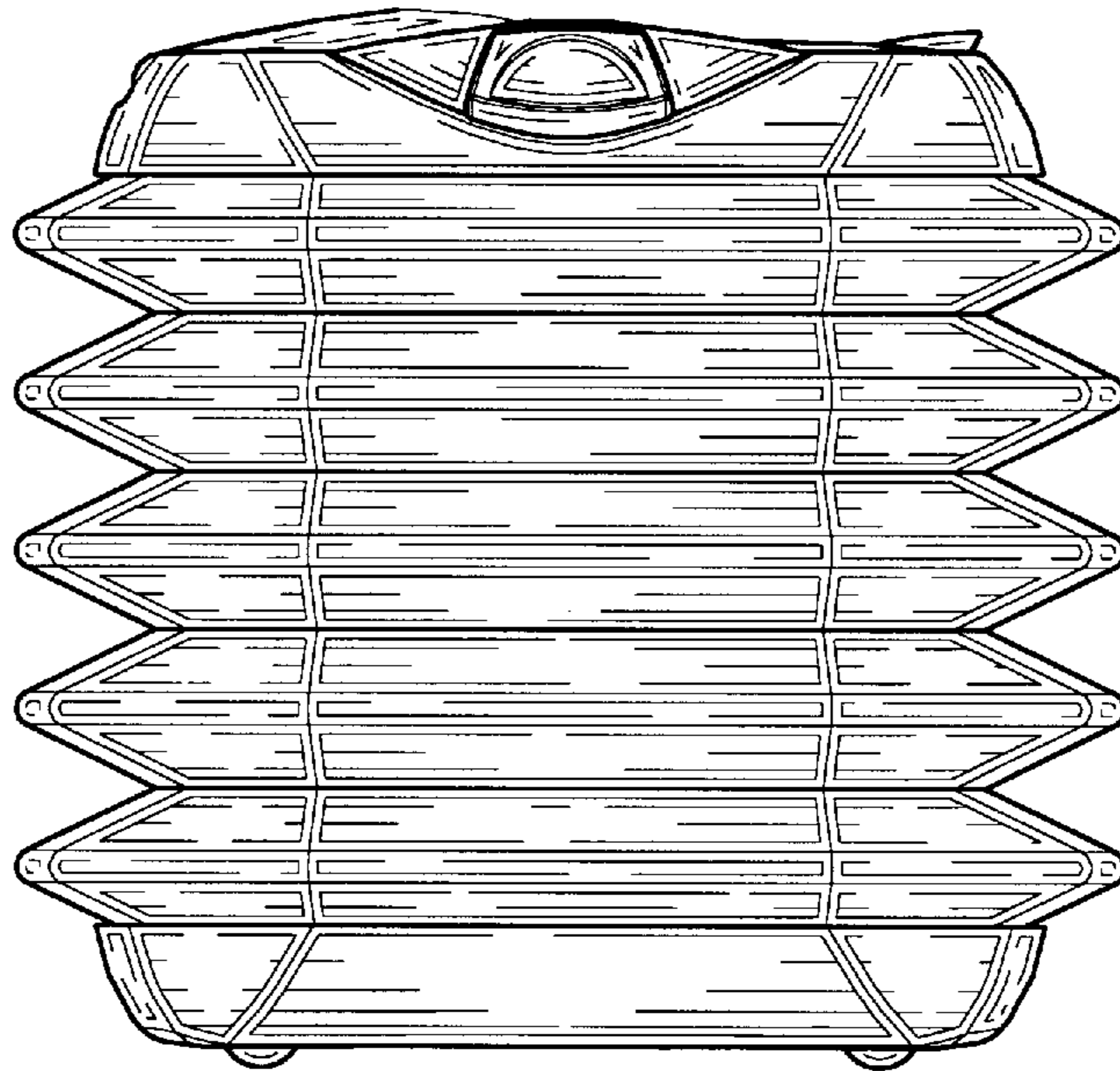


FIG. 4

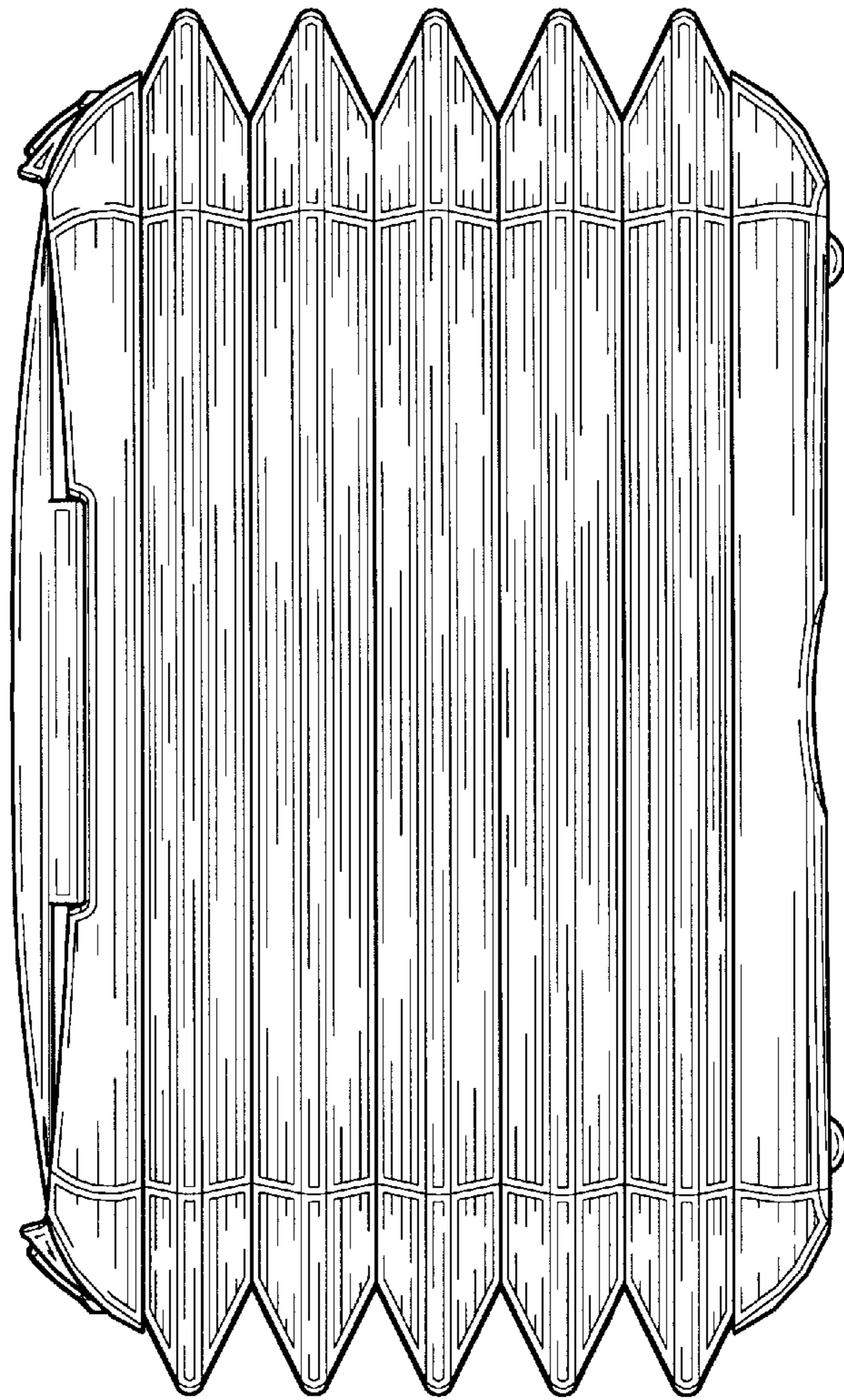


FIG. 5

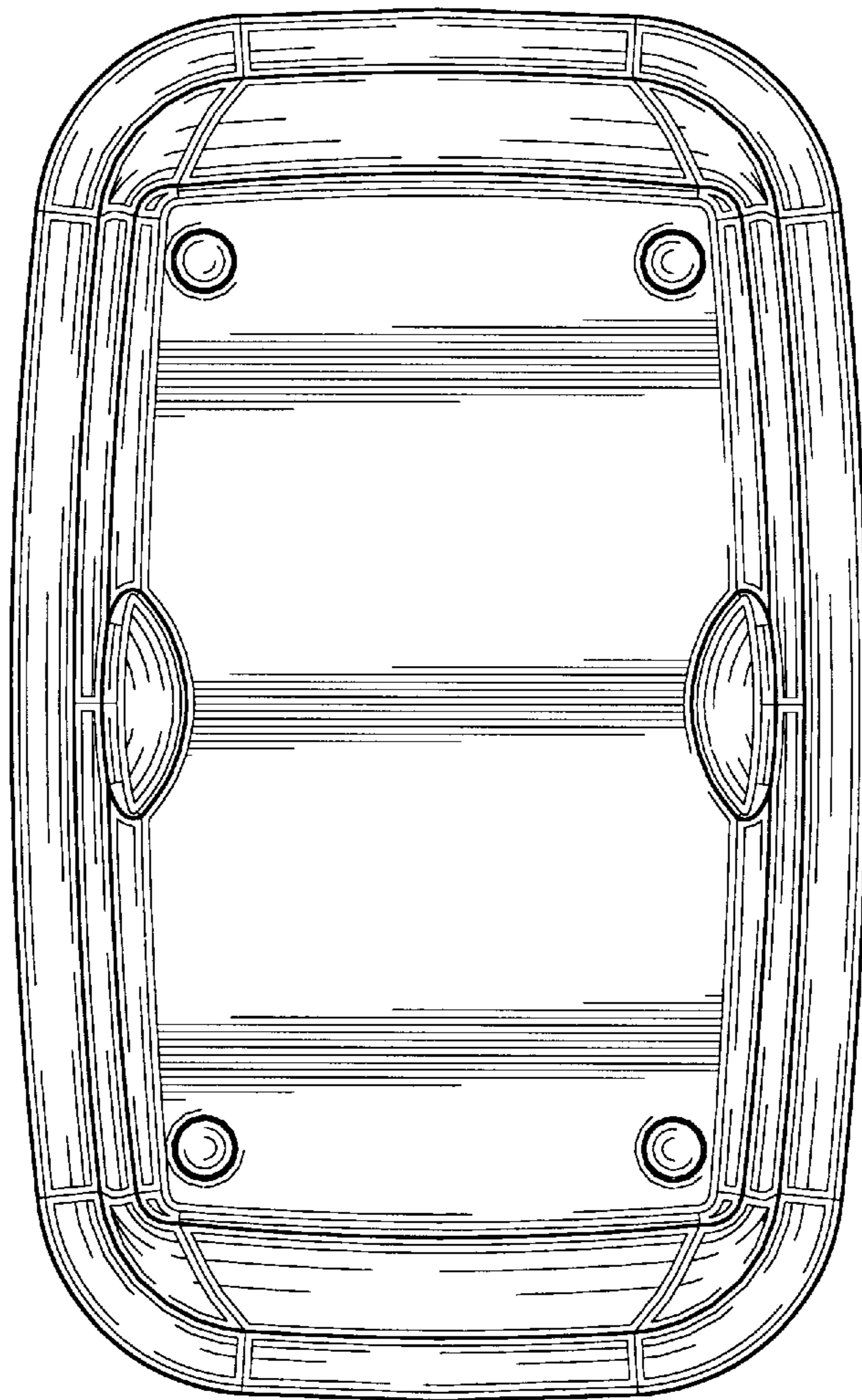


FIG. 6