



US00D399698S

United States Patent [19]
Saltet

[11] **Patent Number: Des. 399,698**

[45] **Date of Patent: **Oct. 20, 1998**

[54] **ELECTRIC COFFEE MACHINE**

D. 373,281 9/1996 Simmons D7/309
D. 379,132 5/1997 Brady et al. D7/309
D. 385,747 11/1997 Inoue D7/311

[75] Inventor: **Philippe Saltet**, Chateaufort, Germany

[73] Assignee: **Robert Krups GmbH & Co. KG**, Solingen, Germany

Primary Examiner—M. N. Pandozzi
Attorney, Agent, or Firm—Darby & Darby

[**] Term: **14 Years**

[57] **CLAIM**

[21] Appl. No.: **71,529**

The ornamental design for an electric coffee machine, as shown.

[22] Filed: **May 30, 1997**

DESCRIPTION

[51] **LOC (6) Cl.** **07-01**

FIG. 1 is a perspective view of an electric coffee machine showing my new design;

[52] **U.S. Cl.** **D7/309; D7/310; D7/311**

FIG. 2 is a front elevational view thereof;

[58] **Field of Search** D7/307, 310, 311, D7/305; 99/304, 306, 275, 286

FIG. 3 is a right side elevational view thereof;

FIG. 4 is a rear view thereof;

FIG. 5 is a left side elevational view thereof;

FIG. 6 is a top plan view thereof; and,

FIG. 7 is a bottom plan view thereof.

[56] **References Cited**

U.S. PATENT DOCUMENTS

D. 296,971 8/1988 Stutzer D7/309
D. 307,754 5/1990 Osrow et al. D7/309 X
D. 371,270 7/1996 Bell et al. D7/309

1 Claim, 4 Drawing Sheets

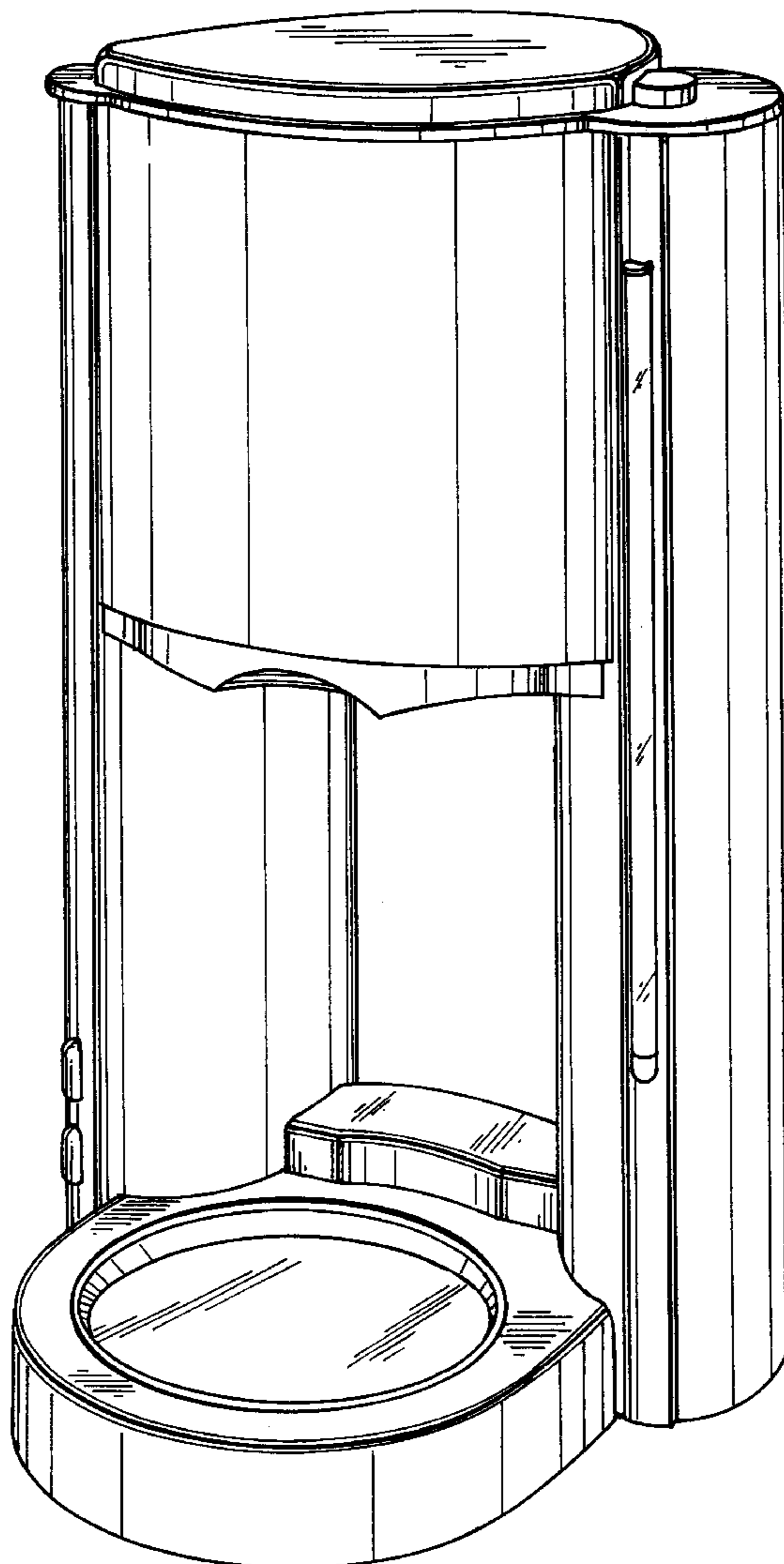


FIG. 1

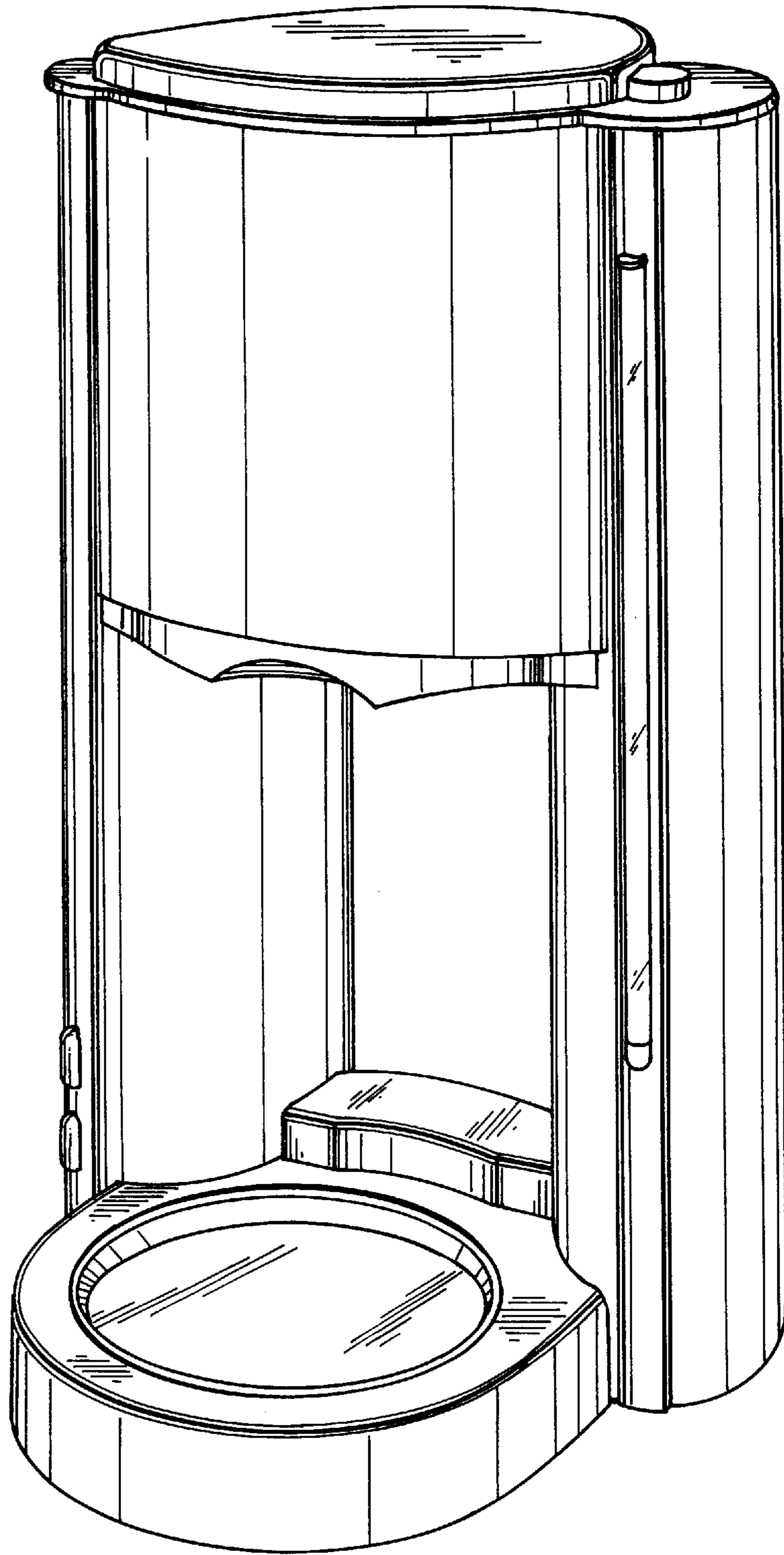


FIG. 3

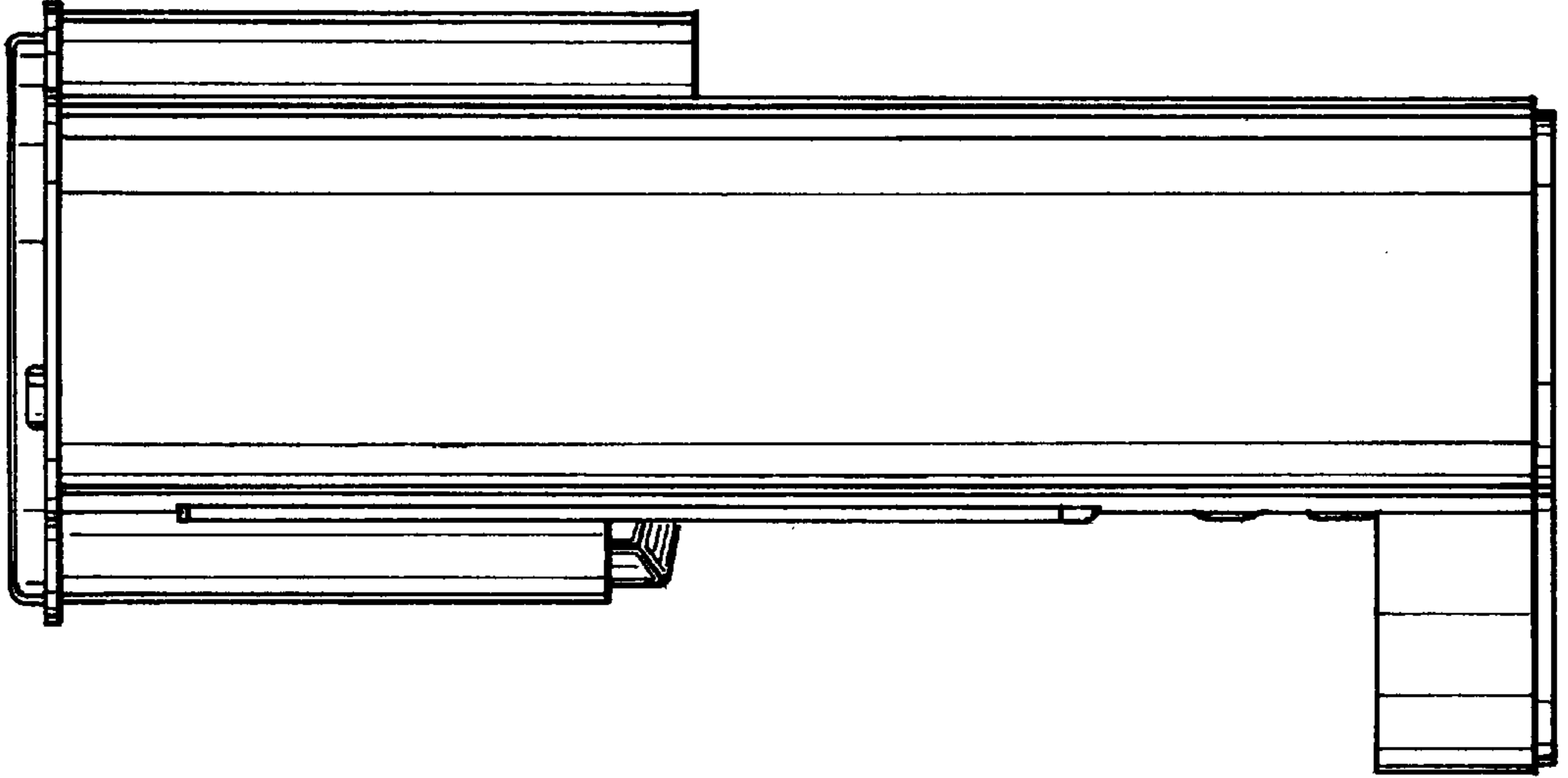


FIG. 2

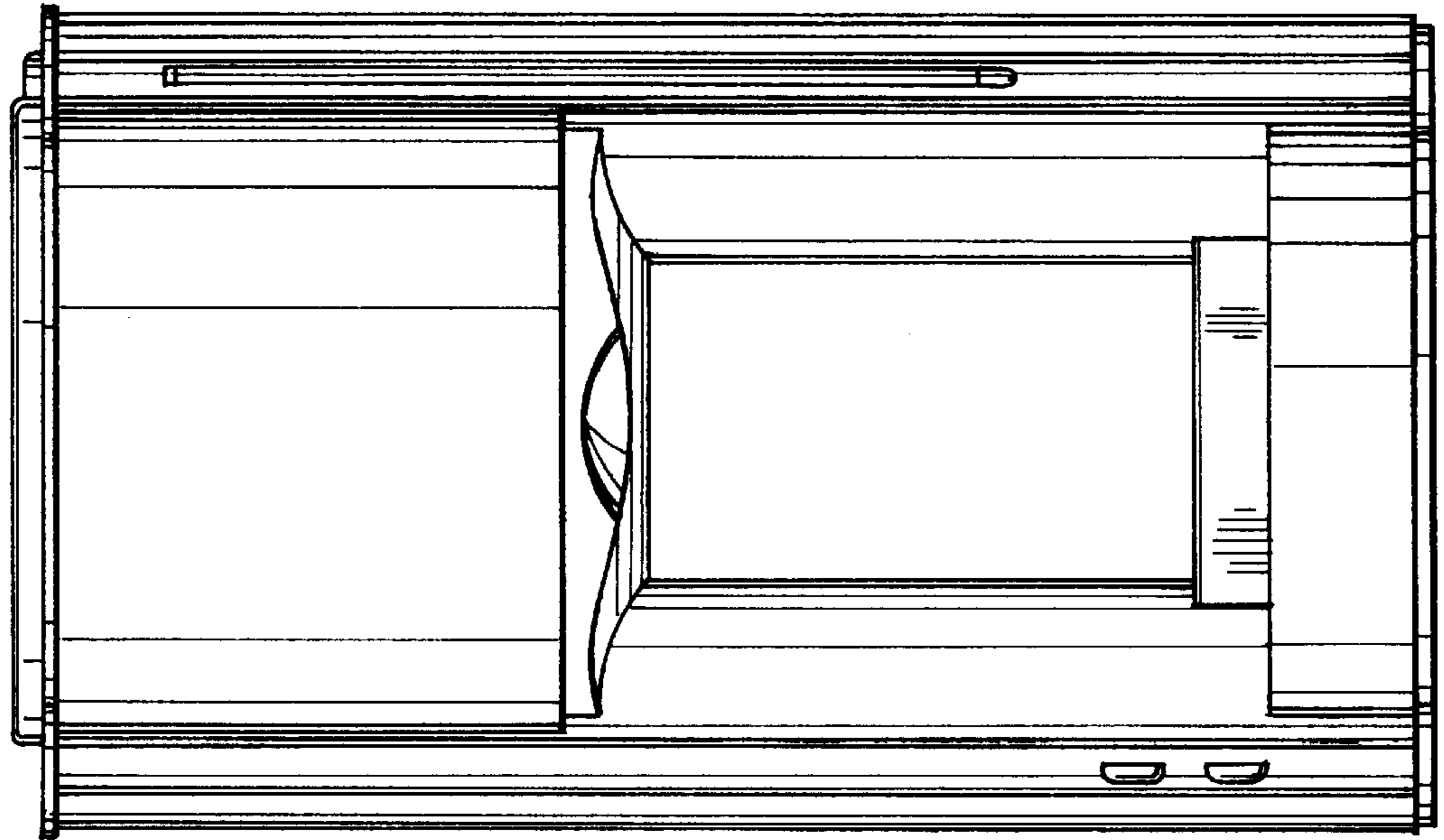


FIG. 5

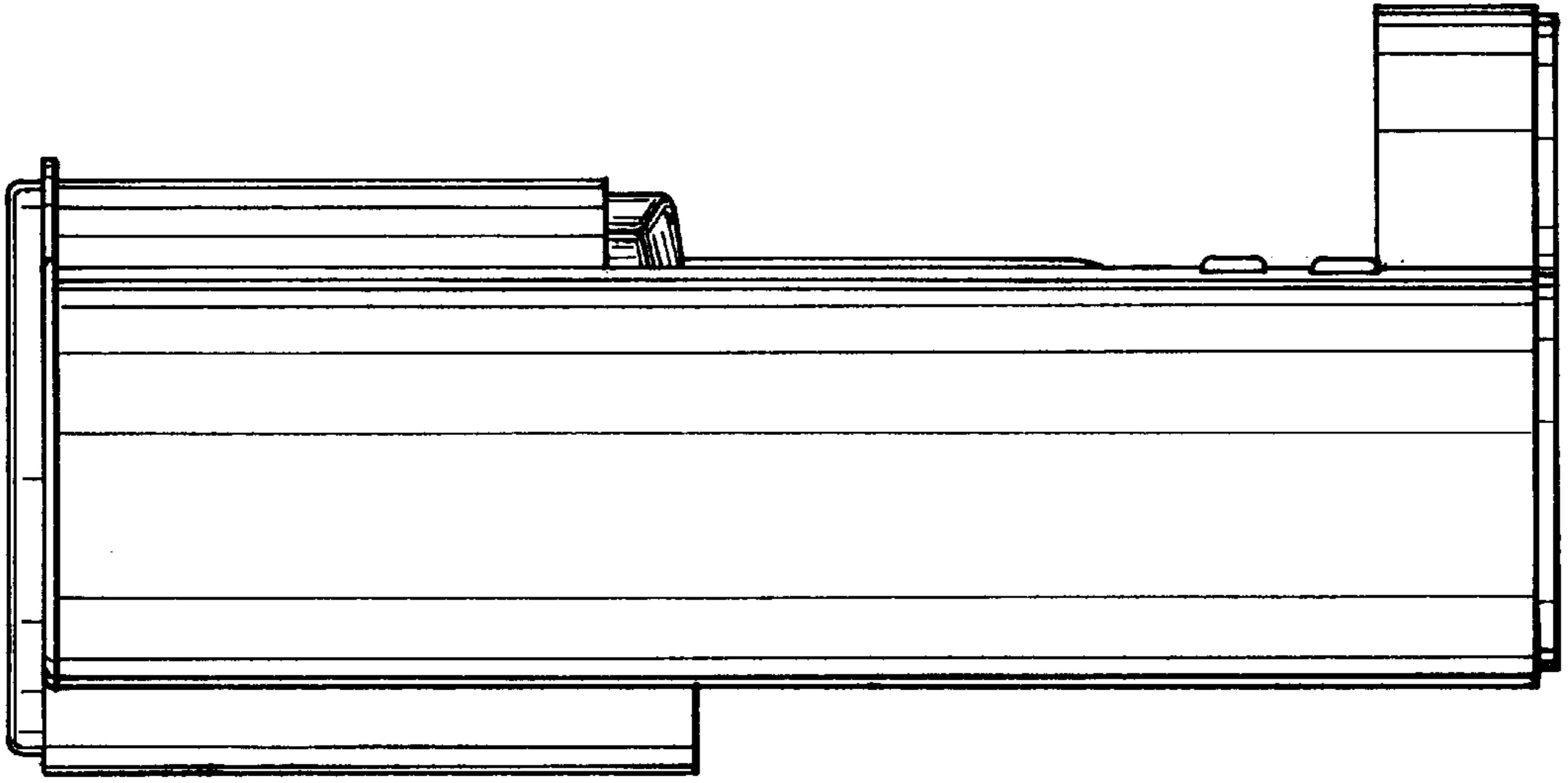


FIG. 4

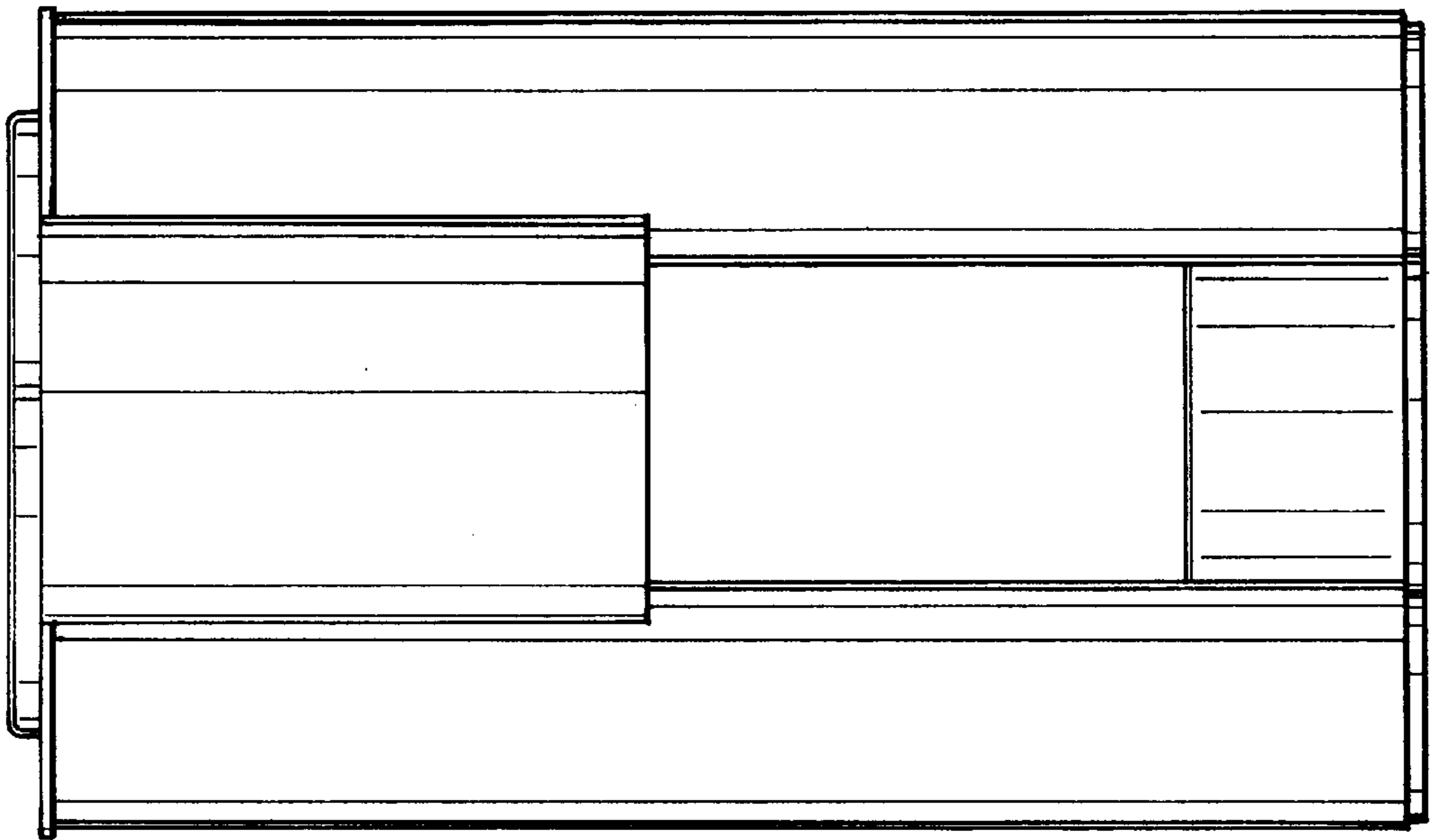


FIG. 6

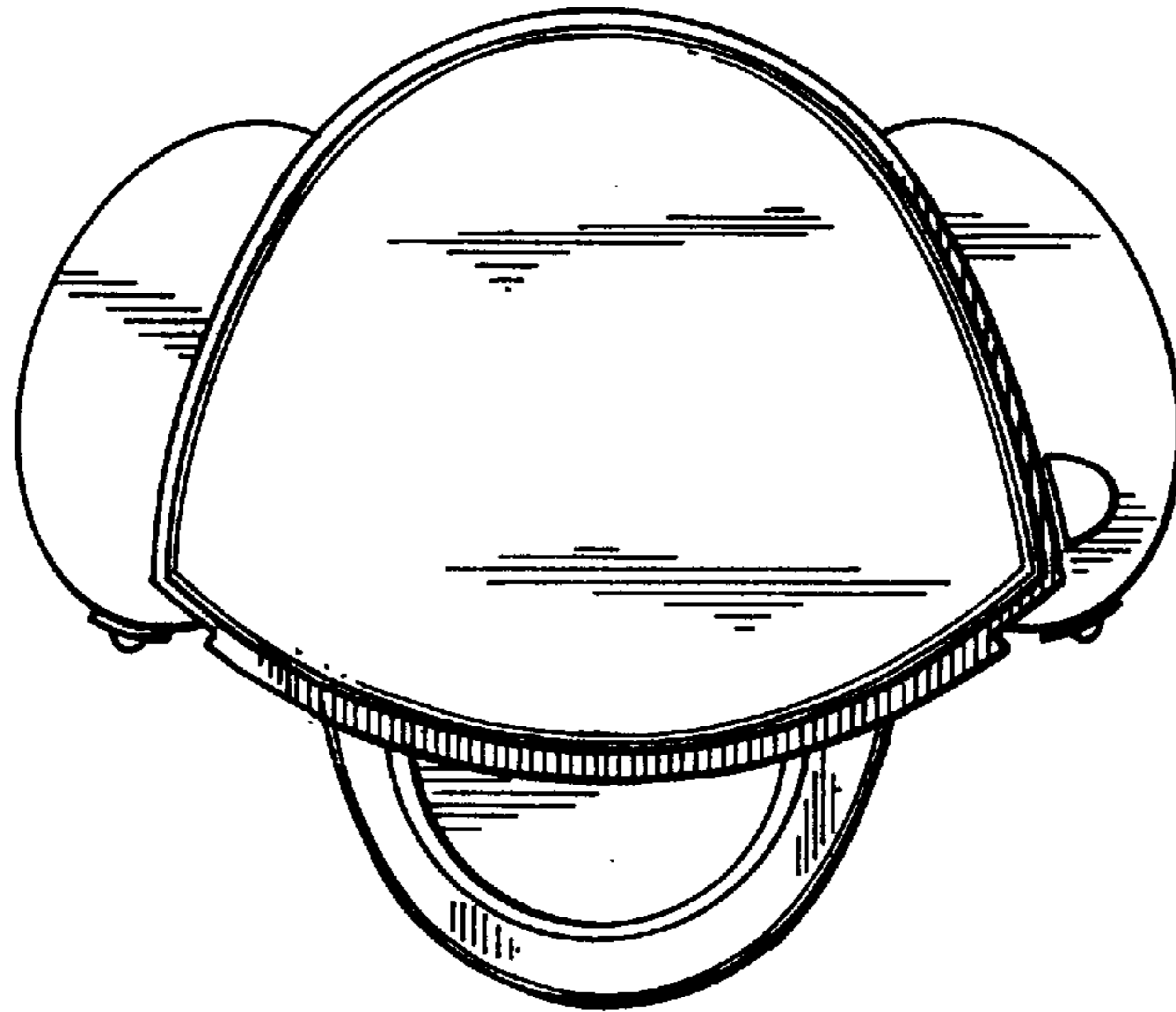


FIG. 7

