



US00D399692S

United States Patent [19]

Wilcox

[11] Patent Number: Des. 399,692

[45] Date of Patent: **Oct. 20, 1998

[54] **COMBINED SHELF FOR BELT AND TIE HANGERS**

[75] Inventor: Jay P. Wilcox, Cedarburg, Wis.

[73] Assignee: Allen-Edmonds Shoe Corporation, Port Washington, Wis.

[**] Term: 14 Years

[21] Appl. No.: 53,493

[22] Filed: Apr. 24, 1996

[51] LOC (6) Cl. 06-04

[52] U.S. Cl. D6/567

[58] Field of Search D6/553, 567, 572; D8/373, 395; 248/214; 211/87, 105.1

[56] **References Cited**

U.S. PATENT DOCUMENTS

D. 337,912	8/1993	Silverberg	D6/567
D. 346,522	5/1994	Engel	D6/567
D. 364,796	12/1995	Yates	D6/567
3,189,308	6/1965	Schaefer	124/214

Primary Examiner—Marcus A. Jackson
Attorney, Agent, or Firm—Andrus, Sceales, Starke & Sawall

[57] **CLAIM**

The ornamental design for a combined shelf for belt and tie hangers, as shown and described.

DESCRIPTION

FIG. 1 is a front perspective view of a combined shelf for

belt and tie hangers showing my new design;

FIG. 2 is a front elevational view thereof;

FIG. 3 is a rear elevational view thereof, the rear elevational view of the embodiments of FIGS. 7 and 11 being identical;

FIG. 4 is a top plan view thereof, the top plan view of the embodiments of FIGS. 7 and 11 being identical;

FIG. 5 is a bottom plan view thereof;

FIG. 6 is a right side elevational view thereof, the left side elevation view being identical;

FIG. 7 is a front perspective view of another embodiment of FIG. 1;

FIG. 8 is a front elevation view of the FIG. 7 embodiment;

FIG. 9 is a bottom plan view of the FIG. 7 embodiment;

FIG. 10 is a right side elevational view of the FIG. 7 embodiment, the left side elevational view being identical;

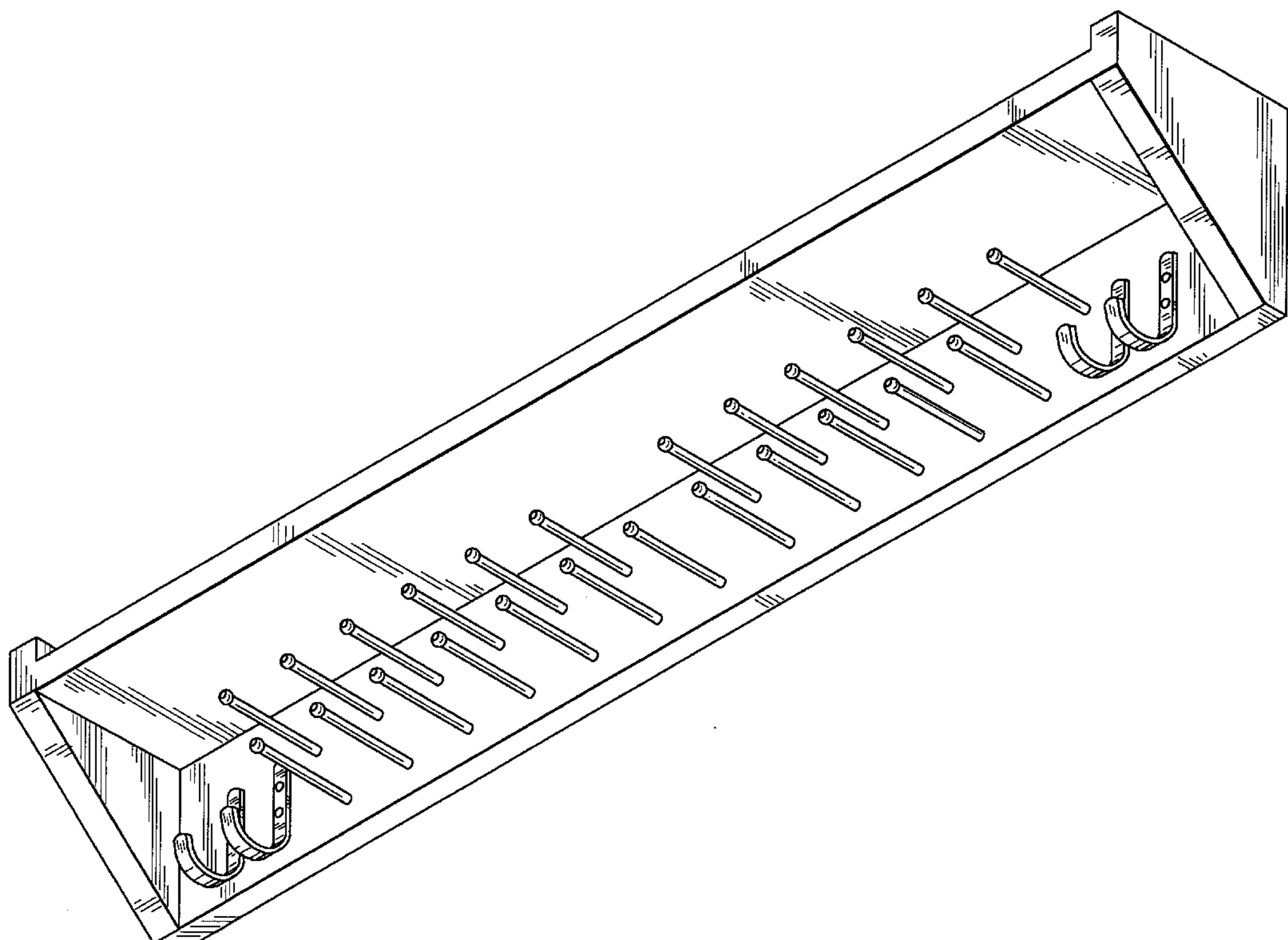
FIG. 11 is a front perspective view of a further embodiment of FIG. 1;

FIG. 12 is a front elevational view of the FIG. 11 embodiment;

FIG. 13 is a bottom plan view of the FIG. 11 embodiment; and,

FIG. 14 is a right side elevational view of the FIG. 11 embodiment, the left side elevational view being identical.

1 Claim, 7 Drawing Sheets



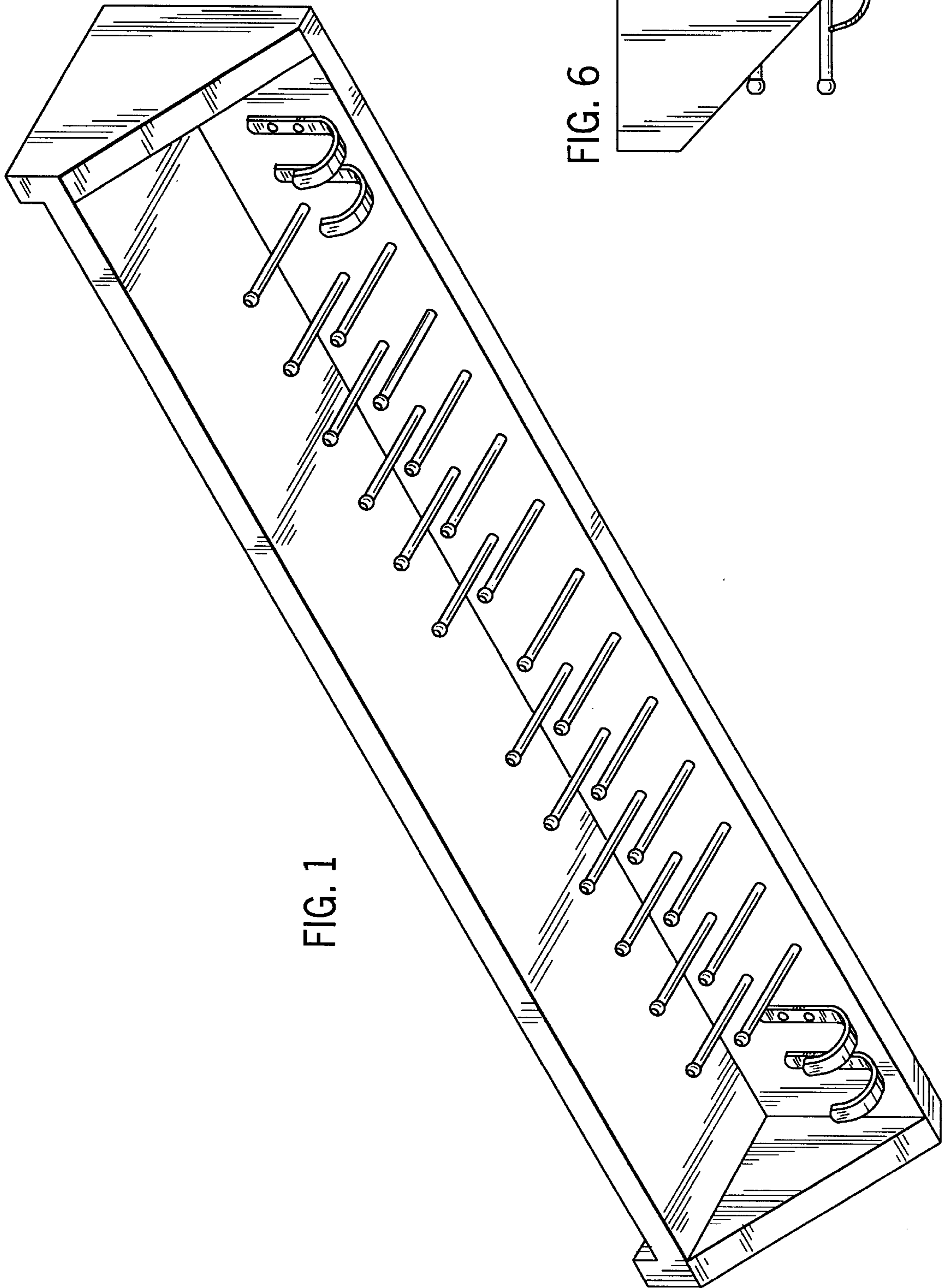


FIG. 1

FIG. 6

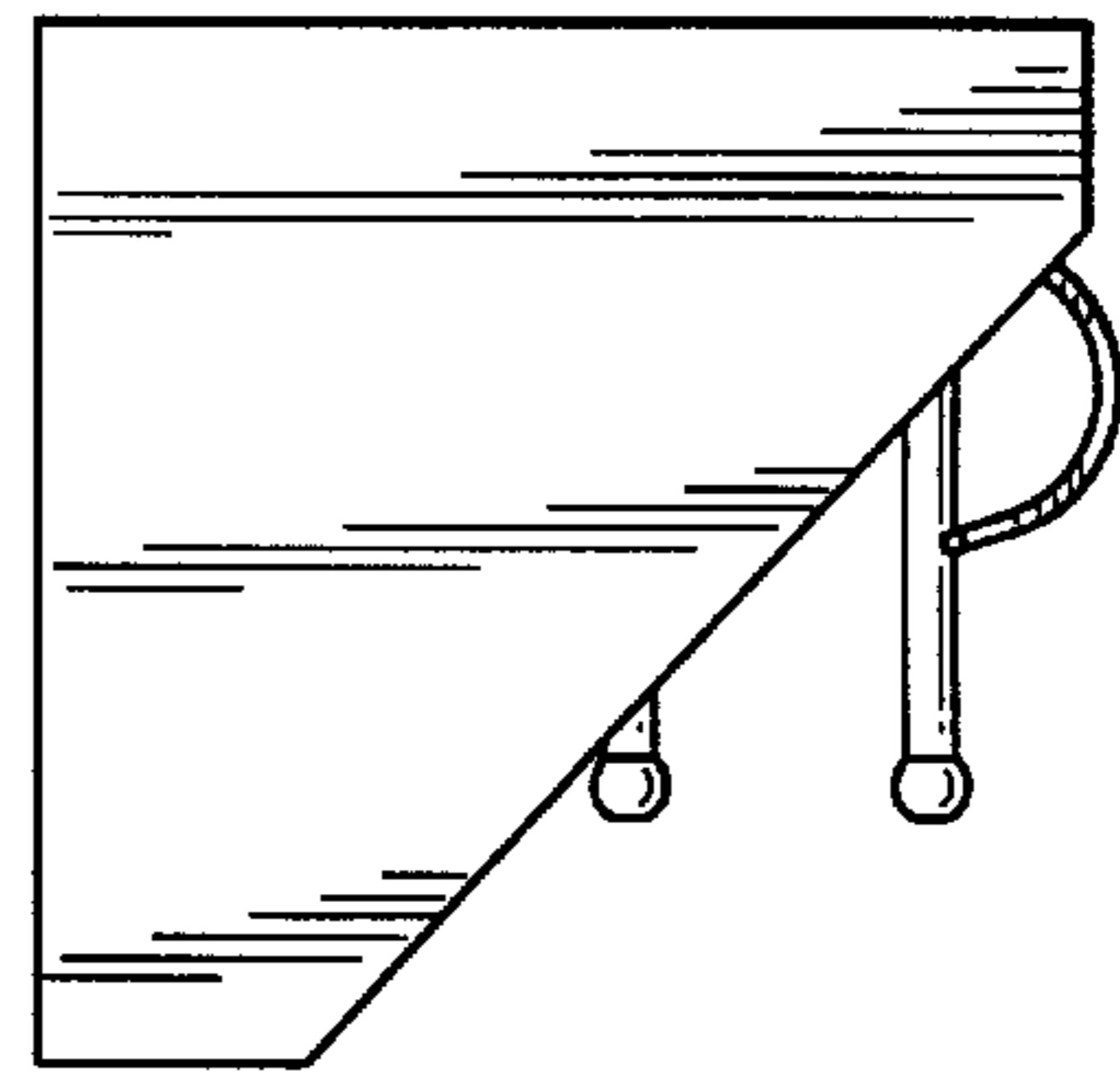


FIG. 2

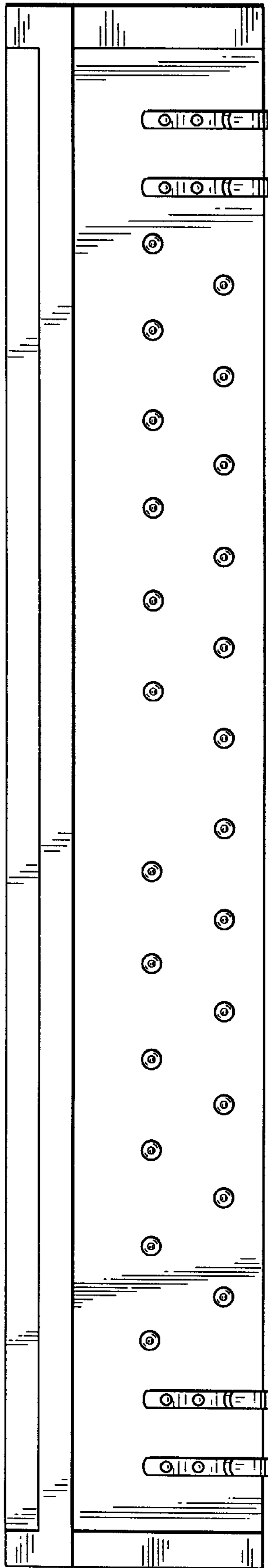


FIG. 3

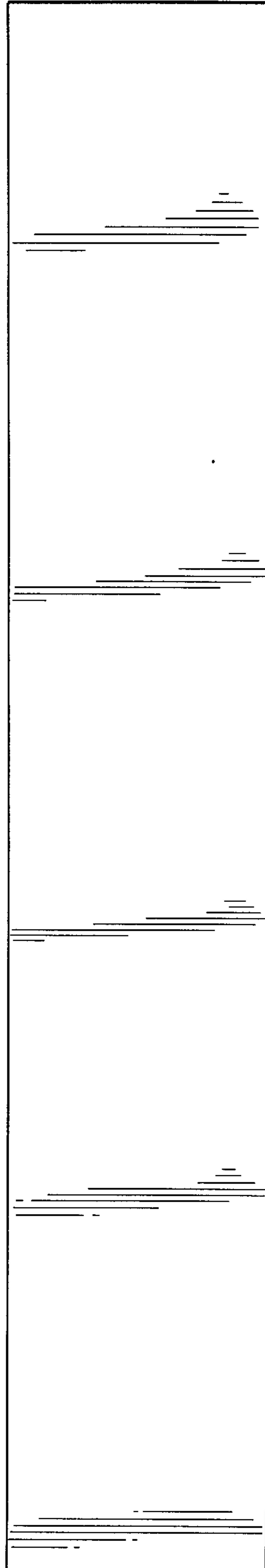


FIG. 4

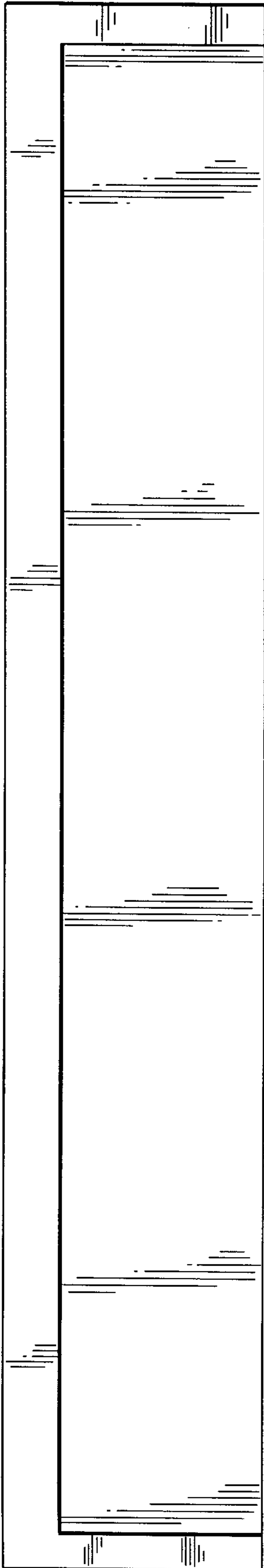
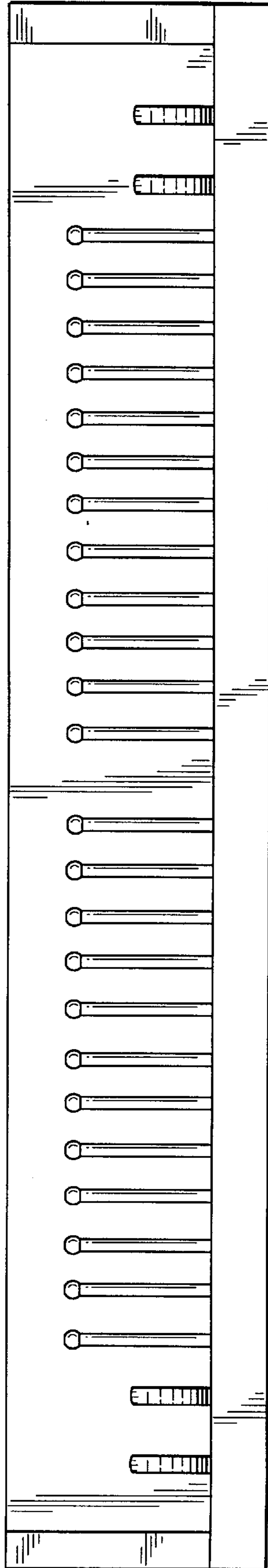


FIG. 5



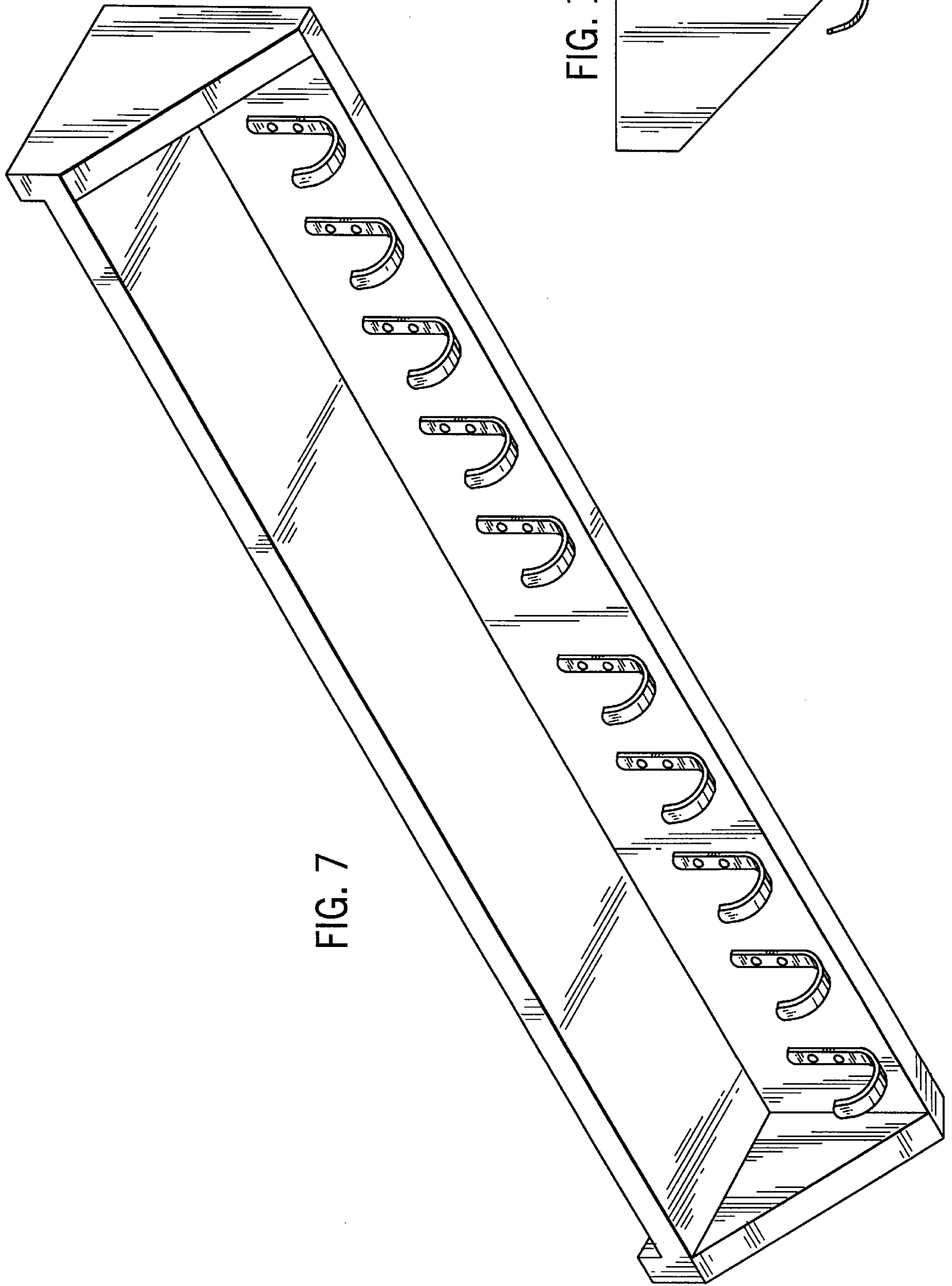
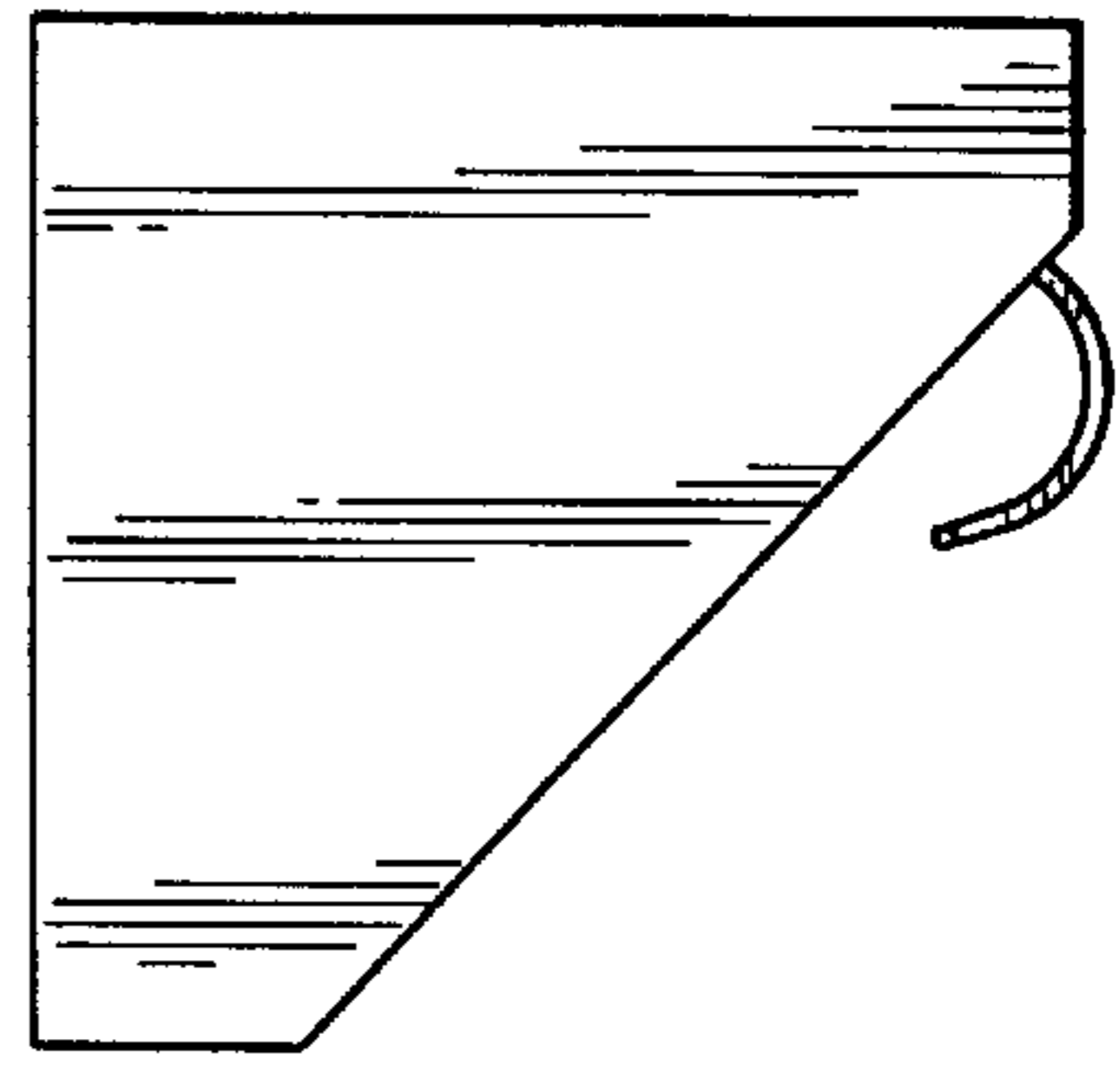


FIG. 7

FIG. 10



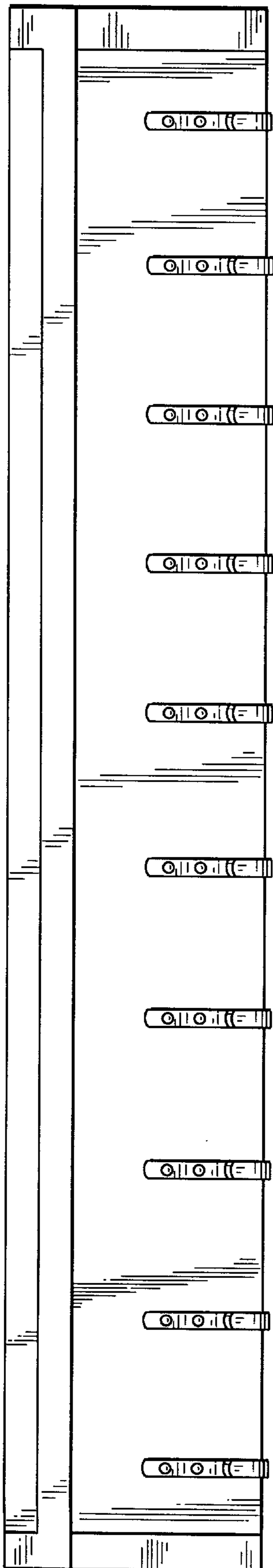


FIG. 8

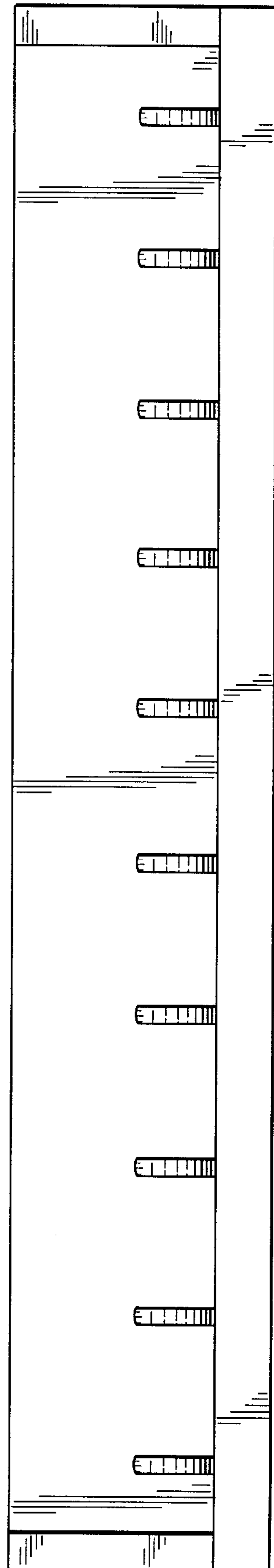


FIG. 9

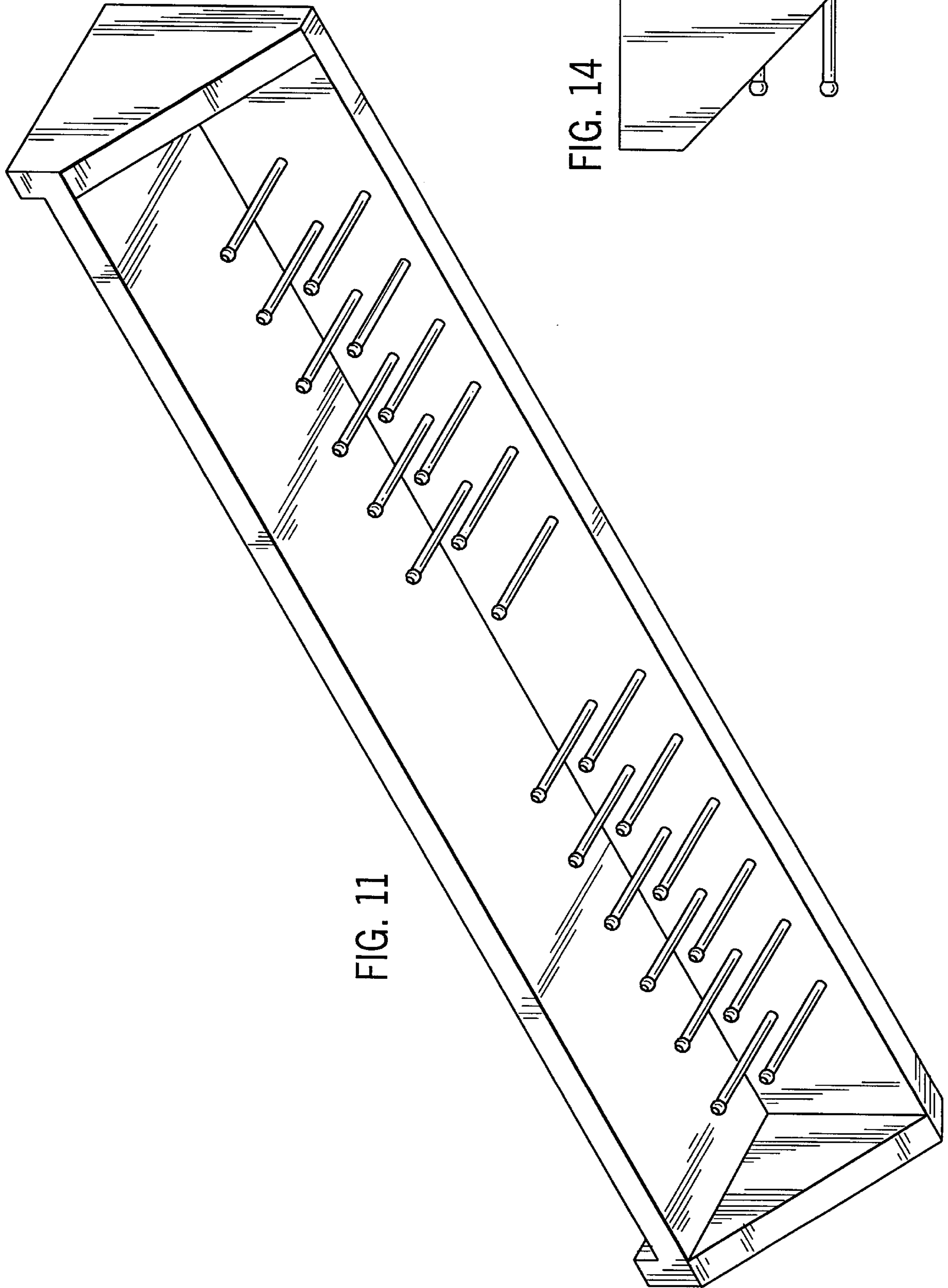


FIG. 11

FIG. 14

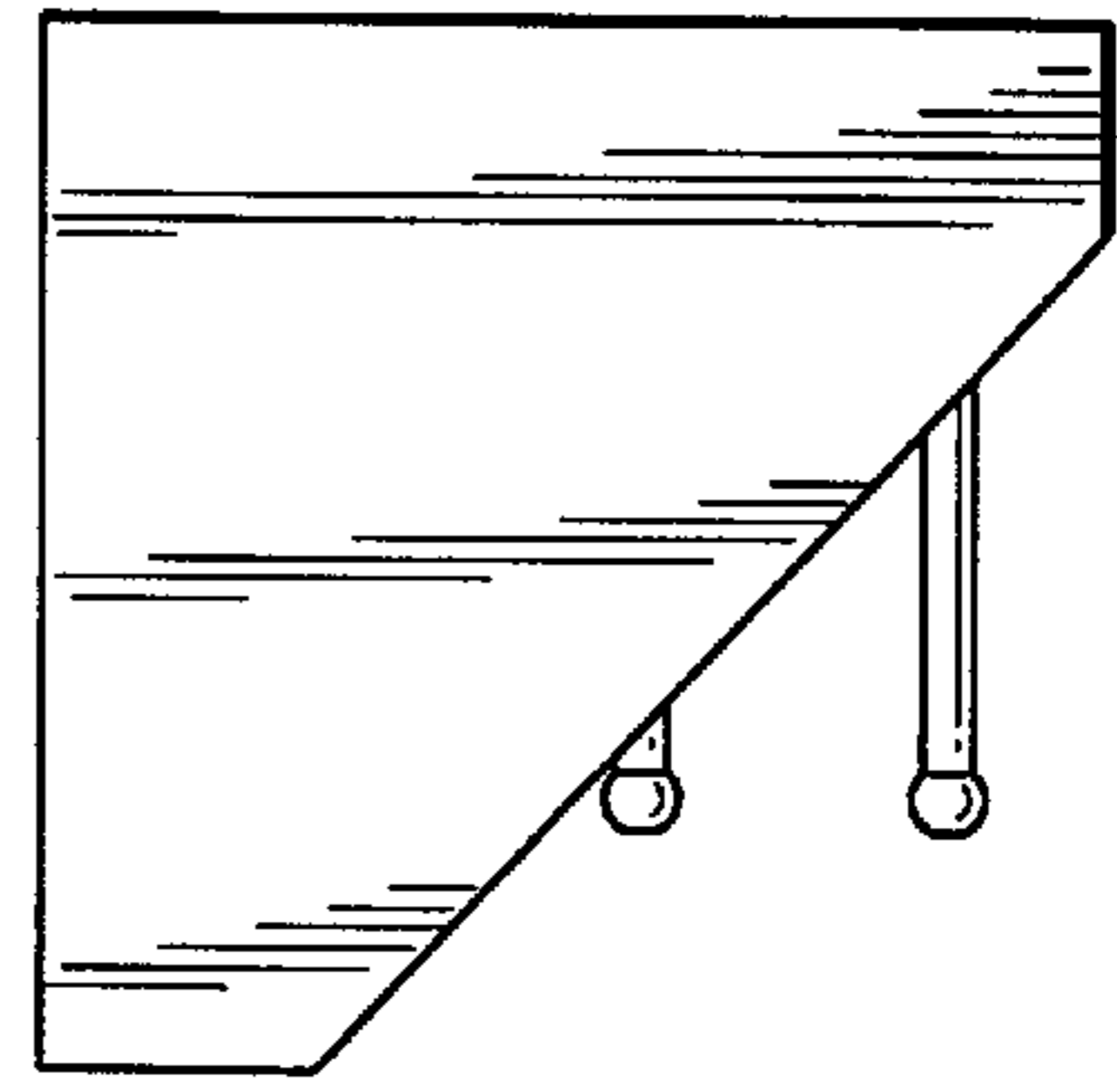


FIG. 12

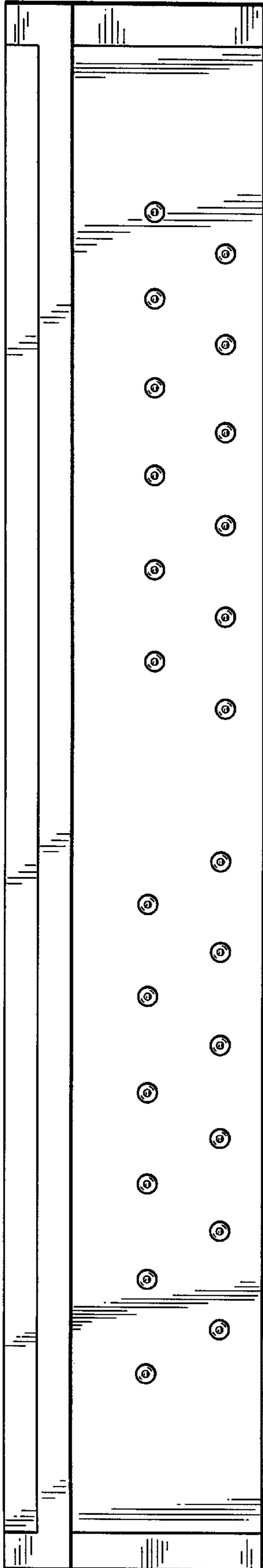


FIG. 13

