



US00D399688S

United States Patent [19]
Freeman

[11] **Patent Number: Des. 399,688**

[45] **Date of Patent: **Oct. 20, 1998**

[54] **SOAP DISH**

[76] Inventor: **Scott Freeman**, 15573 Commerce La.,
Huntington Beach, Calif. 92649

[**] Term: **14 Years**

[21] Appl. No.: **80,277**

[22] Filed: **Dec. 1, 1997**

[51] **LOC (6) Cl.** **07-07**

[52] **U.S. Cl.** **D6/536**

[58] **Field of Search** D6/536-540; D28/76;
4/628-656; 206/77.1, 565, 559, 557, 561;
248/309.1

[56] **References Cited**

U.S. PATENT DOCUMENTS

D. 163,716 6/1951 Simmons D6/536

D. 259,905 7/1981 Bell D6/536
D. 360,093 7/1995 Bigwood D6/536
D. 366,795 2/1996 Kuan D6/536
D. 386,029 11/1997 Hsu D6/536

Primary Examiner—Brian N. Vinson
Attorney, Agent, or Firm—Stetina Brunda Garred &
Brucker

[57] **CLAIM**

The ornamental design for a soap dish, as shown and described.

DESCRIPTION

FIG. 1 is a front top perspective view of the soap dish of the present invention showing my new design; FIG. 2 is an end elevational view thereof; and, FIG. 3 is a side elevational view thereof.

1 Claim, 1 Drawing Sheet

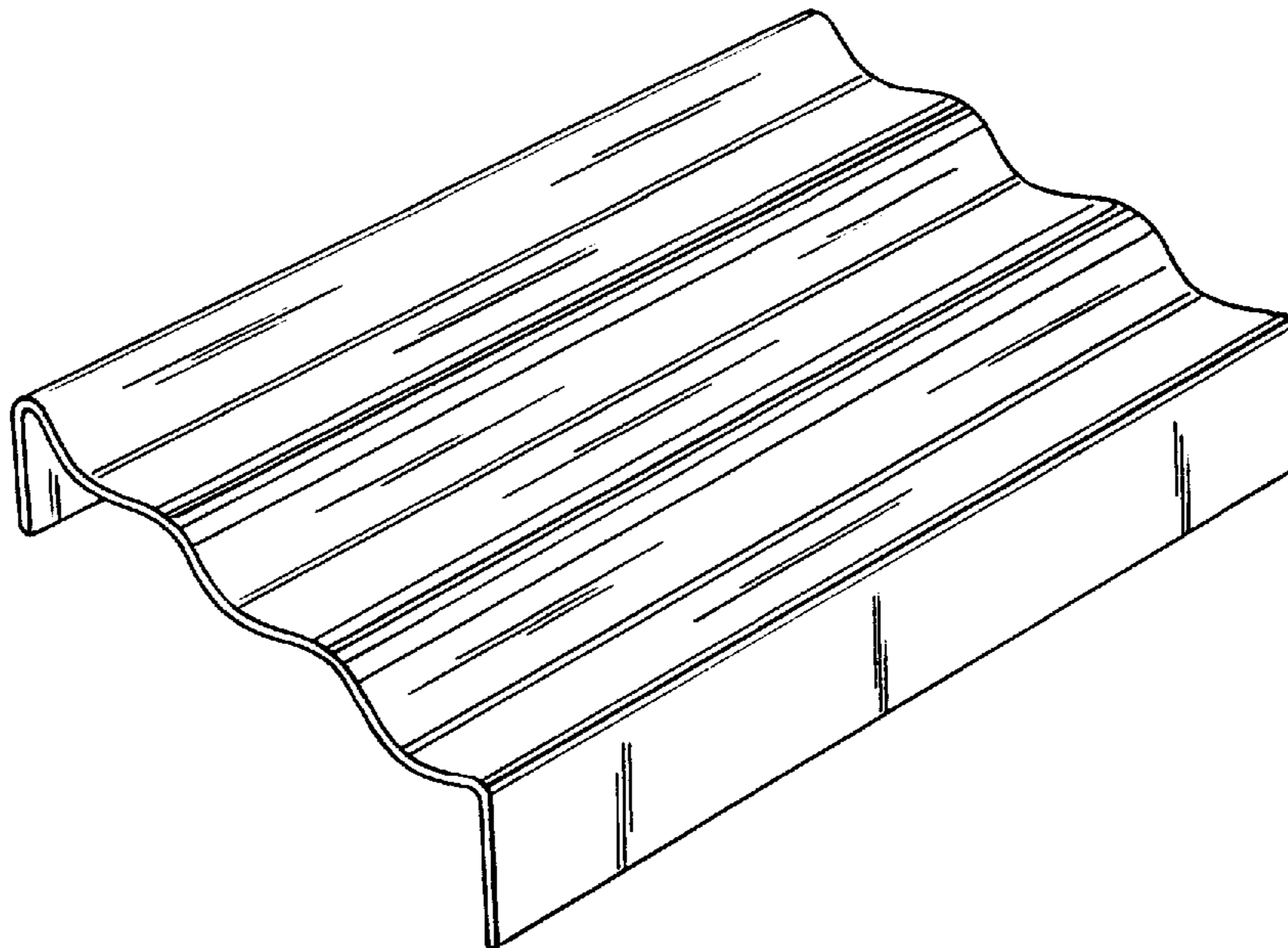


Fig. 1

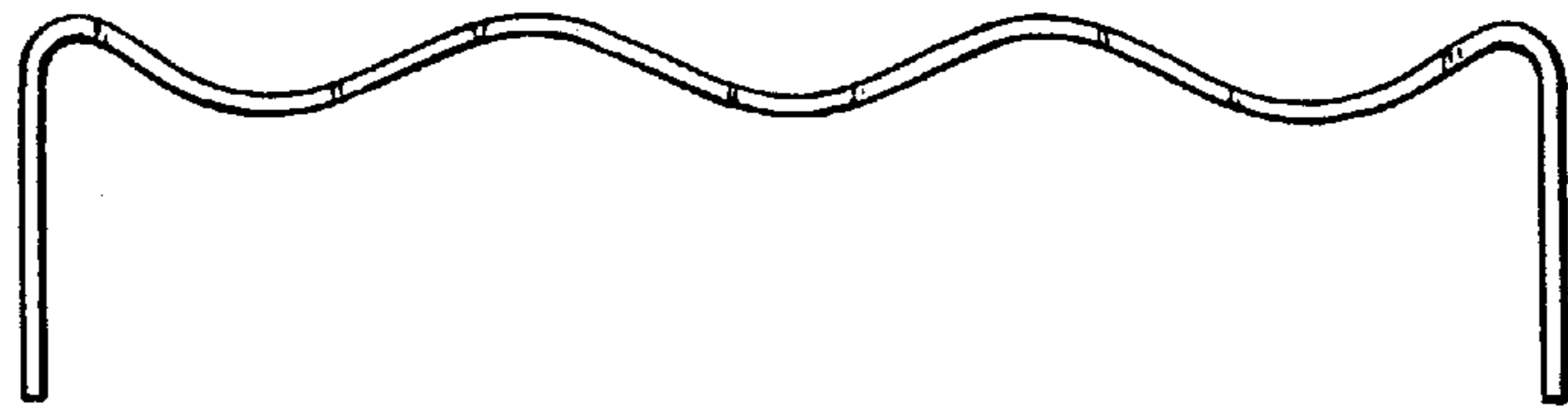
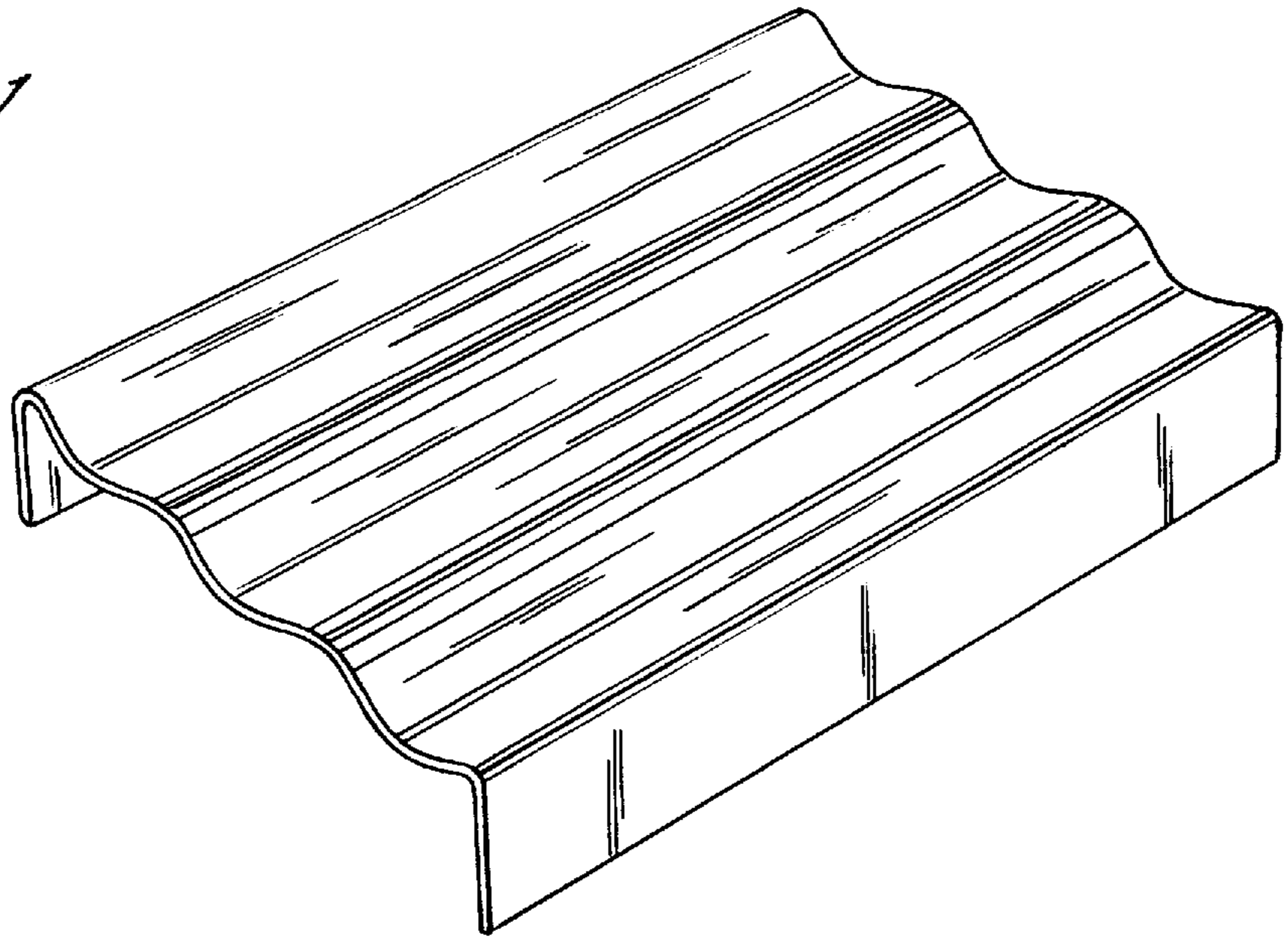


Fig. 2

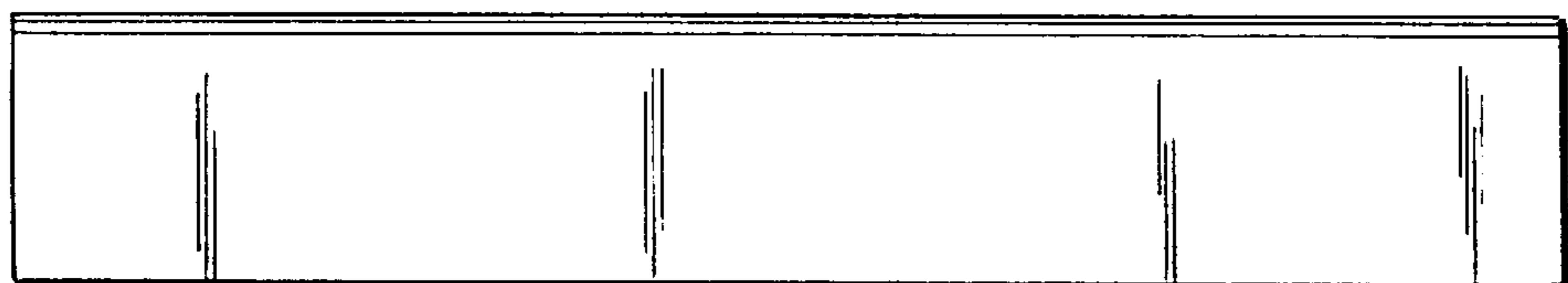


Fig. 3