



US00D399684S

United States Patent [19] Glass

[11] **Patent Number: Des. 399,684**

[45] **Date of Patent: **Oct. 20, 1998**

[54] **TABLE**

D. 340,599 10/1993 Hollington D6/484
D. 354,643 1/1995 Hansel et al. D6/484

[75] Inventor: **Peter Glass**, Napa, Calif.

Primary Examiner—Janice E. Seeger
Attorney, Agent, or Firm—James E. Brunton

[73] Assignee: **Virco Mfg. Corporation**, Torrance, Calif.

[57] **CLAIM**

[**] Term: **14 Years**

The ornamental design for a table, as shown and described.

[21] Appl. No.: **72,172**

DESCRIPTION

[22] Filed: **Jun. 5, 1997**

FIG. 1 is a generally perspective view of a table showing my new design;

[51] **LOC (6) Cl.** **06-03**

FIG. 2 is a top plan view thereof;

[52] **U.S. Cl.** **D6/484; D6/480**

FIG. 3 is a side elevational view thereof the opposite side being identical thereto;

[58] **Field of Search** D6/480-489, 495-499,
D6/429, 423; 108/153, 155, 156, 157, 161;
248/188.1, 188.8

FIG. 4 is an end view thereof the opposite end being identical thereto;

FIG. 5 is a bottom view thereof;

[56] **References Cited**

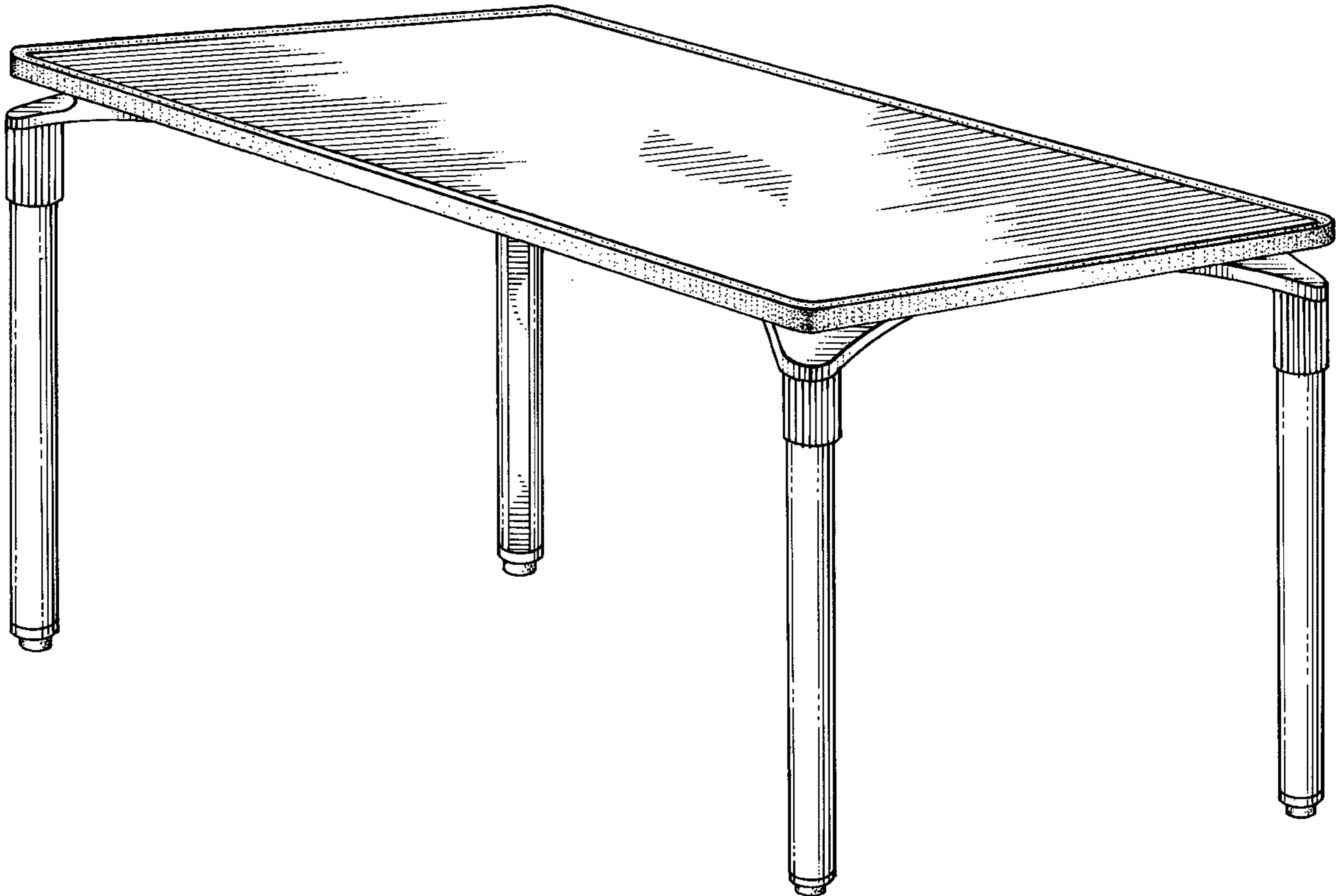
FIG. 6 is an enlarged view taken along lines 6—6 of FIG. 2; and,

U.S. PATENT DOCUMENTS

FIG. 7 is an enlarged view taken along lines 7—7 of FIG. 2.

D. 263,909 4/1982 Adkinson D6/480
D. 294,318 2/1988 Zapf D6/484

1 Claim, 5 Drawing Sheets



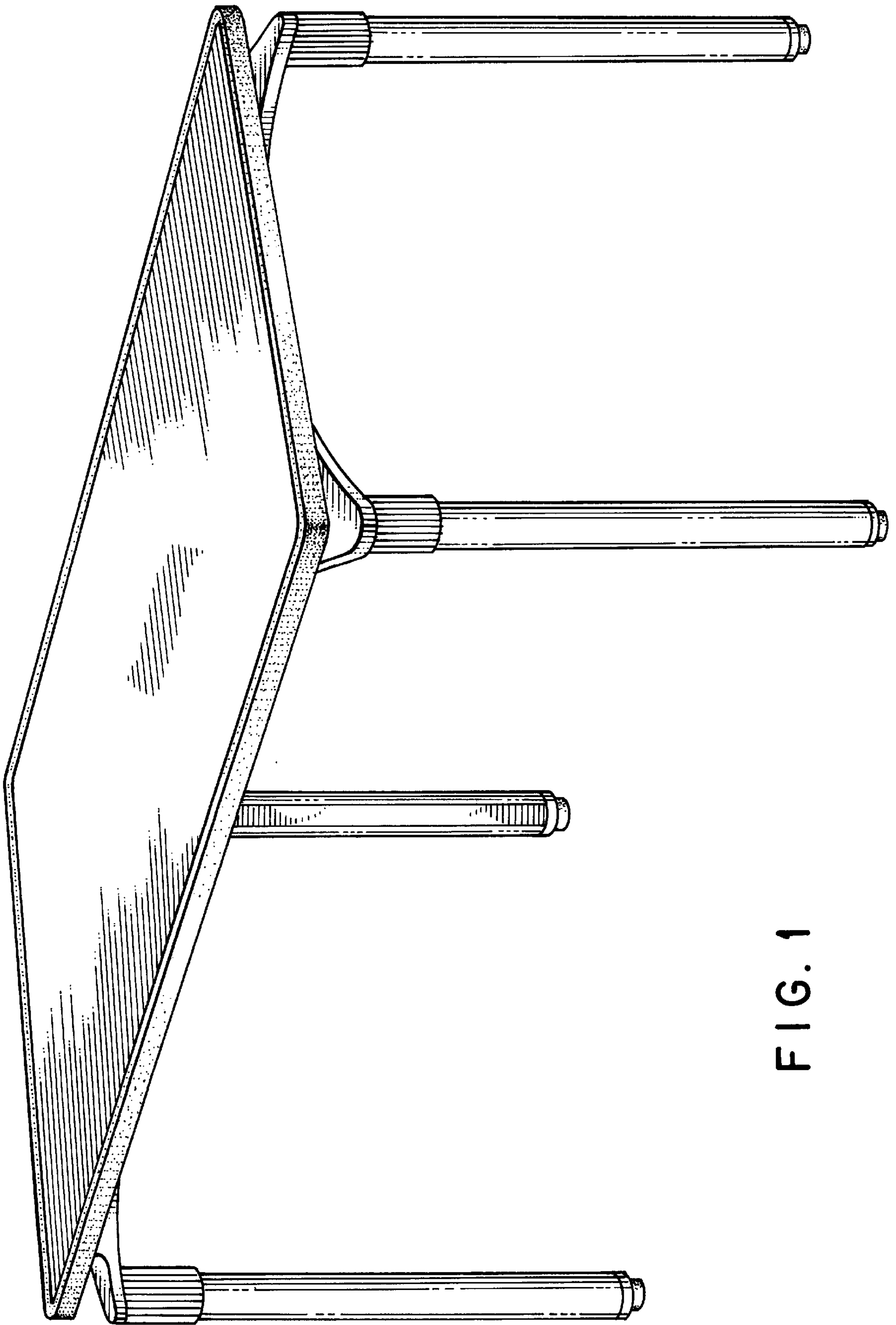


FIG. 1

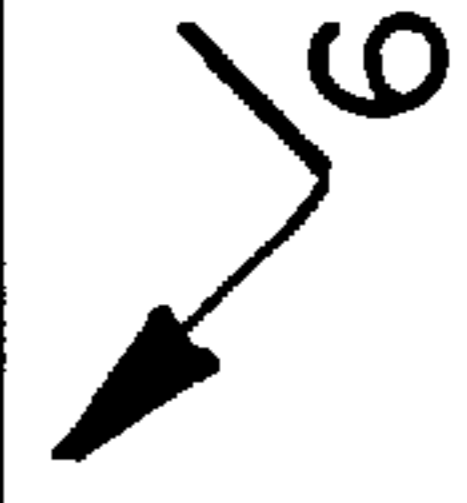
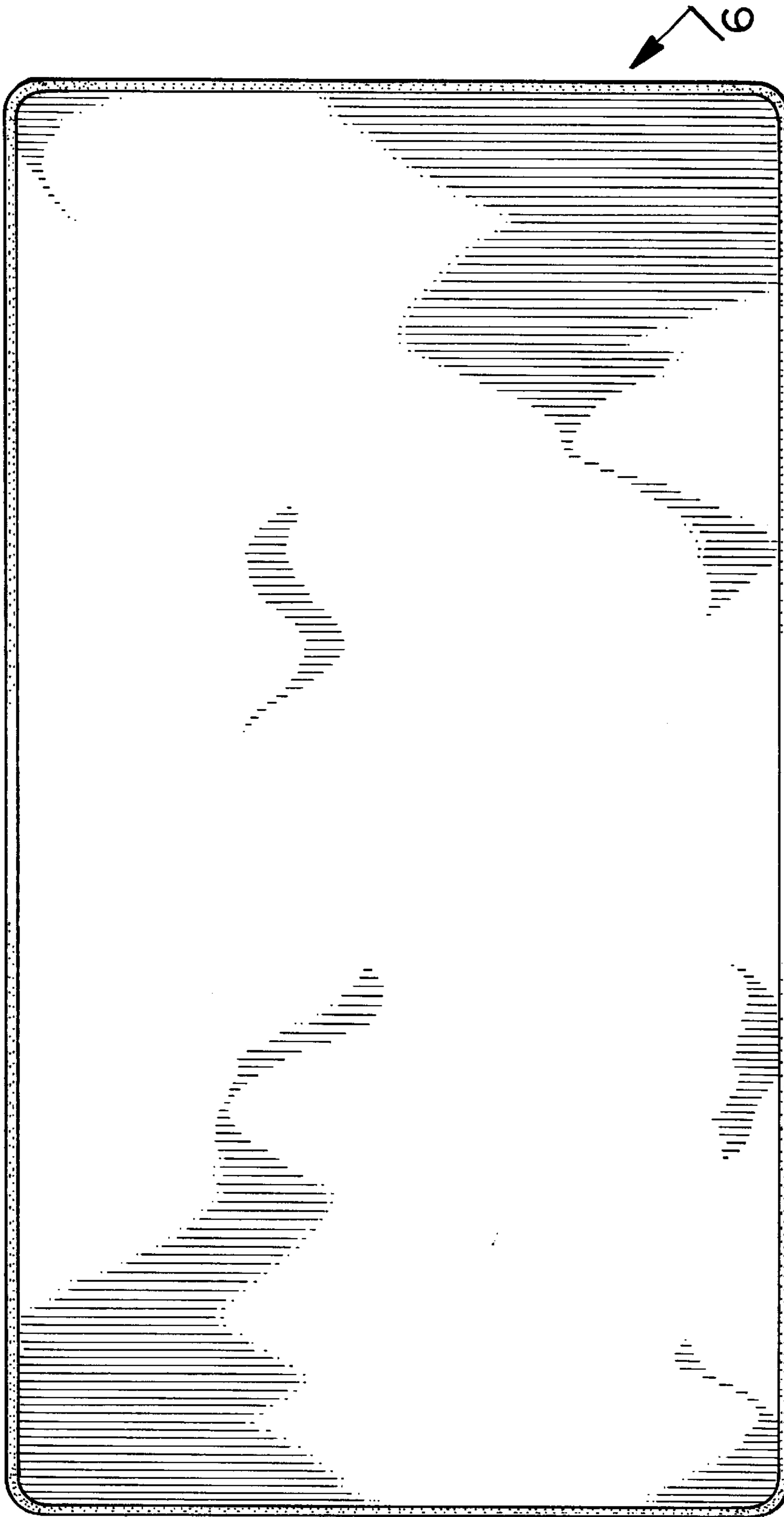
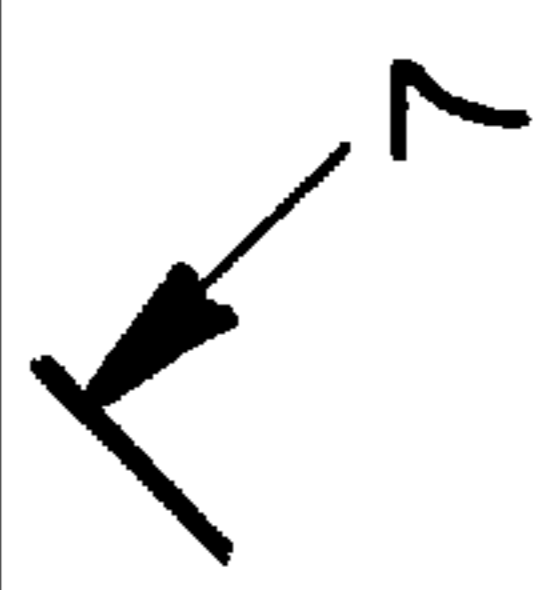


FIG. 2



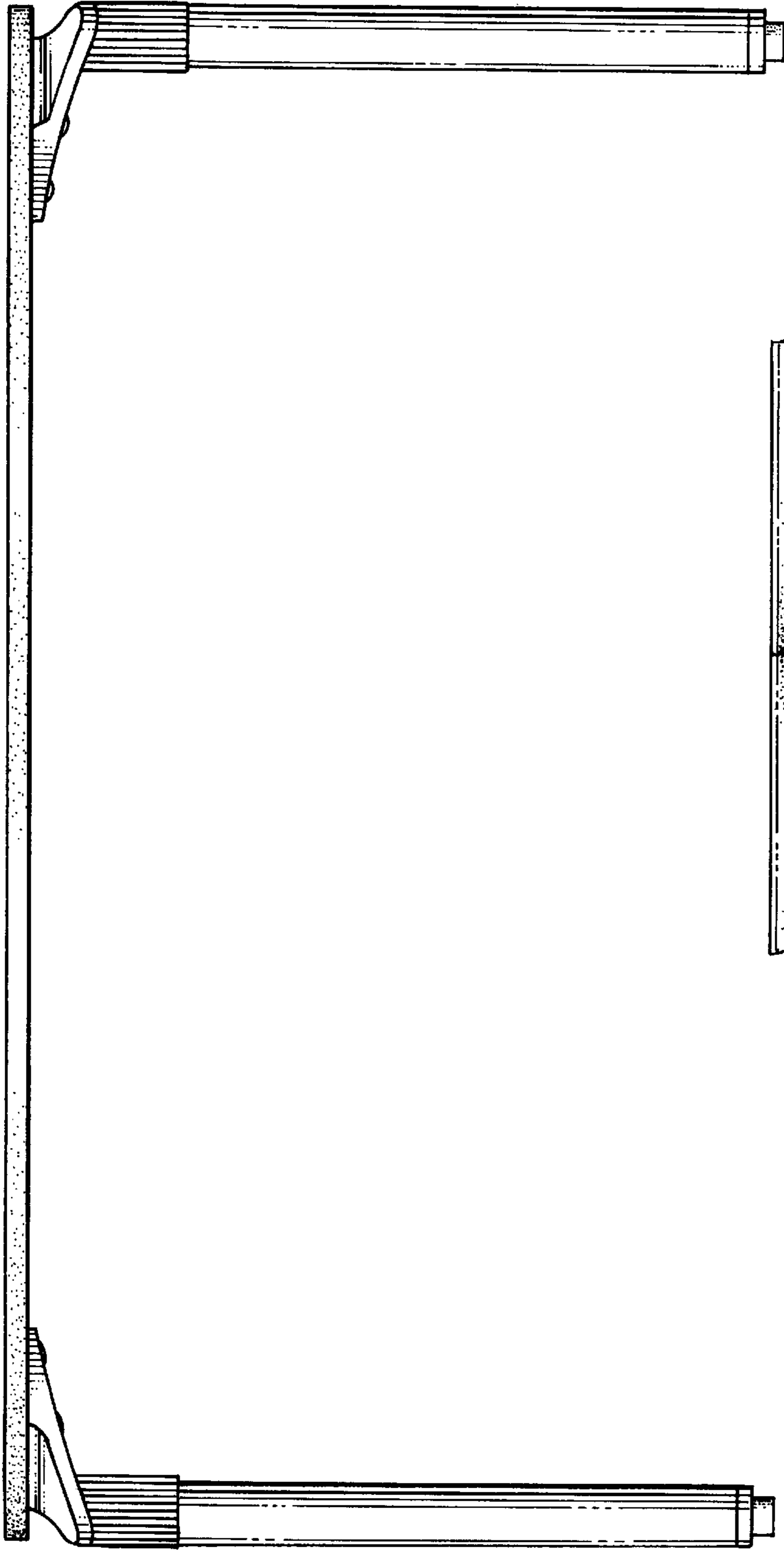


FIG. 3

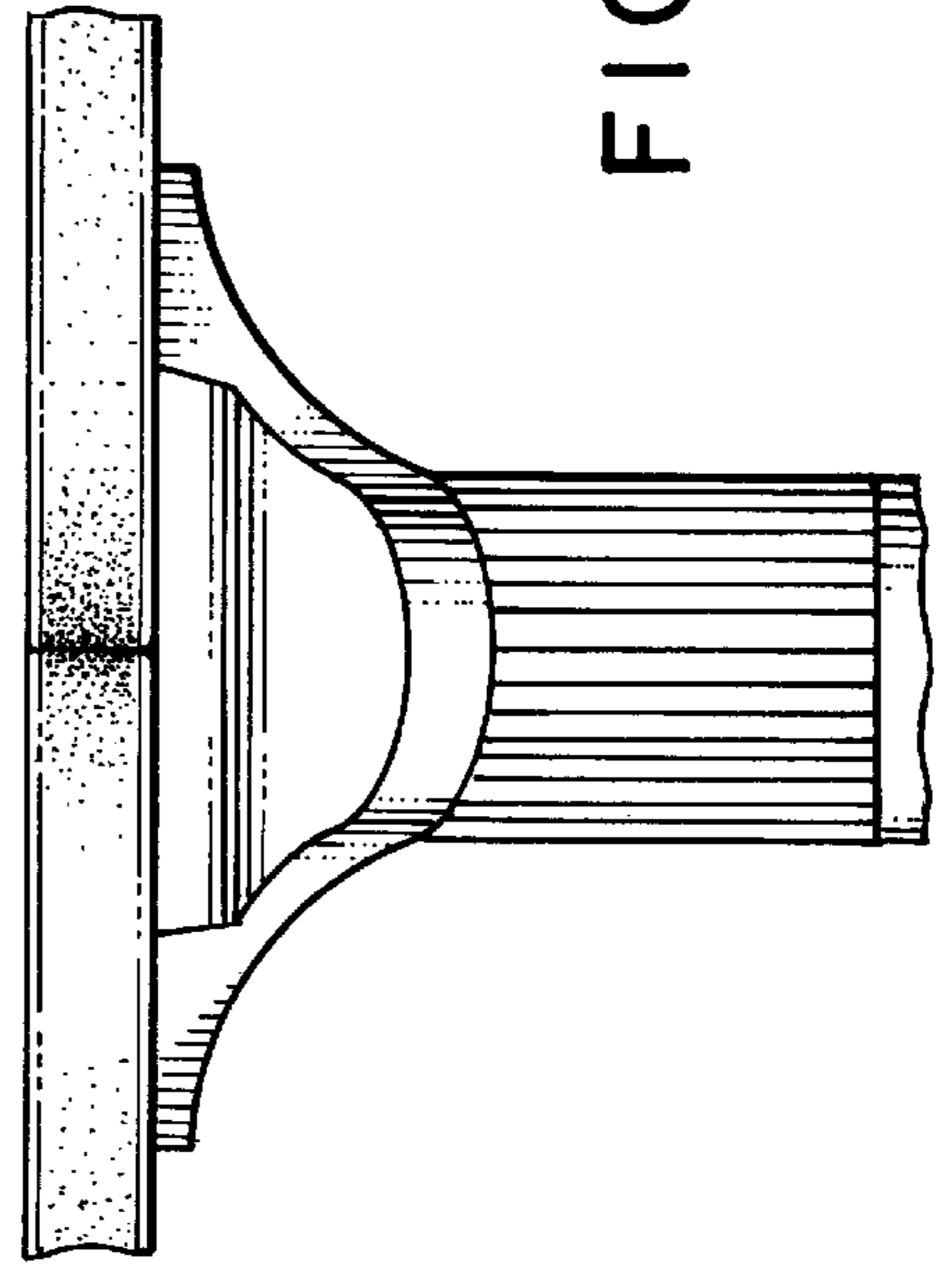


FIG. 6

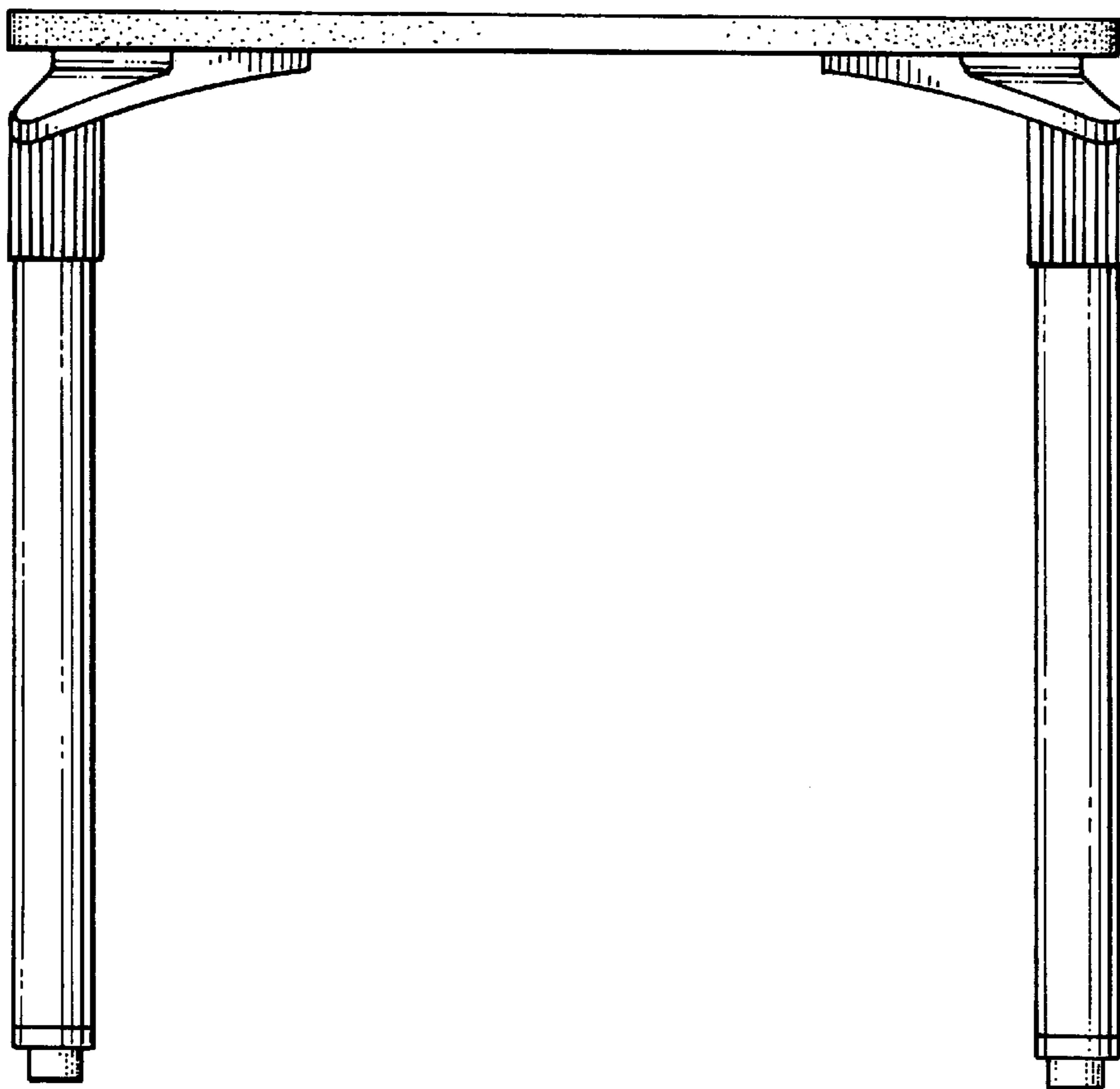


FIG. 4

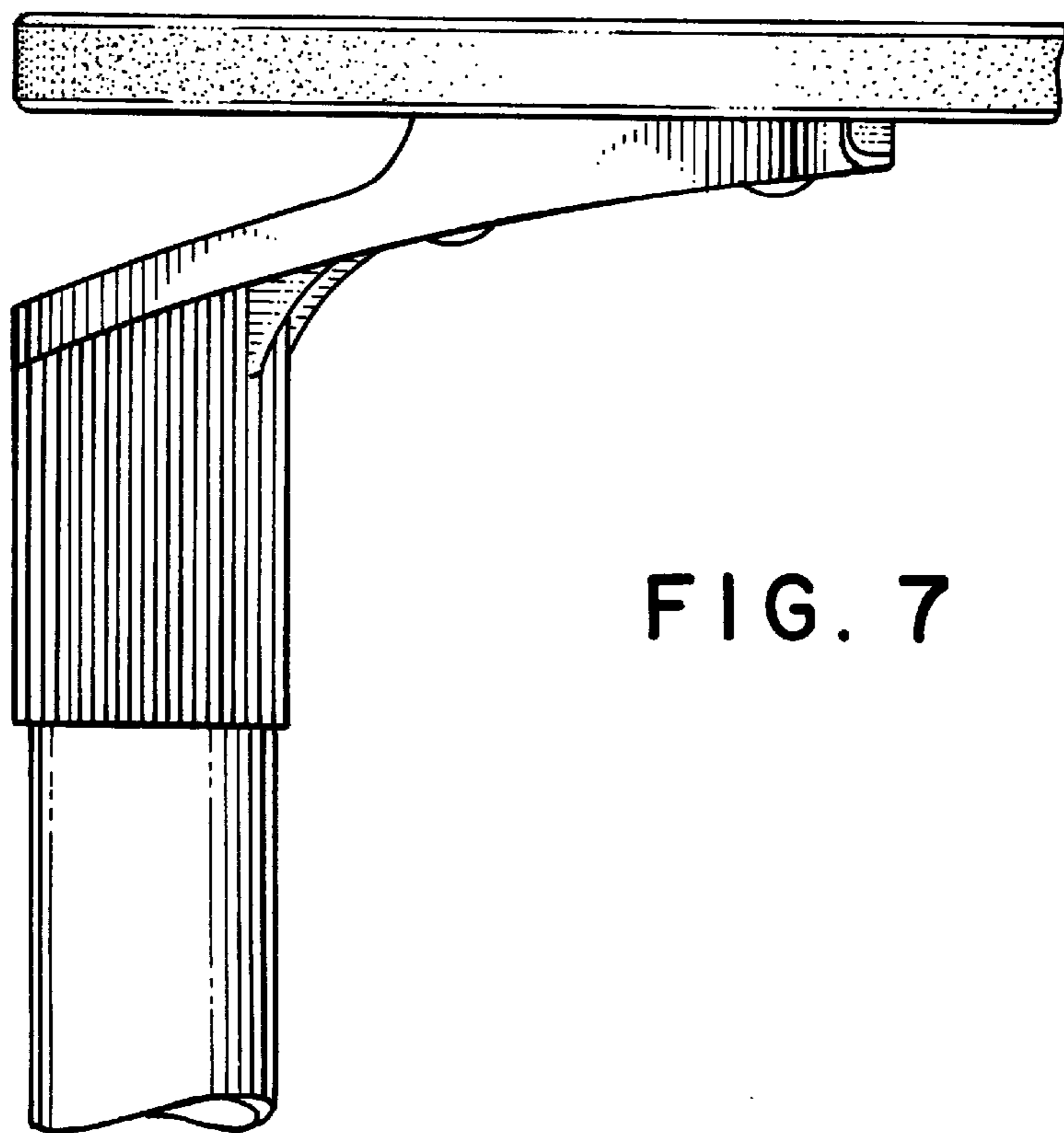


FIG. 7

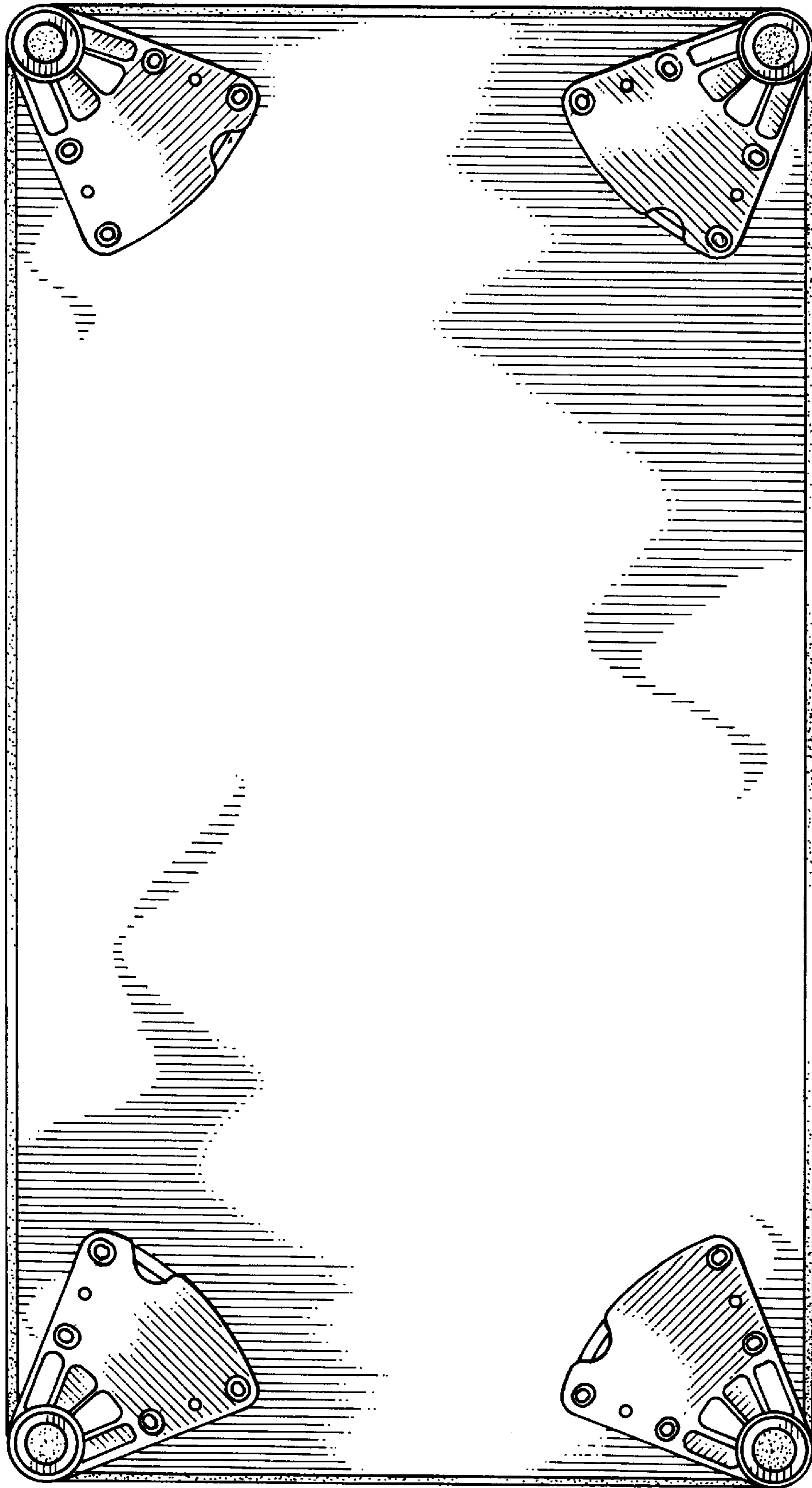


FIG. 5