



US00D399683S

United States Patent [19] Nicklas

[11] **Patent Number: Des. 399,683**

[45] **Date of Patent: **Oct. 20, 1998**

[54] **SMALL WORKSHOP TABLE**

[75] Inventor: **Mike Nicklas**, Lüneburg, Germany

[73] Assignee: **Knürr-Mechanik für die Elektronik
Aktiengesellschaft**, München, Germany

[**] Term: **14 Years**

[21] Appl. No.: **71,694**

[22] Filed: **Jun. 4, 1997**

[30] **Foreign Application Priority Data**

Dec. 5, 1996 [DE] Germany M 96 10 561.5

[51] **LOC (6) Cl.** **06-03**

[52] **U.S. Cl.** **D6/484**

[58] **Field of Search** D6/480-489, 495-499,
D6/429, 423; 108/144, 146, 148, 153, 155-157,
161; 248/188.1, 188.8

[56] **References Cited**

U.S. PATENT DOCUMENTS

D. 251,167 2/1979 Isles D6/483

D. 321,447 11/1991 Newhouse D6/484
D. 336,394 6/1993 Ball D6/487
D. 372,812 8/1996 Graziano et al. D6/429
D. 379,887 6/1997 Muller-Deisig et al. D6/484
4,248,161 2/1981 Adair et al. 108/5

Primary Examiner—Janice E. Seeger
Attorney, Agent, or Firm—Evenson, McKeown, Edwards &
Lenahan, PLLC

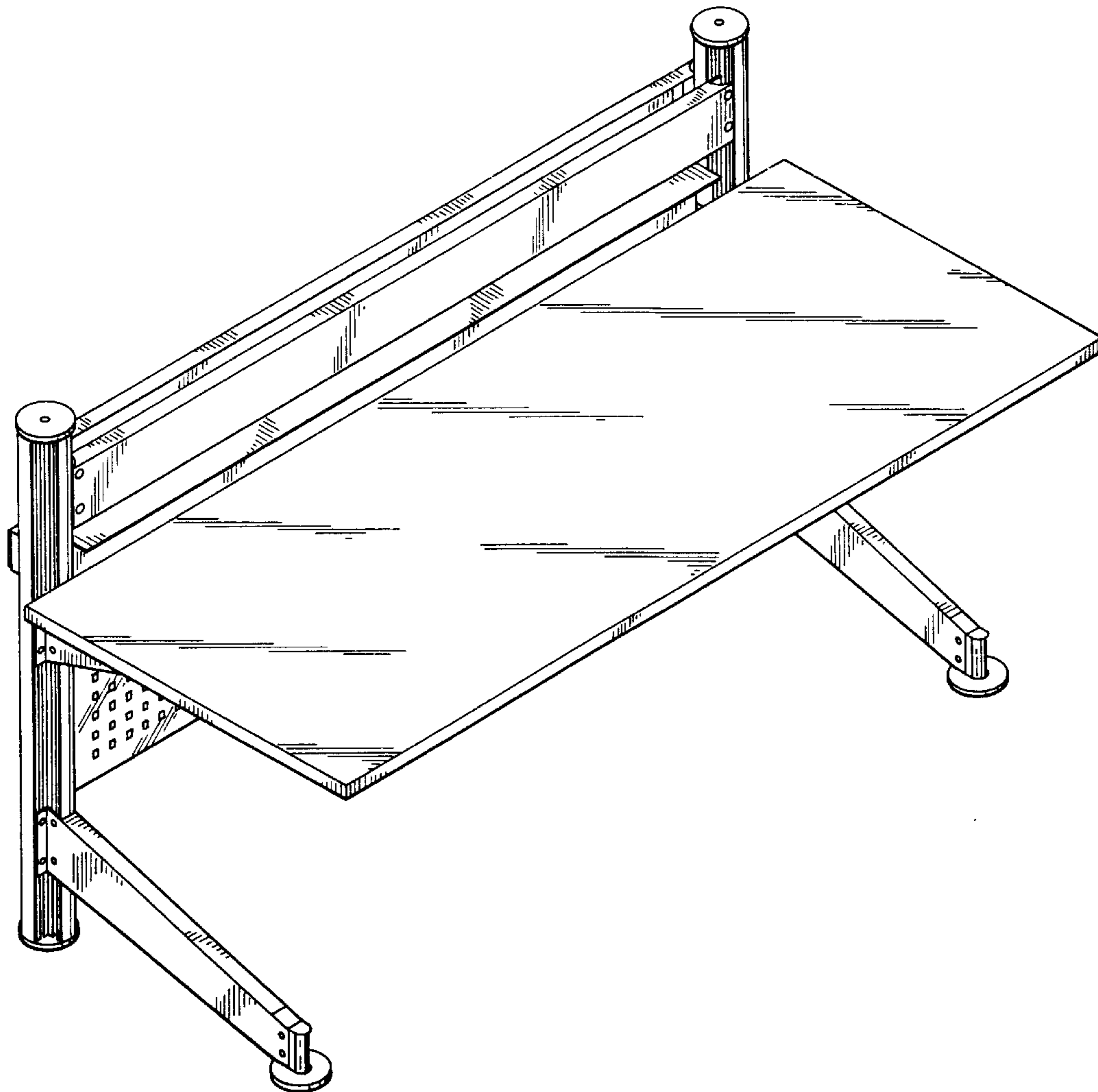
[57] **CLAIM**

The ornamental design for a small workshop table, as shown and described.

DESCRIPTION

FIG. 1 is a perspective view of a small workshop table according to my invention, showing the front, top and left sides thereof;
FIG. 2 is a front elevational view thereof;
FIG. 3 is a top plan view thereof;
FIG. 4 is a bottom plan view thereof;
FIG. 5 is a right side elevational view thereof, the left side elevational view being a mirror image thereof; and,
FIG. 6 is a rear elevational view thereof.

1 Claim, 3 Drawing Sheets



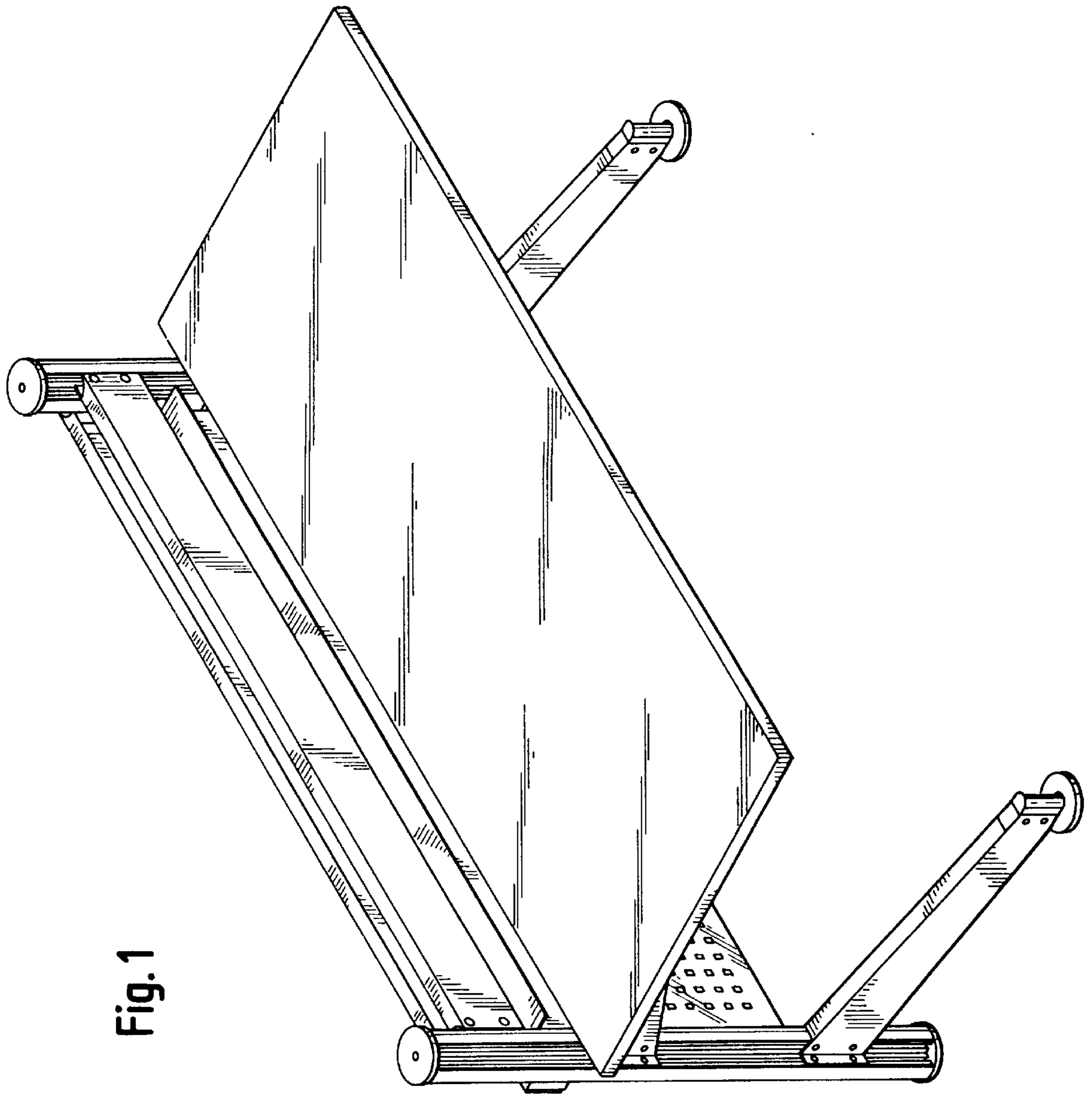


Fig. 1

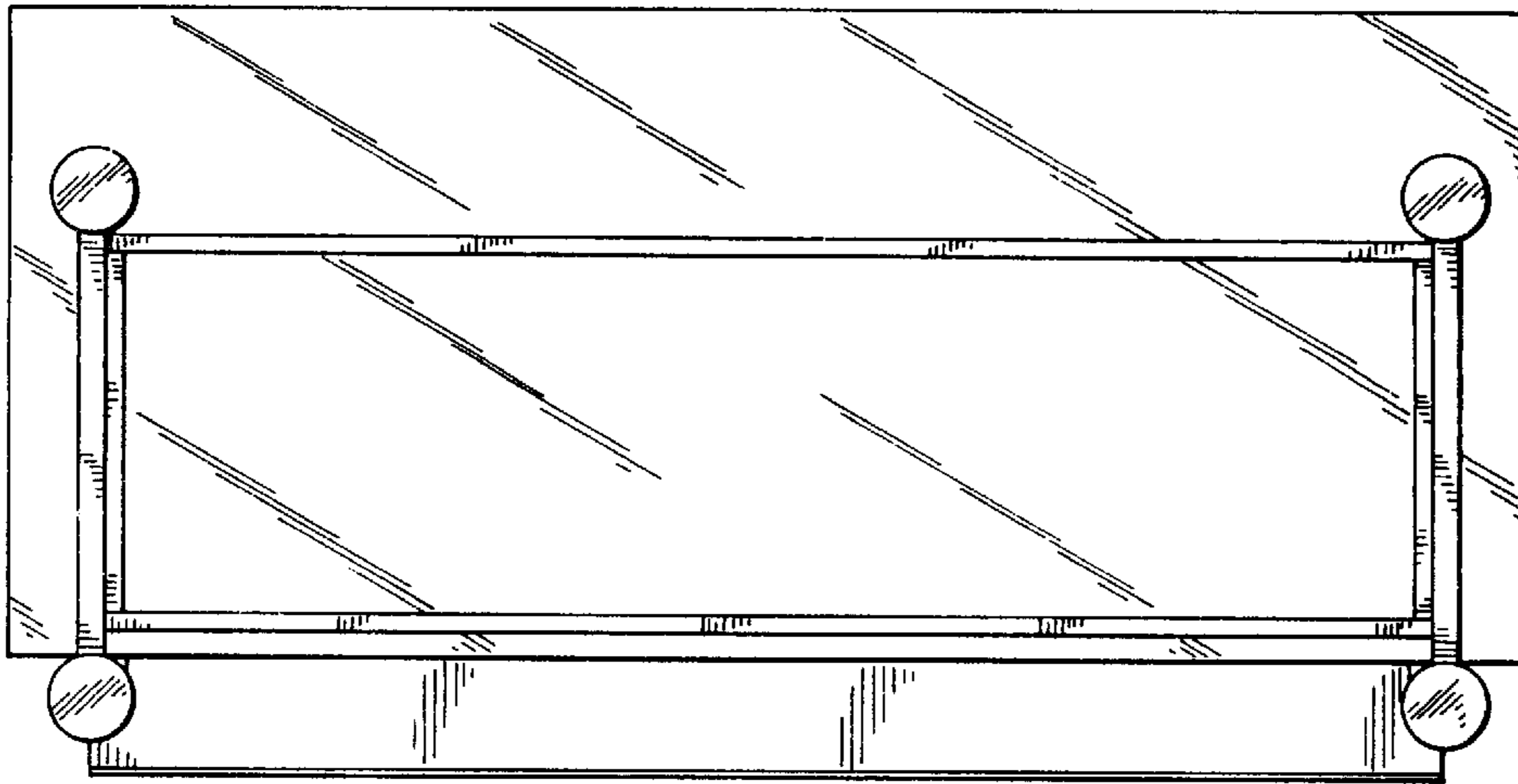


Fig. 4

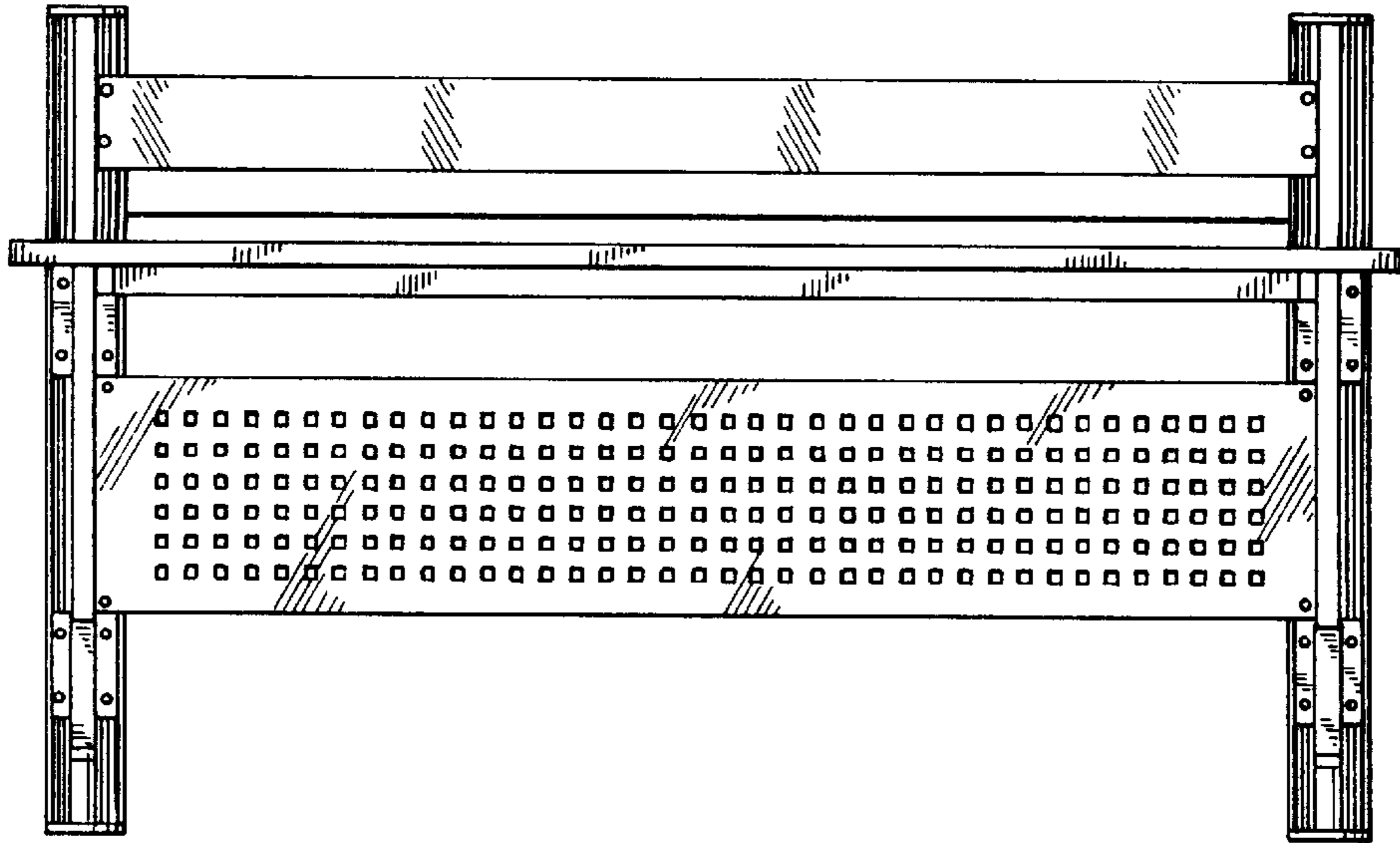


Fig. 2

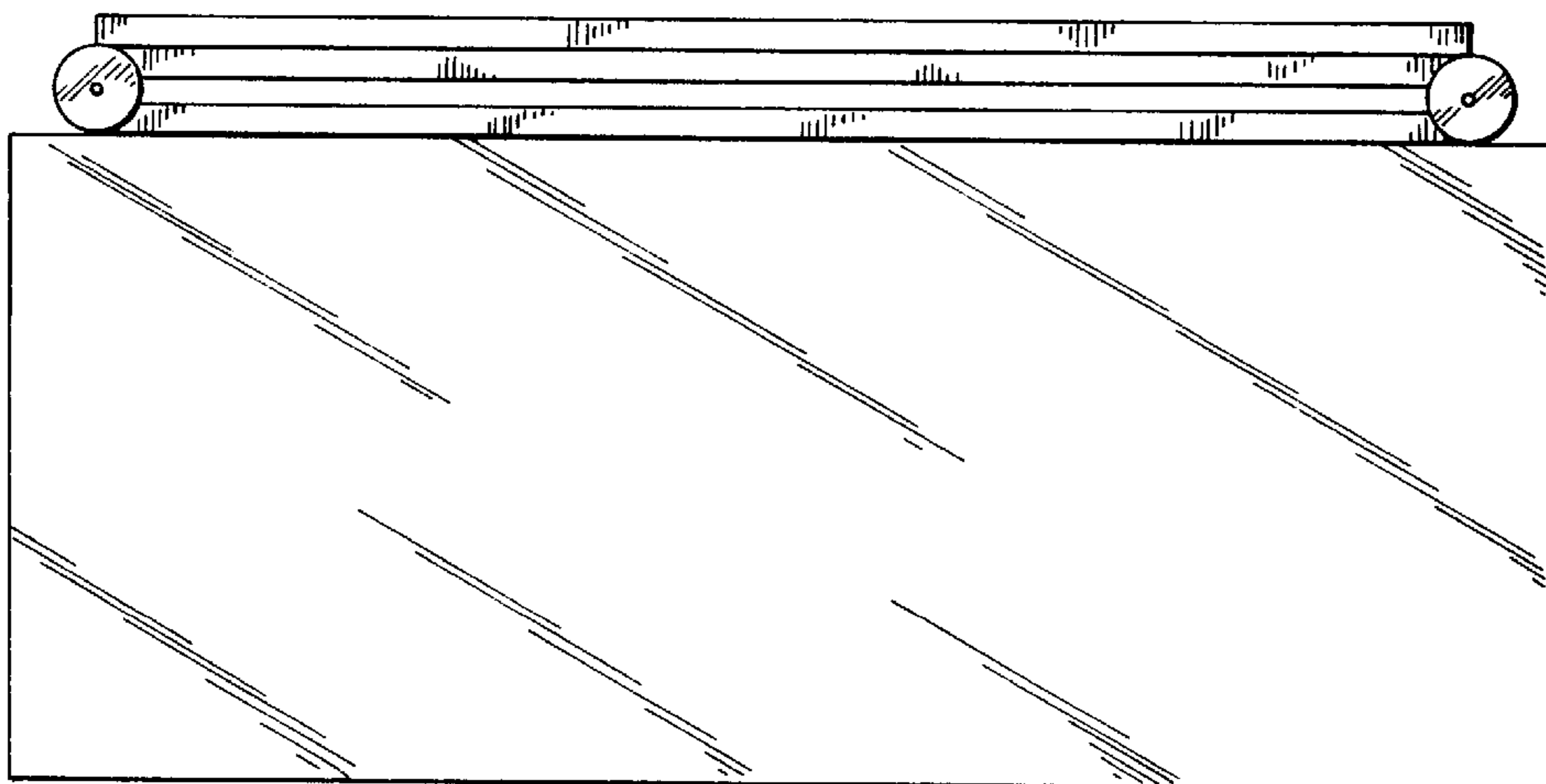


Fig. 3

Fig. 5

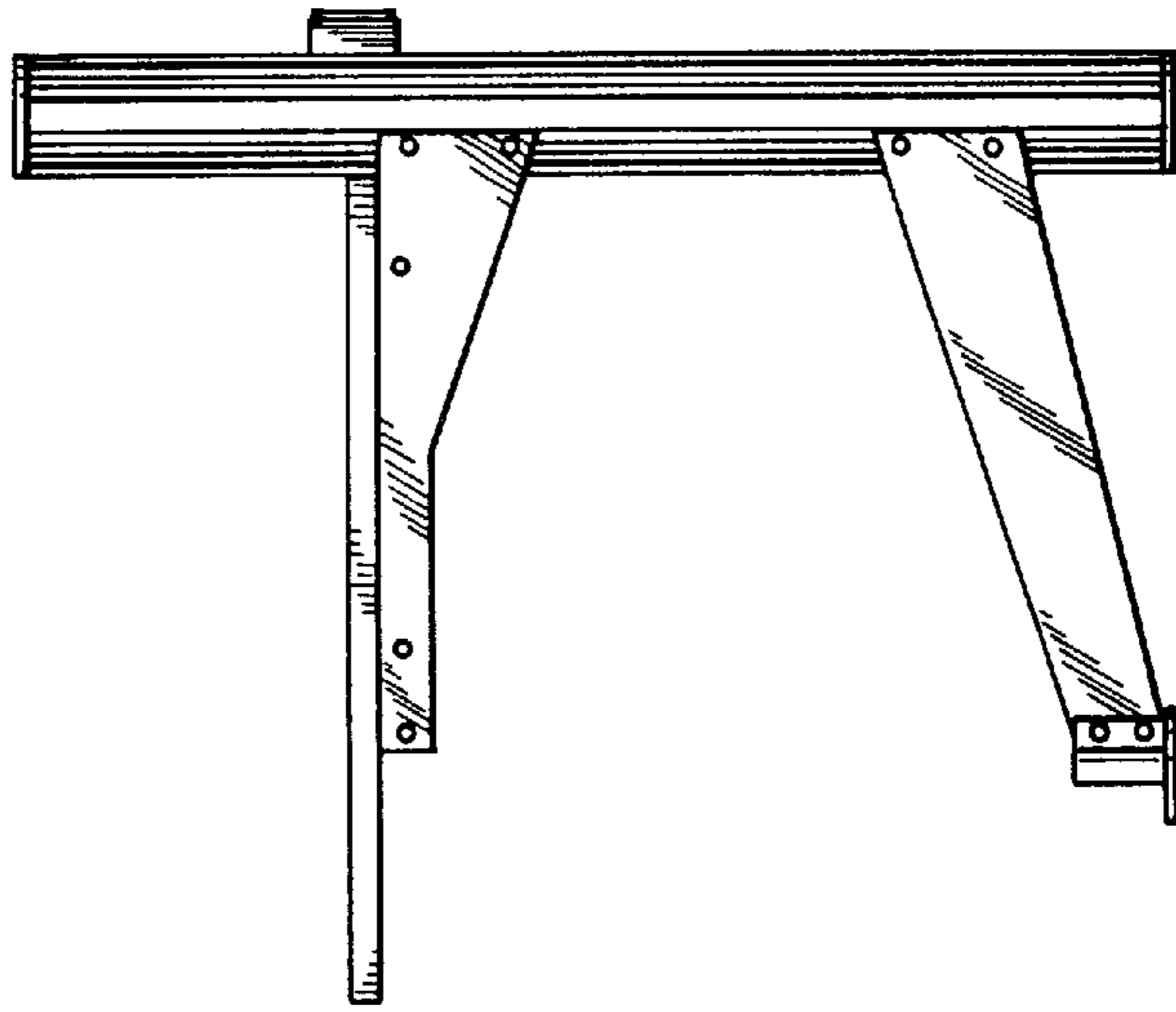


Fig. 6

