



US00D399682S

United States Patent [19]

Lepper et al.

[11] **Patent Number: Des. 399,682**

[45] **Date of Patent: **Oct. 20, 1998**

[54] **DESK**

[75] Inventors: **Christian Lepper; Roland Schmidt,**
both of Kassel; **Uwe Sommerlade,**
Calden, all of Germany

[73] Assignee: **Mauser Office GmbH,** Korbach,
Germany

[*] Notice: The term of this patent shall not extend
beyond the expiration date of Pat. No.
Des. 399,077.

[**] Term: **14 Years**

[21] Appl. No.: **71,132**

[22] Filed: **May 21, 1997**

[30] Foreign Application Priority Data

Nov. 23, 1996 [DE] Germany M 96 10 220.9

[51] **LOC (6) Cl. 06-03**

[52] **U.S. Cl. D6/484**

[58] **Field of Search** D6/422-423, 425-431,
D6/480, 487, 490, 482, 483; 312/223.3;
108/144, 147, 153, 156, 161

[56] References Cited

U.S. PATENT DOCUMENTS

D. 284,532 7/1986 Vogt D6/428

D. 360,324 7/1995 Vogt D6/484
D. 367,774 3/1996 Wood, Jr. D6/422
D. 370,579 6/1996 Simon D6/484
D. 374,787 10/1996 Stoddard et al. D6/484
5,447,099 9/1995 Adams et al. D6/429 X
5,601,037 2/1997 Meyer et al. 108/147

Primary Examiner—James Gandy
Assistant Examiner—Linda Brooks
Attorney, Agent, or Firm—Herbert Dubno

[57] CLAIM

The ornamental design for a desk, as shown and described.

DESCRIPTION

FIG. 1 is a top, left side, front perspective view of a desk showing our new design;

FIG. 2 is a front elevational view thereof;

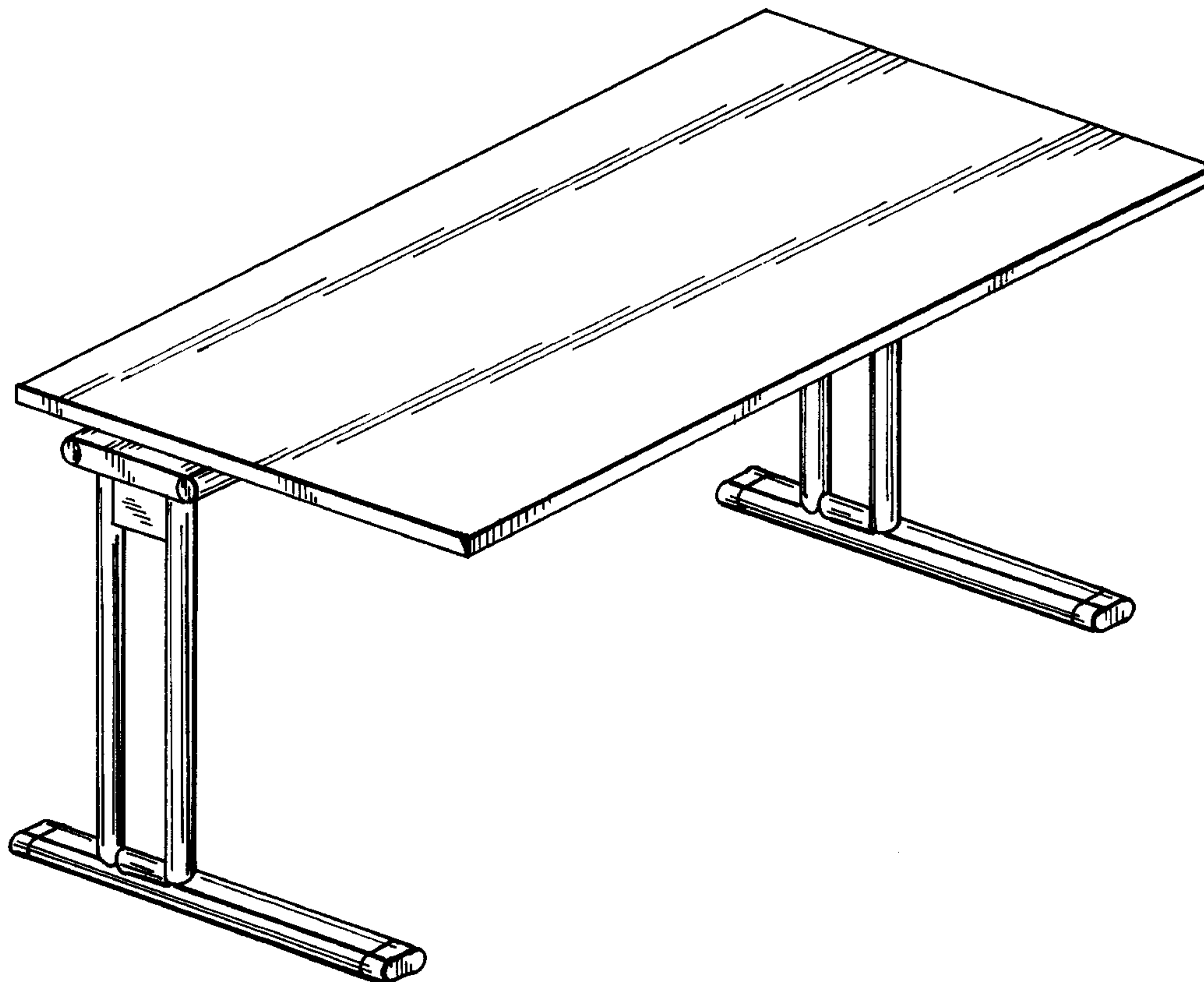
FIG. 3 is a rear elevational view thereof;

FIG. 4 is a left side elevational view thereof, the right side being a mirror image thereof;

FIG. 5 is a top plan view thereof; and,

FIG. 6 is a bottom plan view thereof.

1 Claim, 5 Drawing Sheets



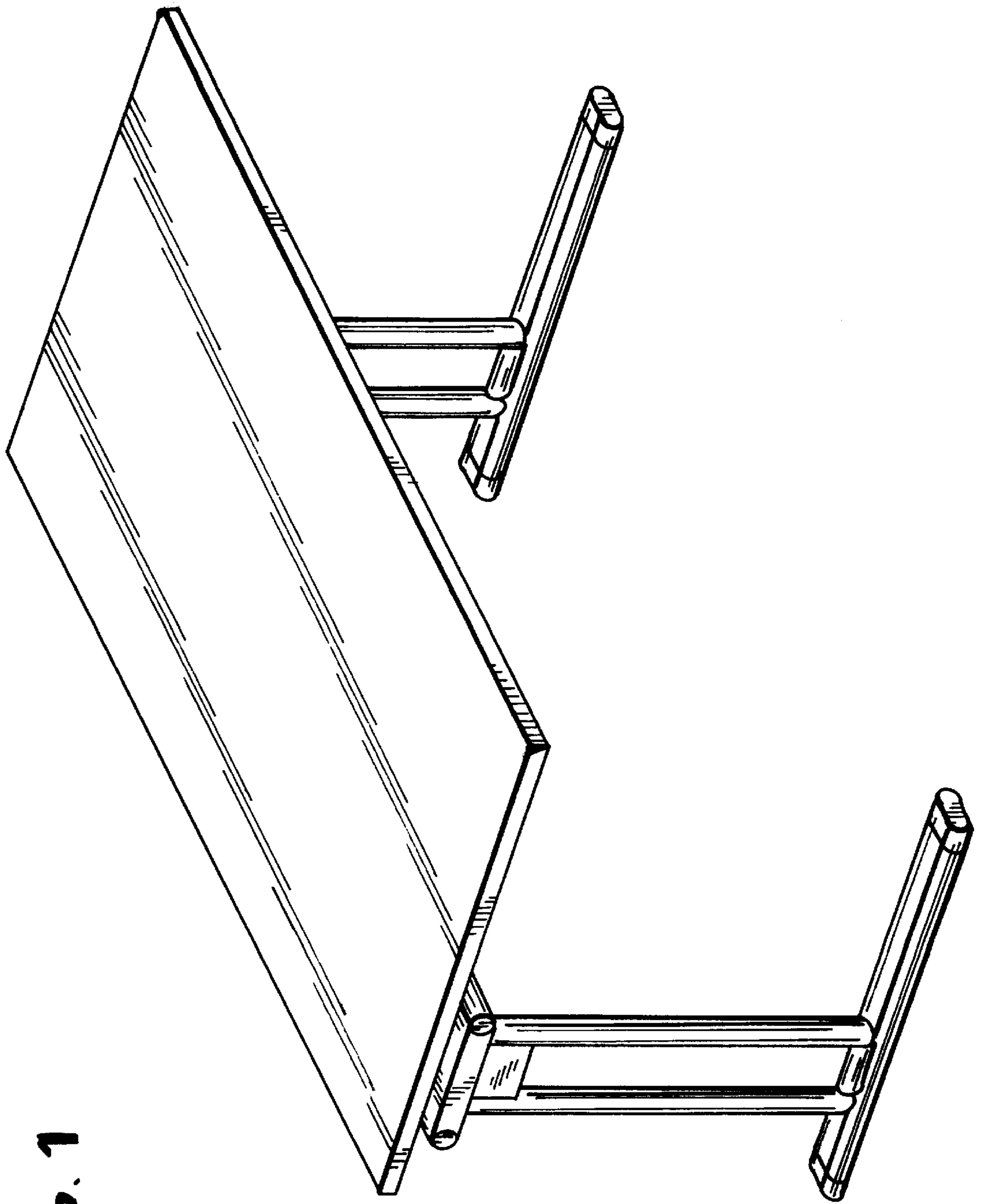


FIG. 1

FIG. 2

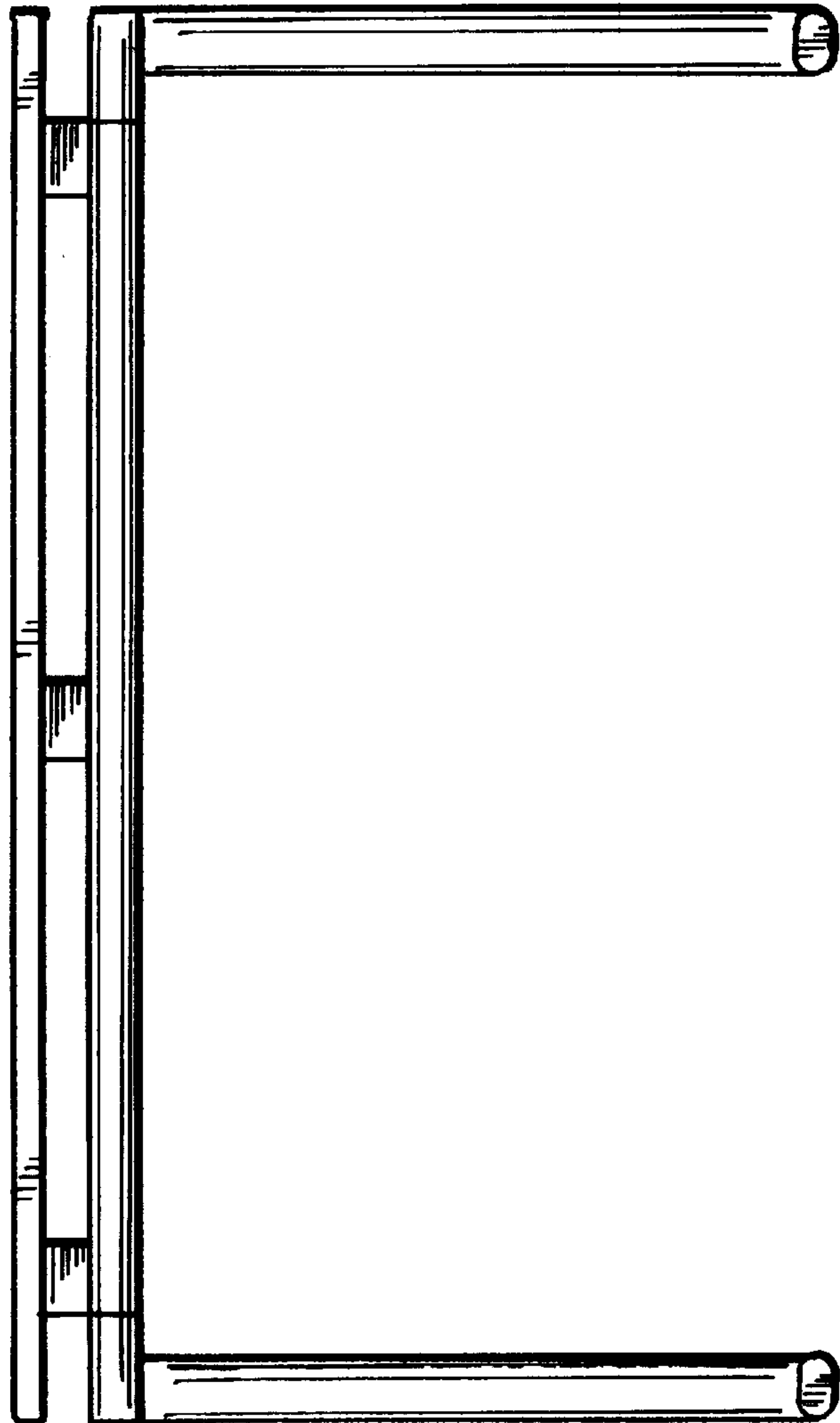


FIG. 3

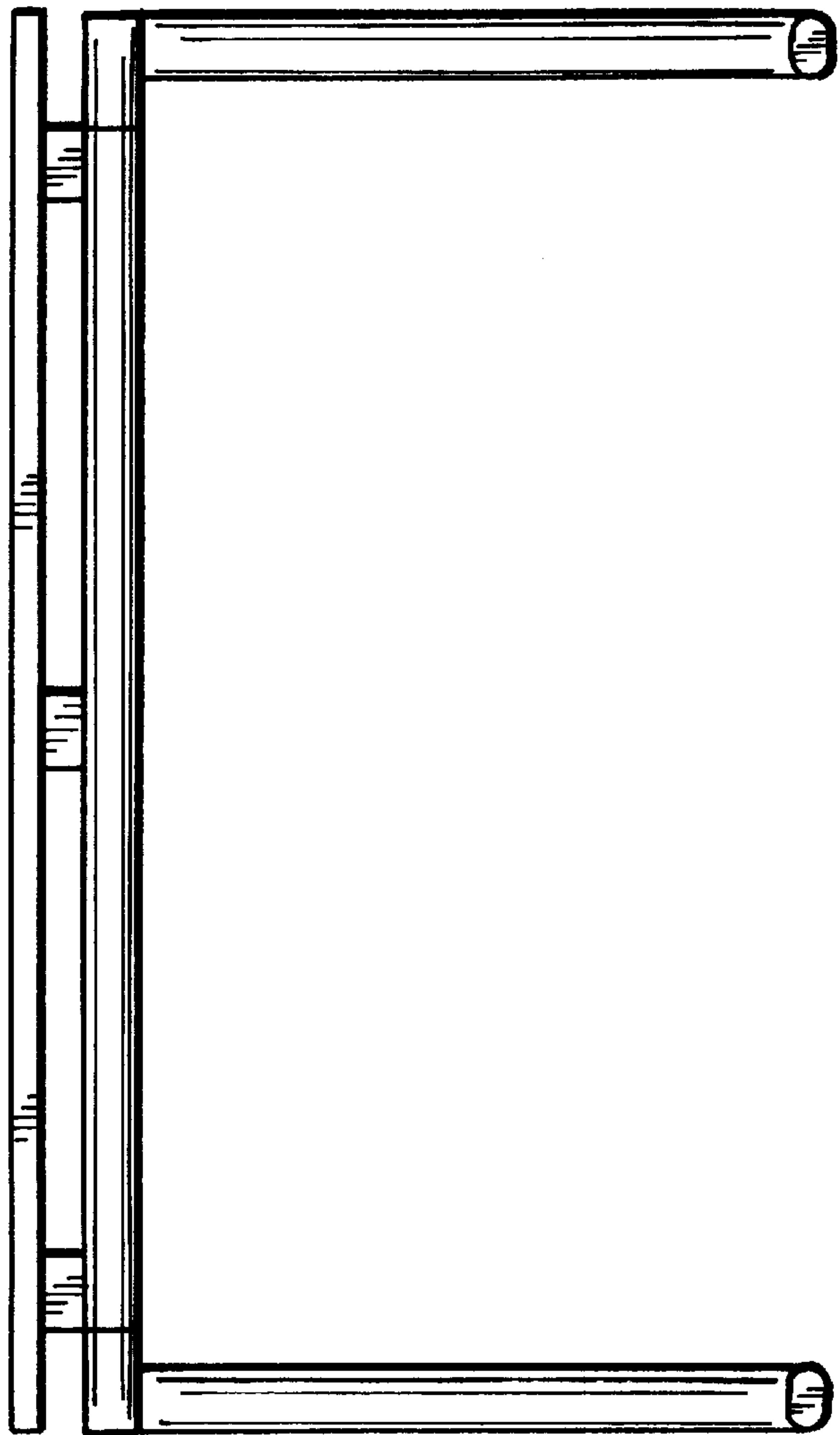


FIG. 5

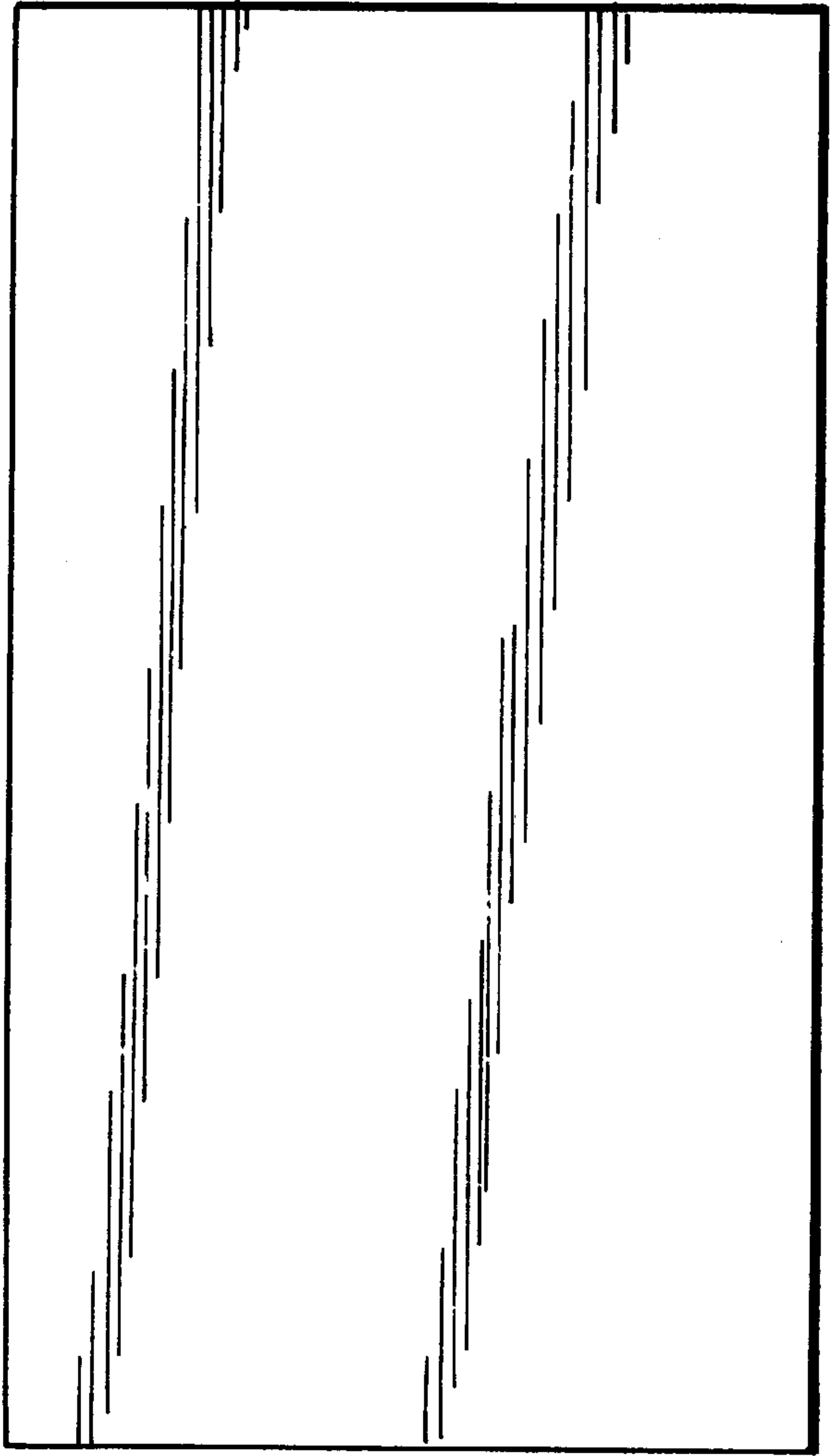


FIG. 4

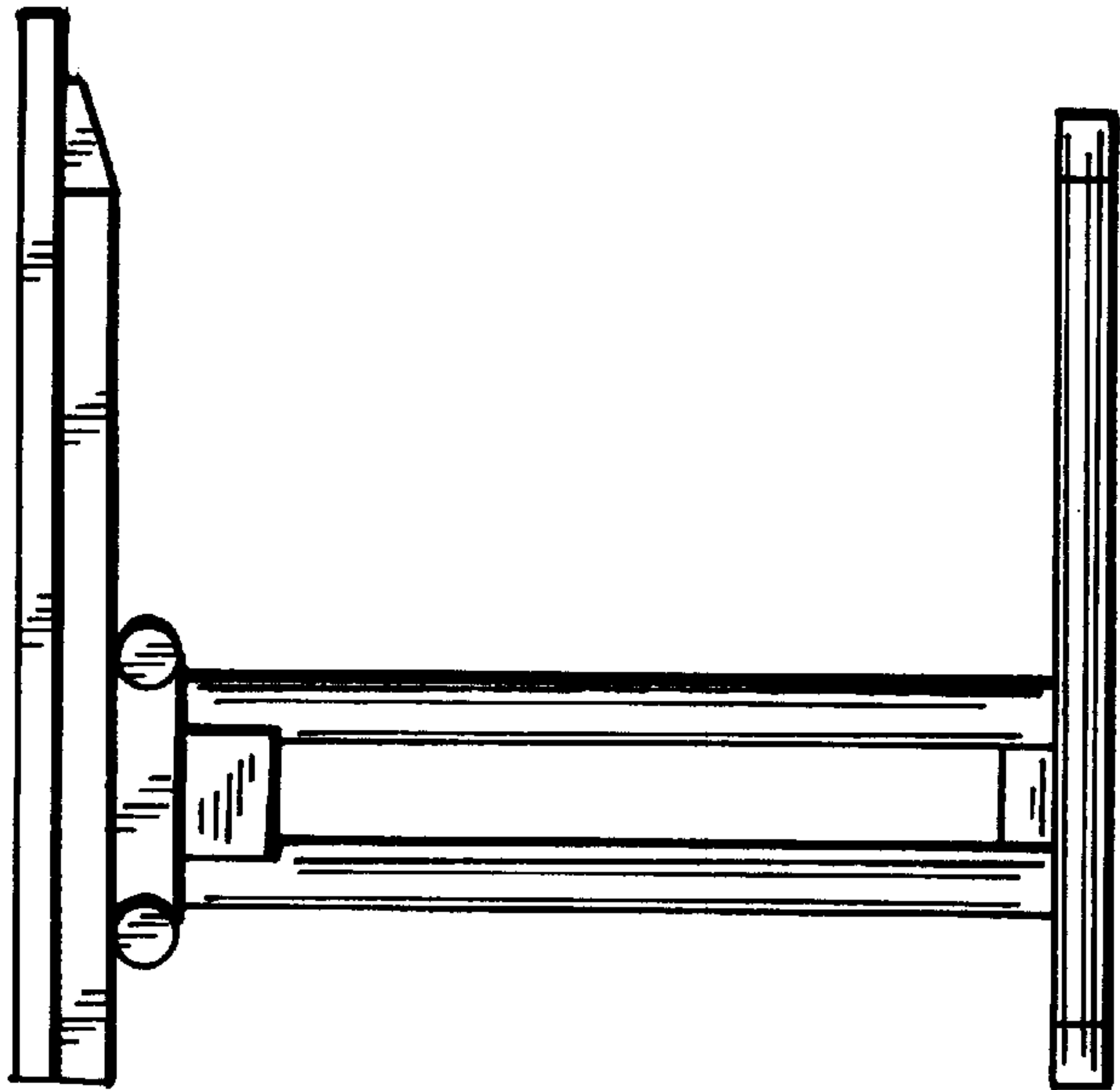


FIG. 6

