



US00D399681S

United States Patent [19] Grosfillex

[11] **Patent Number: Des. 399,681**

[45] **Date of Patent: **Oct. 20, 1998**

[54] **FOLDABLE TABLE**

[75] Inventor: **Raymond Grosfillex**, Oyonnax, France

[73] Assignee: **Grosfillex Sarl**, Oyonnax, France

[**] Term: **14 Years**

[21] Appl. No.: **77,435**

[22] Filed: **Sep. 12, 1997**

[30] **Foreign Application Priority Data**

Mar. 12, 1997 [WO] WIPO DMA003627

[51] **LOC (6) Cl.** **06-03**

[52] **U.S. Cl.** **D6/480; D6/429; D6/486**

[58] **Field of Search** D6/480-489, 495, D6/496, 498, 499, 511, 429, 430; 108/150, 153, 155-157, 161, 83, 86, 88, 90, 69, 77, 169, 115, 127; 248/188, 188.1, 188.7

[56] **References Cited**

U.S. PATENT DOCUMENTS

D. 350,446	9/1994	Sauvage	D6/487
D. 368,193	3/1996	Walters	D6/486
D. 386,332	11/1997	Grosfillex	D6/498
2,129,041	9/1938	Allred	108/115
5,501,157	3/1996	Westerburgen	108/115

OTHER PUBLICATIONS

Best, Spring 1993, p. 37 table at top right.

Primary Examiner—Janice E. Seeger

Attorney, Agent, or Firm—Dowell & Dowell, P.C.

[57] **CLAIM**

The ornamental design for a foldable table, as shown and described.

DESCRIPTION

FIG. 1 is a front perspective view of a foldable table showing my new design;

FIG. 2 is a front bottom perspective view thereof;

FIG. 3 is a top plan view thereof;

FIG. 4 is a bottom plan view thereof;

FIG. 5 is a front elevational view thereof, a view from the rear being a mirror image;

FIG. 6 is a right side view thereof a view from the left side being a mirror image;

FIG. 7 is a front perspective view showing the table of FIG. 1 is a folded position;

FIG. 8 is a front bottom perspective view of the folded table of FIG. 7;

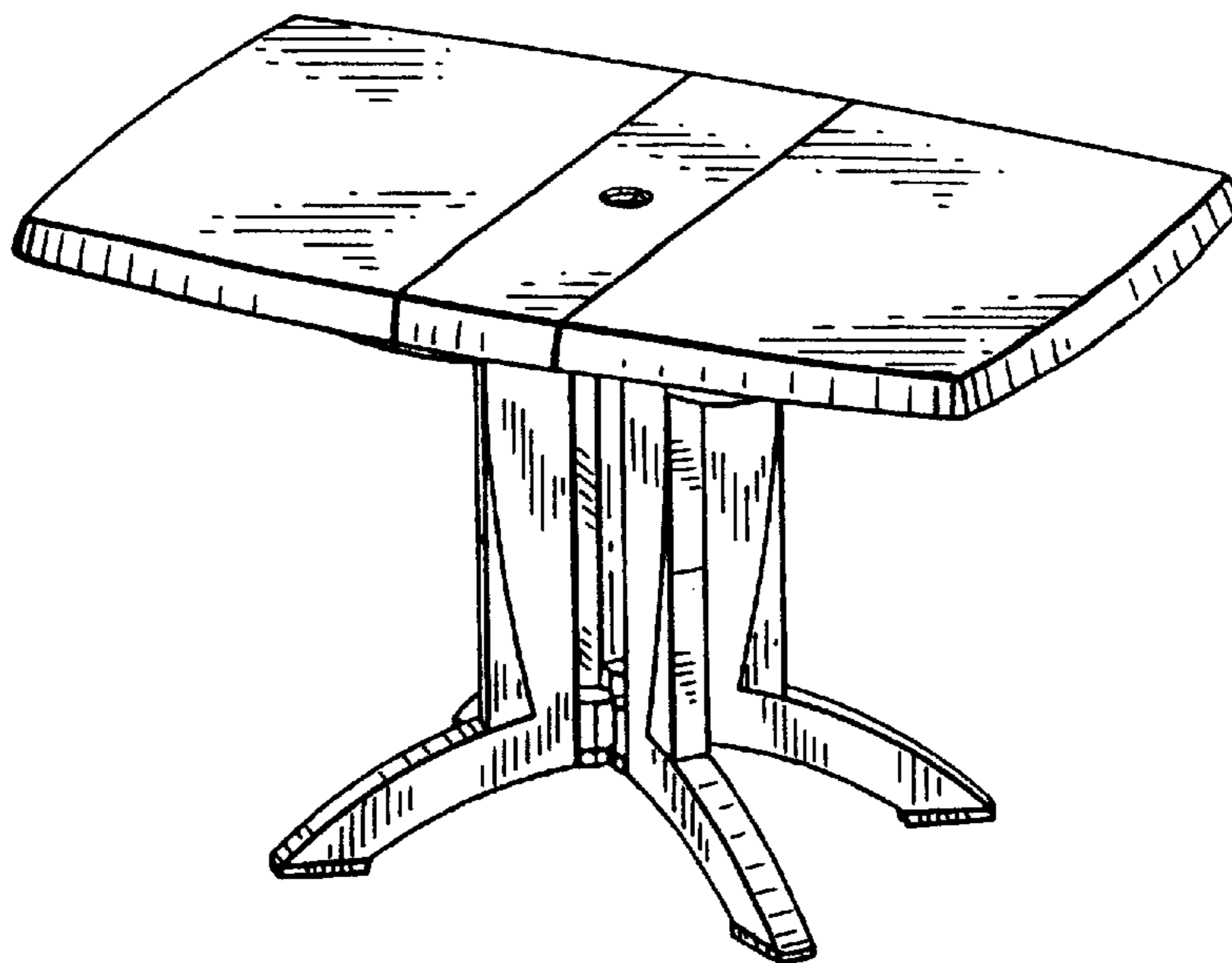
FIG. 9 is a top plan view of the folded table of FIG. 7;

FIG. 10 is a front plan view of the folded table of FIG. 7, a rear view being a mirror image thereof;

FIG. 11 is a bottom plan view of the folded table of FIG. 7; and,

FIG. 12 is a right side view of the folded table of FIG. 7, a view from the left side being a mirror image thereof.

1 Claim, 4 Drawing Sheets



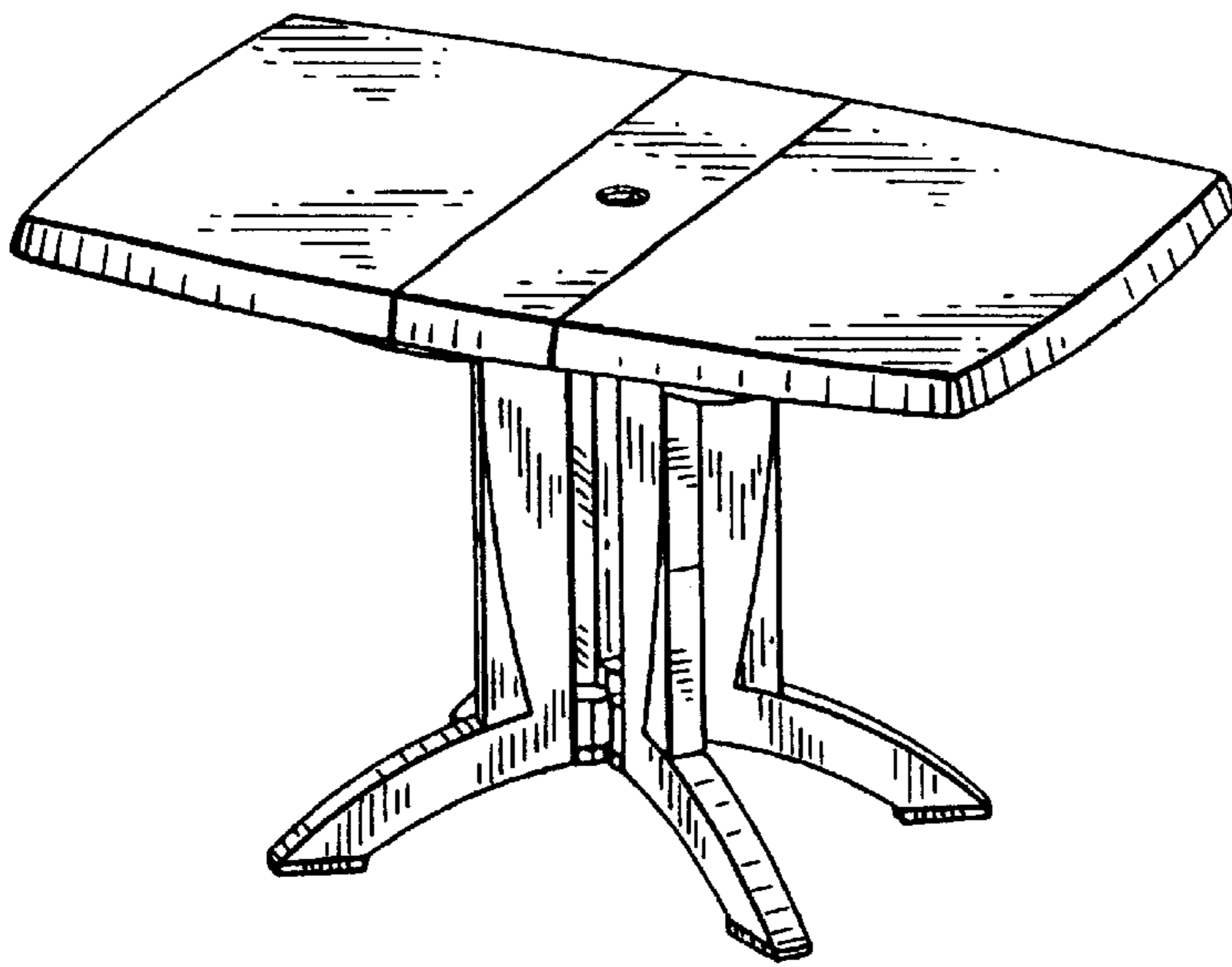


FIG. 1

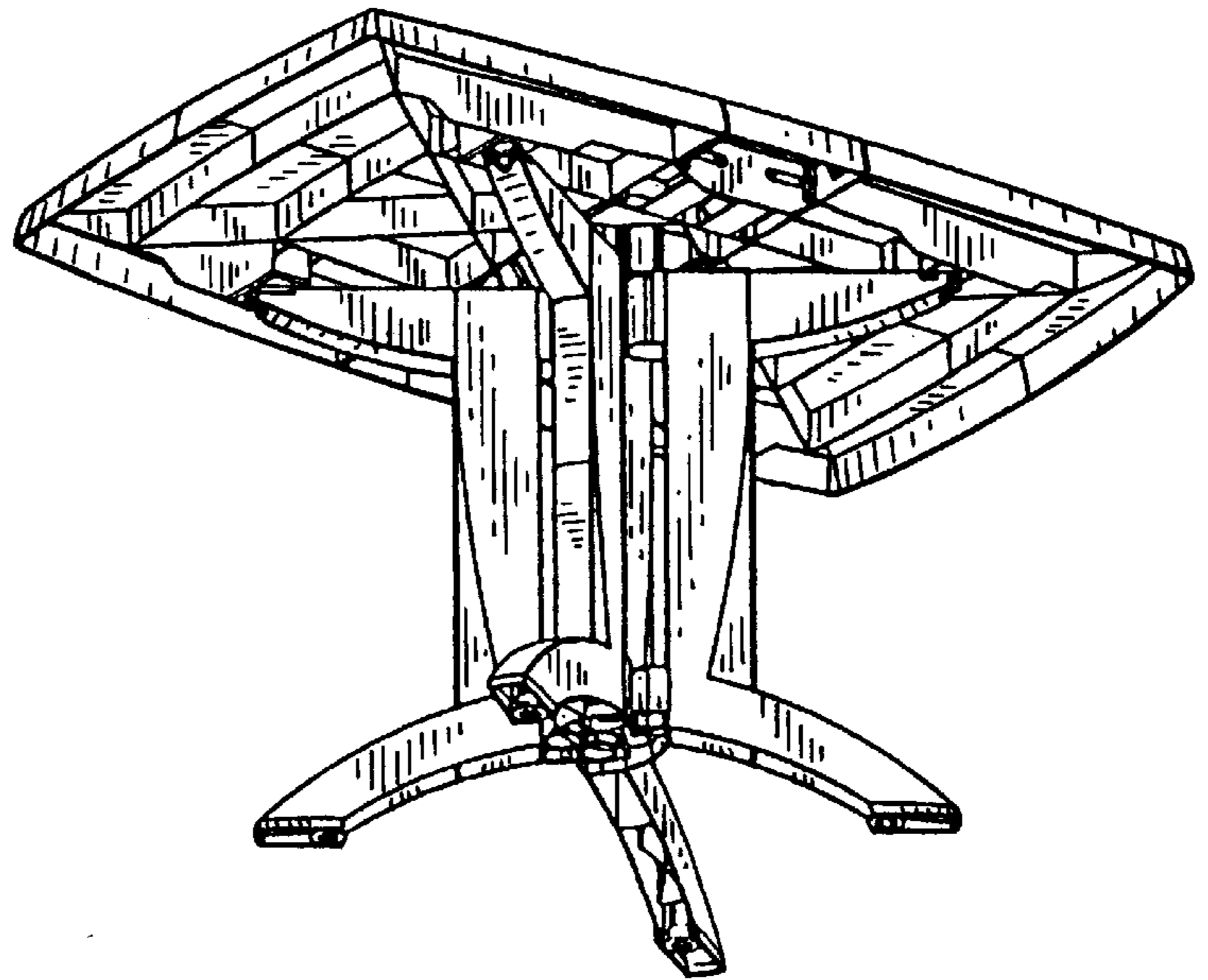


FIG. 2

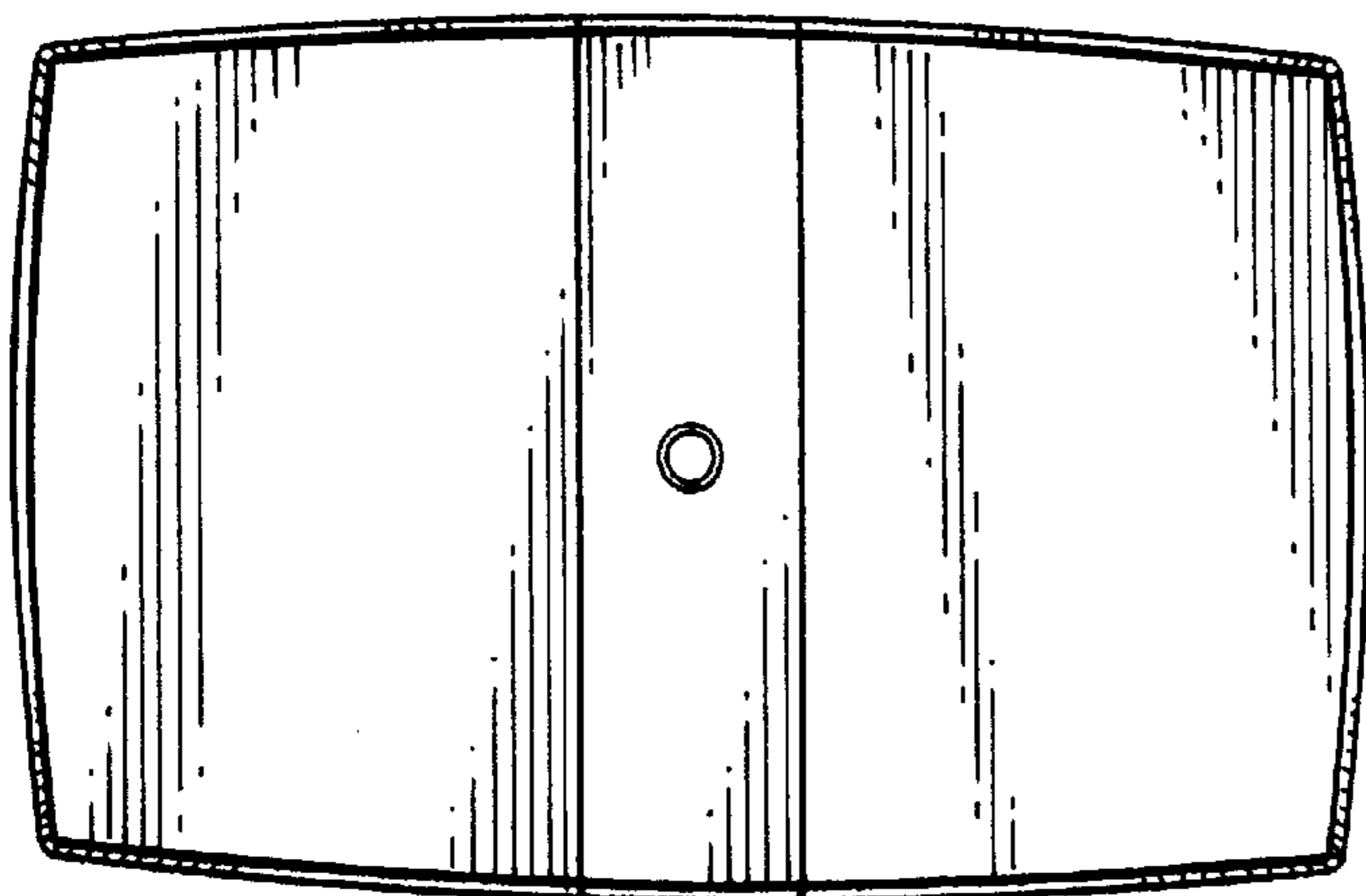


FIG. 3

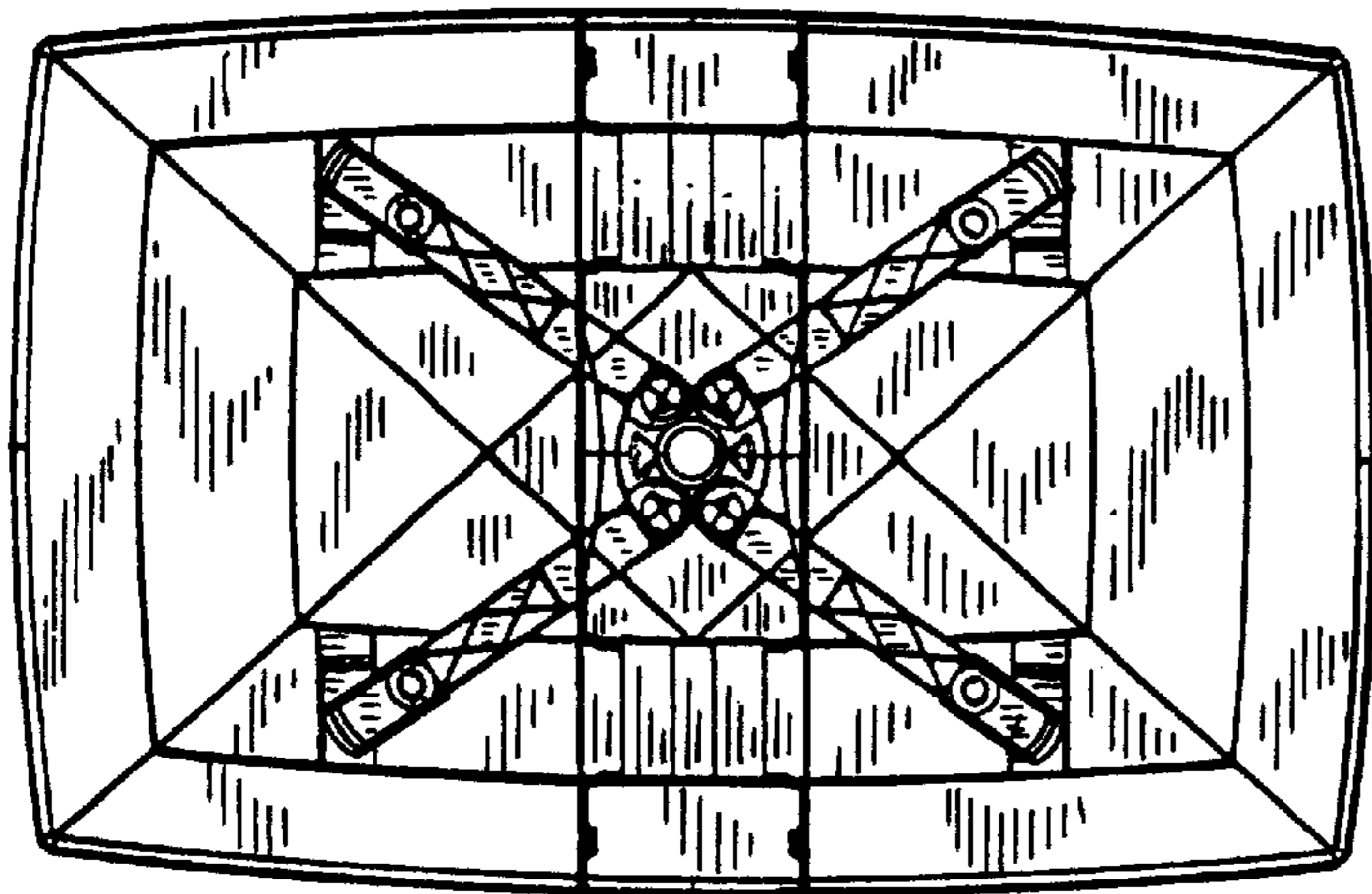


FIG. 4

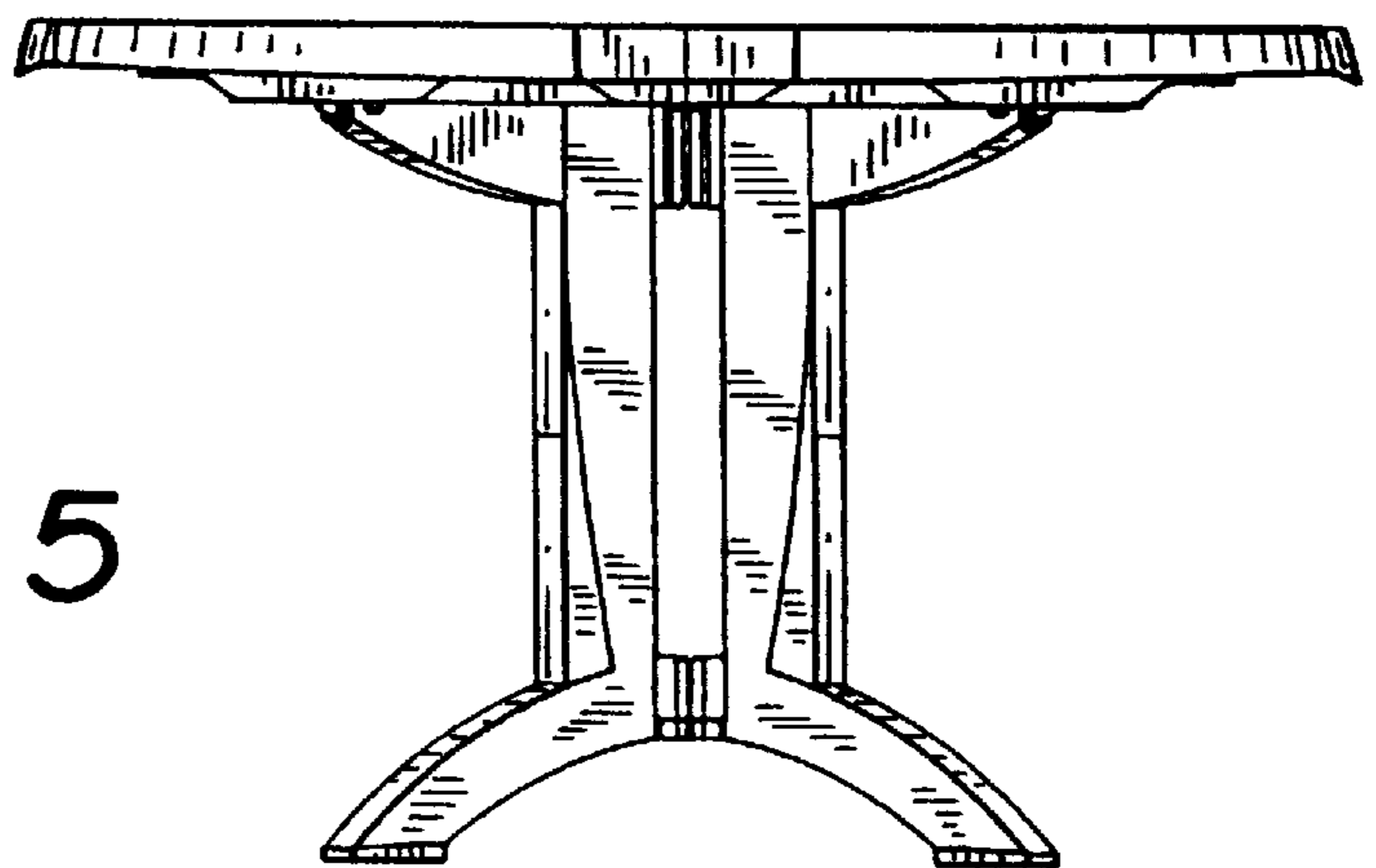


FIG. 5

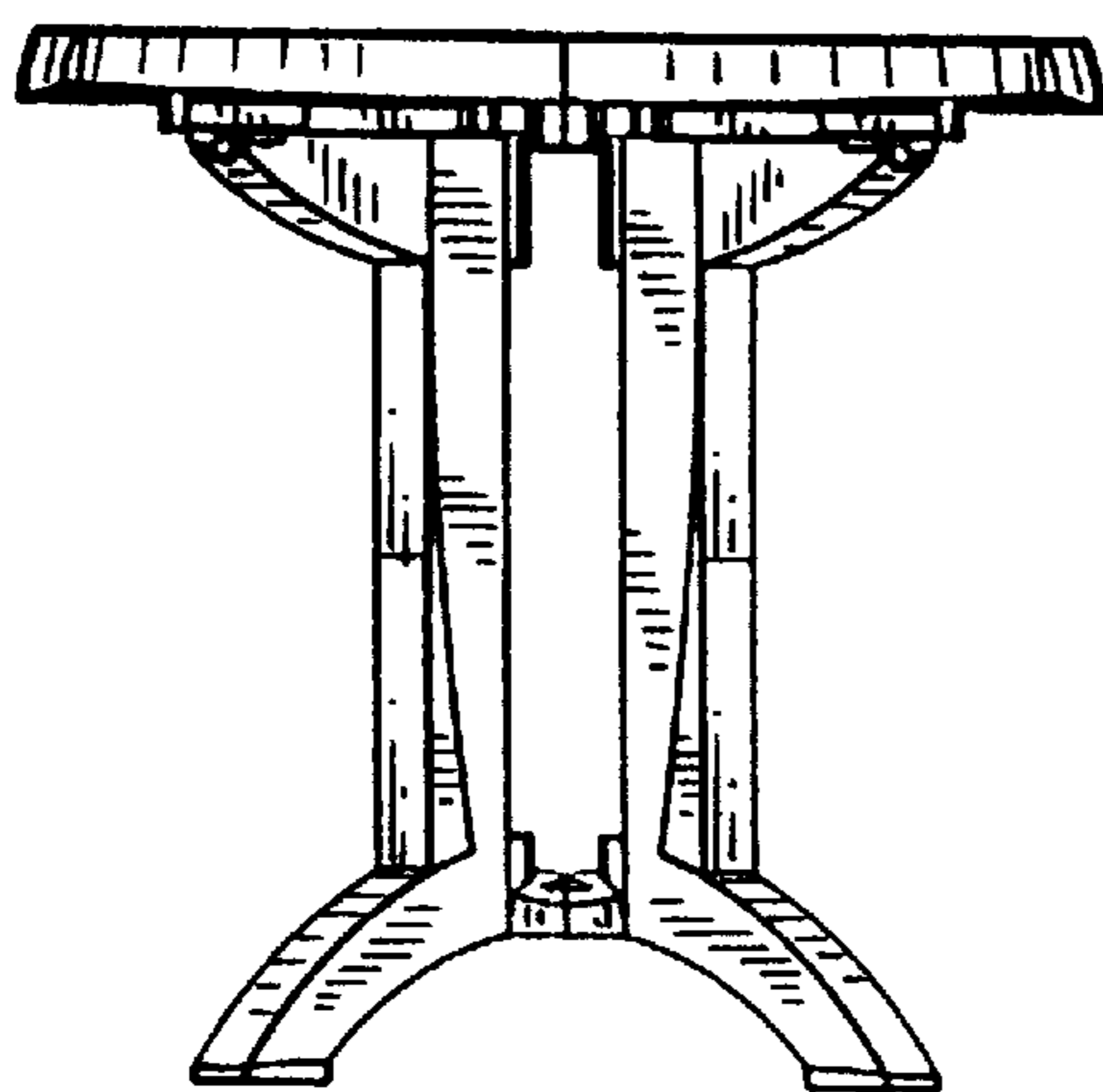


FIG. 6

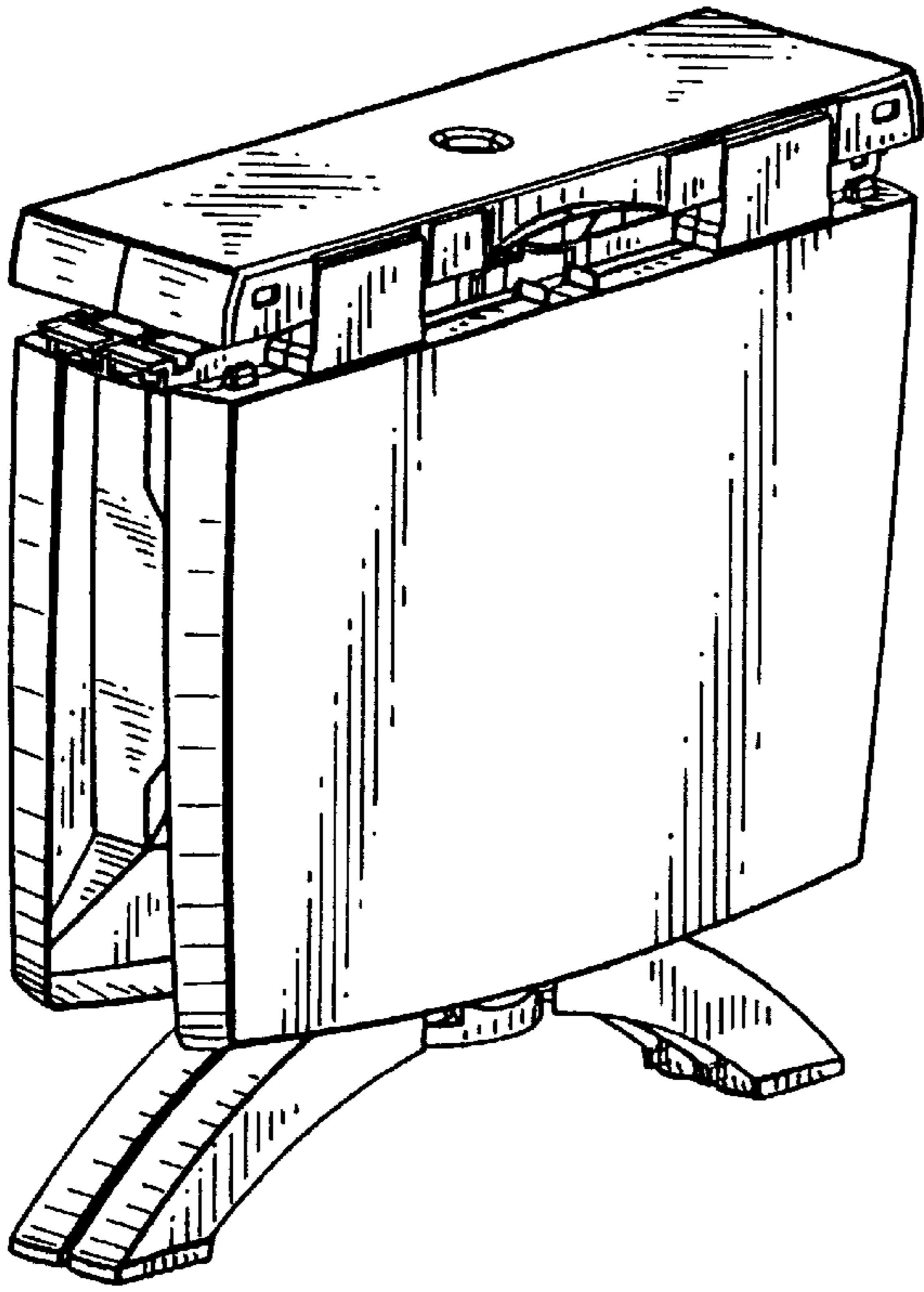


FIG. 7

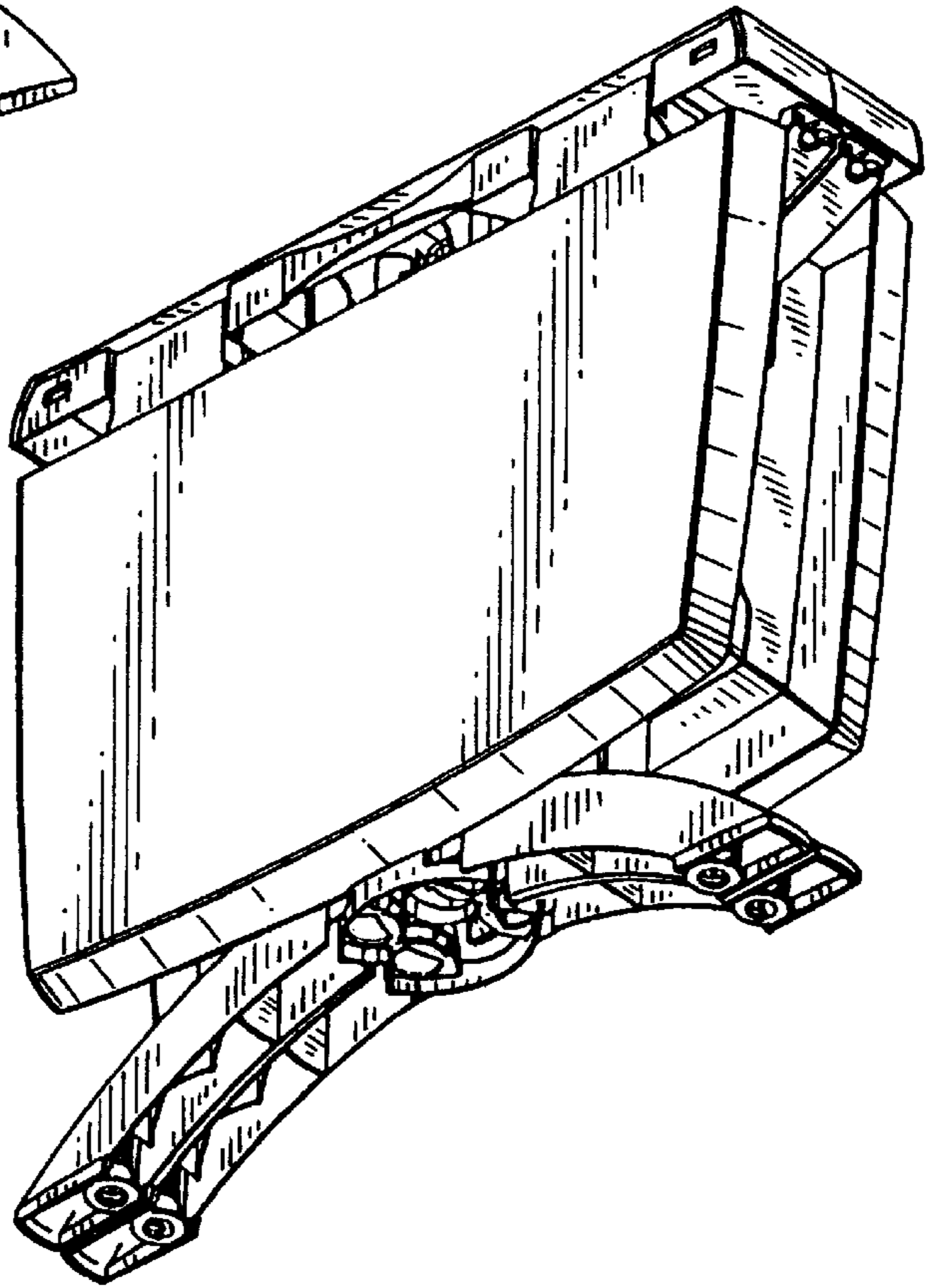


FIG. 8

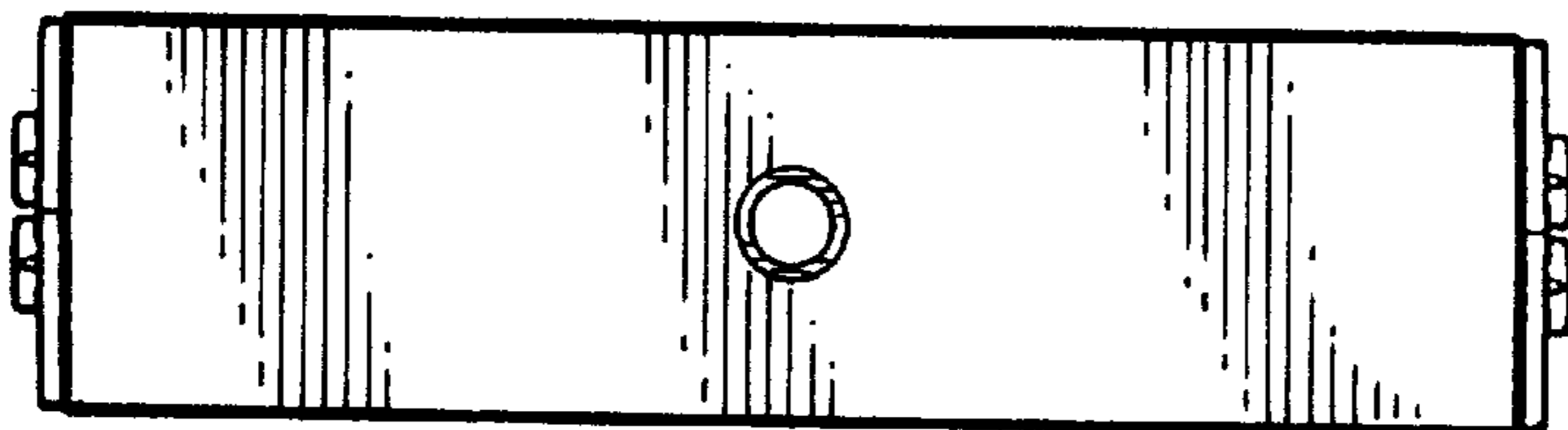


FIG. 9

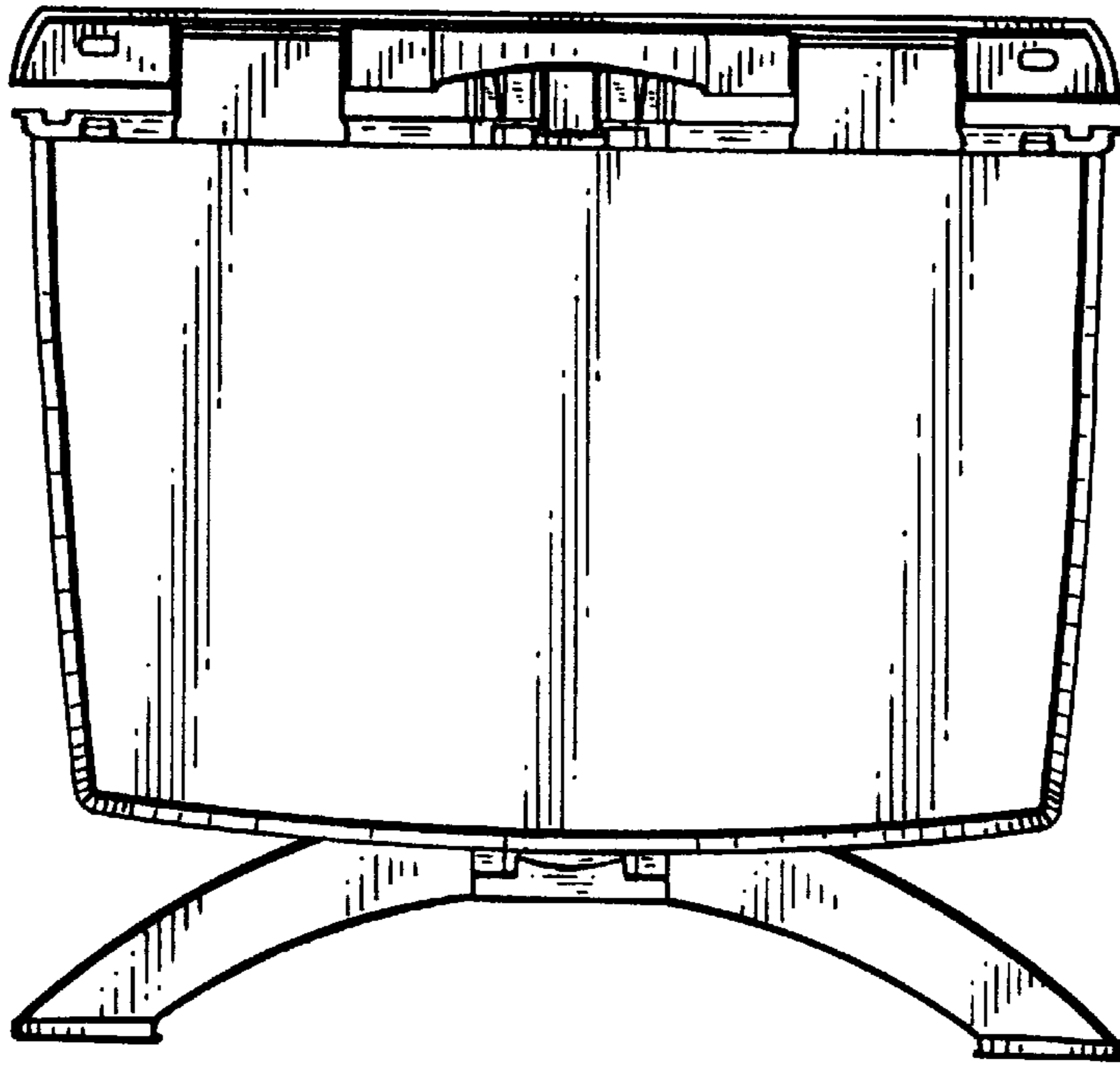


FIG. 10

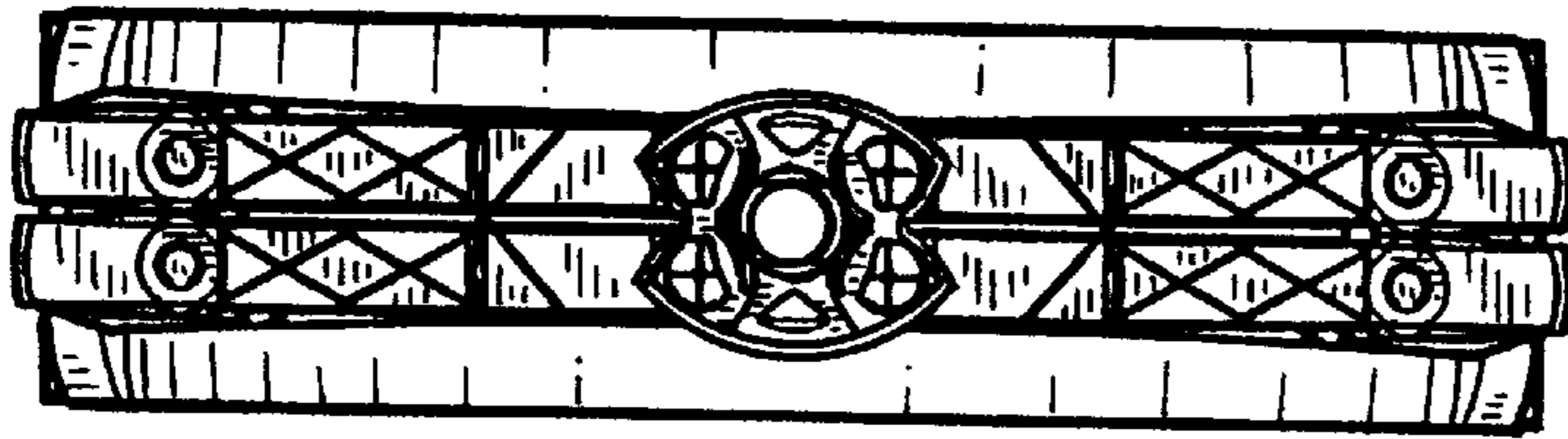


FIG. 11

FIG. 12

