



US00D399680S

# United States Patent [19] Mak

[11] Patent Number: Des. 399,680

[45] Date of Patent: \*\*Oct. 20, 1998

[54] TABLE FOR EDUCATIONAL GAMES

[75] Inventor: Kai-Shun Mak, Hong Kong, Hong Kong

[73] Assignee: Hop Lee Cheong Industrial Co., Ltd., Hong Kong

[\*\*] Term: 14 Years

[21] Appl. No.: 72,265

[22] Filed: Jun. 13, 1997

[51] LOC (6) Cl. .... 06-03

[52] U.S. Cl. .... D6/480

[58] Field of Search ..... D6/480-489, 429, D6/467, 469; 108/25, 50, 153, 156, 161; 446/71, 75, 118

[56] **References Cited**

U.S. PATENT DOCUMENTS

D. 252,431 7/1979 Pfister ..... D6/484

D. 281,178 10/1985 Brockenshire ..... D21/37  
D. 284,149 6/1986 Rose ..... D6/467

Primary Examiner—Janice E. Seeger  
Attorney, Agent, or Firm—Burns, Doane, Swecker & Mathis, L.L.P.

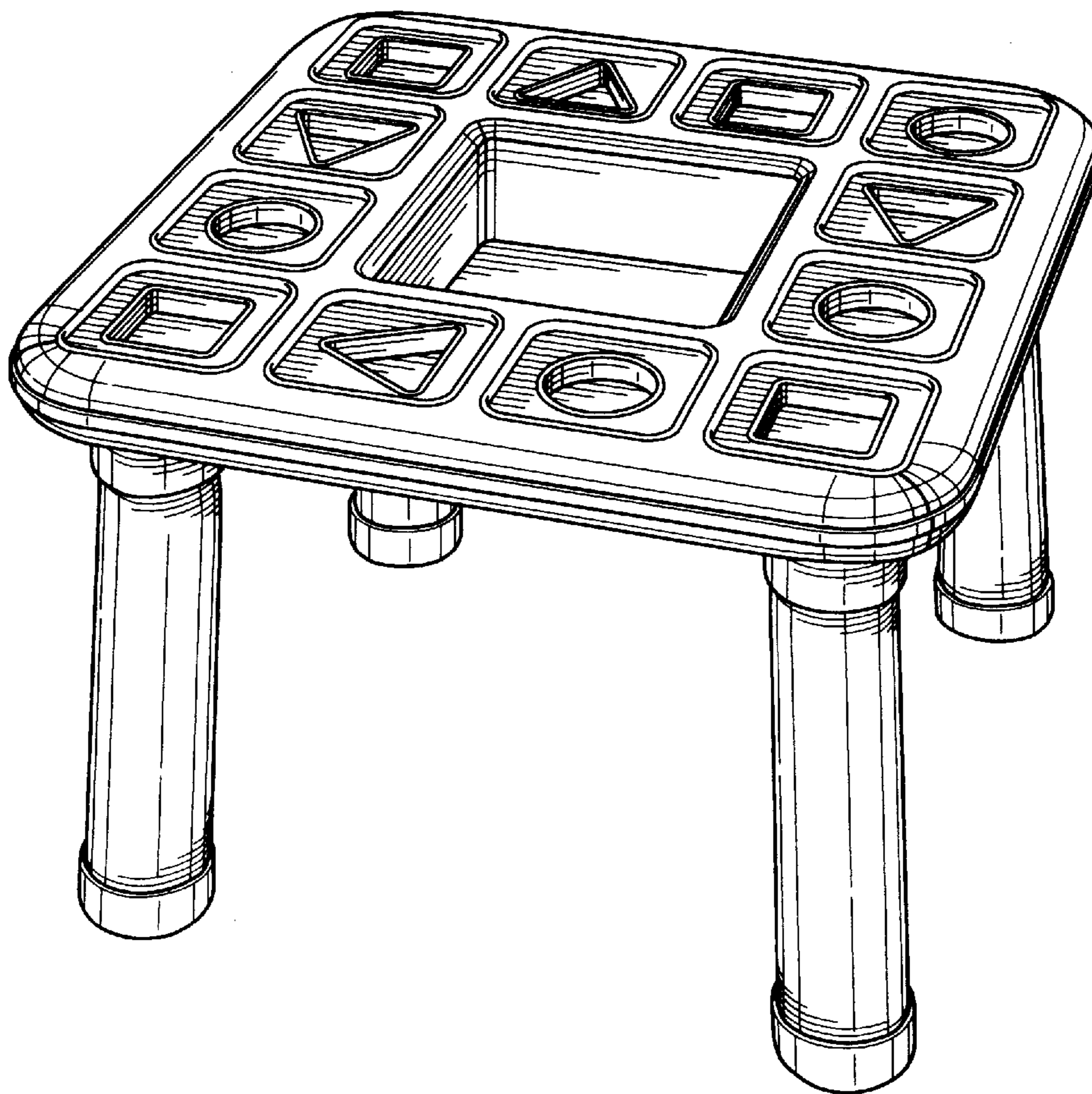
[57] **CLAIM**

The ornamental design for a “table for educational games”, as shown and described.

**DESCRIPTION**

FIG. 1 is a perspective view of a “table for educational games” showing our design;  
FIG. 2 is a front view thereof;  
FIG. 3 is a rear view thereof;  
FIG. 4 is a left side elevational view thereof;  
FIG. 5 is a right side elevational view thereof;  
FIG. 6 is a top plan view thereof; and,  
FIG. 7 is a bottom view thereof.

1 Claim, 4 Drawing Sheets



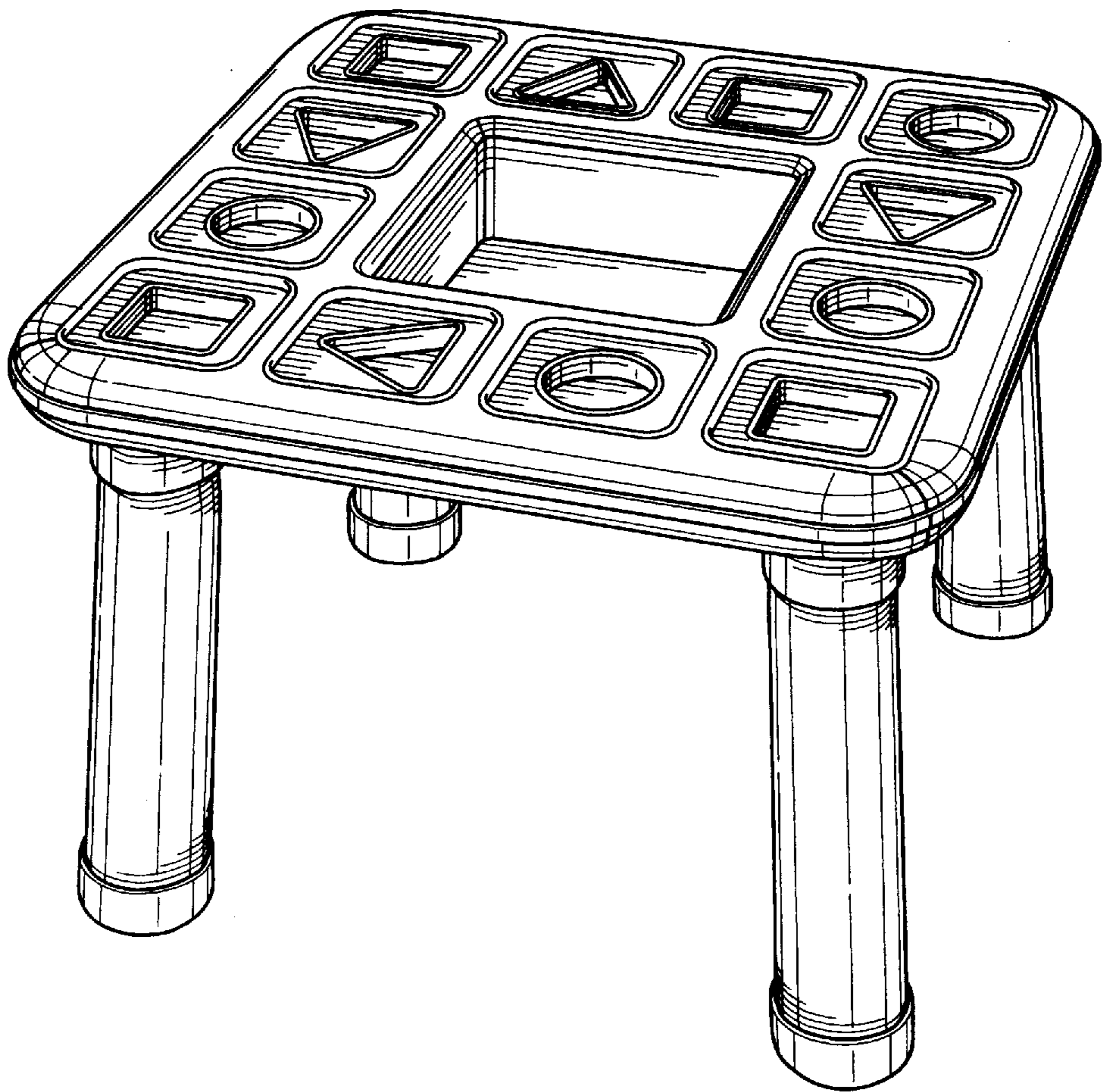


FIG. 1

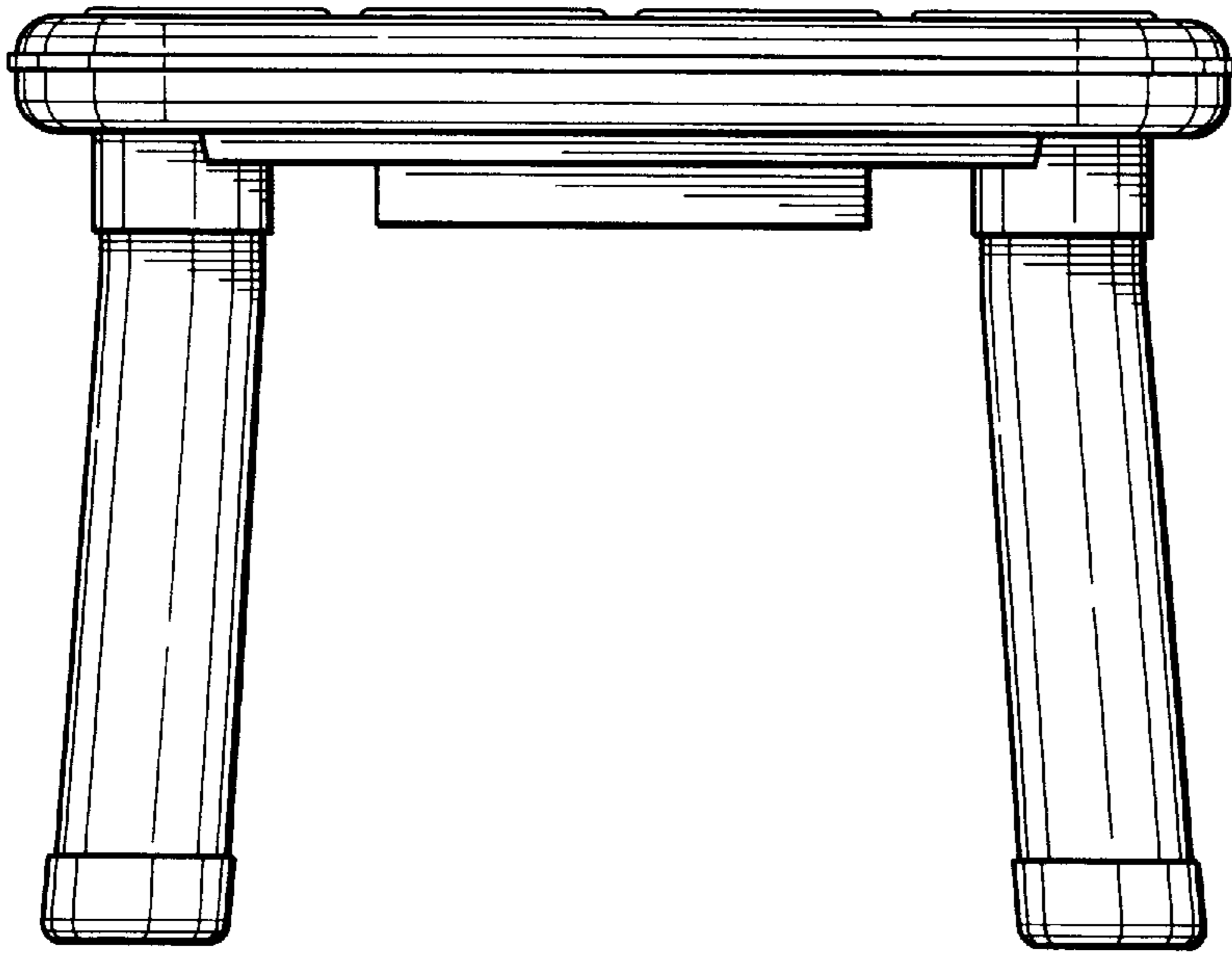


FIG. 2

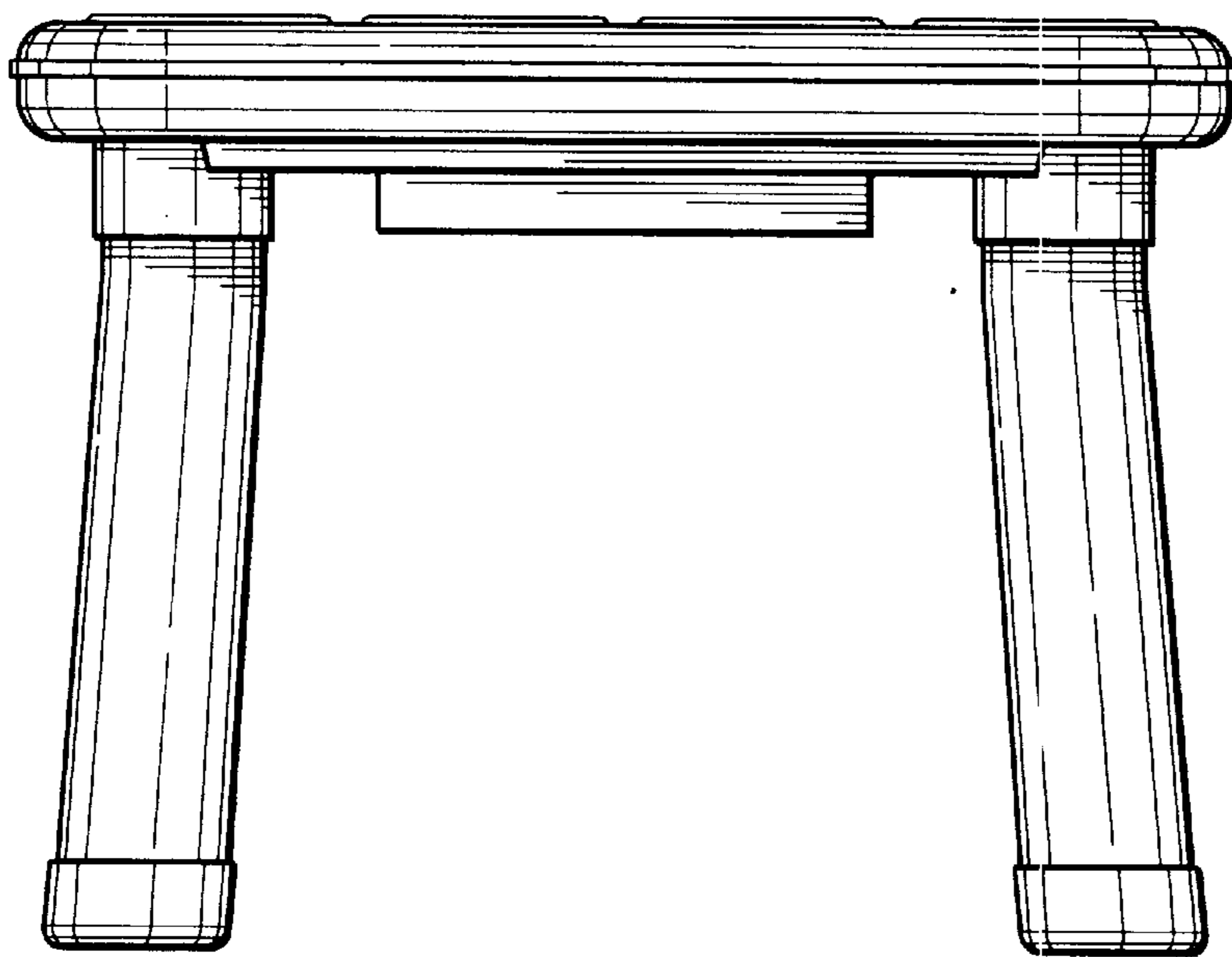


FIG. 3

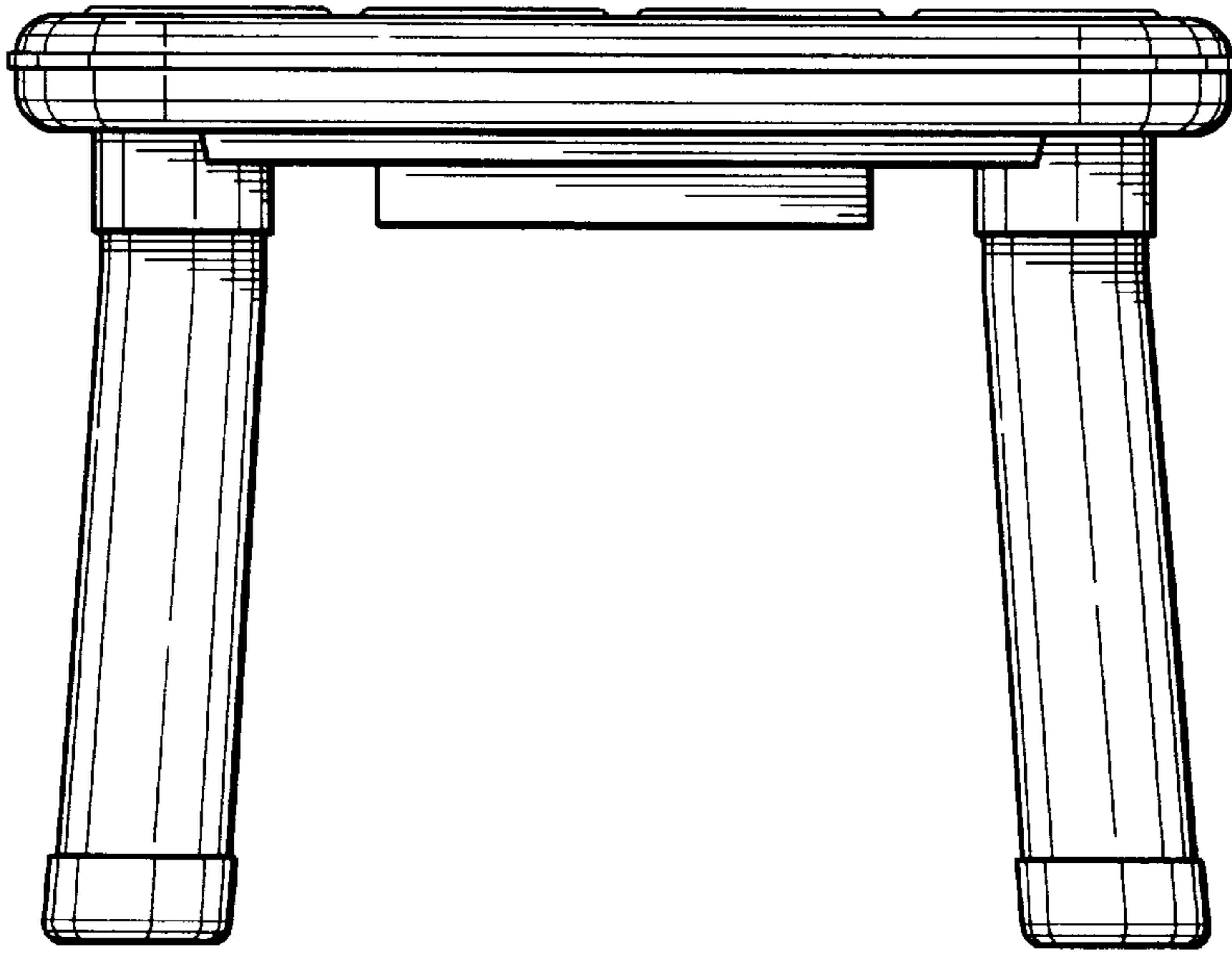


FIG. 4

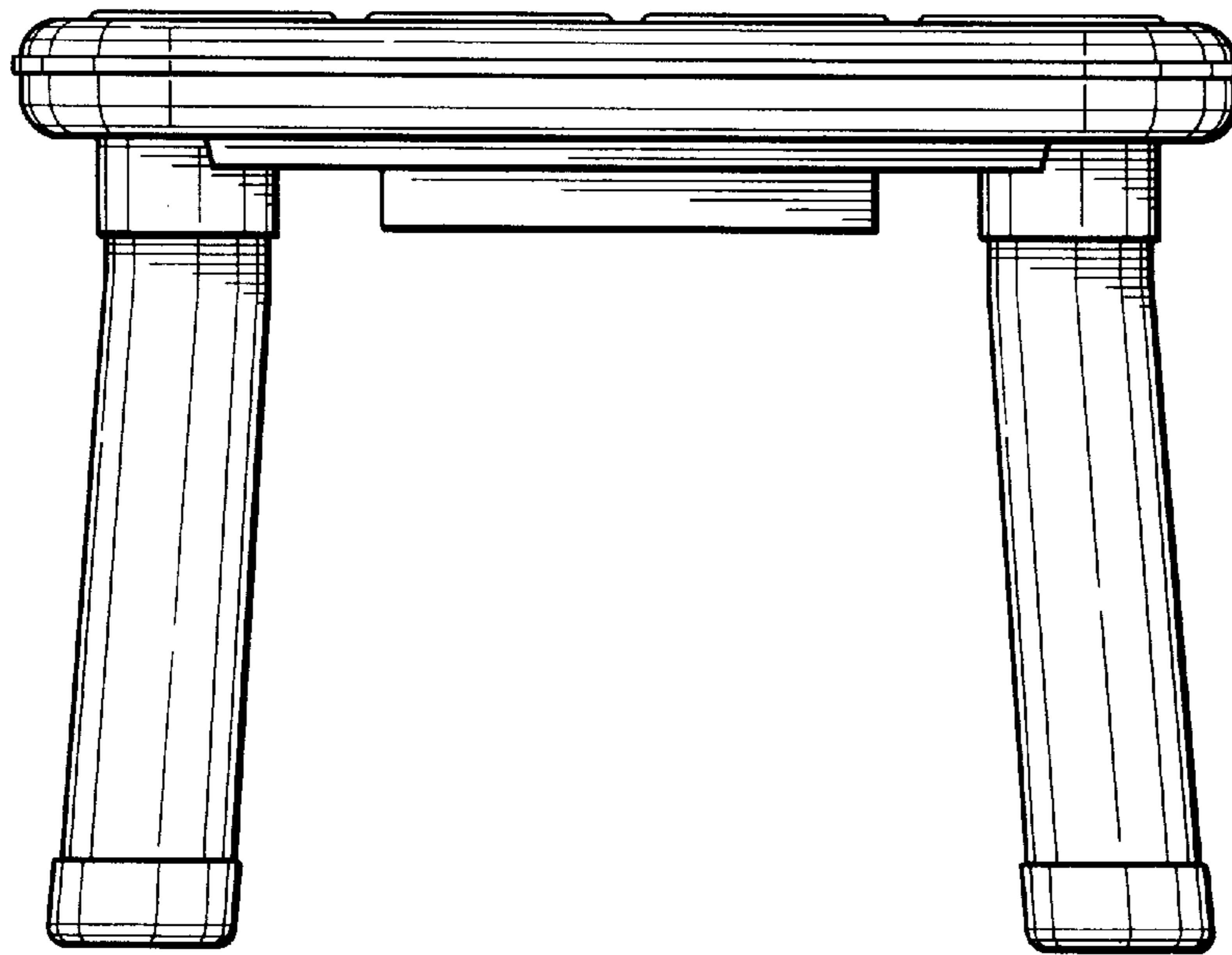


FIG. 5

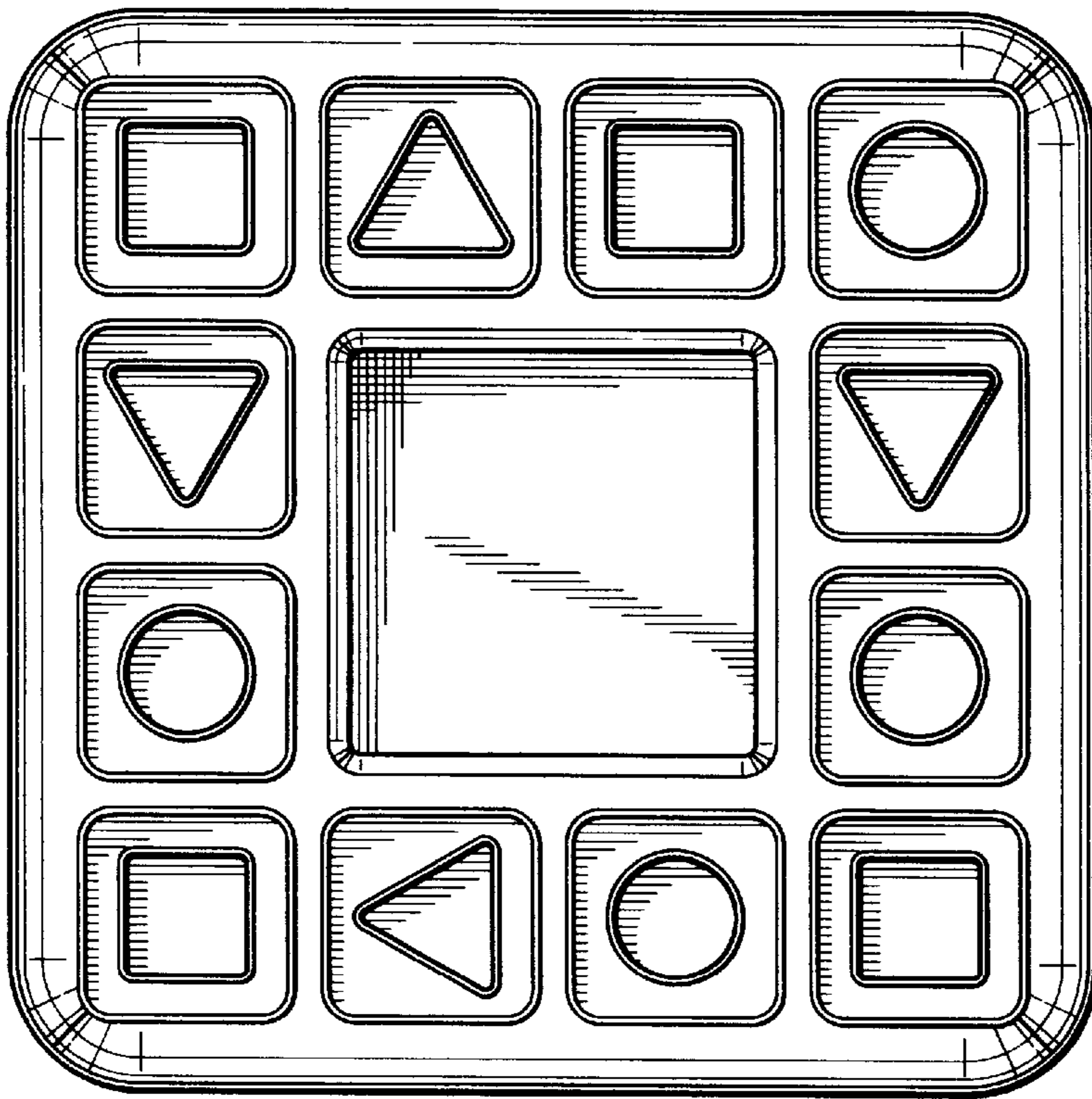


FIG. 6

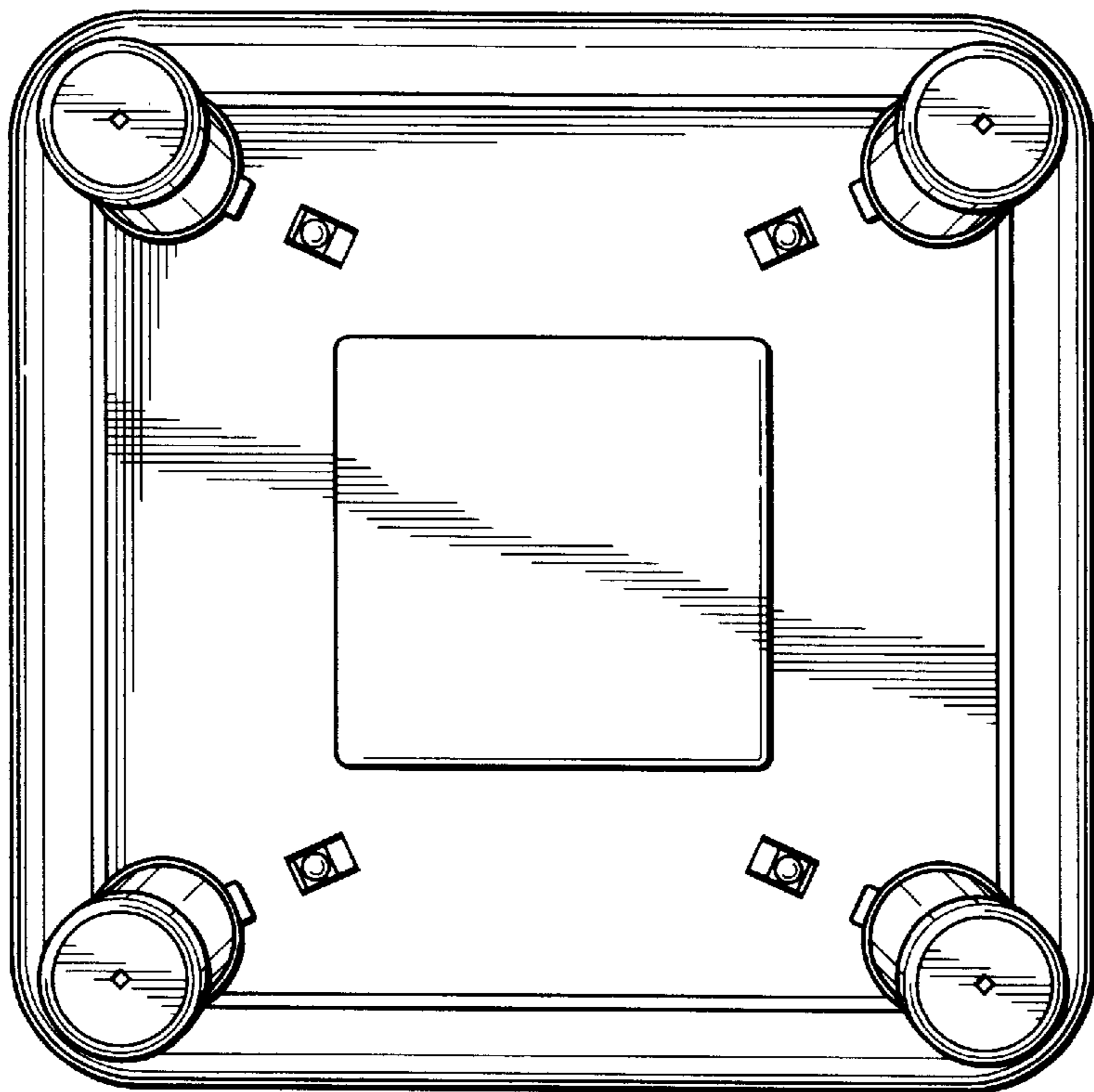


FIG. 7