



US00D399678S

# United States Patent [19]

Aquino et al.

[11] Patent Number: Des. 399,678

[45] Date of Patent: \*\*Oct. 20, 1998

[54] BOX FOR AUDIO/VISUAL MEDIA

[75] Inventors: Richard L. Aquino, Fort Lee, N.J.;  
Salvatore A. Aquino, Carolina Beach,  
N.C.

[73] Assignee: S. A. Richards, Inc., Fort Lee, N.J.

[\*\*] Term: 14 Years

[21] Appl. No.: 12,913

[22] Filed: Sep. 13, 1993

[51] LOC (6) Cl. .... 03-01

[52] U.S. Cl. .... D6/632

[58] Field of Search ..... D3/201, 206; D6/407,  
D6/408, 626, 628, 629, 630, 631, 632,  
634, 635; D9/341, 503; D16/75, 76; 206/309,  
310, 311, 312, 45.13, 1.8, 1.9, 444, 445,  
450, 473, 485, 486; 211/184, 59.4

## [56] References Cited

### U.S. PATENT DOCUMENTS

D. 310,752	9/1990	Long et al. ....	D6/632
D. 333,487	2/1993	Papp .....	D19/75
D. 337,668	7/1993	van der Molen .....	D6/407
D. 338,555	8/1993	Olson .....	D6/631
2,426,484	8/1947	Buffenbarger .....	224/151
3,576,252	4/1971	Conolly .....	206/1.8
3,746,181	7/1973	Benoit .....	211/184
4,917,429	4/1990	Giger .....	211/184
5,257,721	11/1993	Smith et al. ....	206/1.8

Primary Examiner—Celia Murphy  
Attorney, Agent, or Firm—Gottlieb, Rackman, Reisman

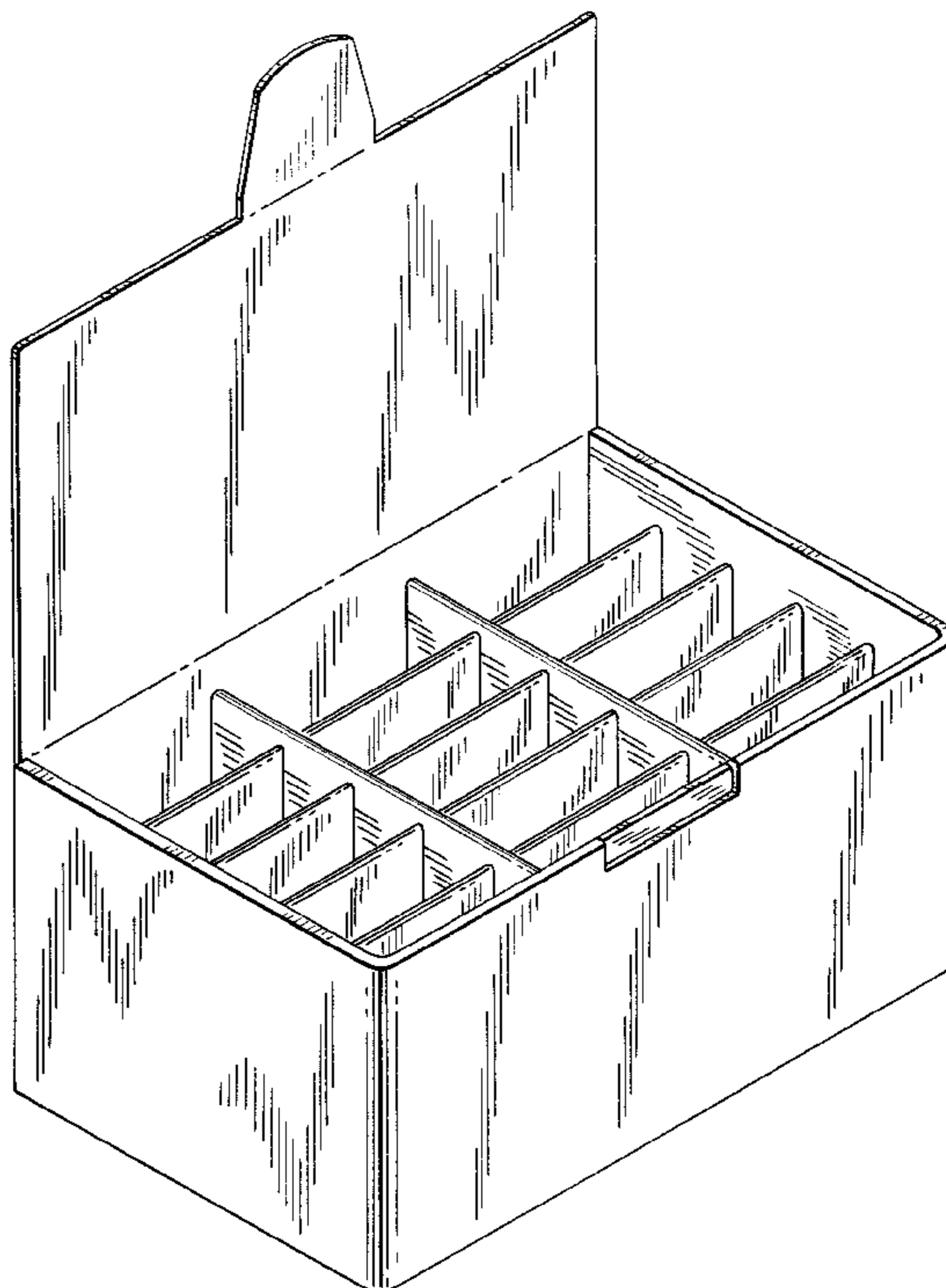
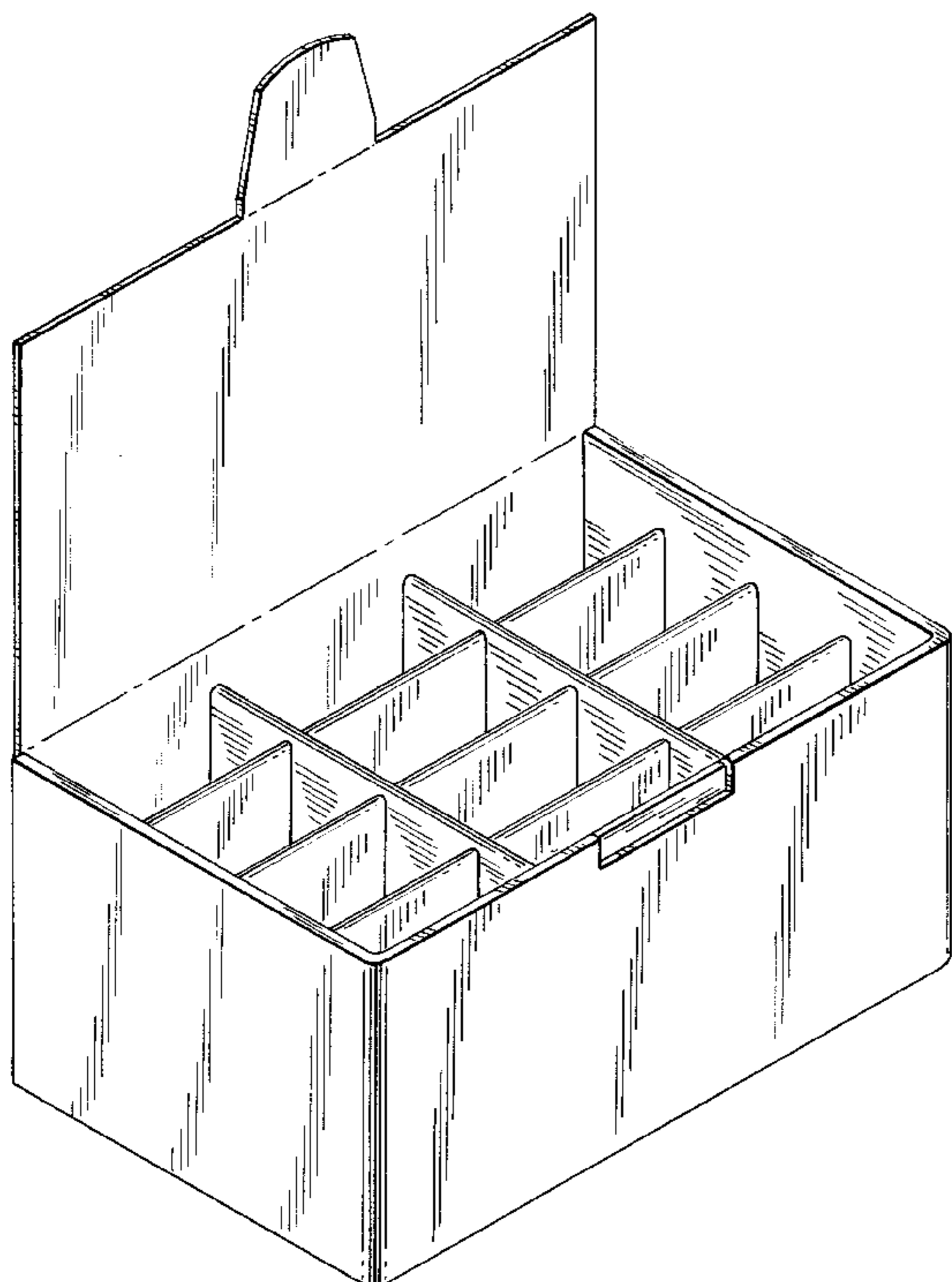
## [57] CLAIM

The ornamental design for a box for audio/visual media, as shown and described.

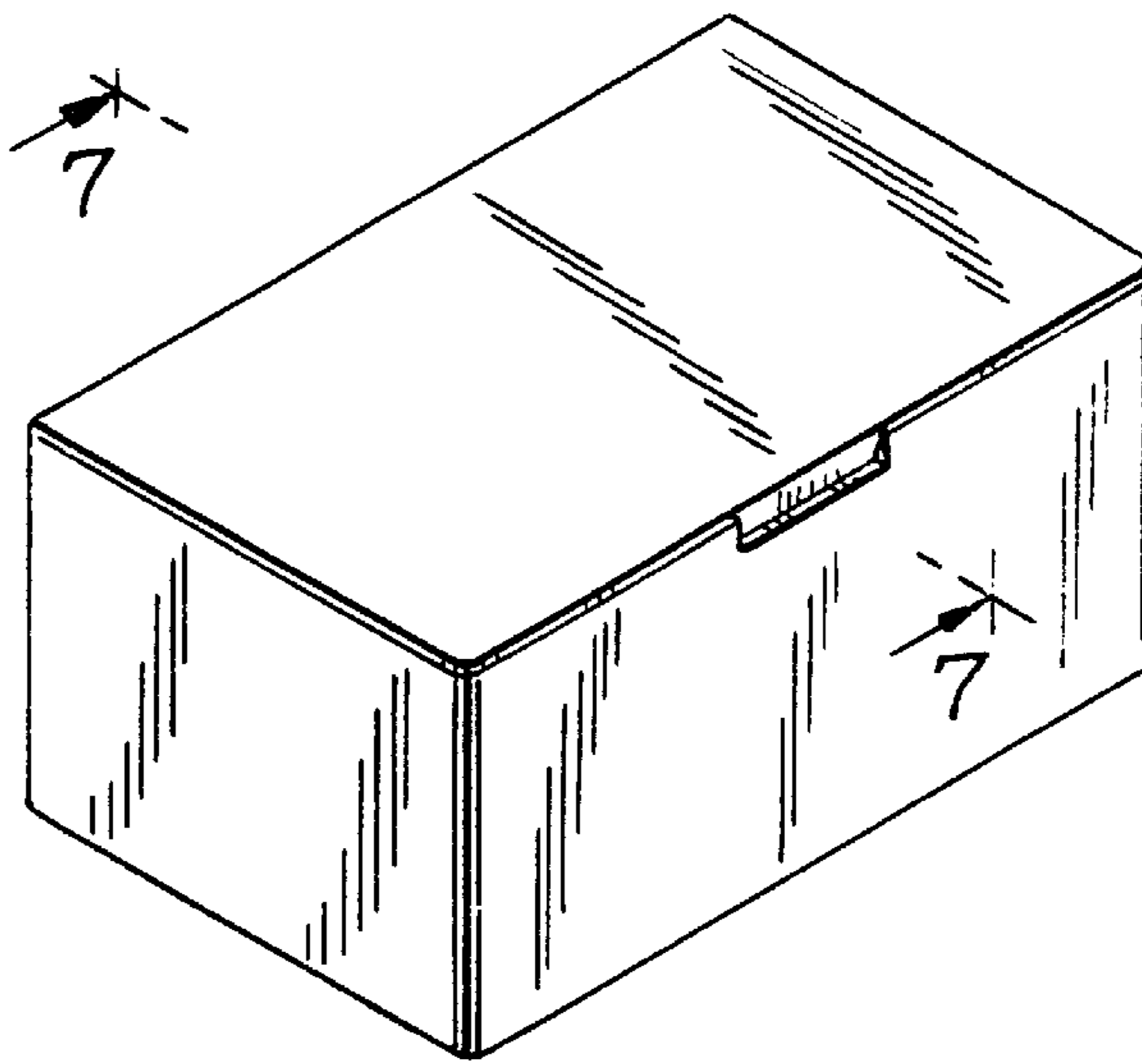
## DESCRIPTION

FIG. 1 is a perspective view of a first embodiment of the claimed invention;  
 FIG. 2 is a top plan view of a first embodiment of the claimed invention;  
 FIG. 3 is a front elevational view of a first embodiment of the claimed invention;  
 FIG. 4 is a side elevational view of a first embodiment of the claimed invention;  
 FIG. 5 is a rear elevational view of a first embodiment of the claimed invention;  
 FIG. 6 is a bottom plan view of a first embodiment of the claimed invention;  
 FIG. 7 is a cross-sectional view taken along line 7—7 of FIG. 1 of a first embodiment of the claimed invention;  
 FIG. 8 is a perspective view of a first embodiment of the claimed invention in an open configuration; and,  
 FIG. 9 is a perspective view of a second embodiment of the claimed invention in an open configuration.  
 The broken line in FIGS. 8 and 9 represent a fold-line showing the hinge between the lid of the box and the body of the box, and the hinge between the closure tab of the lid and the lid itself, respectively.

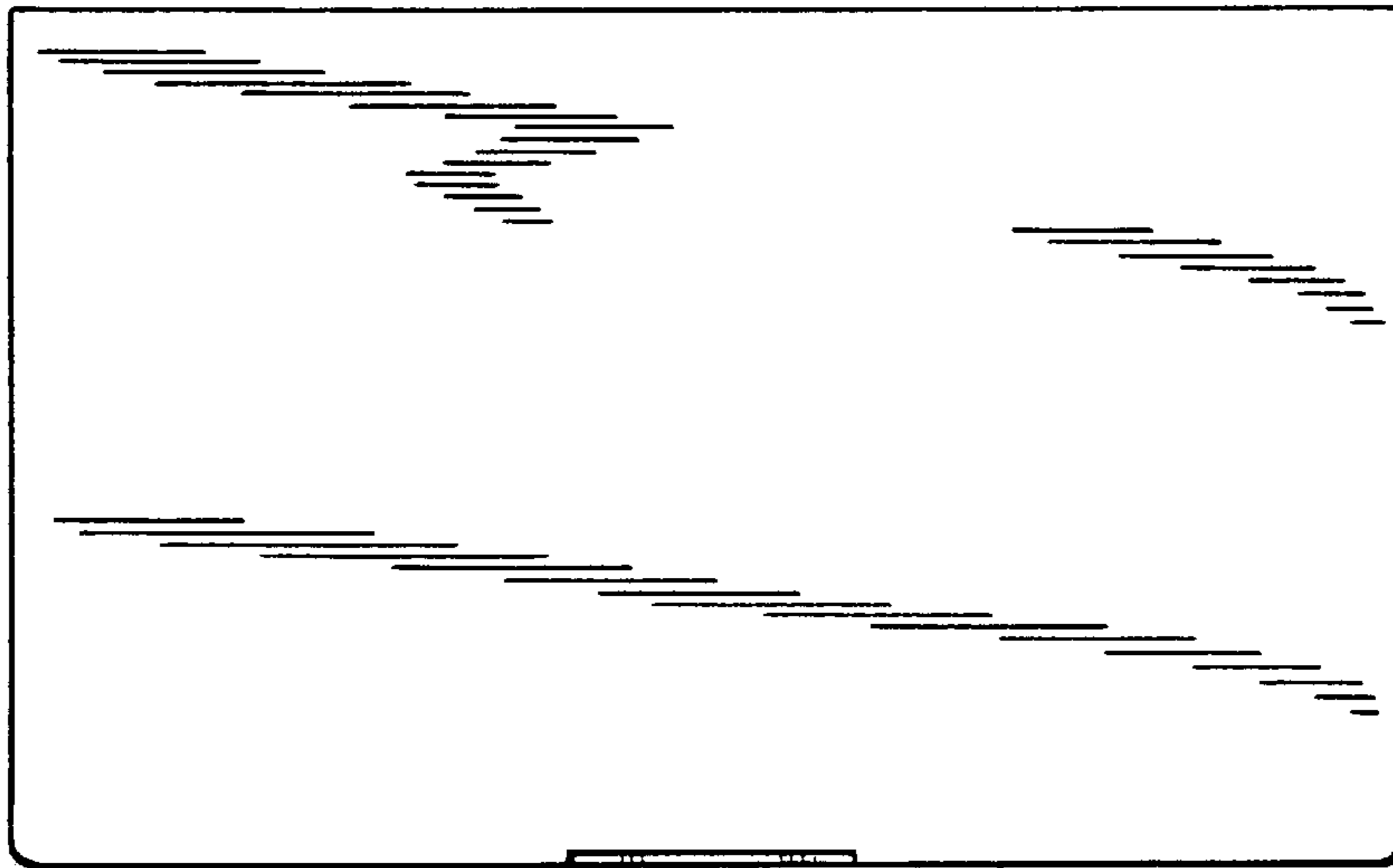
1 Claim, 4 Drawing Sheets



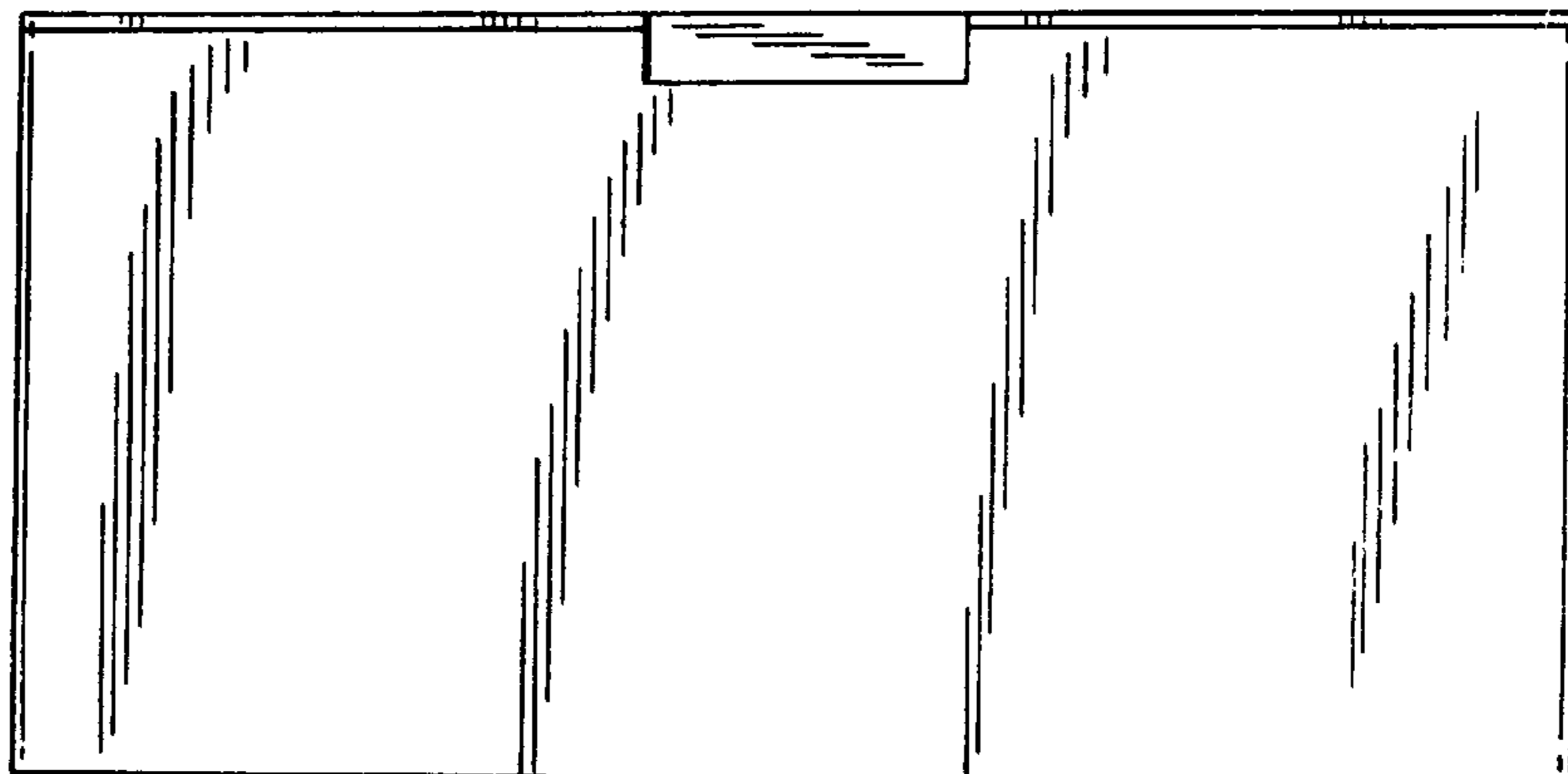
*FIG. 1*

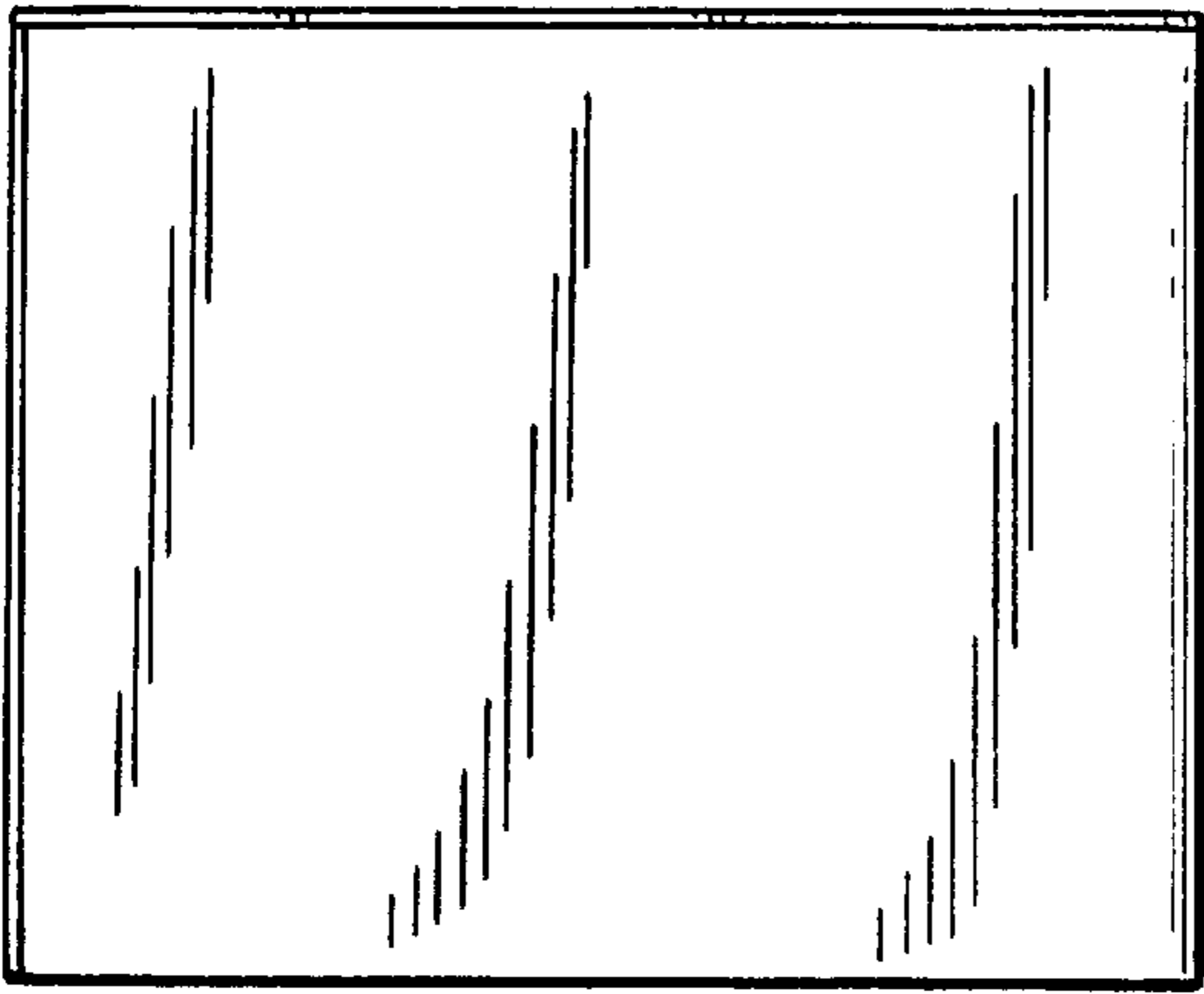


*FIG. 2*

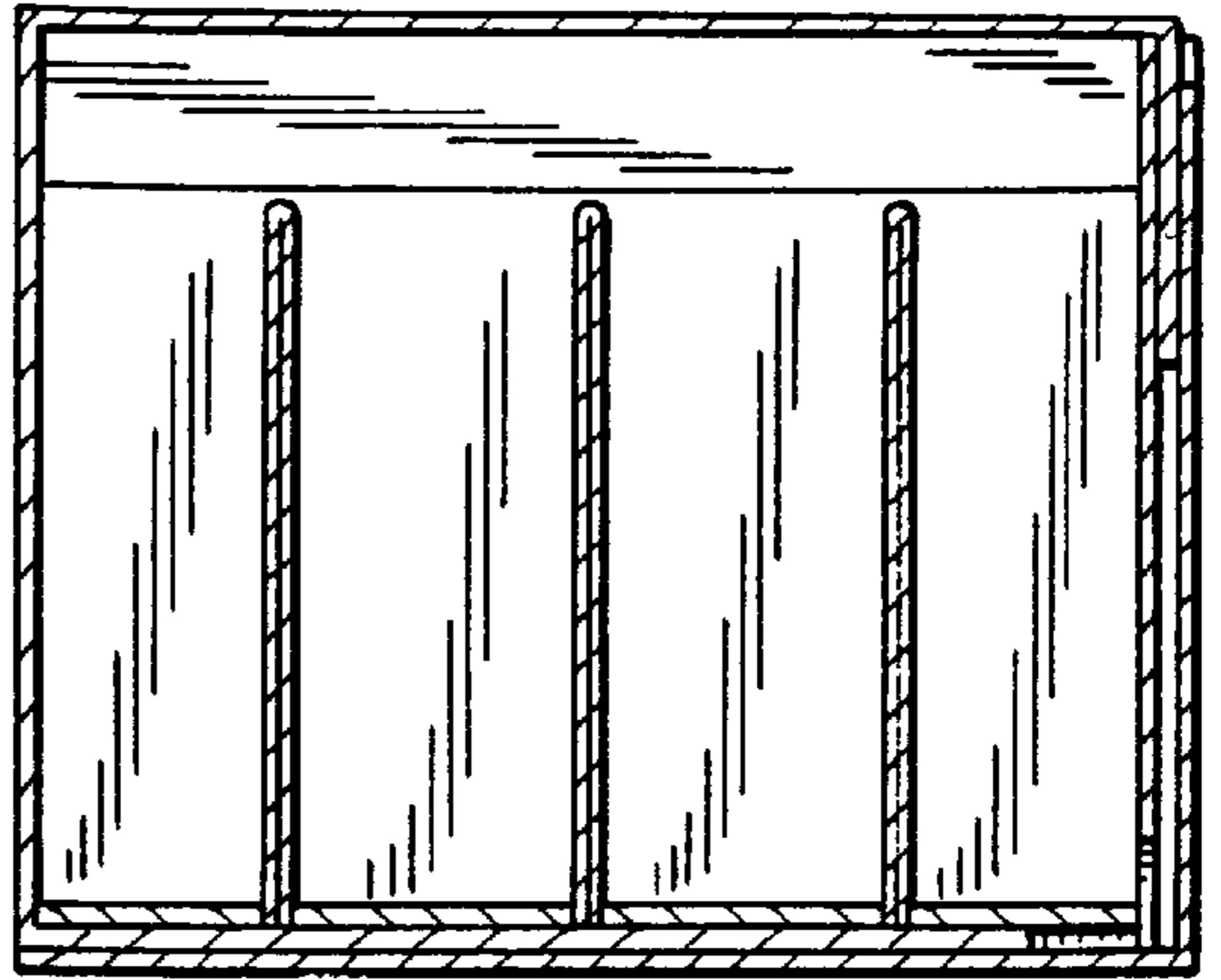


*FIG. 3*

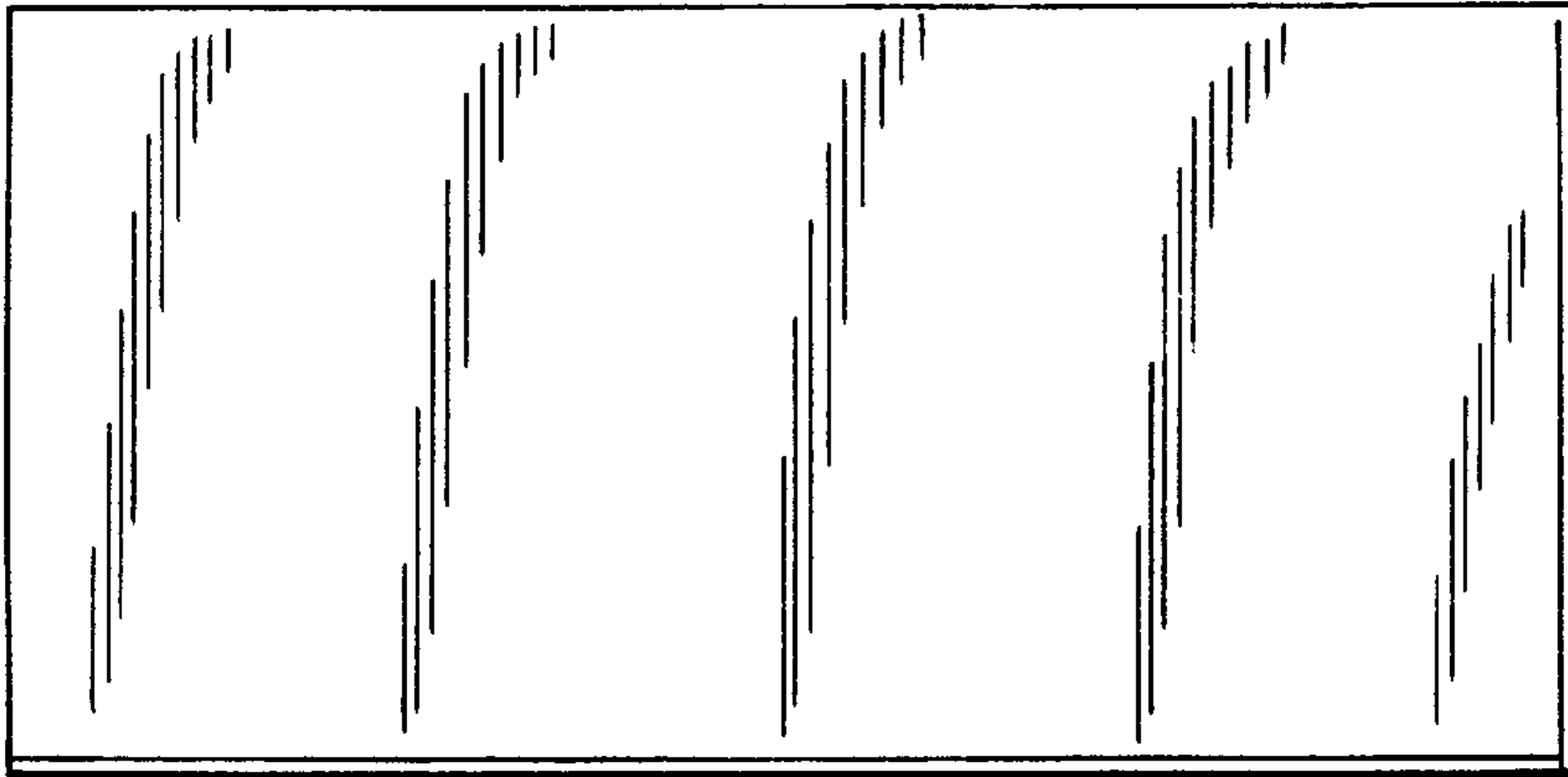




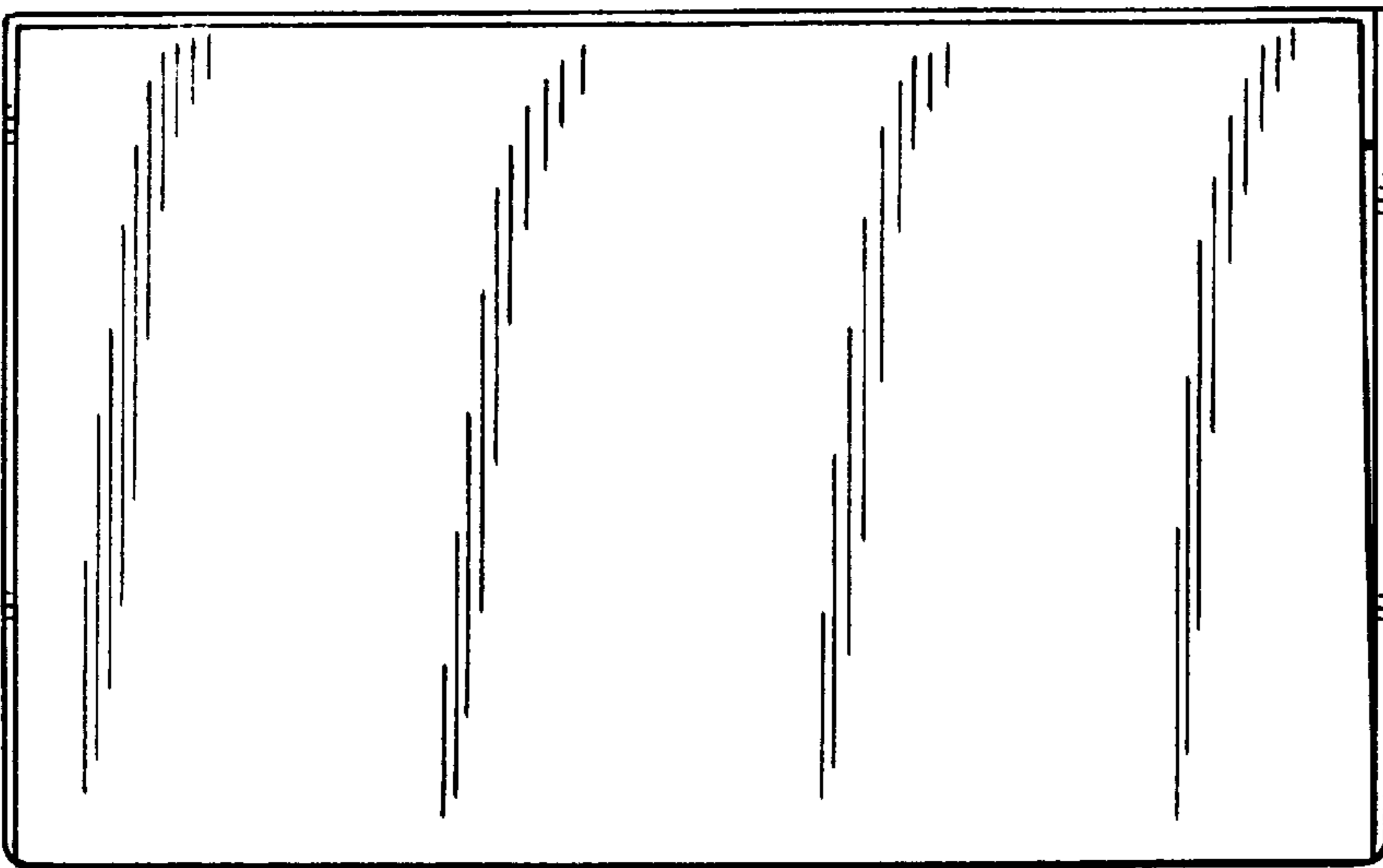
*FIG. 4*



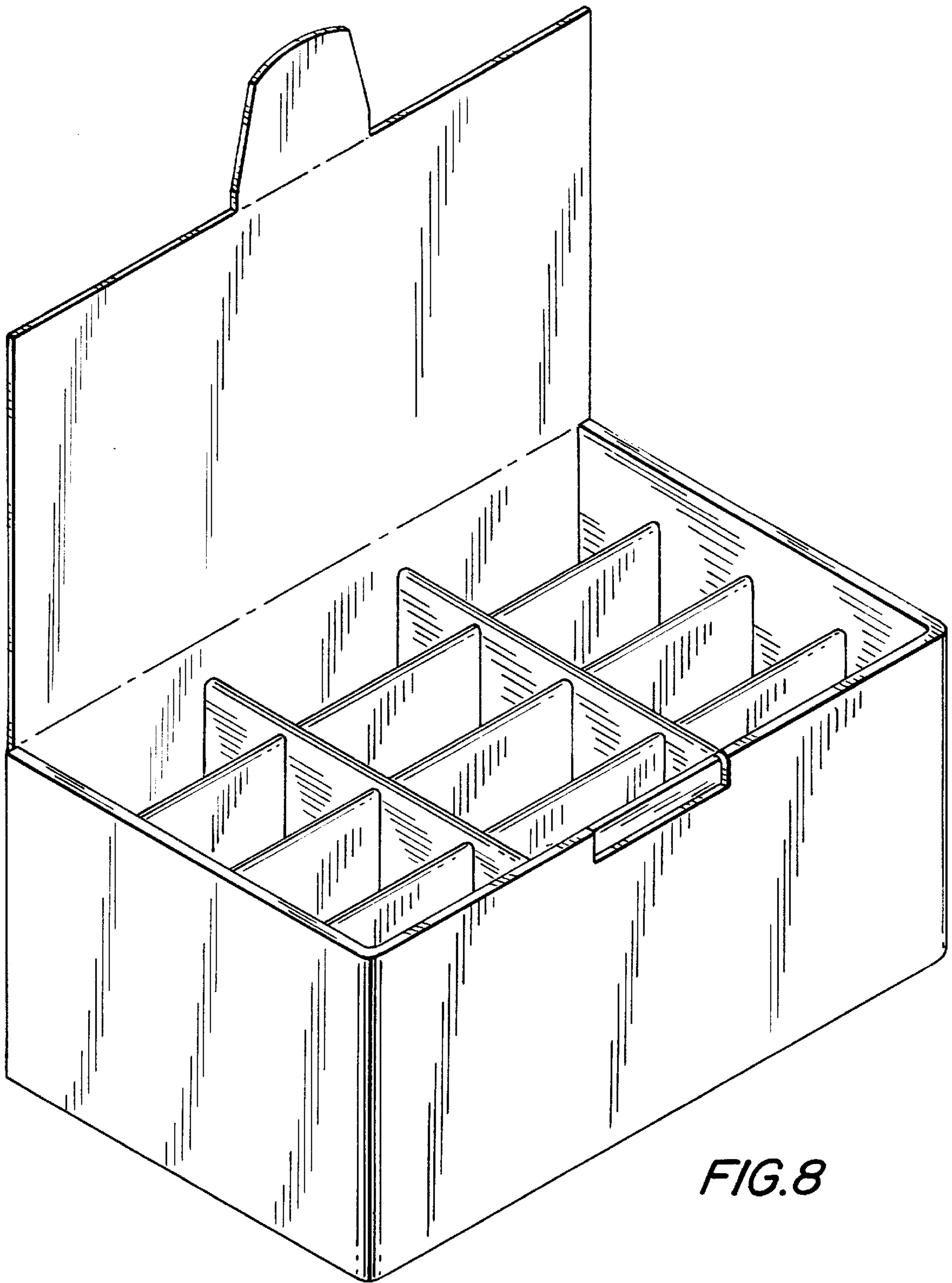
*FIG. 7*



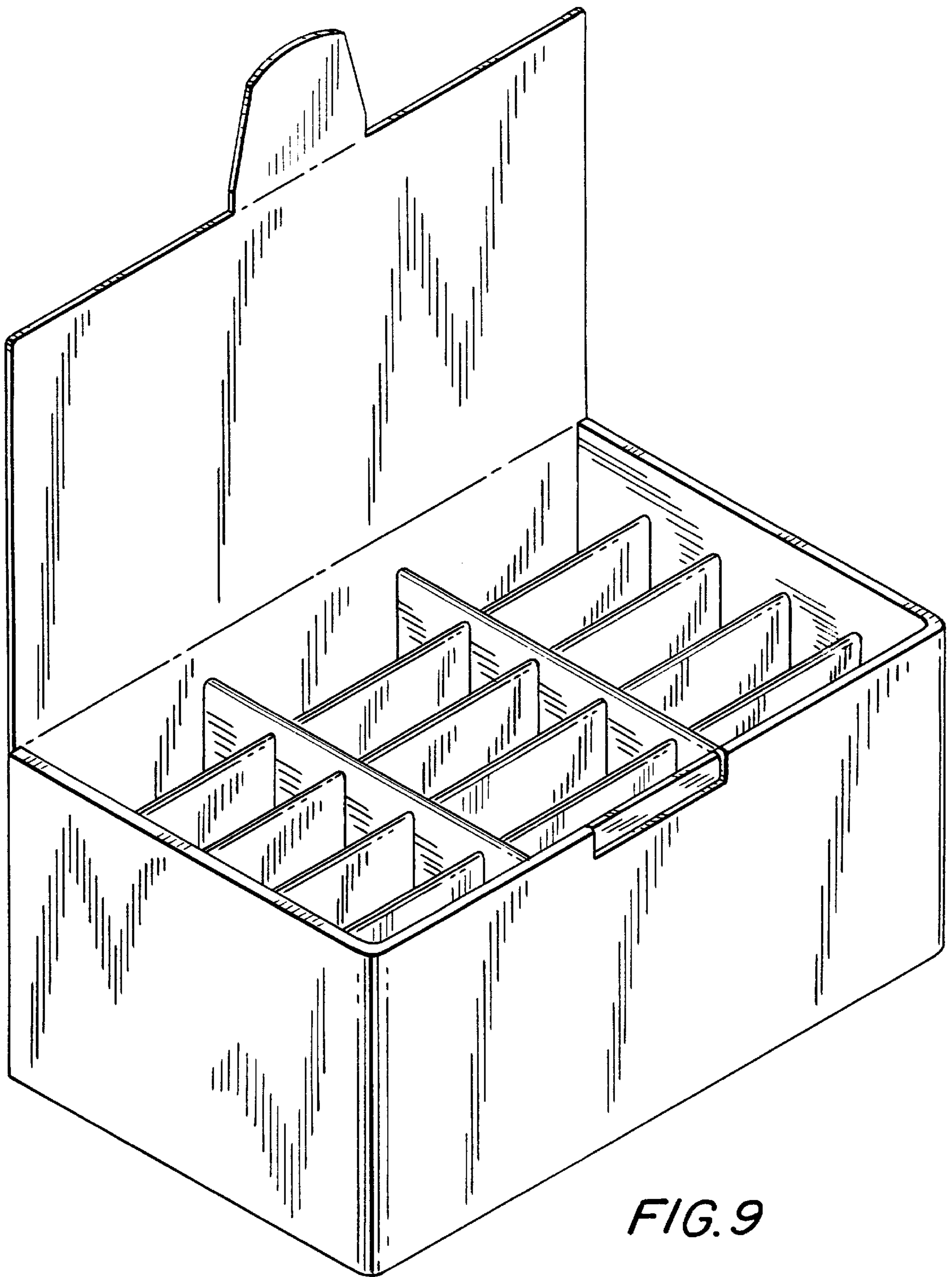
*FIG. 5*



*FIG. 6*



*FIG.8*



*FIG. 9*