



US00D399677S

United States Patent [19]

Cheris et al.

[11] Patent Number: **Des. 399,677**

[45] Date of Patent: ****Oct. 20, 1998**

[54] **COMPACT DISC BINDER**

[75] Inventors: **Albert B. Cheris**, Highland Park, Ill.;
Robert B. Staubitz, Collinsville;
Timothy Repp, New Hartford, both of
Conn.

[73] Assignee: **Tenex Corporation**, Elk Grove Village,
Ill.

[**] Term: **14 Years**

[21] Appl. No.: **61,916**

[22] Filed: **Nov. 1, 1996**

[51] **LOC (6) Cl.** **06-04**

[52] **U.S. Cl.** **D6/631; D6/626; D6/629**

[58] **Field of Search** **D6/407, 408, 626-635;**
206/444, 450, 311, 312, 308.1, 308.3

[56] **References Cited**

U.S. PATENT DOCUMENTS

D. 332,005	12/1992	Walasek .	
1,121,446	12/1914	Alter .	
2,625,935	1/1953	Marano	206/311
4,518,275	5/1985	Rauch, III et al.	206/308.3
4,538,730	9/1985	Wu	206/444
4,724,957	2/1988	Burgschweiger	206/309
4,778,047	10/1988	Lay	206/308.1
4,823,950	4/1989	Roze	206/311
4,875,743	10/1989	Gelardi et al.	206/309
5,000,316	3/1991	Lerner	206/309
5,011,010	4/1991	Francis et al.	206/307
5,176,250	1/1993	Cheng	206/45.13
5,180,058	1/1993	Hu	206/309
5,322,162	6/1994	Melk	206/310

5,334,904	8/1994	Kramer	312/9.57
5,366,073	11/1994	Turrentine et al.	206/309
5,477,960	12/1995	Chen	206/308.1
5,495,939	3/1996	Castritis	206/307
5,495,940	3/1996	Taniyama	206/308.1
5,505,299	4/1996	Ditzig et al.	206/308.1
5,513,749	5/1996	Simmons	206/308.1
5,531,322	7/1996	Iwaki et al.	206/308.3
5,590,769	1/1997	Lin	206/308.1

OTHER PUBLICATIONS

Tenex **MEDIAWORX™** Multi Media Disc Tower Packag-
ing. ©1995.

Tenex **MEDIAWORX™** Media Storage Catalog ©1996.

Primary Examiner—Doris V. Coles

Attorney, Agent, or Firm—Lockwood, Alex, FitzGibbon &
Cummings

[57] **CLAIM**

The ornamental design for a compact disc binder, as shown
and described.

DESCRIPTION

FIG. 1 is a top plan view of a binder for compact discs
showing our new design;
FIG. 2 is a front elevational view thereof;
FIG. 3 is a side elevational view thereof taken from the
bottom of FIG. 1;
FIG. 4 is a rear elevational view thereof;
FIG. 5 is a perspective view thereof showing the binder in
a closed condition; and,
FIG. 6 is a perspective view thereof showing the binder in
an open condition.

1 Claim, 2 Drawing Sheets

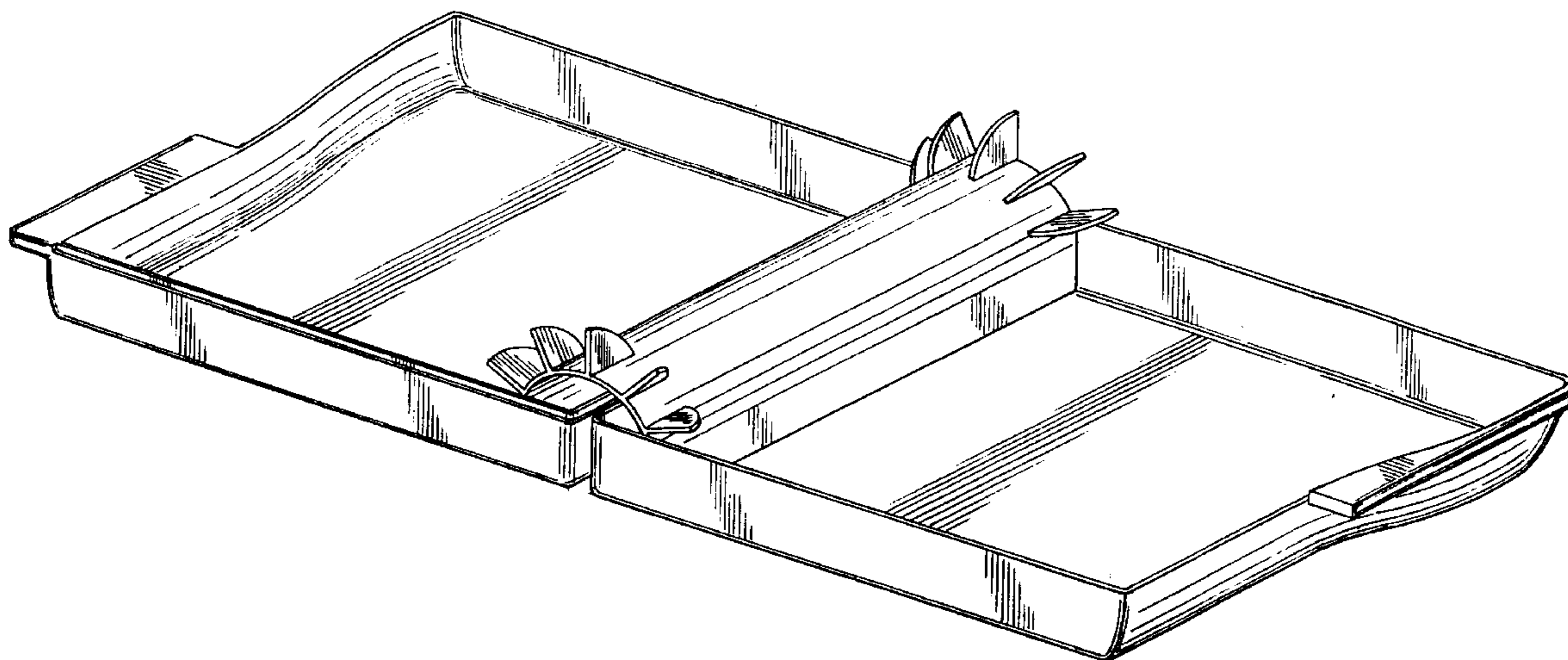


FIG.1

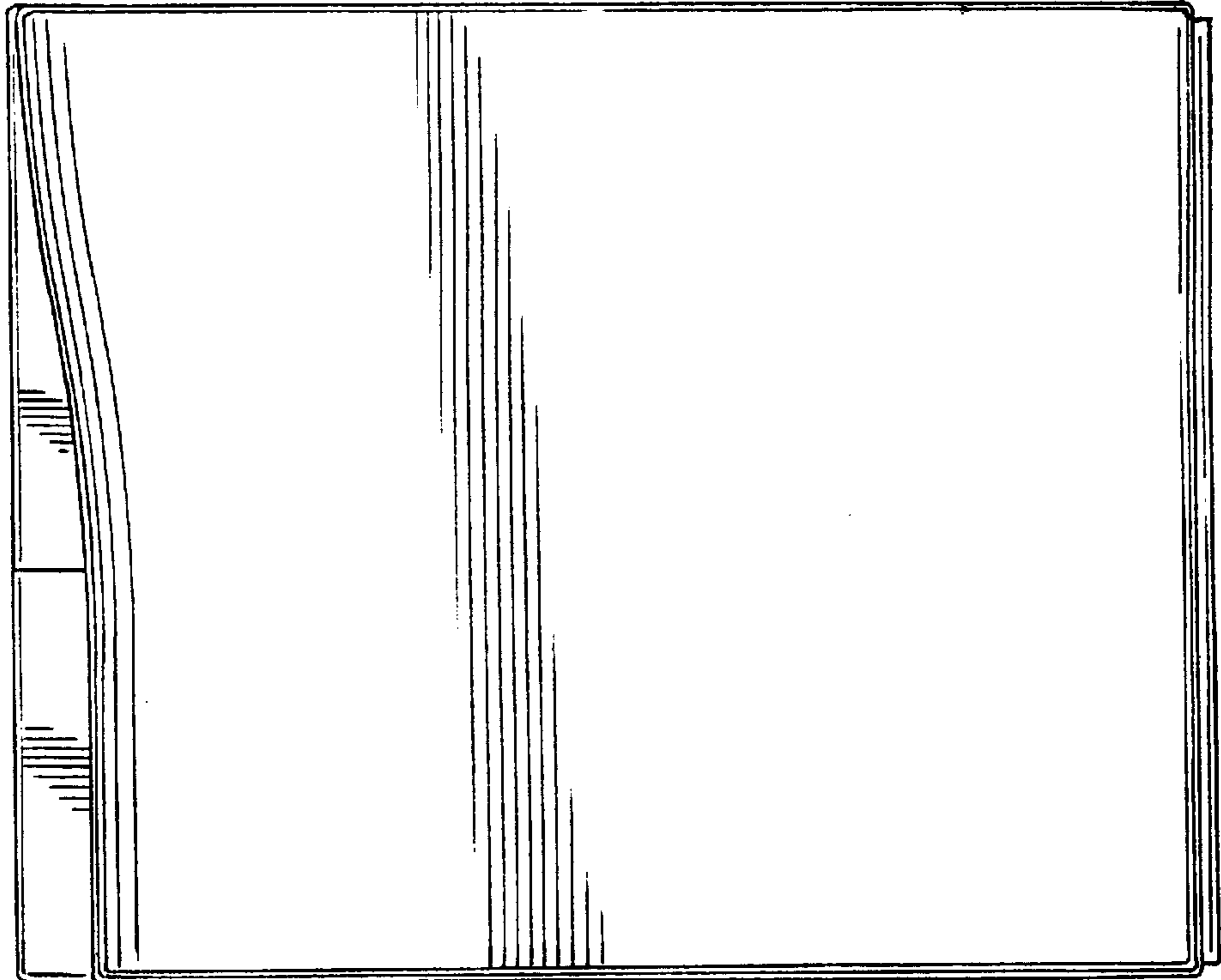


FIG.2

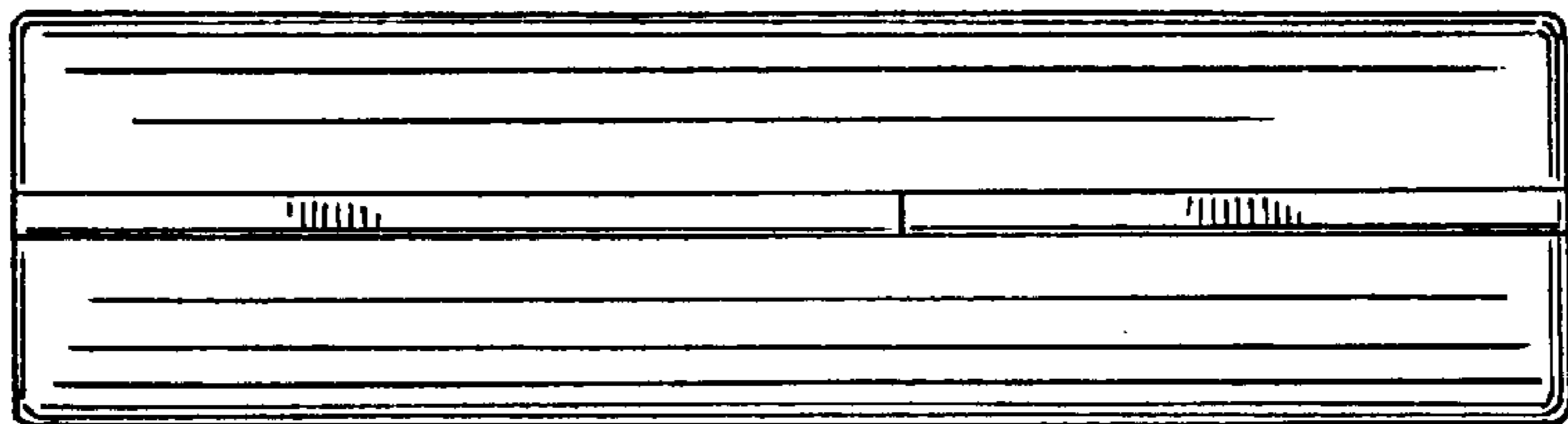


FIG.3

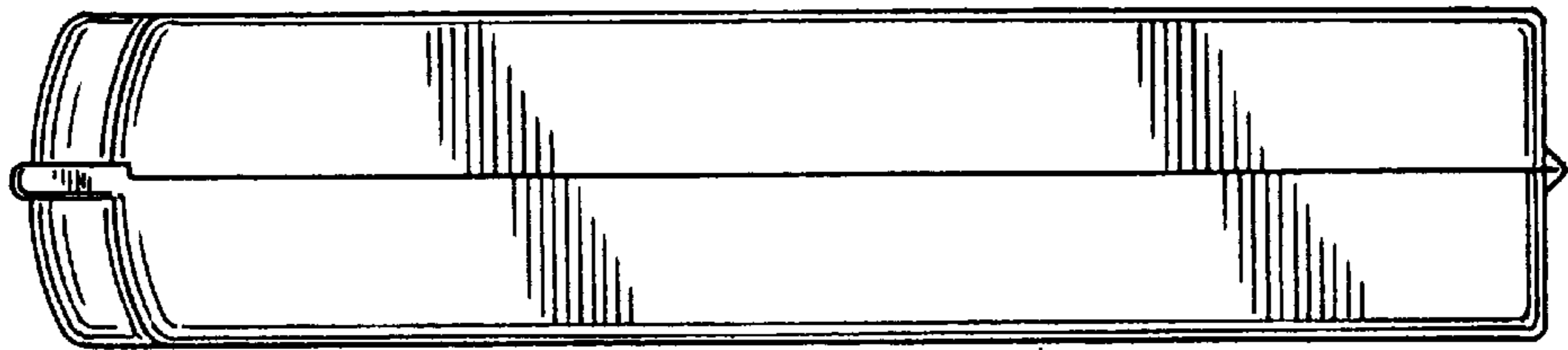
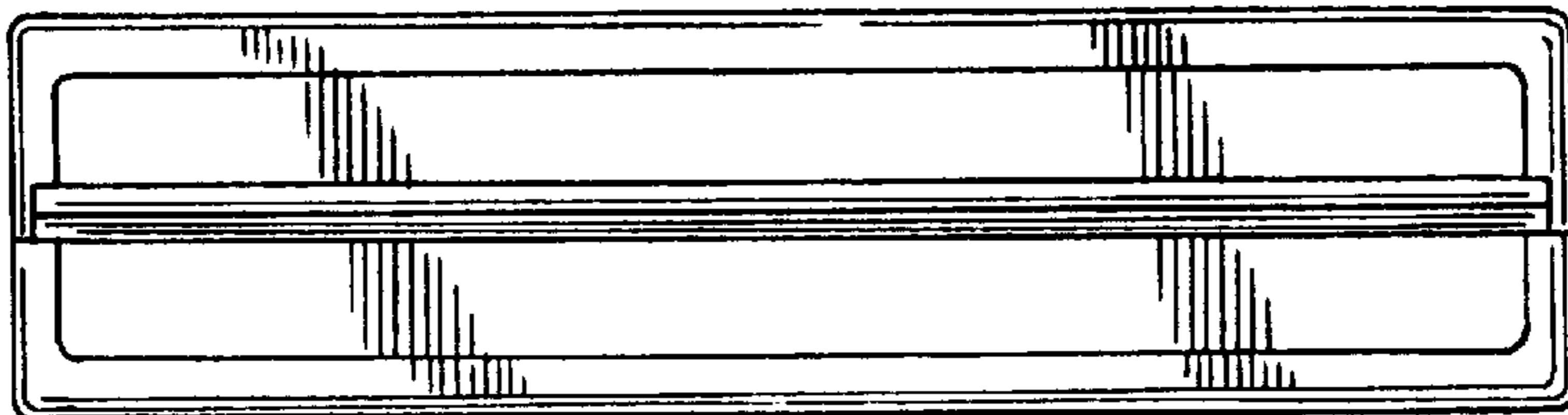


FIG.4



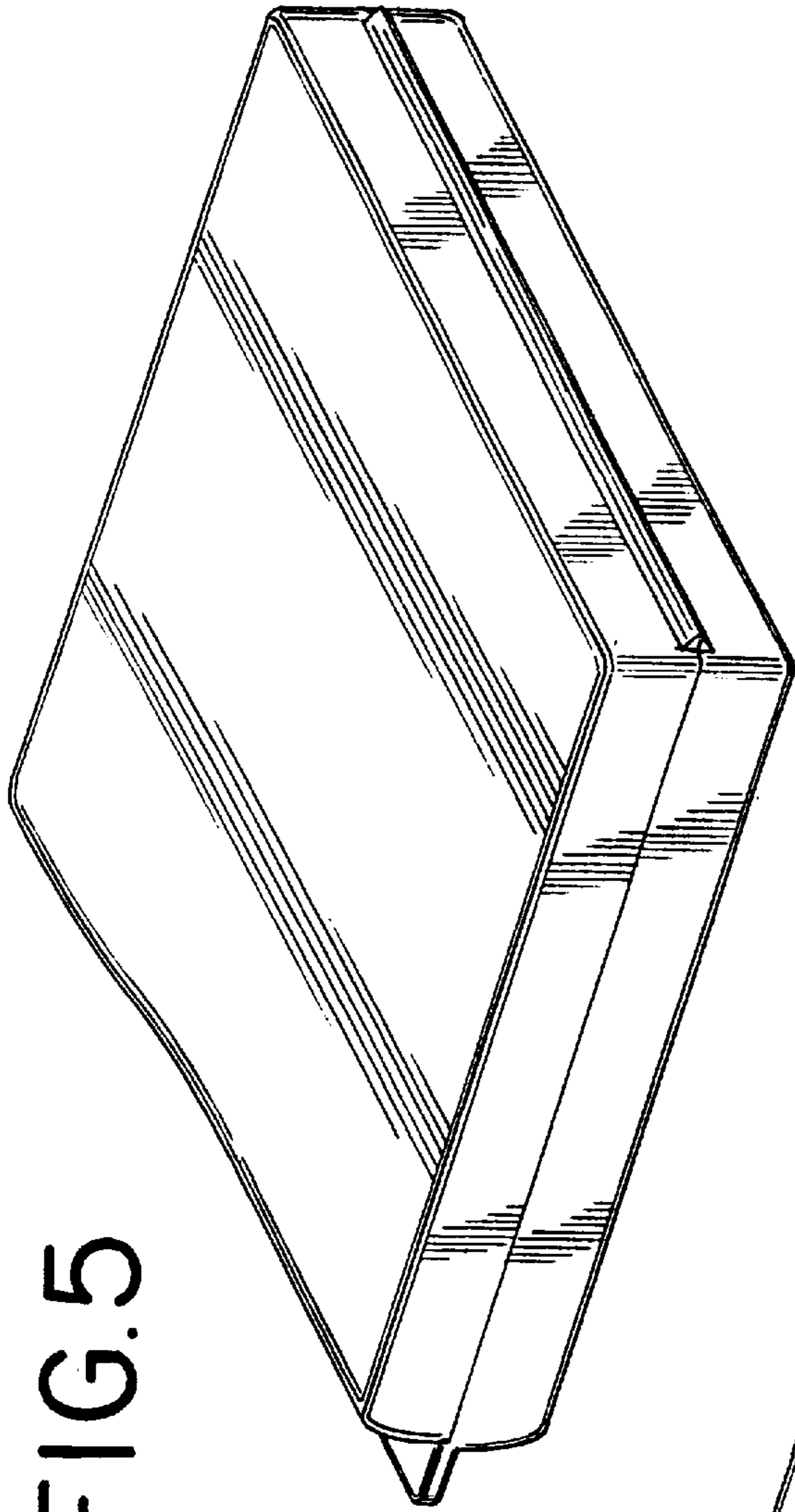


FIG. 5

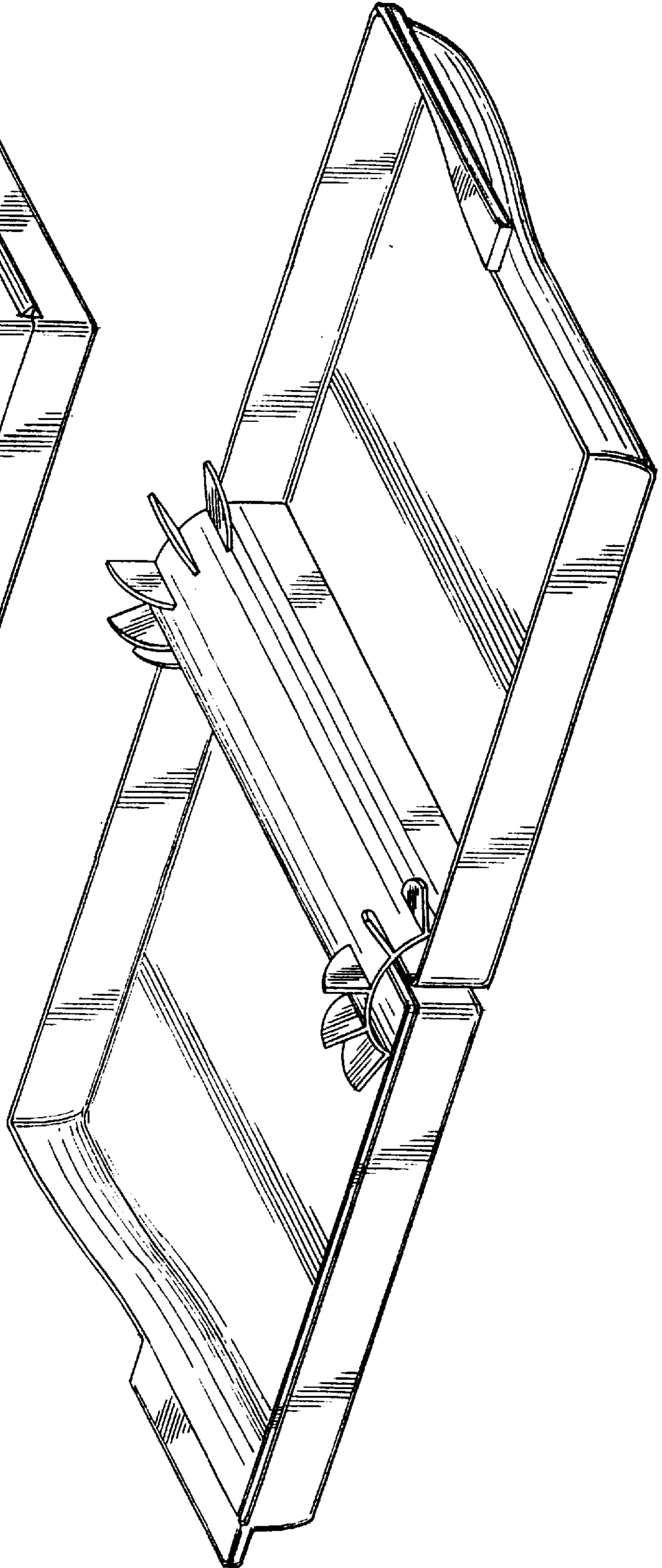


FIG. 6