



US00D399676S

United States Patent [19] Gerlach

[11] **Patent Number: Des. 399,676**

[45] **Date of Patent: **Oct. 20, 1998**

[54] **BABY BLANKET FOR CARRIAGES AND CAR SEATS**

5,611,095 3/1997 Schneider 2/69 X

FOREIGN PATENT DOCUMENTS

[76] Inventor: **Doris T. Gerlach**, 654 Clark Ave., Keyport, N.J. 07735

12702 4/1915 United Kingdom 2/69

[**] Term: **14 Years**

Primary Examiner—Janice E. Seeger
Attorney, Agent, or Firm—David L. Volk

[21] Appl. No.: **68,404**

[57] CLAIM

[22] Filed: **Apr. 2, 1997**

The ornamental design for a baby blanket for carriages and car seats, as shown and described.

[51] **LOC (6) Cl.** **06-13**

DESCRIPTION

[52] **U.S. Cl.** **D6/603**

[58] **Field of Search** D6/595, 596, 601–603; D2/718–719; 5/494, 413 R, 485, 495; 2/69, 69.5, 84, 88

FIG. 1 is a perspective view of a baby blanket for carriages and car seats showing my new design;

FIG. 2 is a left side elevational view thereof, the opposite side being a mirror image;

FIG. 3 is a front elevational view thereof;

FIG. 4 is a rear elevational view thereof;

FIG. 5 is a top plan view thereof;

FIG. 6 is a bottom plan view thereof; and,

FIG. 7 is a perspective view thereof, shown in use.

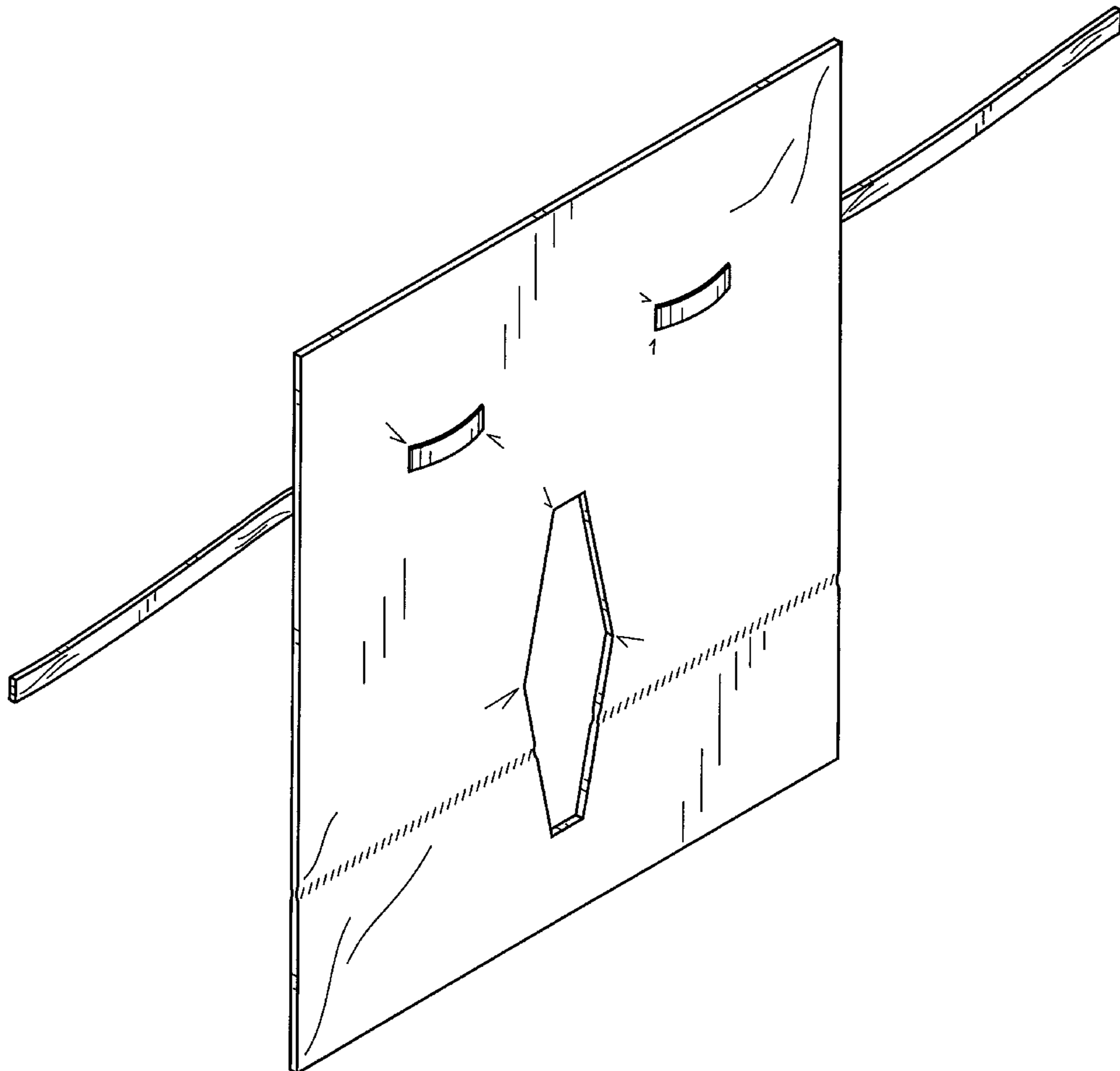
The broken line illustration shows environmental structure and forms no part of the claimed invention. The series of diagonal lines in FIGS. 1, 3 and 4 represents stitching.

[56] References Cited

U.S. PATENT DOCUMENTS

D. 269,474	6/1983	Mundy	D2/17
D. 330,990	11/1992	Barnes	D6/603
2,701,885	2/1955	Turco	2/69.5
4,125,903	11/1978	Farrell	2/69.5
4,583,253	4/1986	Hall	5/94
4,993,090	2/1991	Nanalli	5/482
5,243,724	9/1993	Barnes	5/482
5,309,586	5/1994	Sies et al.	5/482

1 Claim, 5 Drawing Sheets



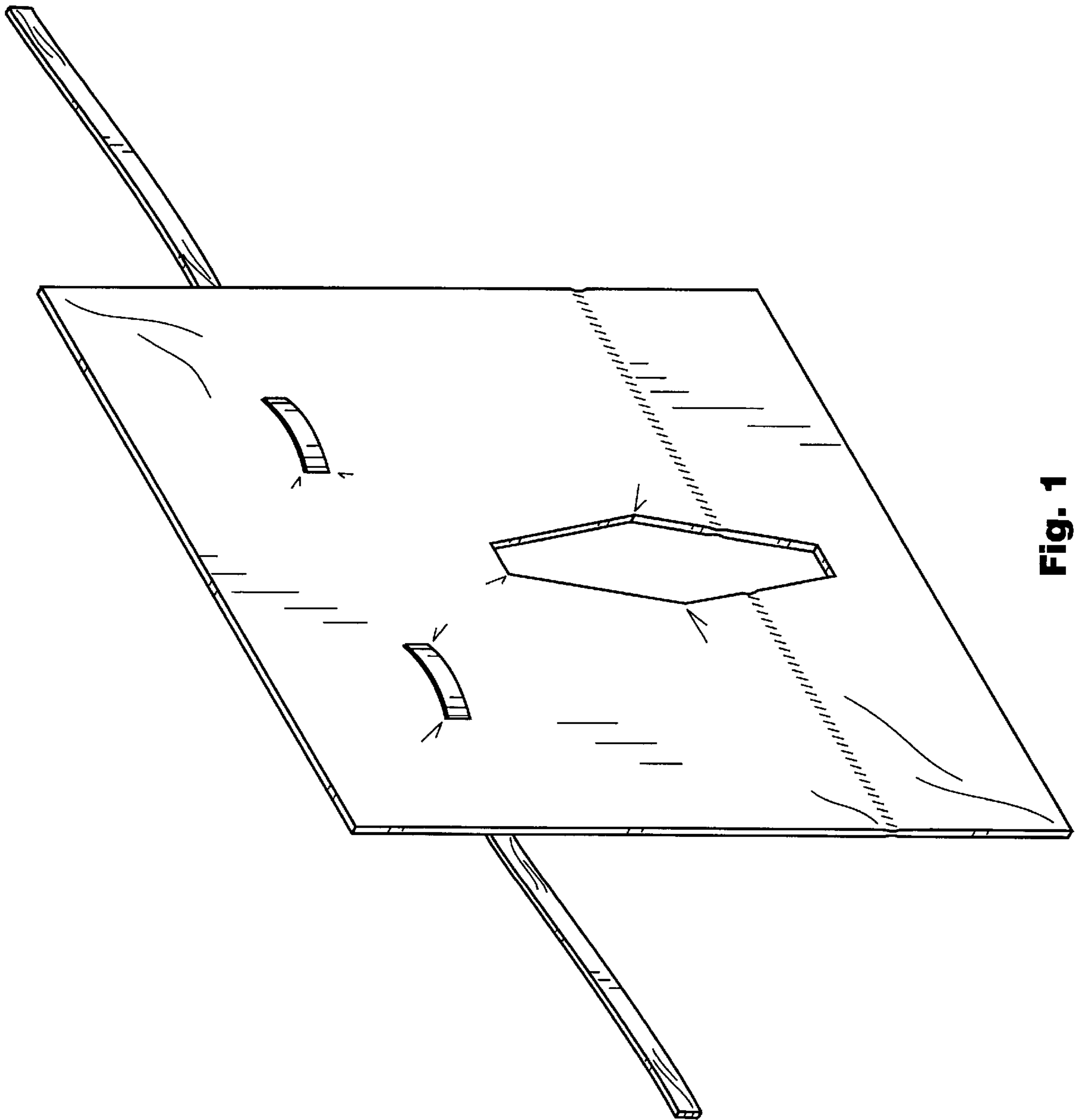


Fig. 1

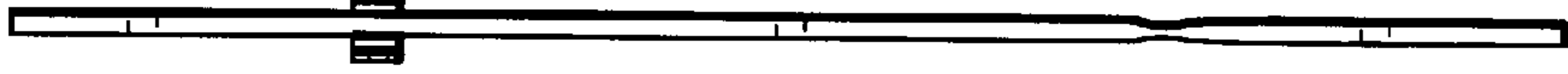


Fig. 2

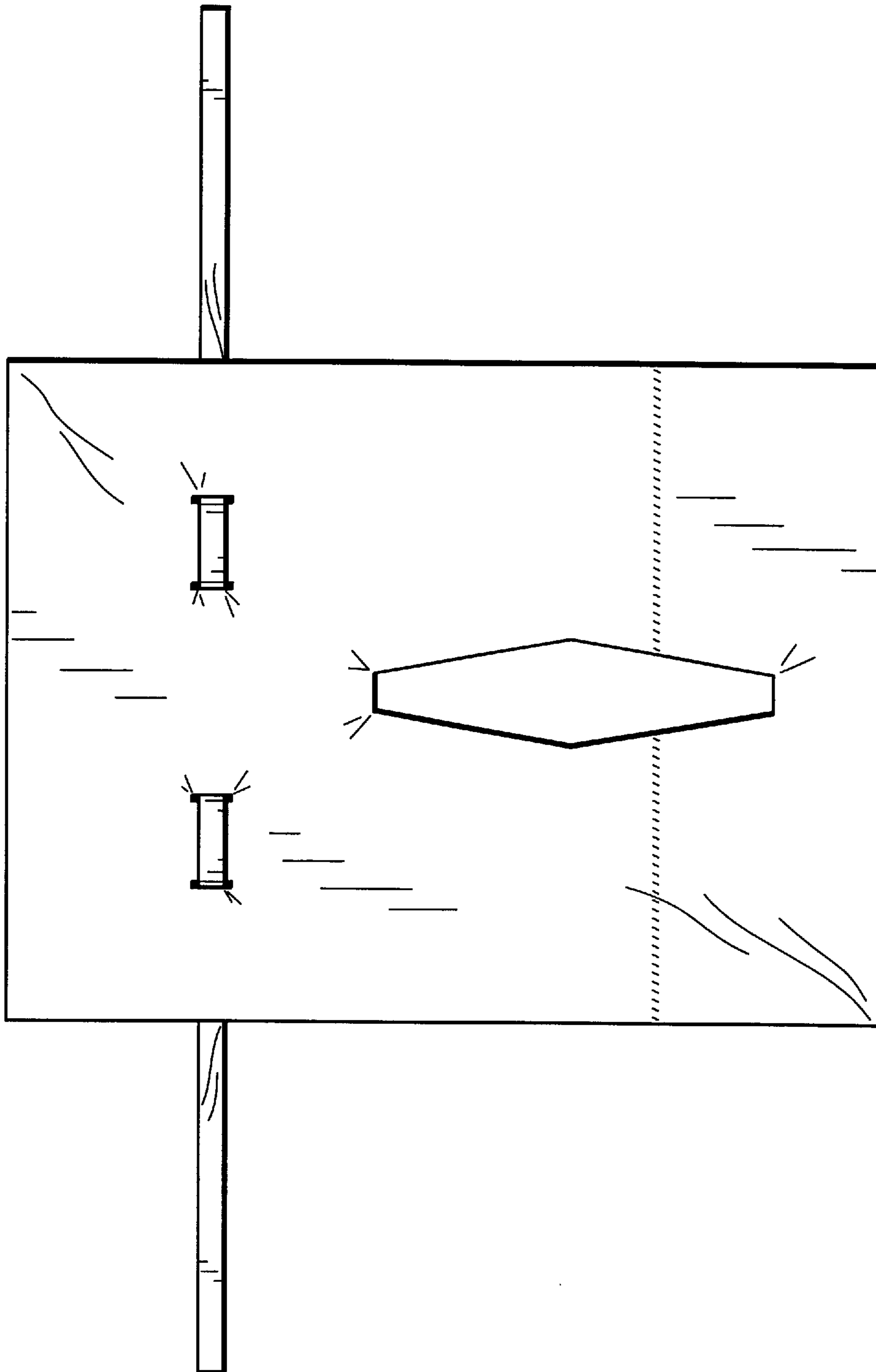


Fig. 3

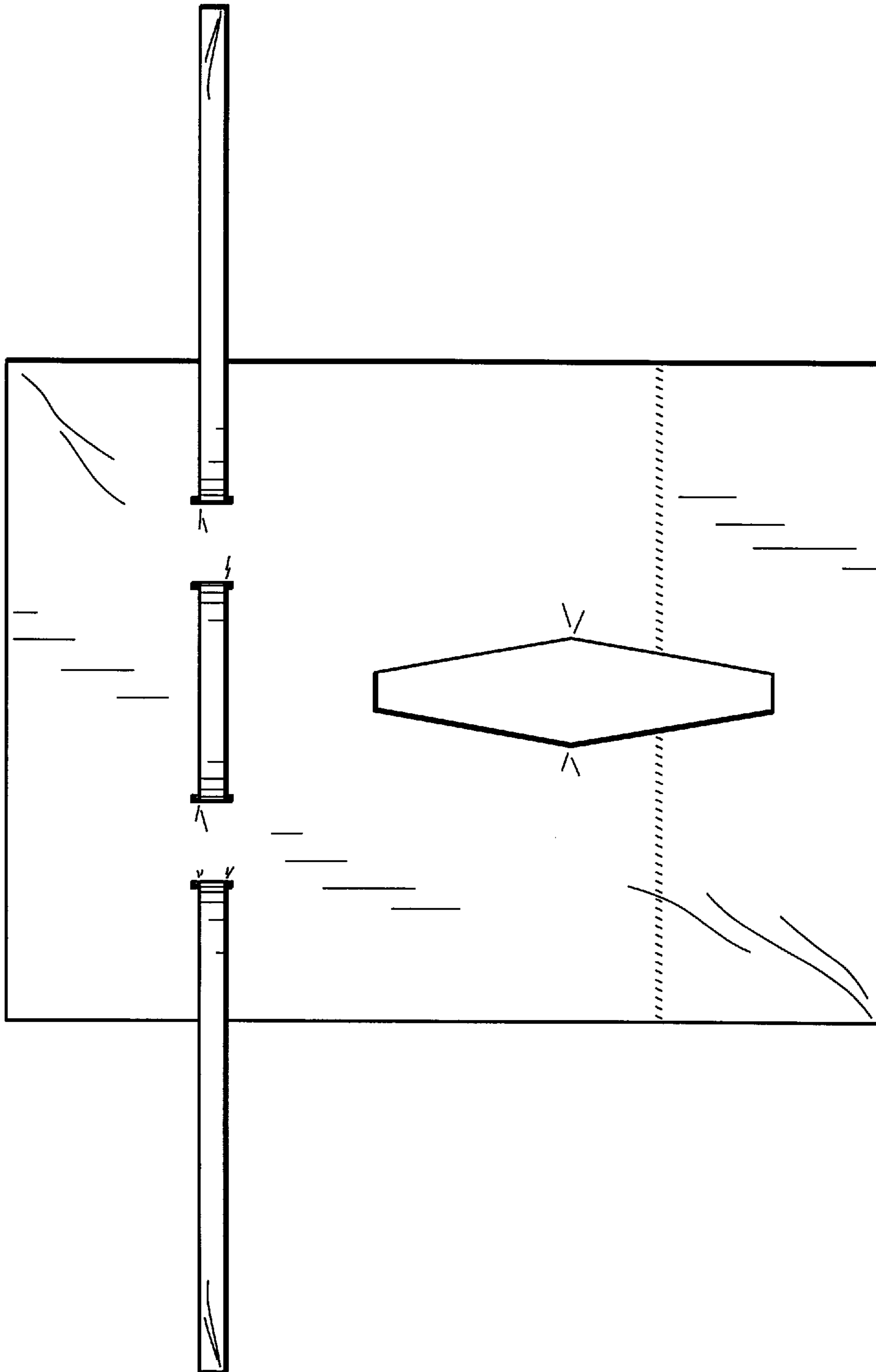


Fig. 4



Fig. 5



Fig. 6

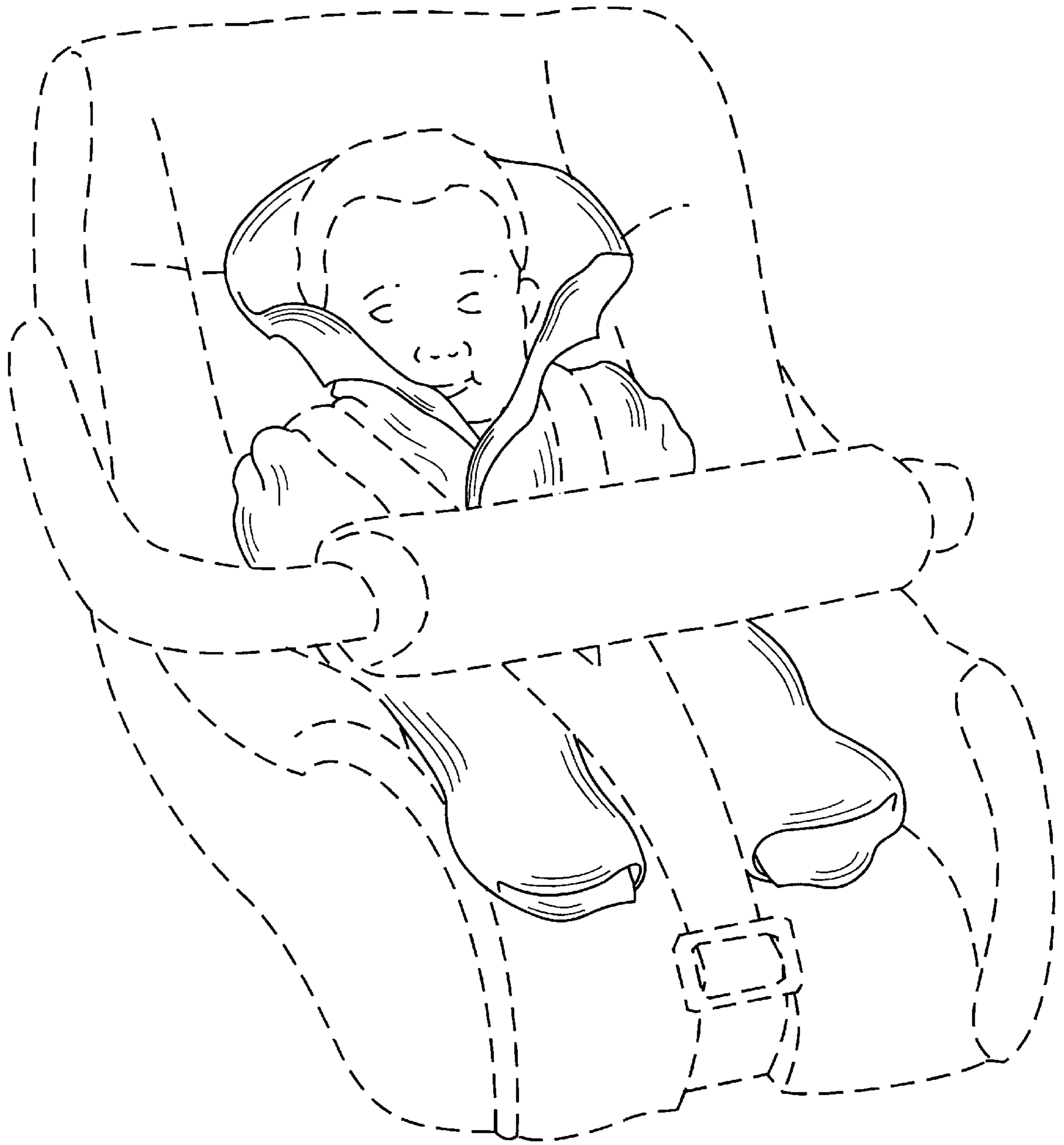


Fig. 7