



US00D399670S

# United States Patent [19]

Miller et al.

[11] Patent Number: **Des. 399,670**

[45] Date of Patent: **\*\*Oct. 20, 1998**

[54] **MODULAR SUPPORT STAND COMPONENT FOR GAMING MACHINES**

5,083,512 1/1992 Newhouse et al. .... 108/50  
5,120,060 6/1992 Parker et al. .... 273/138.2  
5,184,886 2/1993 Handley et al. .... 312/107

[75] Inventors: **Dennis D. Miller; Robert G. Dixon,**  
both of Las Vegas, Nev.

### OTHER PUBLICATIONS

Equipto catalog cover, May 1986.

[73] Assignee: **Chempower, Inc.,** Akron, Ohio

*Primary Examiner*—Jeffrey Asch  
*Attorney, Agent, or Firm*—Rankin, Hill, Porter & Clark LLP

[\*\*] Term: **14 Years**

[21] Appl. No.: **70,973**

### [57] CLAIM

[22] Filed: **May 20, 1997**

The ornamental design for a modular support stand component for gaming machines, as shown and described.

[51] **LOC (6) Cl.** ..... **06-04**

### DESCRIPTION

[52] **U.S. Cl.** ..... **D6/442; D6/432**

[58] **Field of Search** ..... D6/432-448, 396,  
D6/481, 509, 510, 491, 495; 312/204, 257,  
227, 107, 111, 140.1, 140.3; 108/50.01,  
50.02; D21/38, 37; 273/138.2

FIG. 1 is a perspective view of a modular support stand component, showing our new design with adjacent structure and gaming machine shown in dashed lines;

### [56] References Cited

#### U.S. PATENT DOCUMENTS

D. 251,395	3/1979	Kula	.....	D21/37
D. 264,288	5/1982	Heather	.....	D6/481
D. 276,630	12/1984	Gimbel	.....	D21/37
D. 342,966	1/1994	Carter	.....	D6/432
D. 354,637	1/1995	Jarrett	.....	D6/432
D. 371,024	6/1996	Lechleiter et al.	.....	D6/470
D. 372,601	8/1996	Roberts et al.	.....	D6/422
1,885,092	10/1932	Fellerman	.....	312/140.1
2,489,493	11/1949	Kuenzie	.....	312/107
3,027,212	3/1962	Pearson	.....	312/140.1
3,301,622	1/1967	Dasovic et al.	.....	312/111 X
3,352,615	11/1967	Sandin	.....	312/11
3,512,857	5/1970	Butera	.....	312/107
3,736,035	5/1973	Brown et al.	.....	312/107
4,345,615	8/1982	Di Cicco et al.	.....	137/343
4,614,342	9/1986	Takashima	.....	463/11

FIG. 2 is a plan view thereof;

FIG. 3 is a front elevation thereof;

FIG. 4 is a left side elevation thereof;

FIG. 5 is a right side elevation thereof;

FIG. 6 is a plan view thereof taken from below;

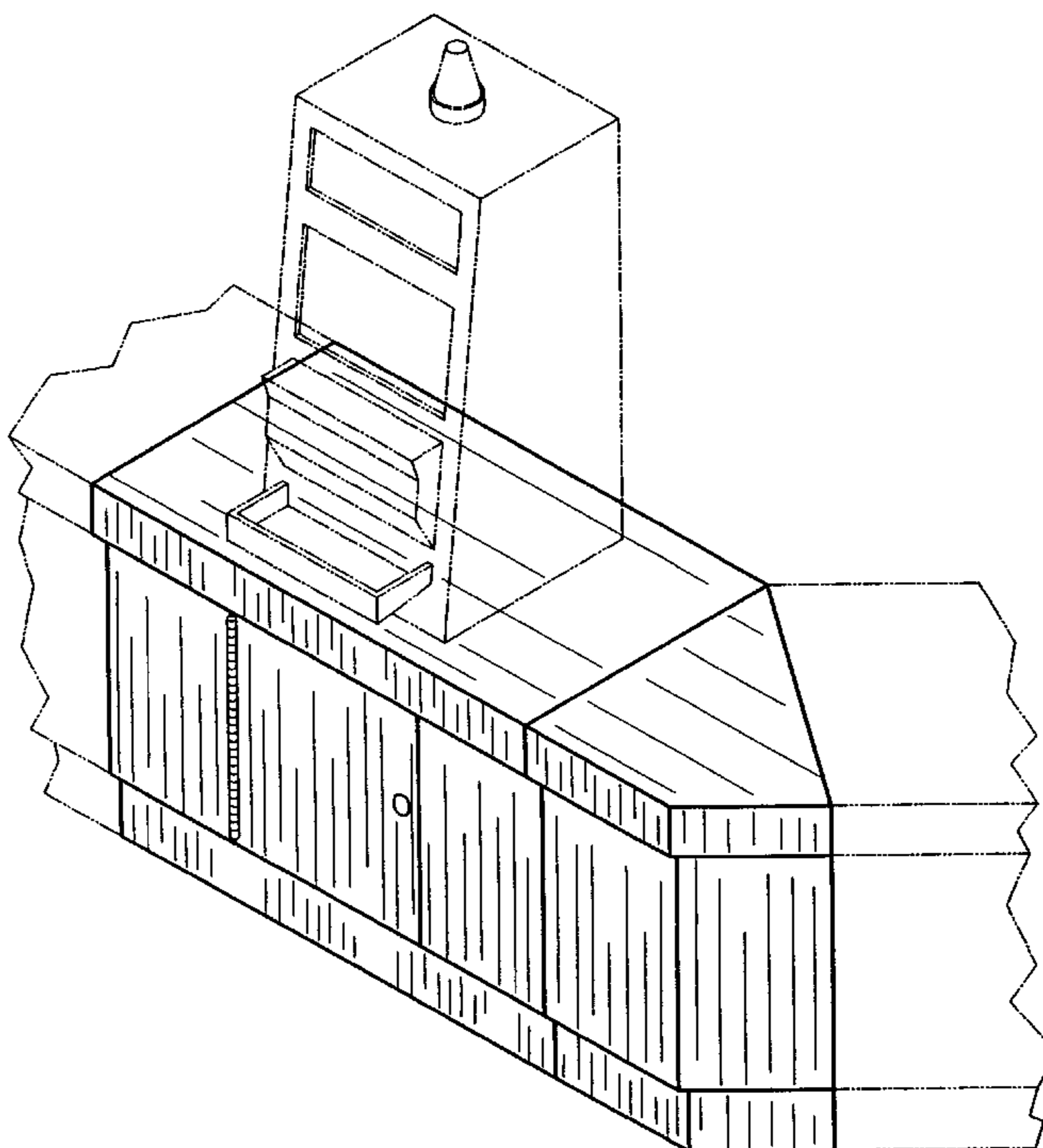
FIG. 7 is a rear elevational view thereof;

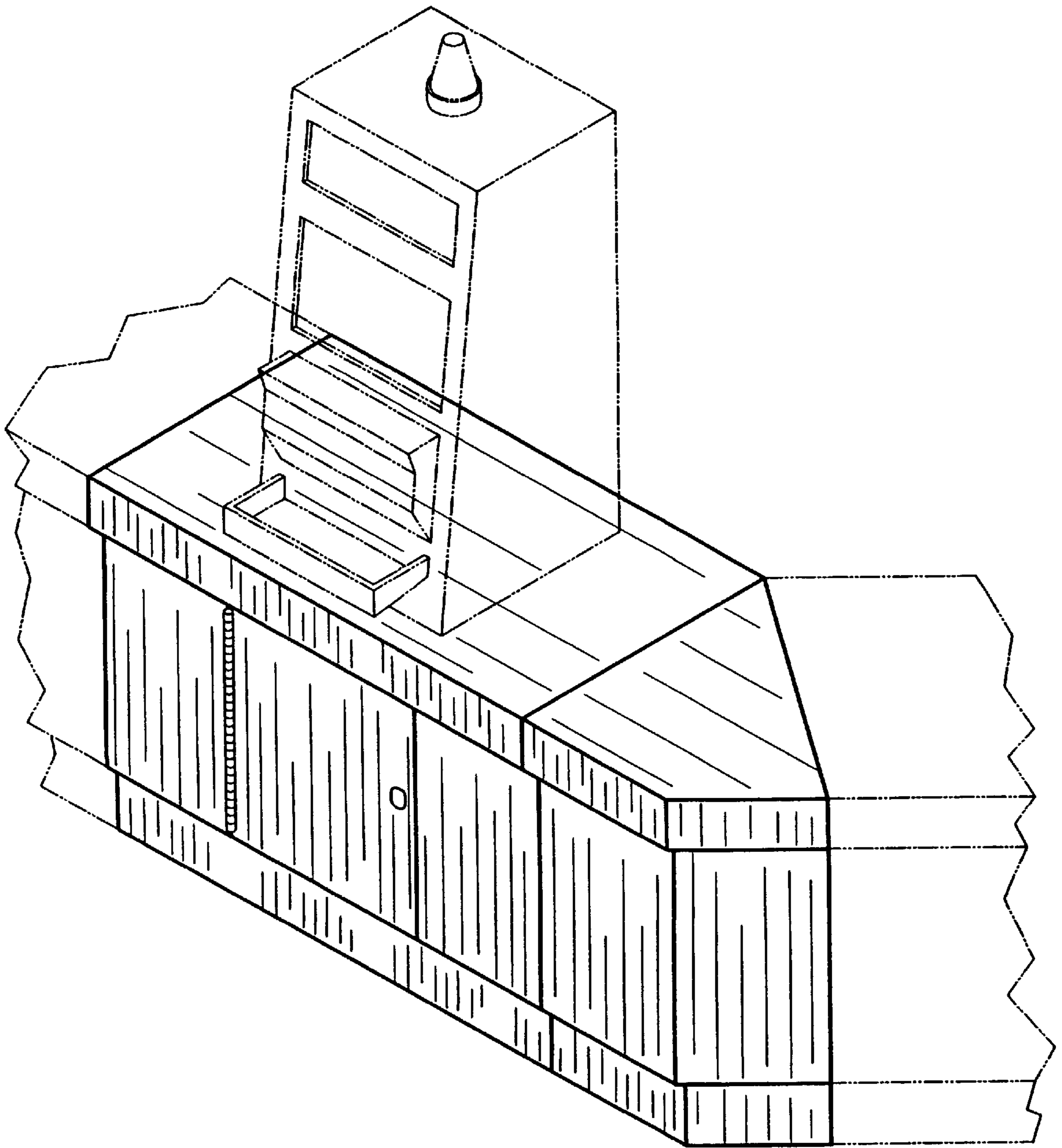
FIG. 8 is a plan view showing the modular support stand component of our invention (in solid lines) forming part of an overall assembly of such components for supporting a number of gaming machines; and,

FIG. 9 is a plan view showing the modular support stand component of our invention (in solid lines) forming part of an alternate form of assembly of modular support stands for supporting gaming machines.

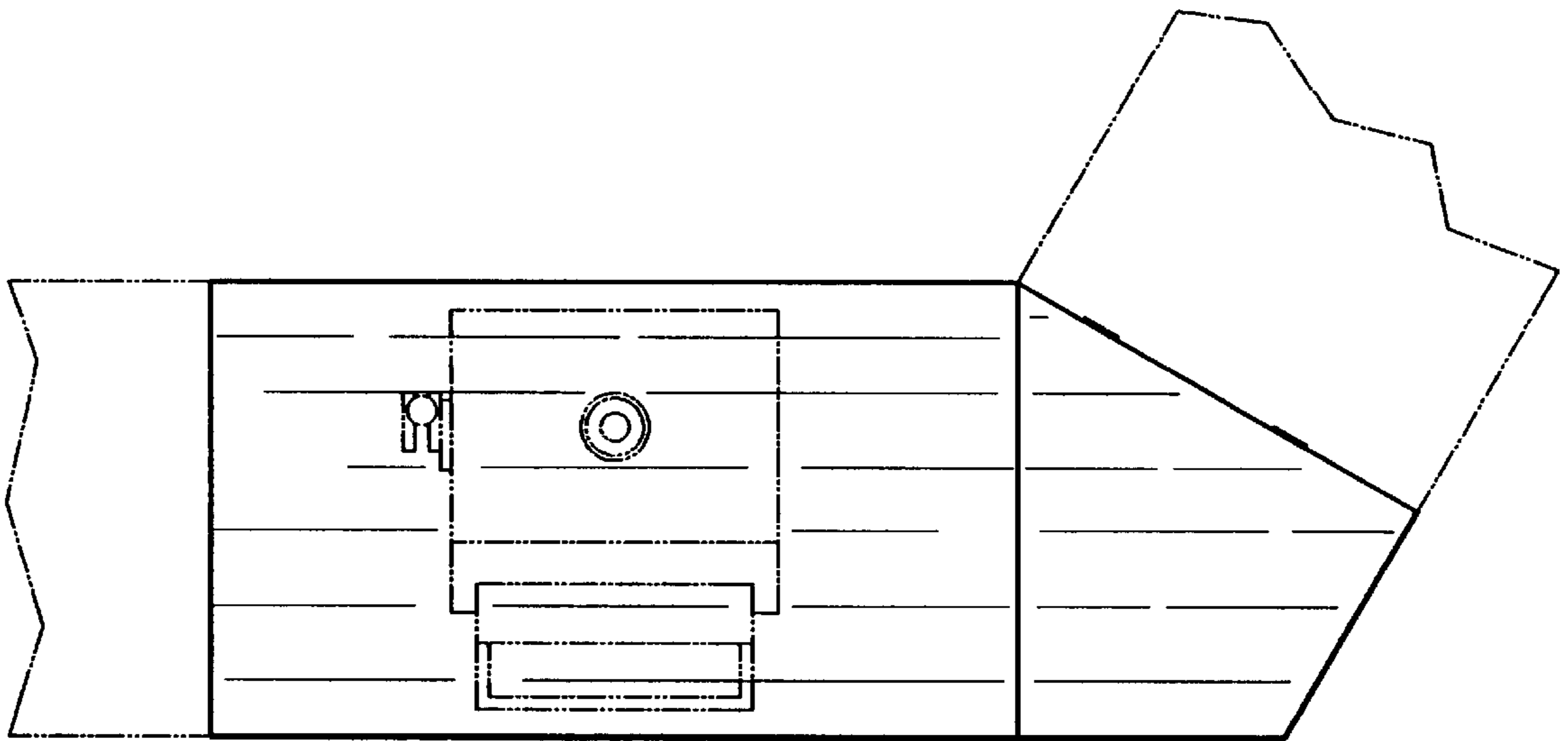
The broken line showings throughout the views of adjacent structure and gaming machines are for illustrative purposes only and form no part of the claimed design.

**1 Claim, 6 Drawing Sheets**

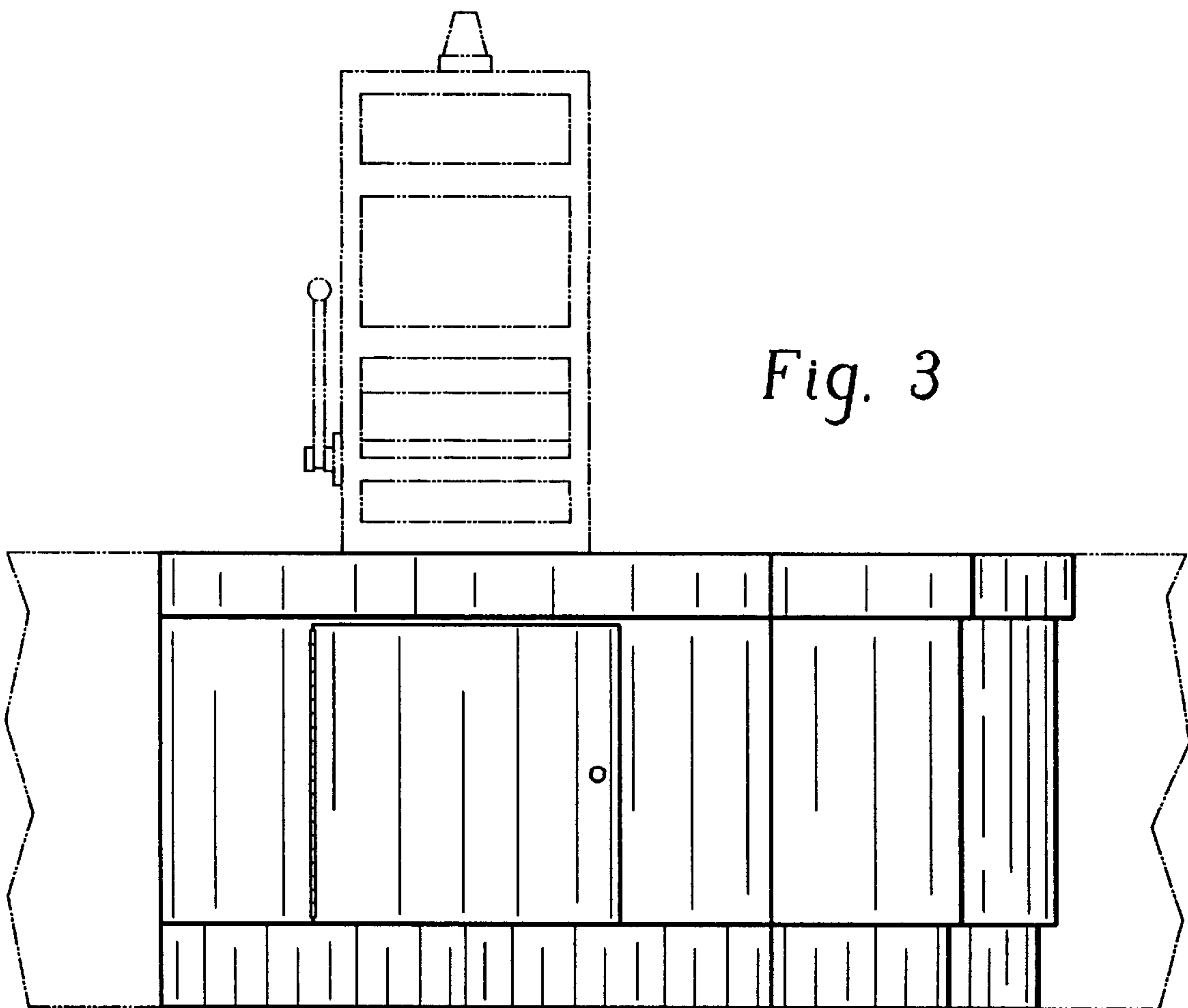




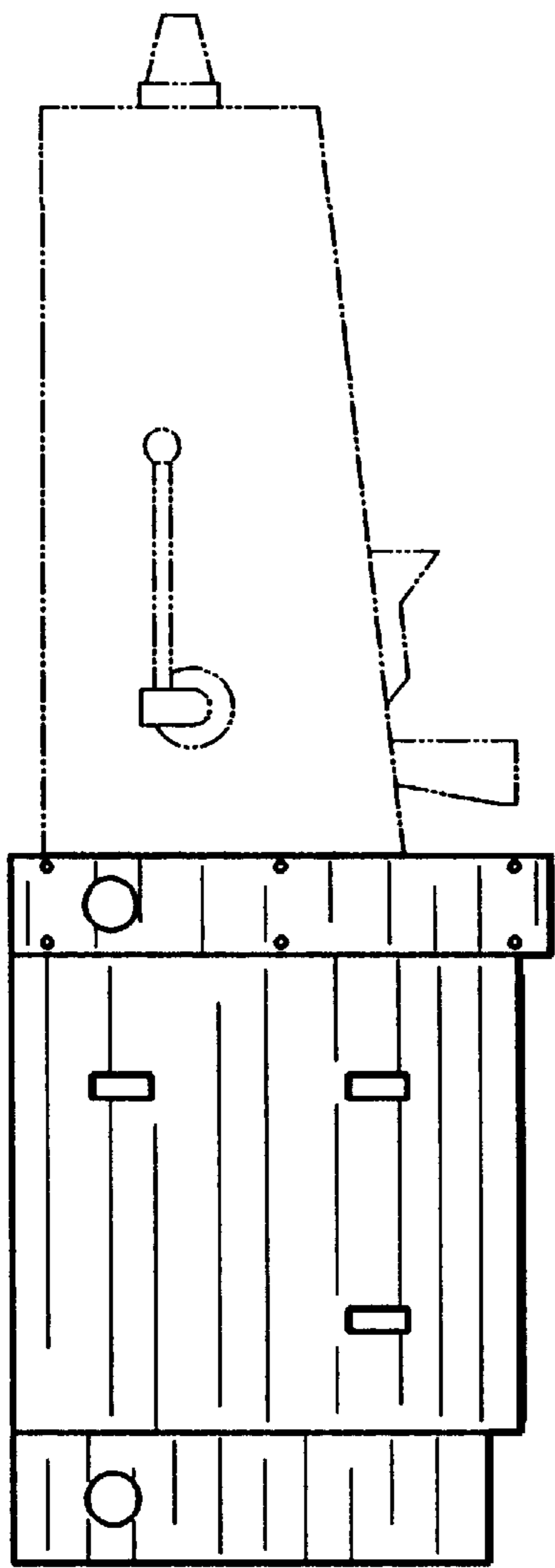
*Fig. 1*



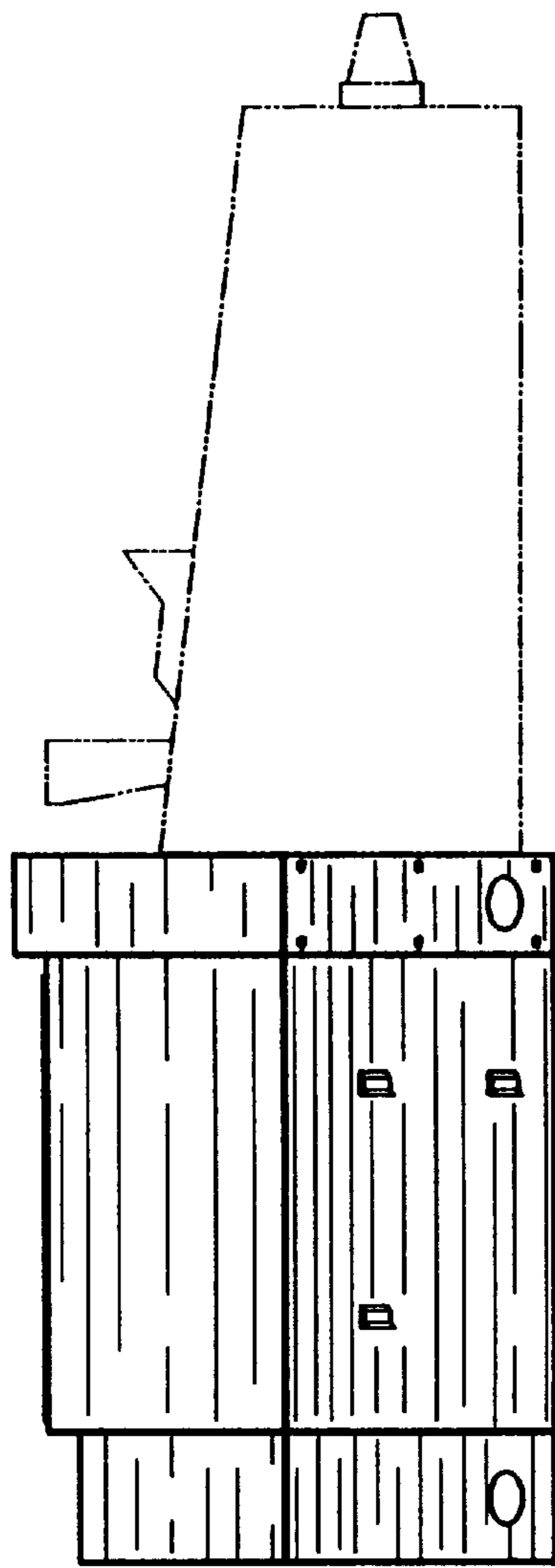
*Fig. 2*



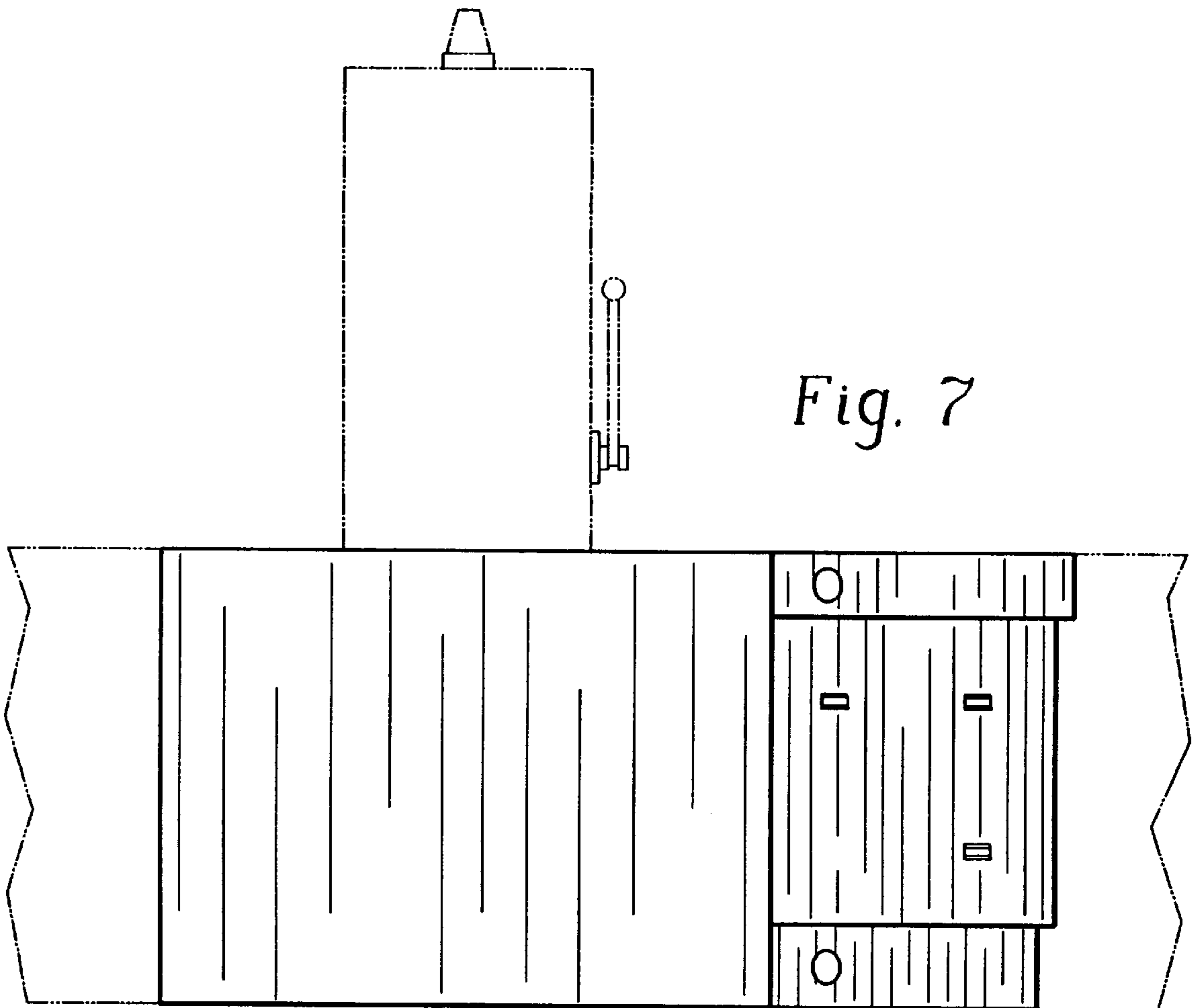
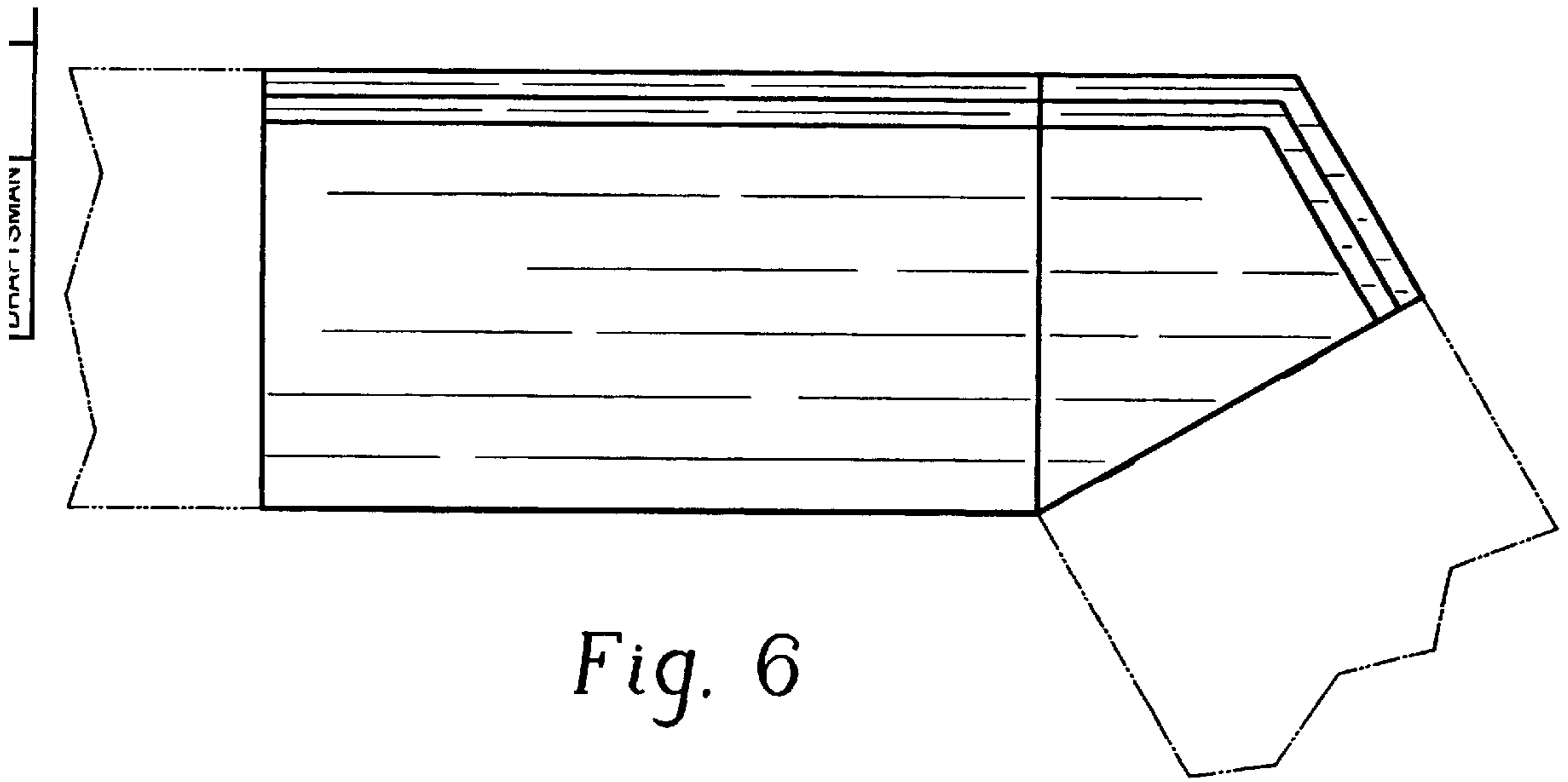
*Fig. 3*



*Fig. 4*



*Fig. 5*



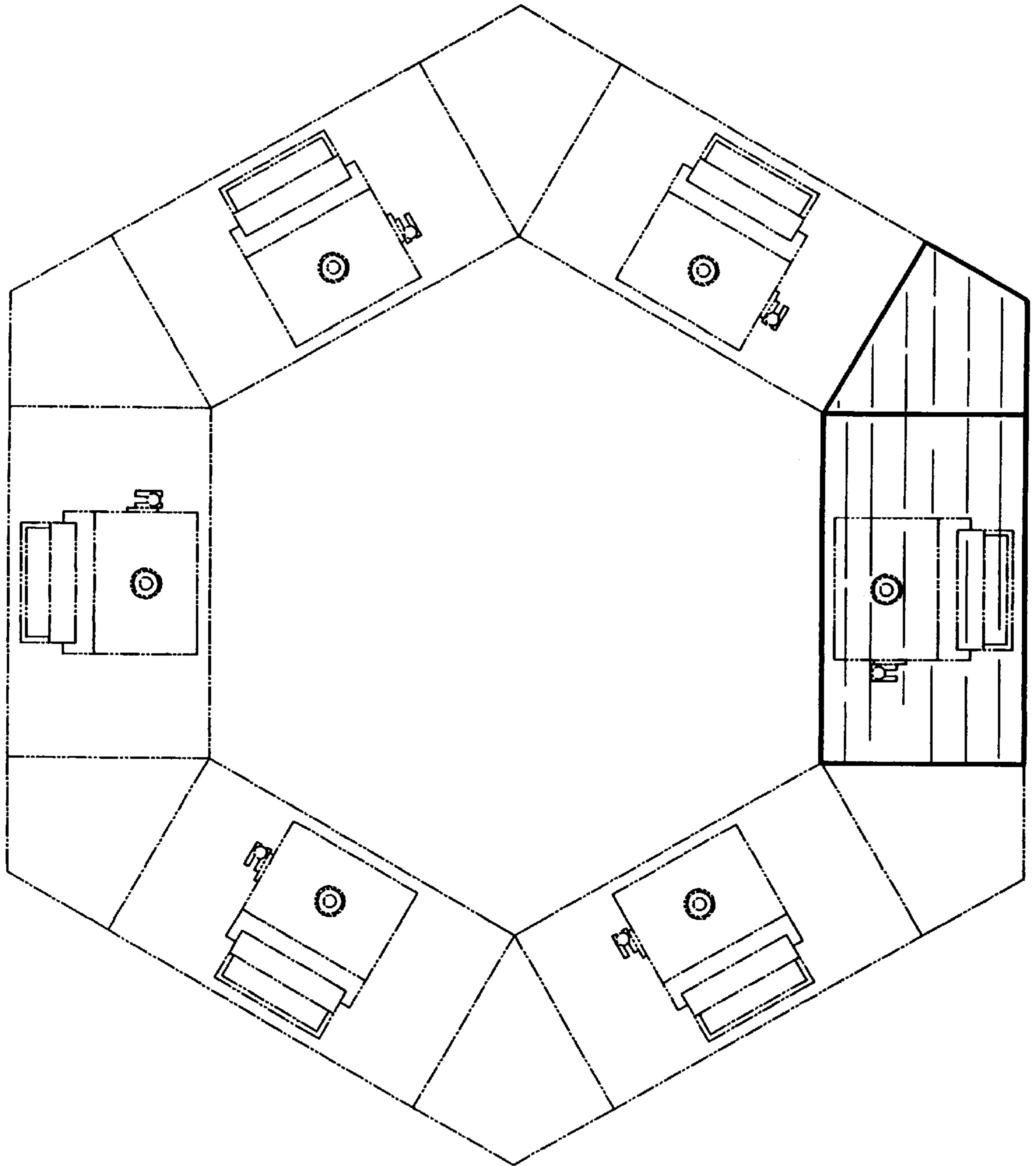


Fig. 8

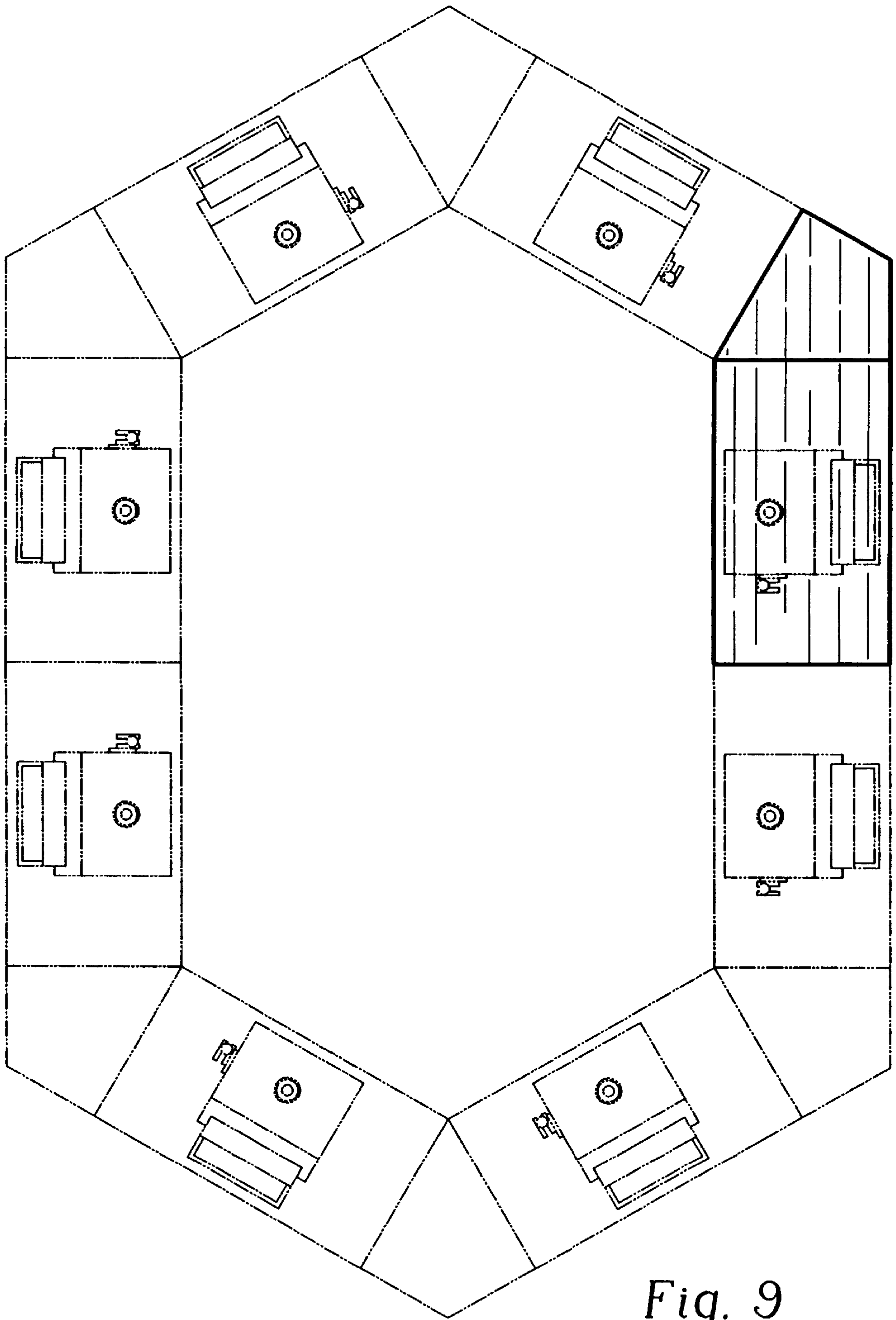


Fig. 9