



US00D399669S

United States Patent [19]

[11] **Patent Number: Des. 399,669**

Tabbia

[45] **Date of Patent: **Oct. 20, 1998**

[54] **CHILD BED**

*Primary Examiner—Janice E. Seeger
Attorney, Agent, or Firm—William J. Daniel*

[76] Inventor: **Lawrence E. Tabbia**, 102 E. Pleasant Grove Rd., Jackson, N.J. 08527

[57] **CLAIM**

[**] Term: **14 Years**

The ornamental design for a child bed, as shown and described.

[21] Appl. No.: **77,808**

DESCRIPTION

[22] Filed: **Oct. 14, 1997**

FIG. 1 is a side perspective view of one embodiment of a child bed according to the present invention; FIG. 2 is one end view of the embodiment of FIG. 1, the opposite end being the mirror image thereof; FIG. 3 is a right side view of the child bed of FIG. 1, with the right side rail thereof in its normal vertically upward position from which position it can be lowered in guides associated therewith and seen in the FIG., the left side being a mirror image thereof except that the left side rail is fixed in upward position and has no associated guides; FIG. 4 is a top plan view of the embodiment of FIG. 1; and, FIG. 5 is a bottom plan view of the embodiment of FIG. 1. A mattress in FIG. 3 and castors in all FIGS. are indicated in phantom lines for illustration purposes and do not form part of the design.

[51] **LOC (6) Cl. 06-01**

[52] **U.S. Cl. D6/390**

[58] **Field of Search** D6/382-384, 390-395, D6/505-508; 5/53.1, 93.1, 98.1, 99.1, 279.1, 280, 907

[56] **References Cited**

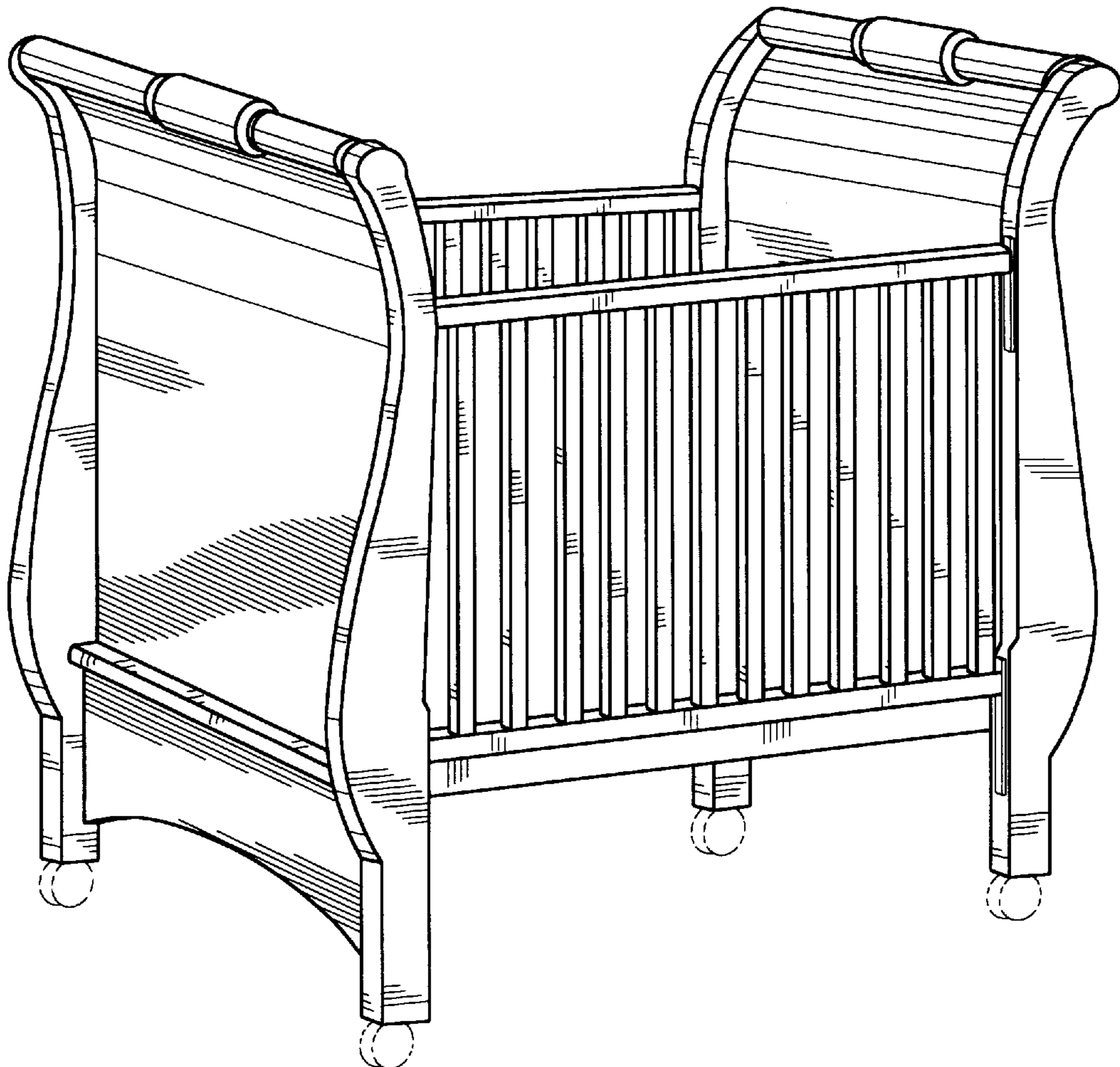
U.S. PATENT DOCUMENTS

D. 366,778 2/1996 Pollard D6/390

OTHER PUBLICATIONS

Simmons Little Folks, Feb. 1995, Camden crib at bottom.
Simmons Little Folks, Feb. 1995, Hartwick crib at bottom.
Directions by Woodward and Lothrop, Spring 1994, p. 13 bed.

1 Claim, 3 Drawing Sheets



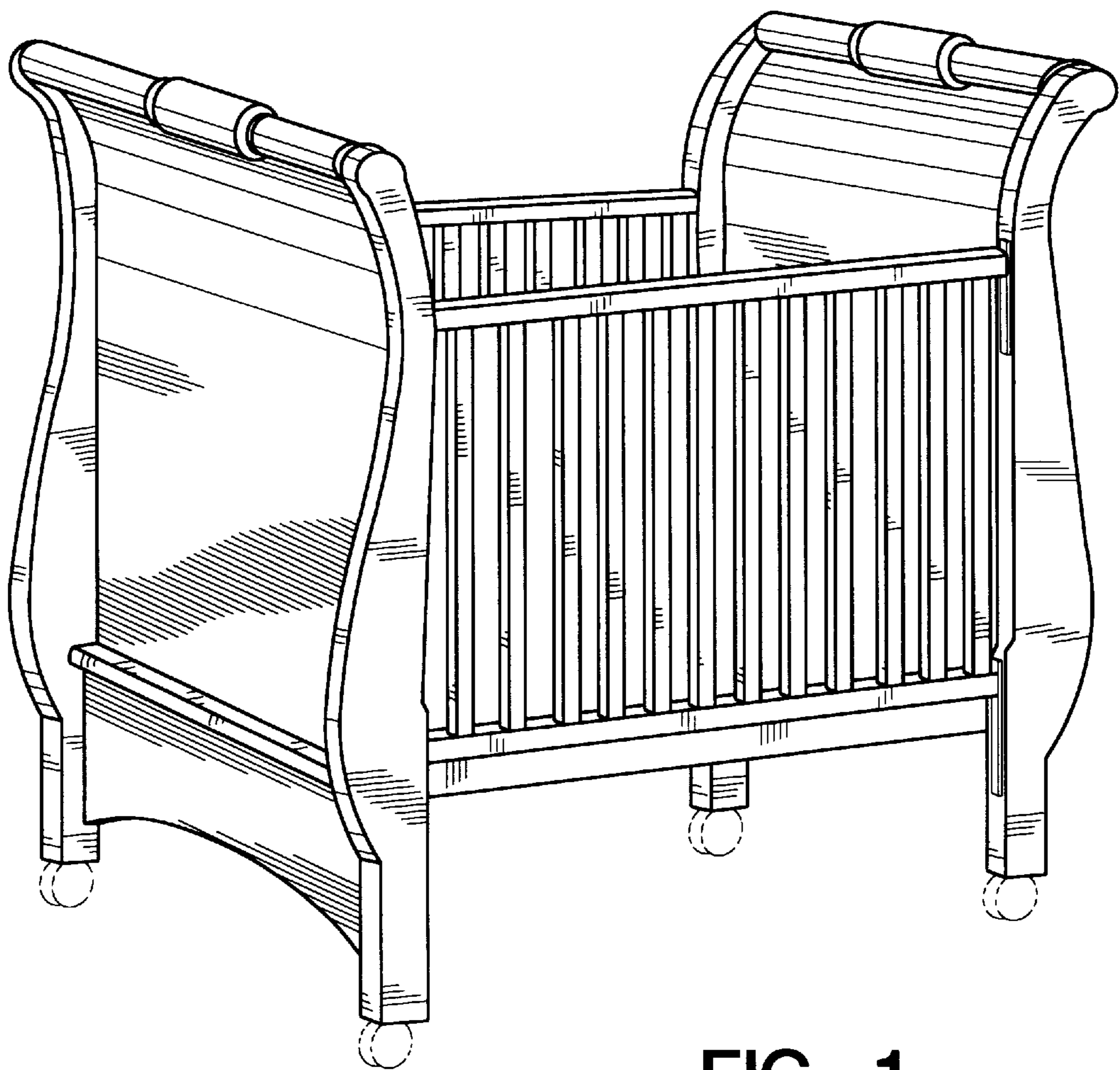


FIG. 1

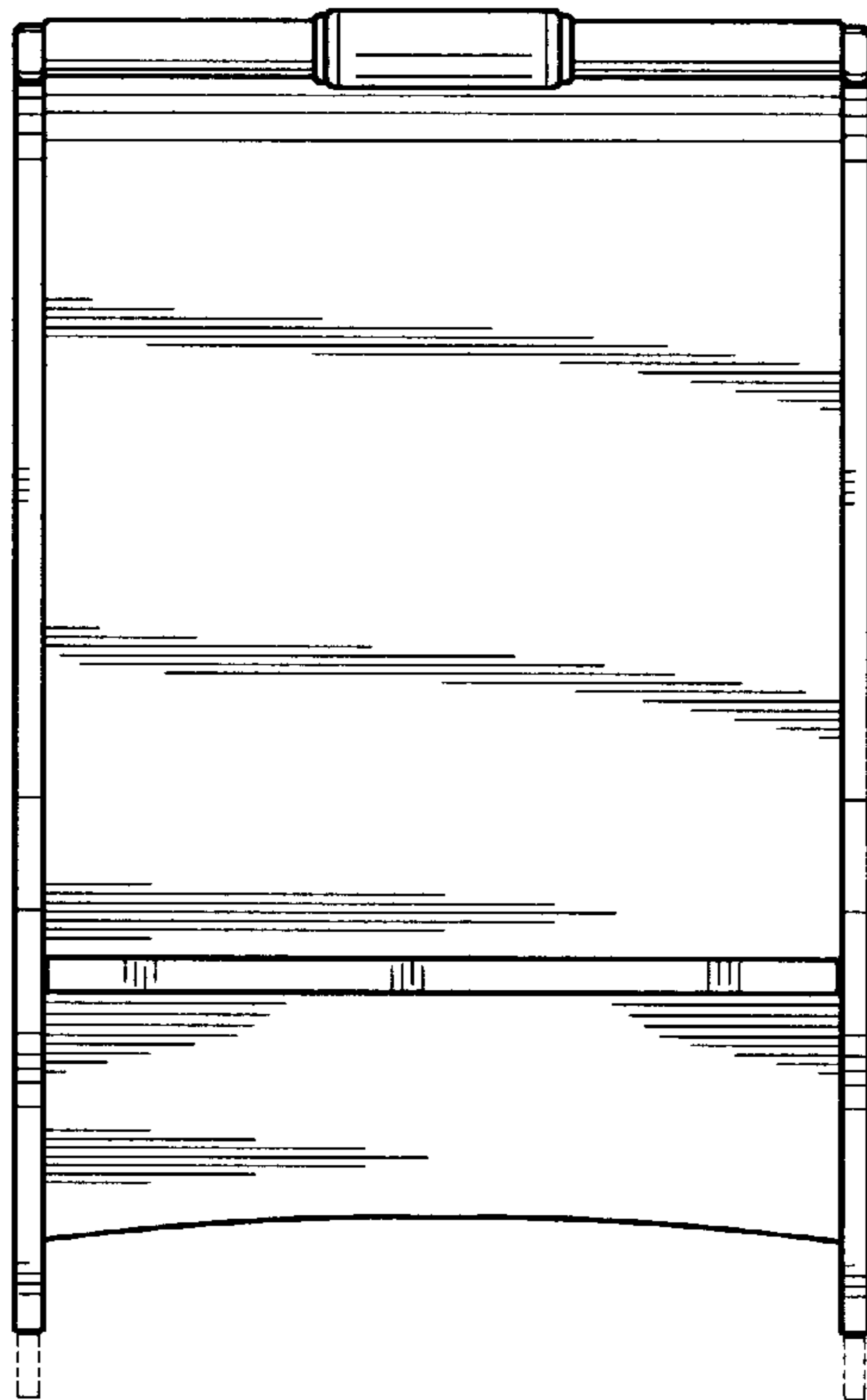


FIG. 2

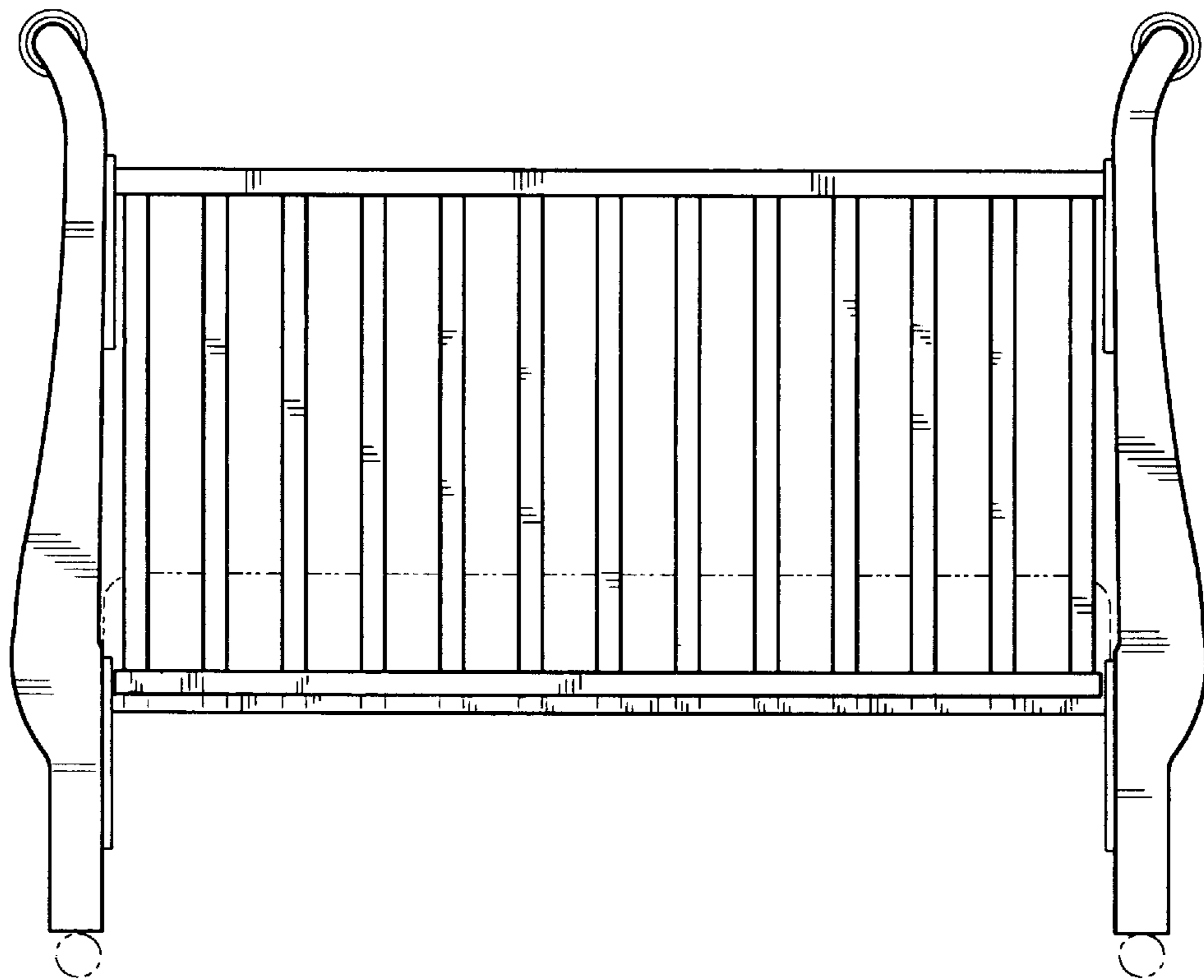


FIG. 3

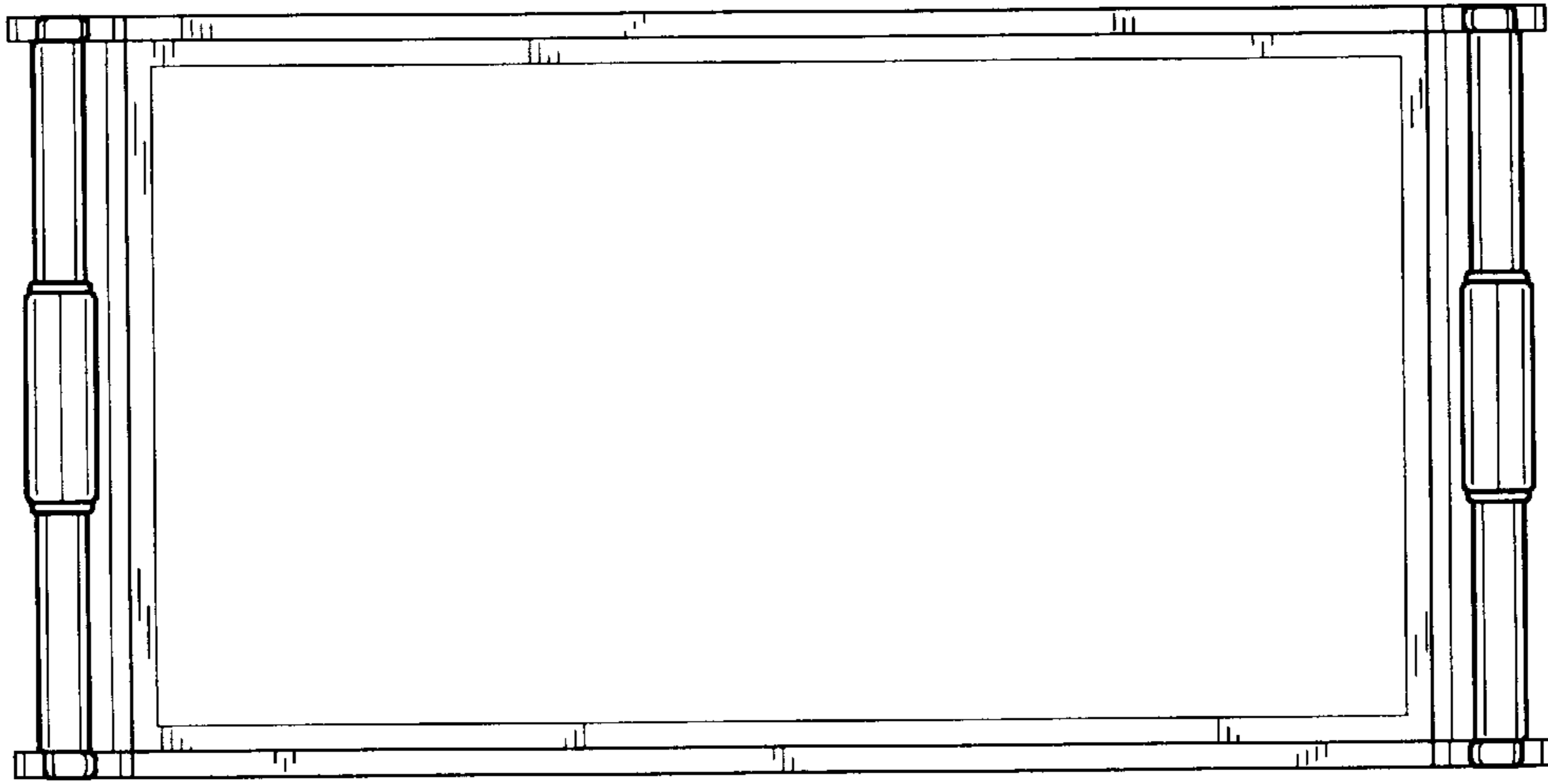


FIG. 4

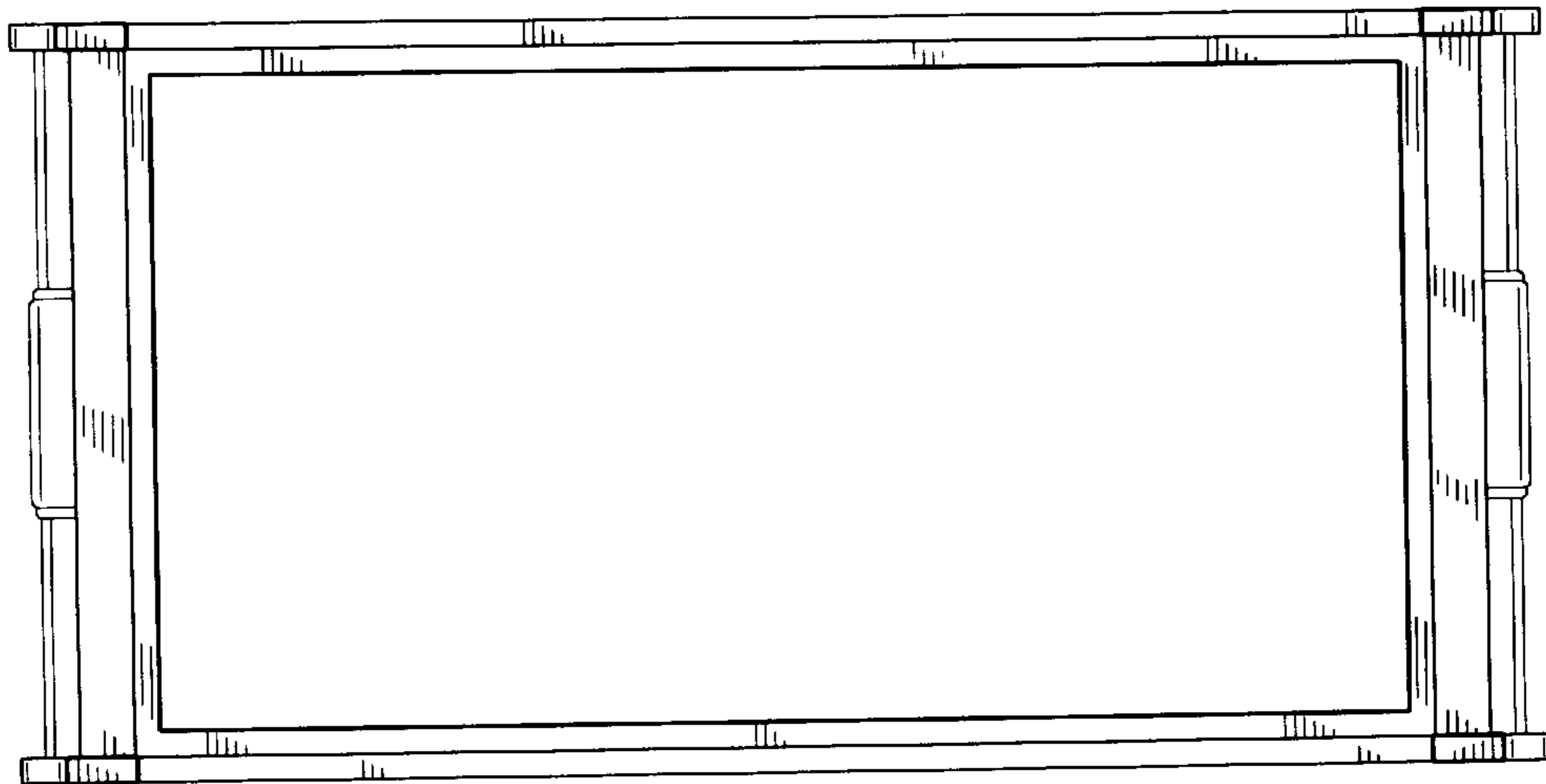


FIG. 5