



US00D399661S

# United States Patent [19] Smith

[11] Patent Number: **Des. 399,661**

[45] Date of Patent: **\*\*Oct. 20, 1998**

[54] **FIBREBOARD CHAIR WITH ARMS**

[75] Inventor: **E. Dallas Smith**, Indianapolis, Ind.

[73] Assignee: **DBX Engineering Corporation**, Green Castle, Ind.

[\*] Notice: The term of this patent shall not extend beyond the expiration date of Pat. No. D. 392,470.

[\*\*] Term: **14 Years**

[21] Appl. No.: **72,409**

[22] Filed: **Jun. 16, 1997**

### Related U.S. Application Data

[63] Continuation-in-part of Ser. No. 66,329, Feb. 11, 1997, Pat. No. Des. 392,470.

[51] **LOC (6) Cl.** ..... **06-01**

[52] **U.S. Cl.** ..... **D6/334**

[58] **Field of Search** ..... D6/334, 335, 336, D6/364, 368, 371, 373, 374, 375, 500, 501, 502; 297/411.27, 440.1, 440.12

### [56] References Cited

#### U.S. PATENT DOCUMENTS

D. 223,756	6/1972	Steinhart	.....	D6/334
D. 231,880	6/1974	Weinstock	.....	D6/364
D. 234,988	4/1975	Lopez-Benitez	.....	D6/334
D. 243,896	4/1977	Zapf	.....	D6/334
D. 252,490	7/1979	Petersilie	.....	D6/334
D. 263,770	4/1982	Melchior	.....	D6/334
D. 342,837	1/1994	Forcolini	.....	D6/334

D. 378,028	2/1997	Schefcik	.....	D6/334
2,707,514	5/1955	Smith	.....	297/411.27
2,806,514	9/1957	Smith	.....	297/440.12
2,955,647	10/1960	Smith	.....	297/440.12
3,438,676	4/1969	Brosk	.....	D6/334 X

### OTHER PUBLICATIONS

Design 1979/80 Buyer's Guide, p. 6, chair at far right mid-page, Jun. 1979.

*Primary Examiner*—Gary D. Watson  
*Attorney, Agent, or Firm*—Woodard, Emhardt, Naughton, Moriarty & McNett

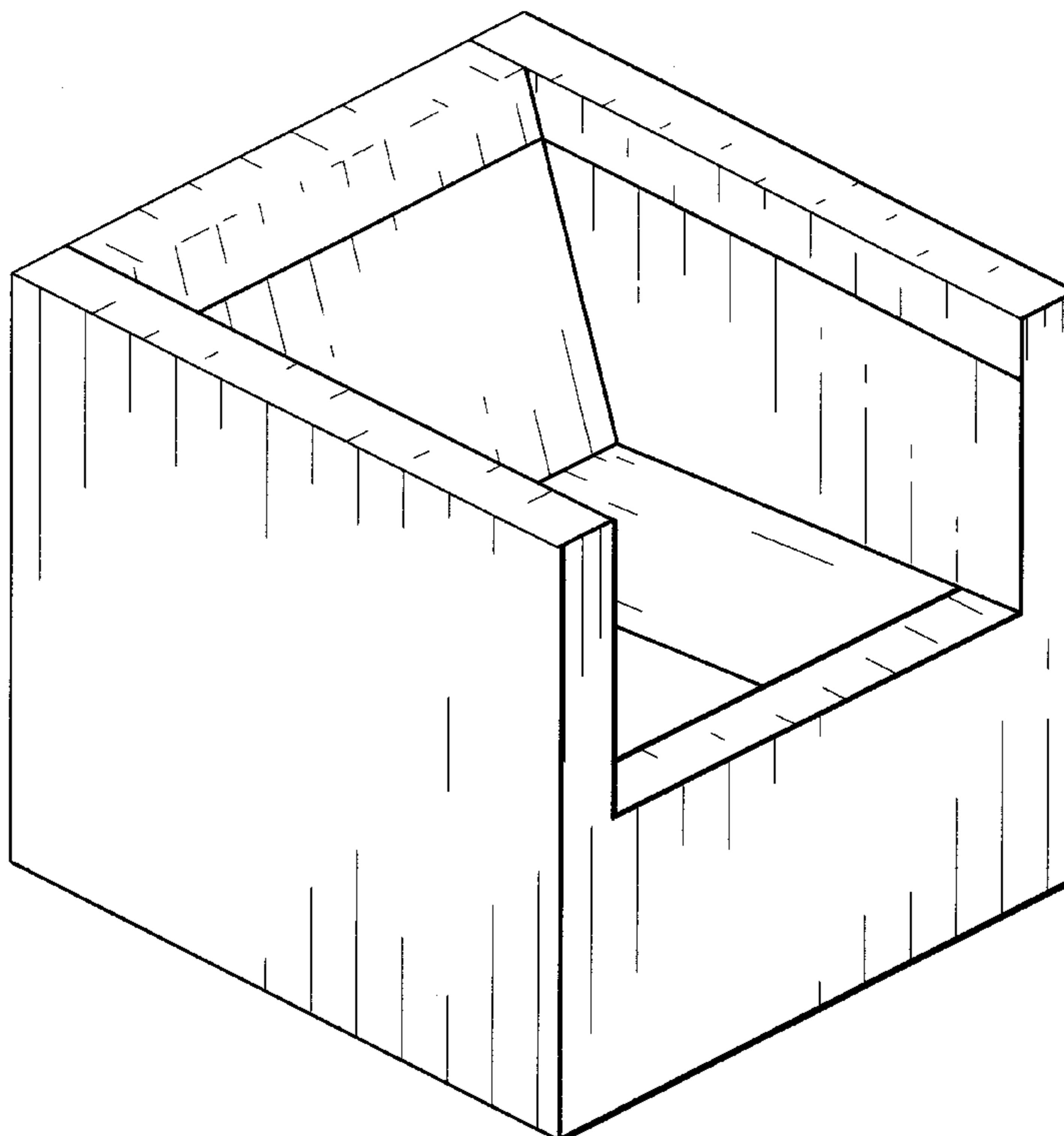
### [57] CLAIM

The ornamental design for a fibreboard chair with arms, as shown and described.

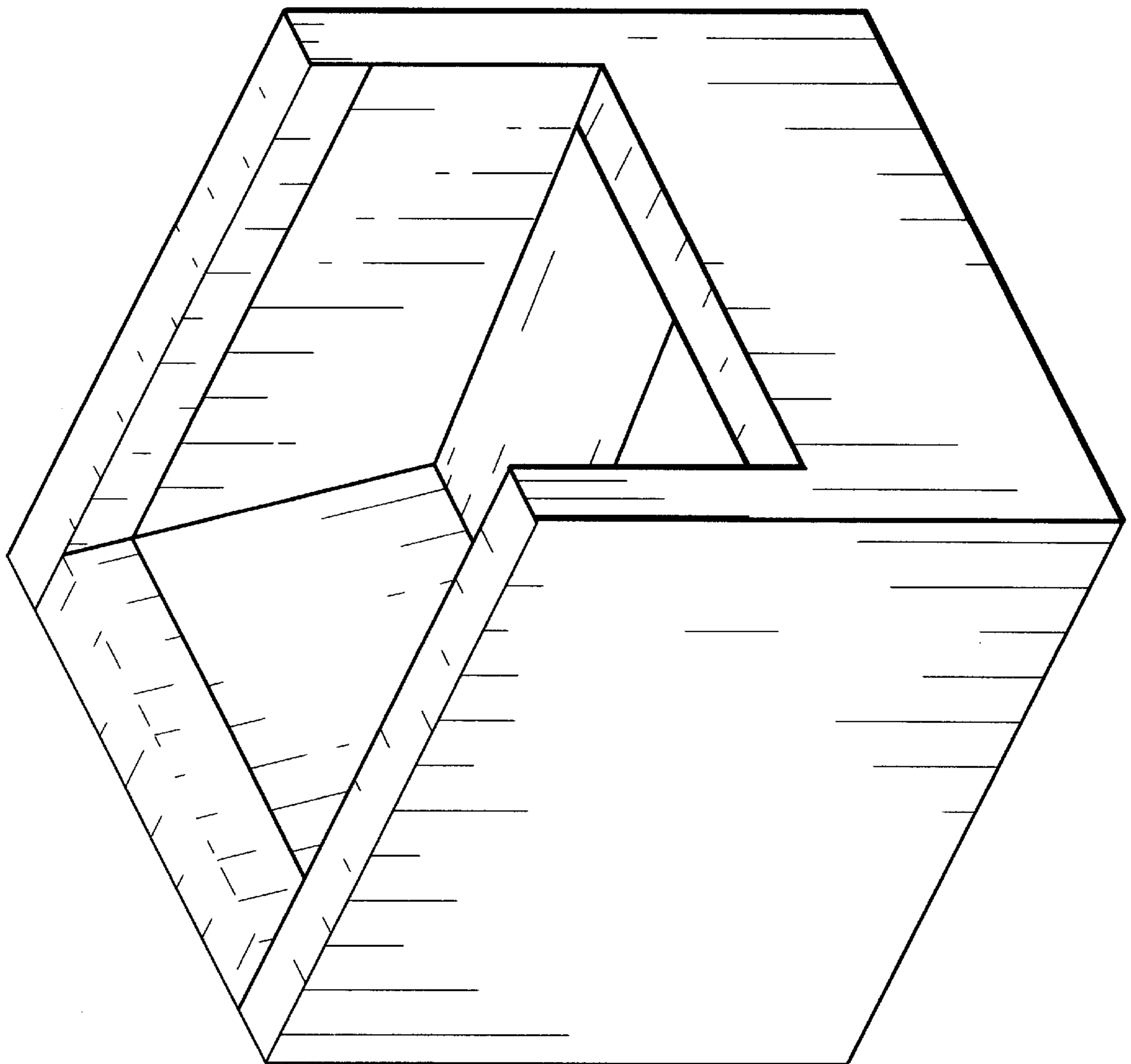
### DESCRIPTION

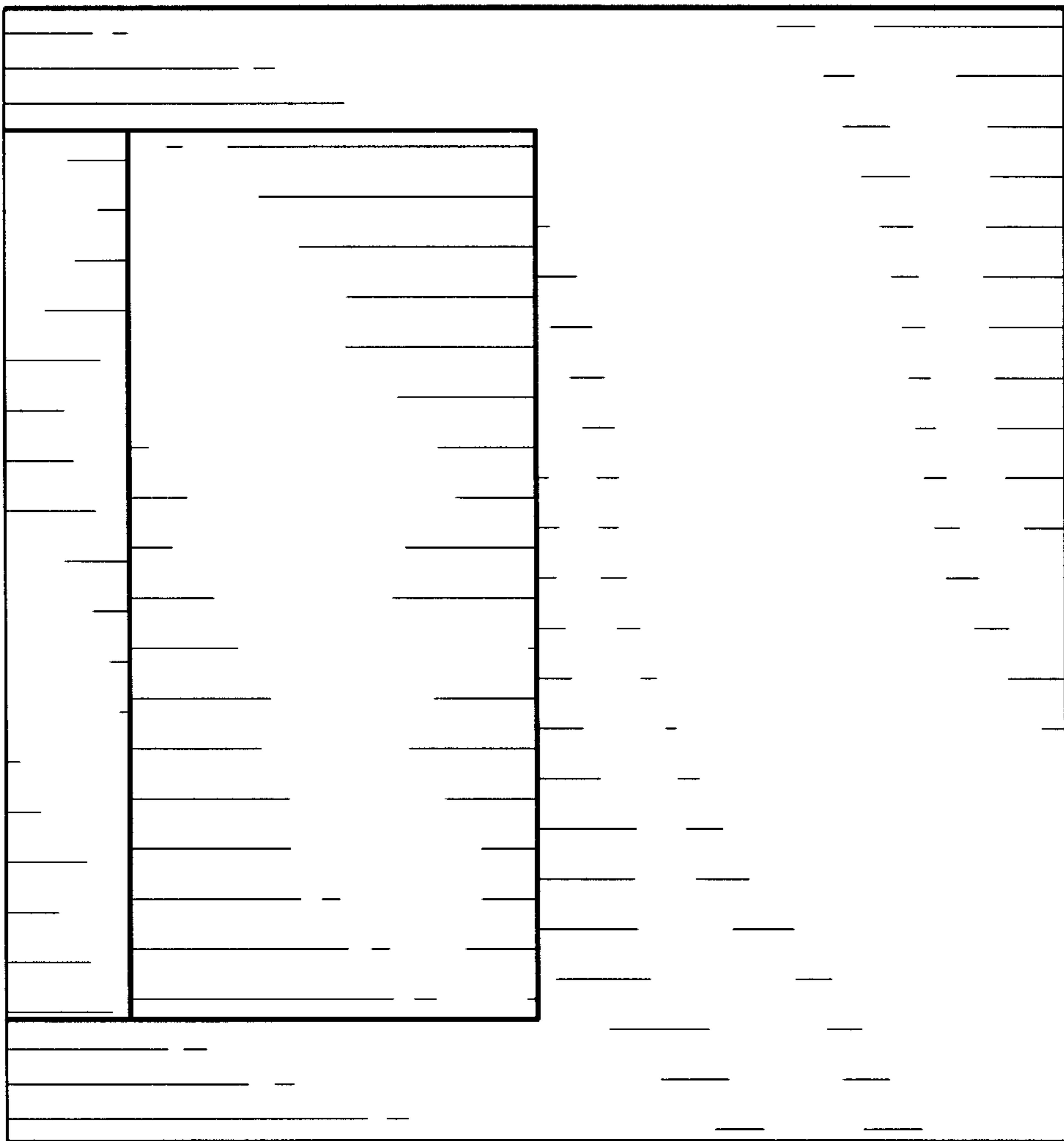
FIG. 1 is a perspective view of a fibreboard chair with arms showing a typical embodiment of the new design;  
 FIG. 2 is a front, elevational view of the fibreboard chair with arms;  
 FIG. 3 is a left side, elevational view of the fibreboard chair with arms. The right side, elevational view is a mirror image of the left side, elevational view and therefore is not separately shown;  
 FIG. 4 is a back side, elevational view of the fibreboard chair with arms;  
 FIG. 5 is a top, plan view of the fibreboard chair with arms; and,  
 FIG. 6 is a bottom, plan view of the fibreboard chair with arms.

**1 Claim, 6 Drawing Sheets**

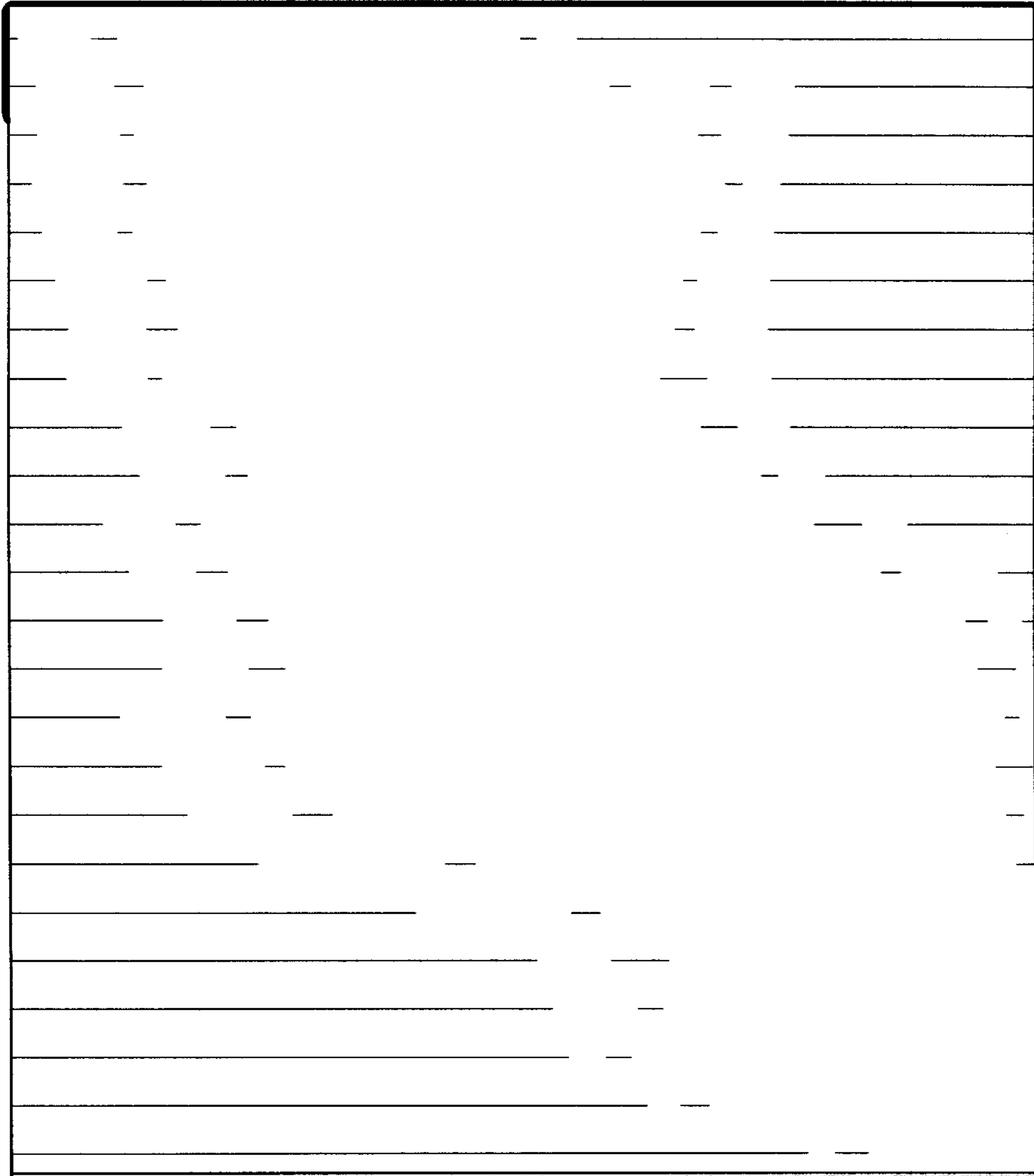


**Fig. 1**

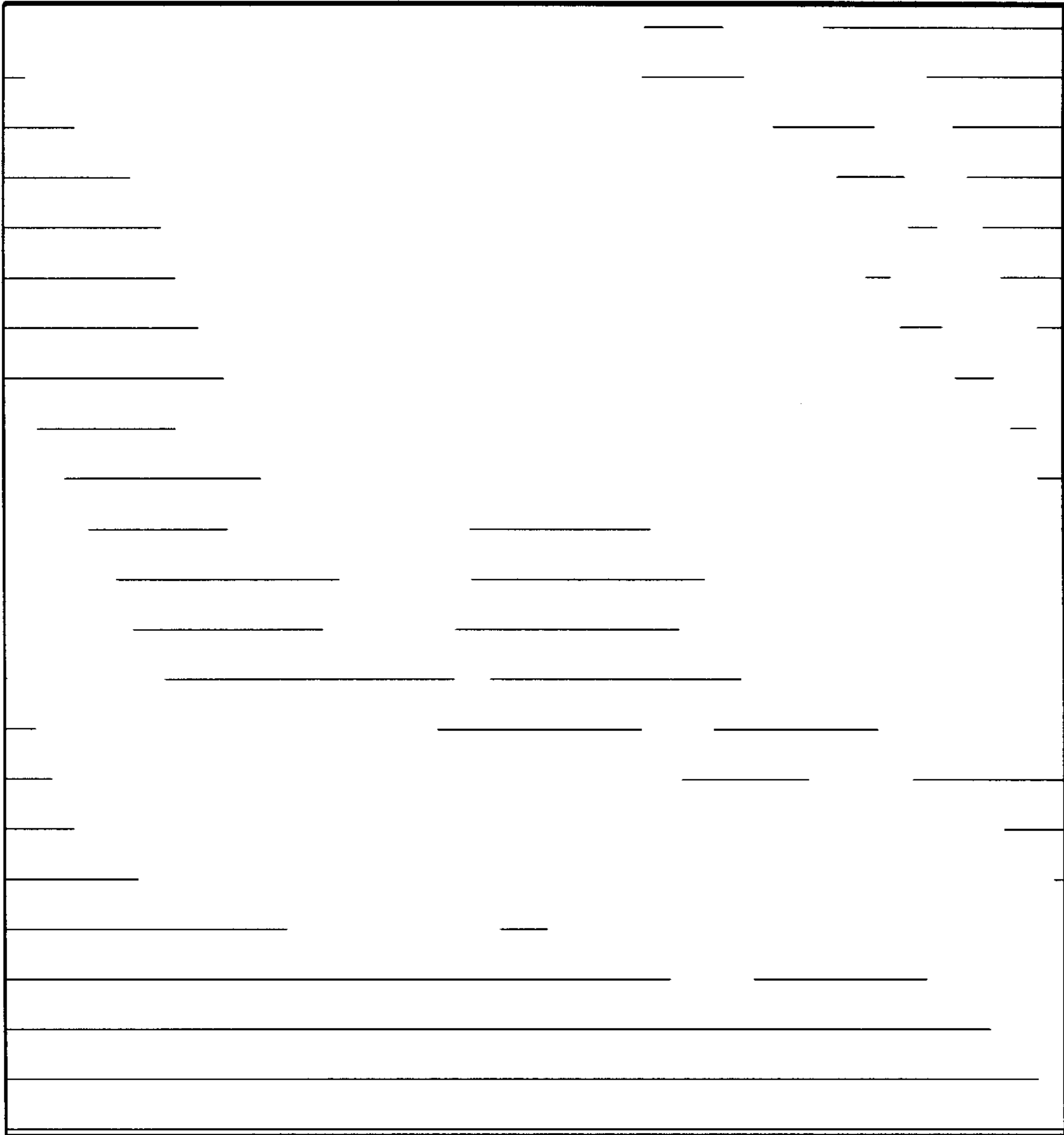




**Fig. 2**

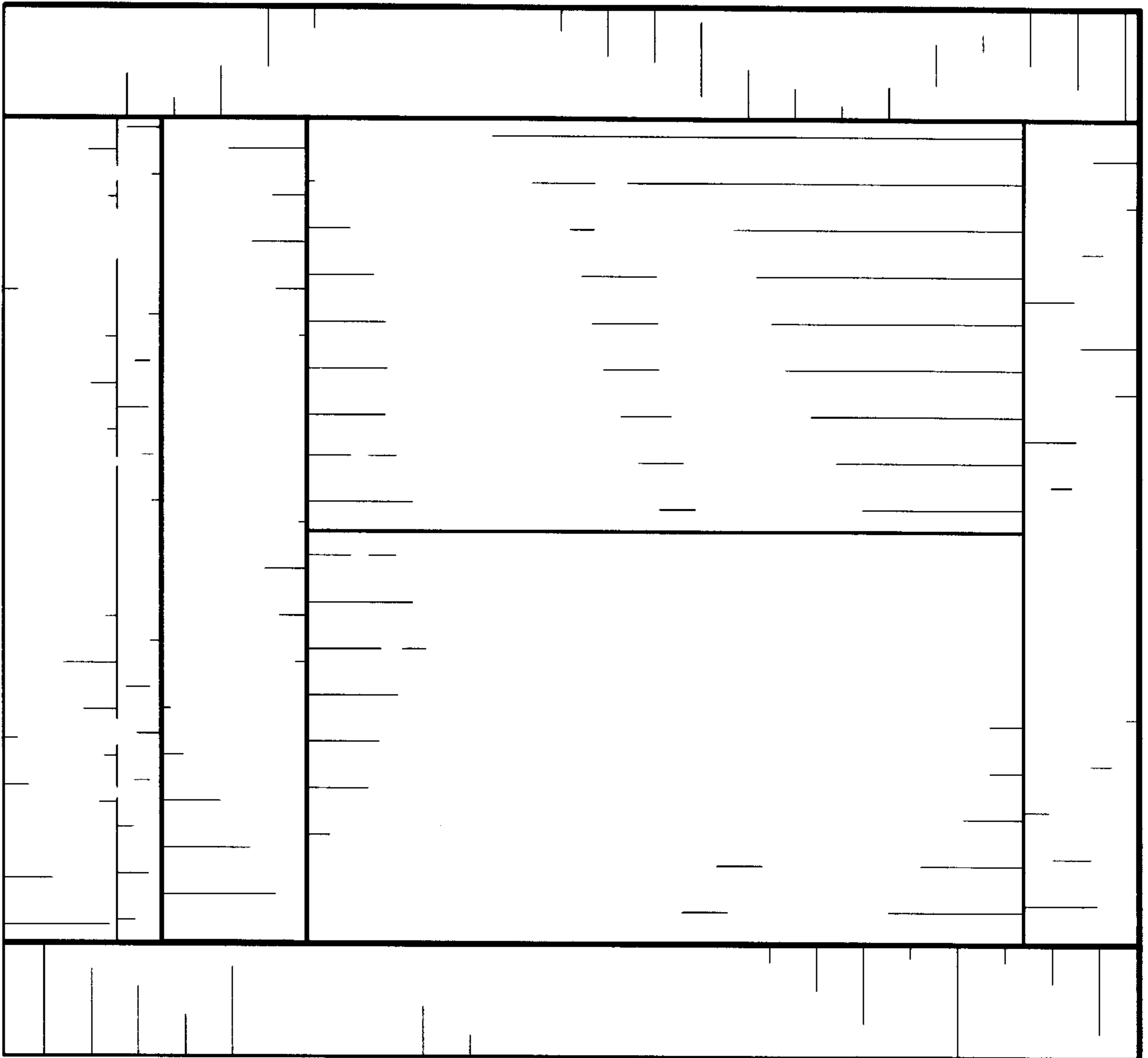


**Fig. 3**



**Fig. 4**

**Fig. 5**



**Fig. 6**

