



US00D399656S

**United States Patent** [19]  
**Mulvihill**

[11] **Patent Number: Des. 399,656**  
[45] **Date of Patent: \*\*Oct. 20, 1998**

[54] **CANDY DISPENSER BIN WITH REFLECTIVE BACK SURFACE**

1,559,624 11/1925 Kopp ..... 220/DIG. 13 X  
4,572,374 2/1986 Sirotkin ..... 206/518

[76] Inventor: **Thomas C. Mulvihill**, 59 River Ave.,  
Monmouth County, N.J. 07750

*Primary Examiner*—Sandra L. Morris  
*Assistant Examiner*—Richelle Shelton  
*Attorney, Agent, or Firm*—Charles I. Brodsky

[\*\*] Term: **14 Years**

[57] **CLAIM**

[21] Appl. No.: **68,067**

The ornamental design for a candy dispenser bin with reflective back surface, as shown and described.

[22] Filed: **Mar. 21, 1997**

**DESCRIPTION**

[51] **LOC (6) Cl.** ..... **03-01**

[52] **U.S. Cl.** ..... **D3/307; D6/510**

[58] **Field of Search** ..... D3/304, 307-314;  
220/752, 770, 771, DIG. 13, 671; 206/518,  
505, 519; D6/510; D20/8

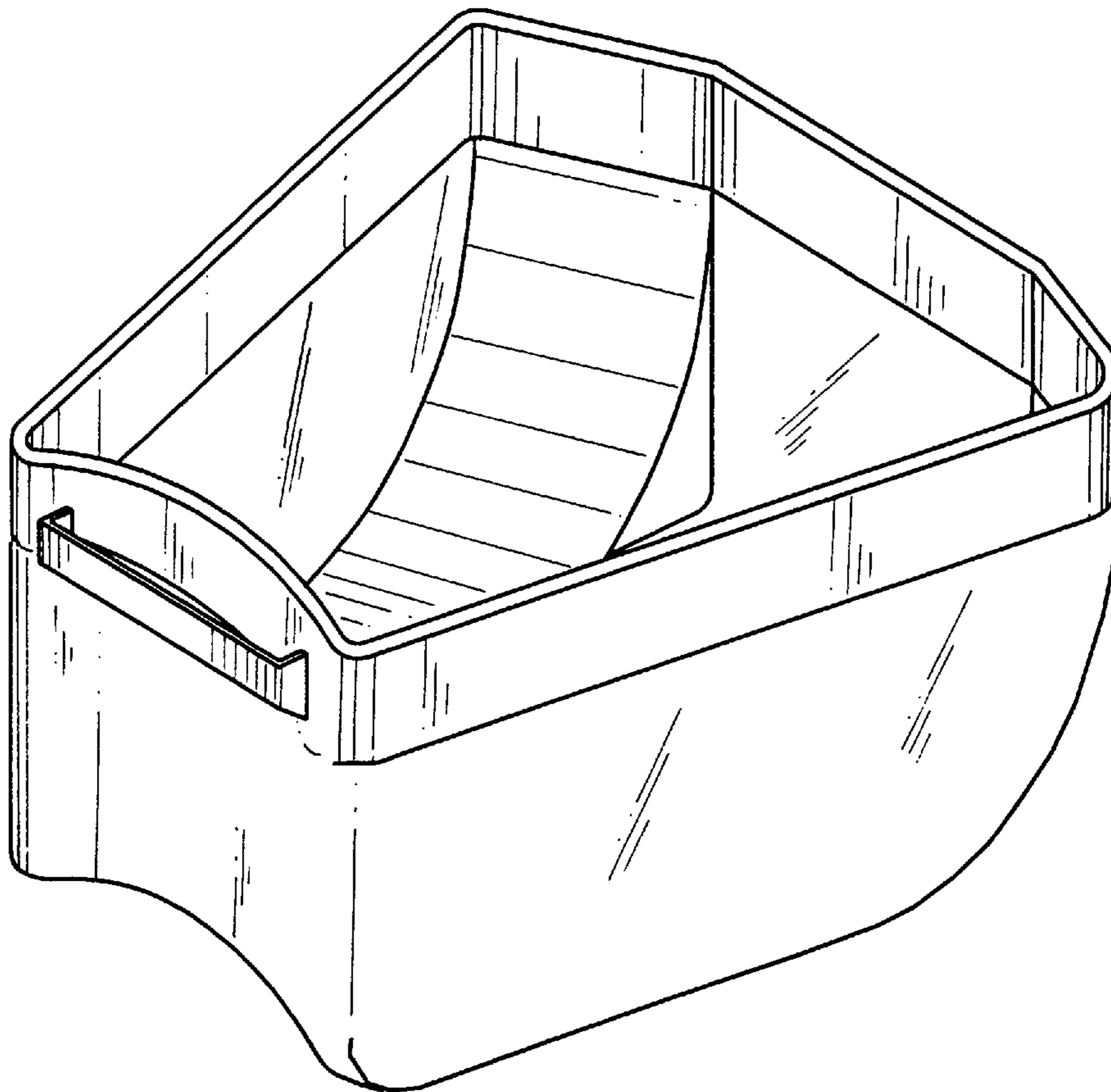
FIG. 1 is a perspective view of a candy display bin with reflective back surface showing my new design;  
FIG. 2 is a front elevation view thereof;  
FIG. 3 is a rear elevation view;  
FIG. 4 is a left side elevation view, a right side elevational view being a mirror image;  
FIG. 5 is a top plan view showing my new design; and,  
FIG. 6 is a bottom plan view.

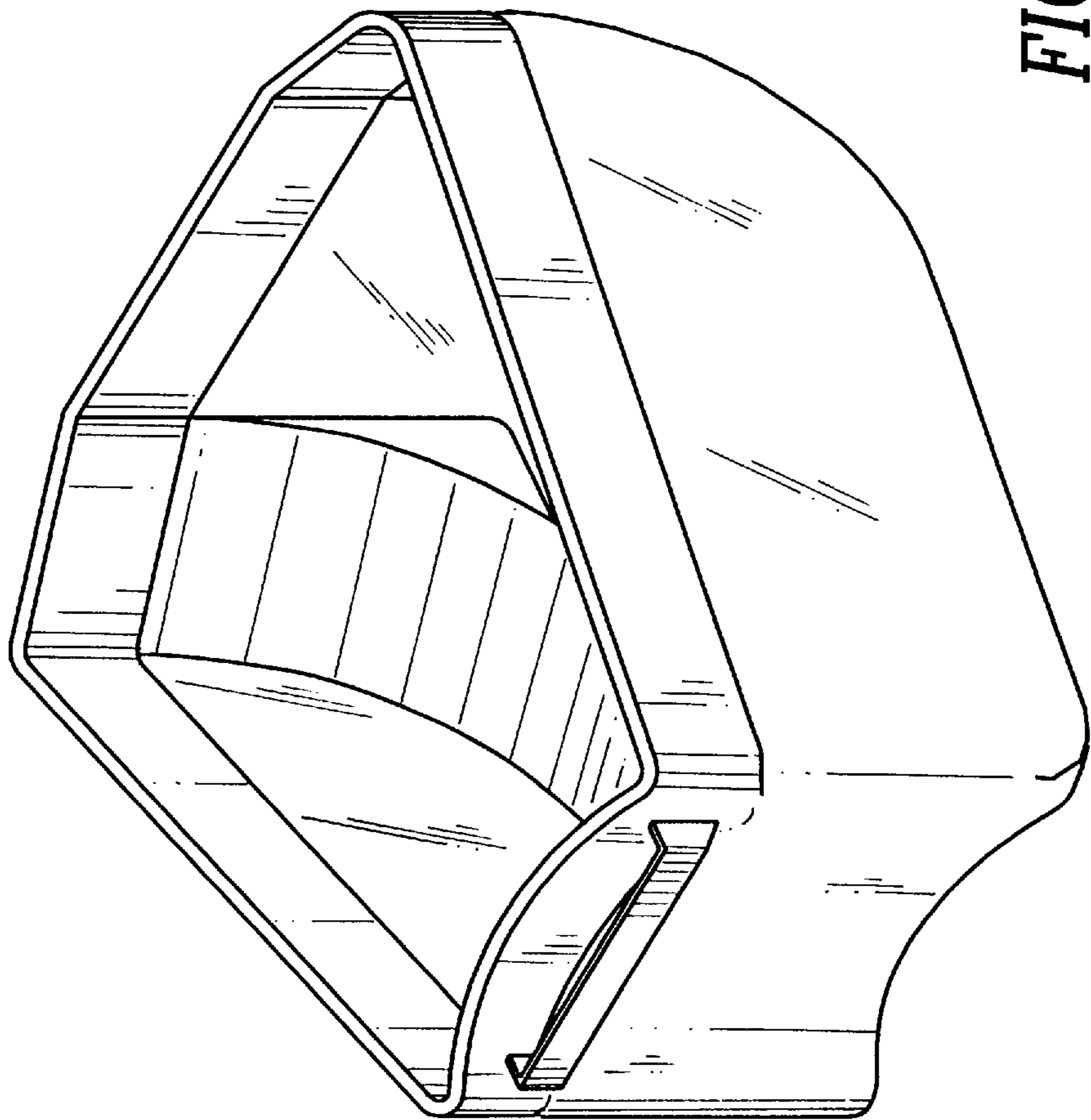
[56] **References Cited**

**U.S. PATENT DOCUMENTS**

38,902 6/1863 Lawson ..... 220/770 X  
D. 279,278 6/1985 Pink ..... D3/304 X

**1 Claim, 6 Drawing Sheets**





**FIG. 1**

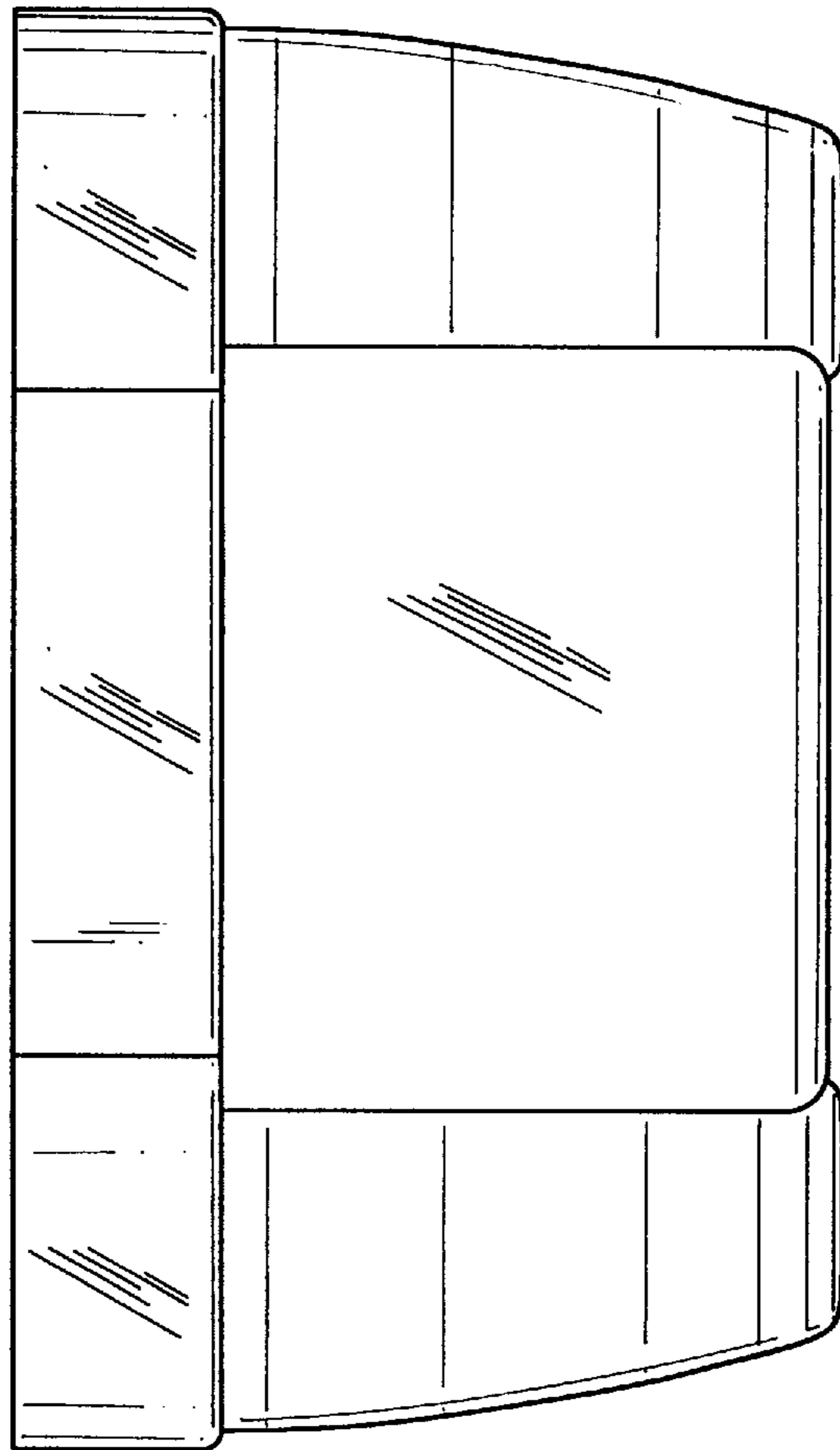


FIG. 2

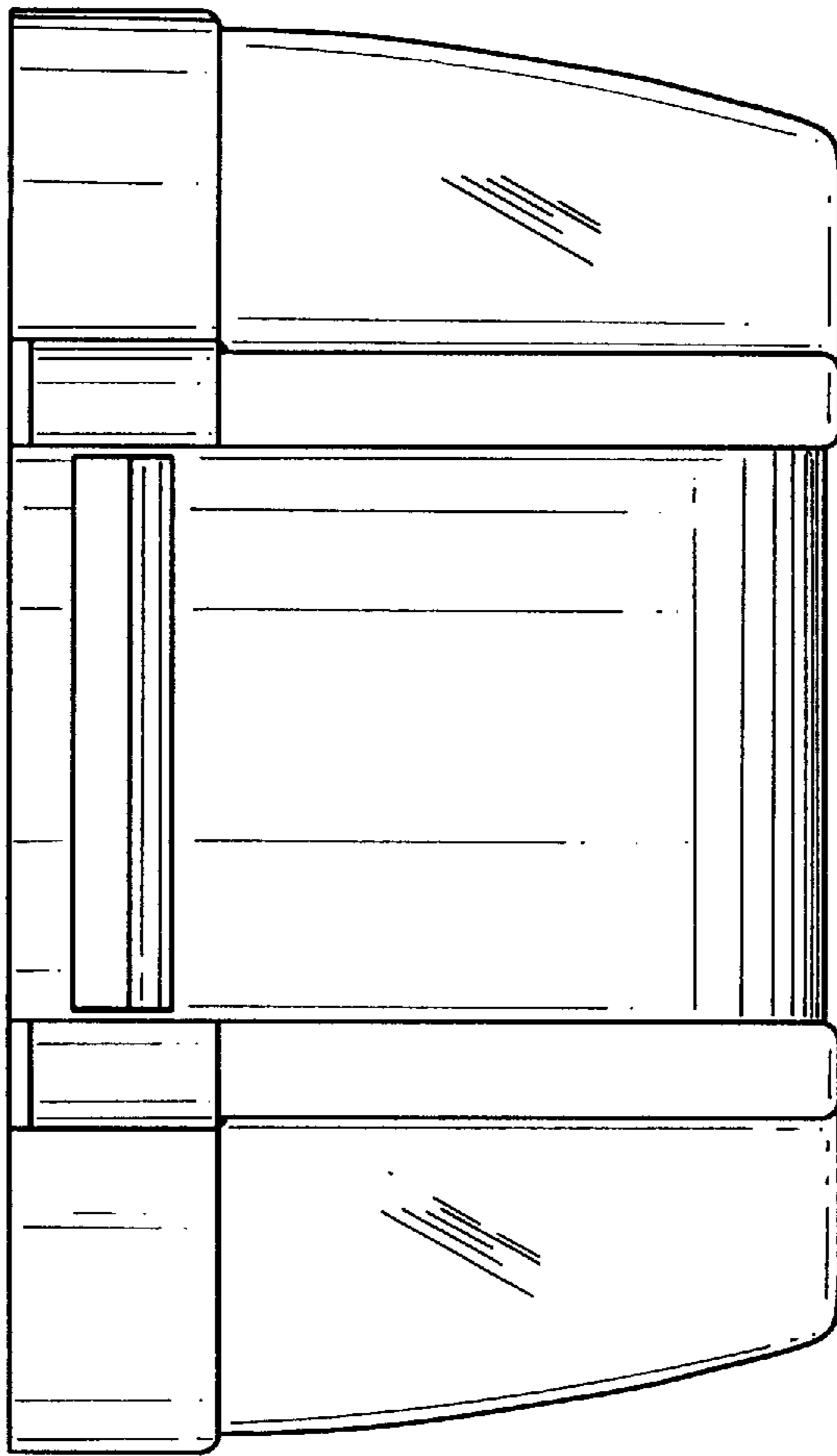


FIG. 3

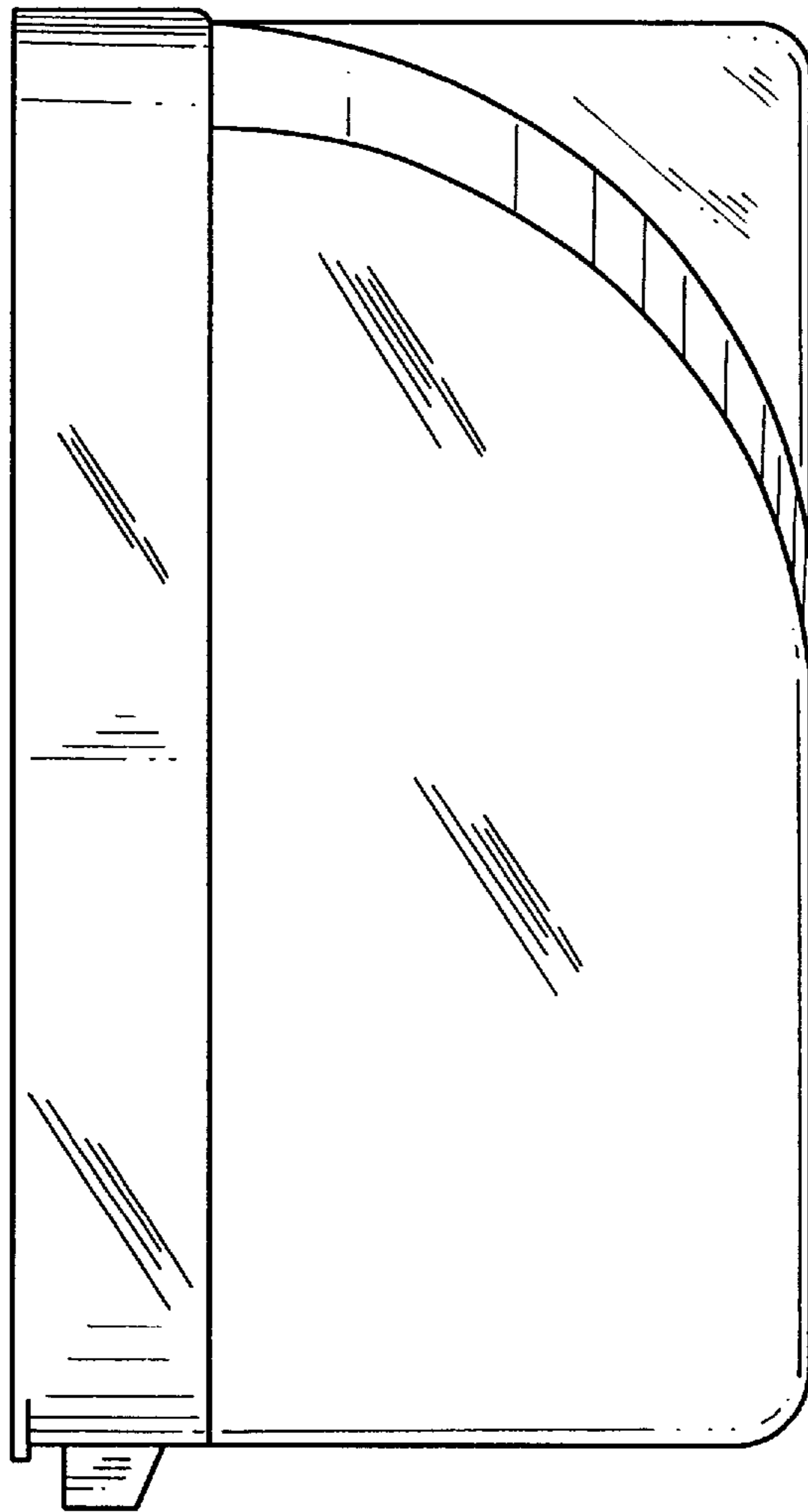


FIG. 4

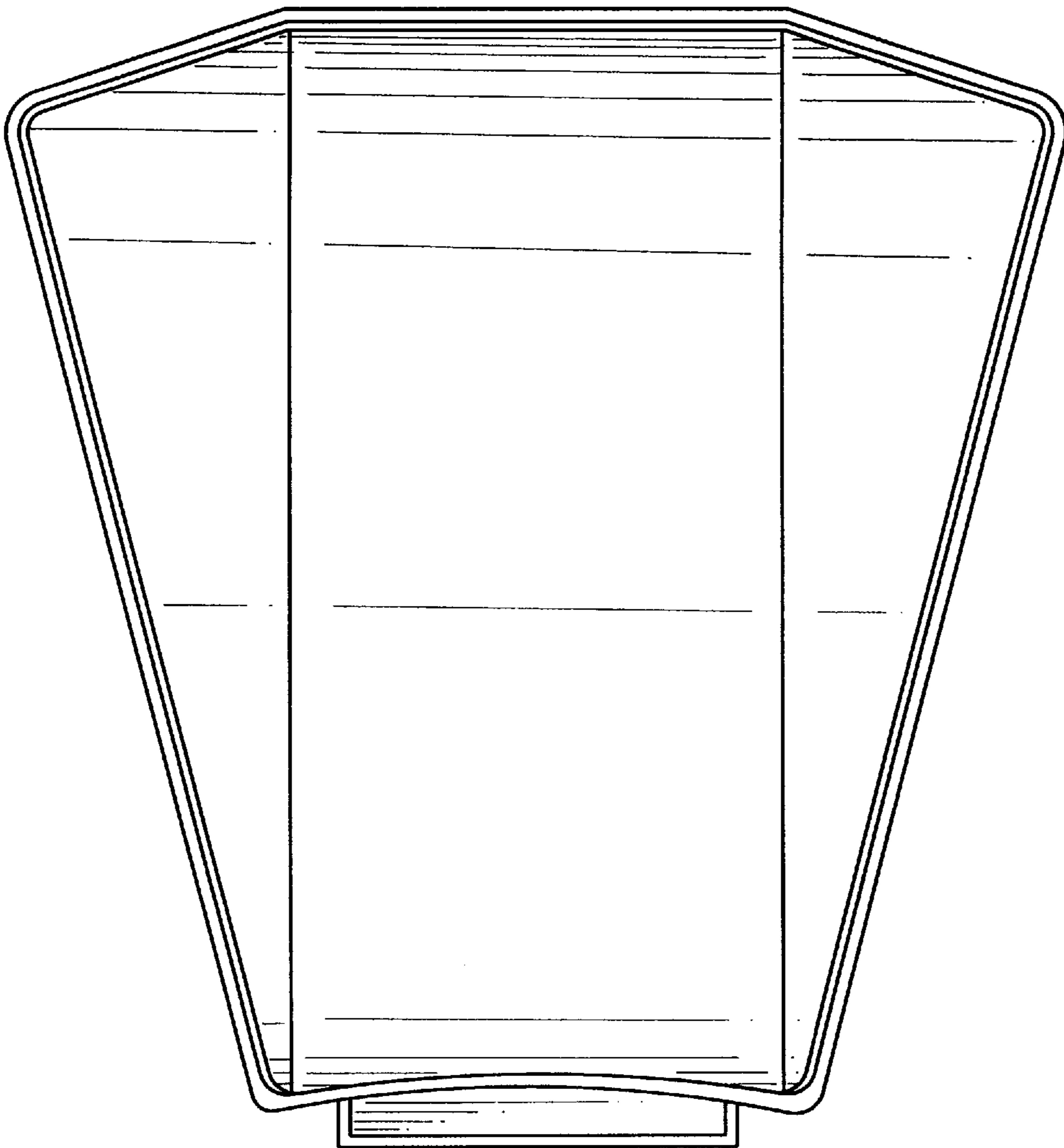


FIG. 5

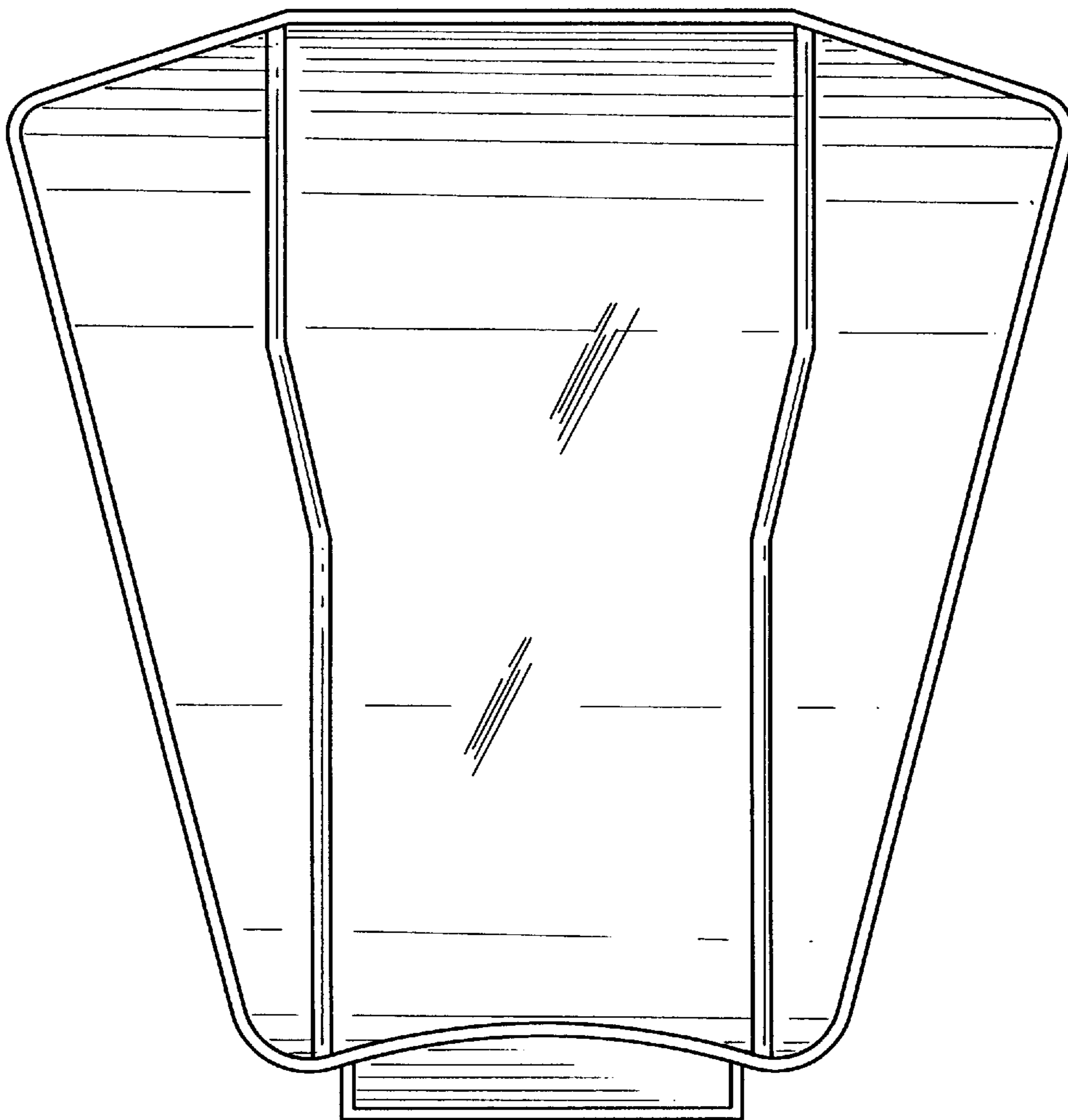


FIG. 6