



US00D399654S

United States Patent [19] Mandell

[11] **Patent Number: Des. 399,654**

[45] **Date of Patent: **Oct. 20, 1998**

[54] STORAGE BOX

[75] Inventor: **Jon Mandell**, North Canton, Ohio

[73] Assignee: **Rubbermaid Incorporated**, Wooster, Ohio

[**] Term: **14 Years**

[21] Appl. No.: **73,511**

[22] Filed: **Jul. 14, 1997**

[51] **LOC (6) Cl. 03-01**

[52] **U.S. Cl. D3/294; D3/273; D9/424**

[58] **Field of Search D3/273, 274, 294, D3/302, 905; D9/423, 424; D25/16, 15; 206/503, 508, 515, 518; 312/203, 204, 226, 290**

[56] **References Cited**

U.S. PATENT DOCUMENTS

D. 168,205	11/1952	Baustian et al.	D7/5
D. 251,153	2/1979	Thompson	D3/302
D. 300,362	3/1989	Adams	D25/33
D. 309,106	7/1990	Willson	D9/430
D. 319,016	8/1991	Kahl	D9/424
D. 321,091	10/1991	Dickinson	D3/78
D. 329,747	9/1992	Embree	D3/78
D. 332,332	1/1993	Markey	D34/1
D. 347,324	5/1994	Dickinson	D3/272
D. 364,468	11/1995	Maple	D25/16
D. 365,154	12/1995	Maple	D25/16
D. 367,958	3/1996	Tisbo et al.	D3/273
D. 368,161	3/1996	Miller	D3/326
D. 370,345	6/1996	Wolff	D3/312
D. 373,022	8/1996	Sagol	D3/279
D. 374,772	10/1996	Hotaling et al.	D3/276
D. 374,774	10/1996	Cassel	D3/294
D. 375,168	10/1996	Hunt et al.	D25/16
D. 375,169	10/1996	Hunt et al.	D25/16
D. 376,259	12/1996	Dickinson et al.	D3/273
D. 381,512	7/1997	Green	D3/273
D. 382,112	8/1997	Egan	D3/273
D. 389,646	1/1998	Sankey et al.	D3/294
4,848,626	7/1989	Waters	224/273

OTHER PUBLICATIONS

Catalog page, Storage box; The Little Tikes Company, 2180 Barlow Road, Hudson, Ohio 44236. Publication date Jan., 1997.

Label, Storage box; Contico Manufacturing Co., 1101 Warson Road, St. Louis, Missouri 63132. Published at least as early as May, 1993.

Pages 10 and 23, Storage boxes; Contico Manufacturing Co., 1101 Warson Road, St. Louis, Missouri 63132.

Label, Storage boxes; Contico Manufacturing Co., 1101 Warson Road, St. Louis, Missouri 63132. Published at least as early as Jun., 1997.

Installation instructions; Storage box; Delta Inc. of Arkansas, 4800 Kruger Drive, Jonesboro, Arkansas 72401. Published at least as early as Oct., 1988.

Label, Storage box; Igloo Corporation, 1001 West Belt Drive, P. O. Box 19322, Houston, Texas 77224. Publication date 1993.

P. 27, Storage boxes; Follansbee Dock System, State Street, P. O. Box 610, Follansbee, West Virginia 26037. Published at least as early as Jul., 1990.

Sell sheet, Storage box; The Coleman Company, Inc., 250 North St. Francis, P. O. Box 2931, Wichita, Kansas 67201. Published at least as early as 1992. Published at least as early as 1992.

(List continued on next page.)

Primary Examiner—Philip S. Hyder

Attorney, Agent, or Firm—Richard B. O’Planick

[57] **CLAIM**

The ornamental design for a storage box, as shown and described.

DESCRIPTION

FIG. 1 is a top right front perspective view of a storage box showing my new design;

FIG. 2 is a front elevational view thereof;

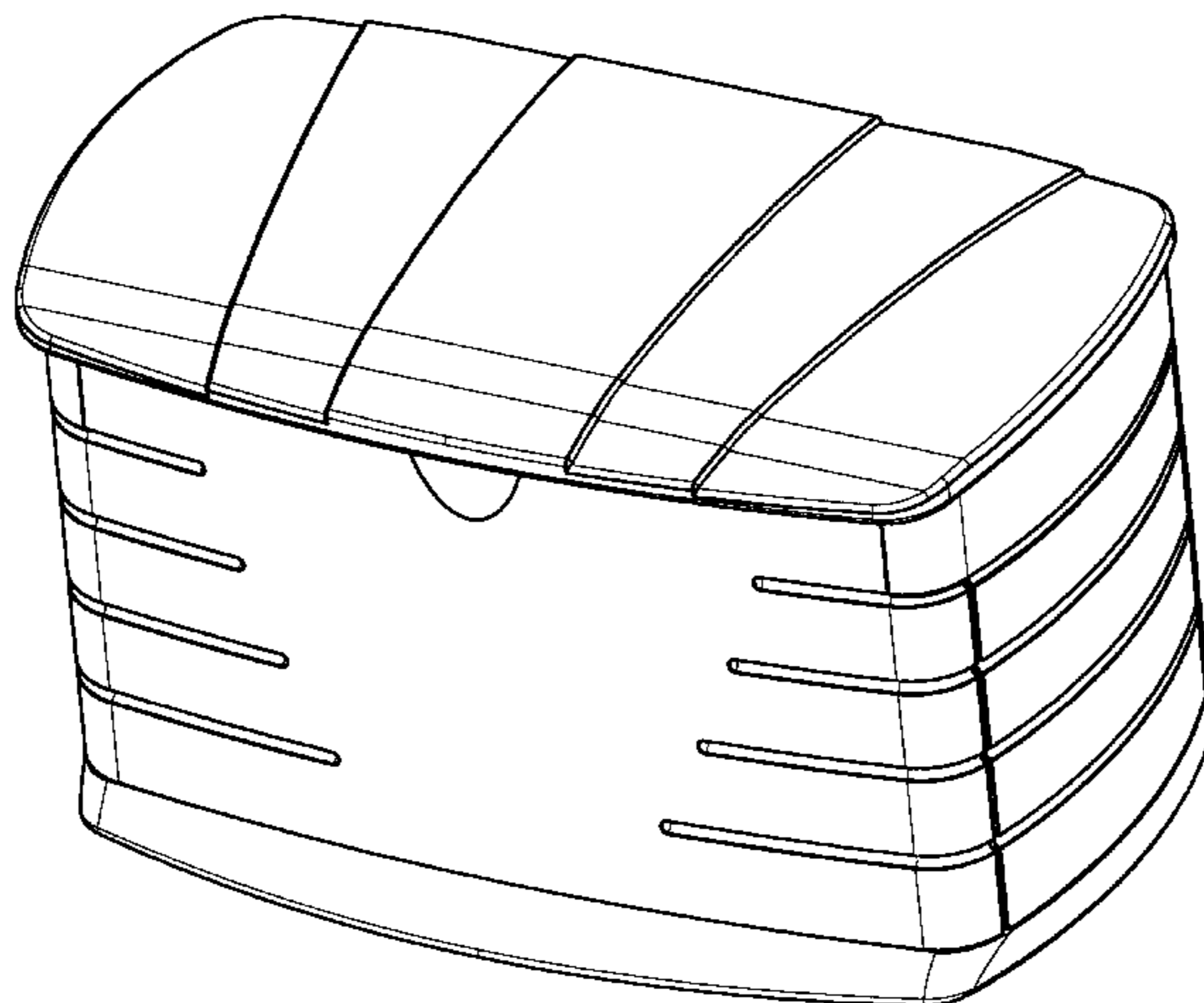
FIG. 3 is a top plan view thereof;

FIG. 4 is a left side elevational view thereof; the right side elevational view being a mirror image;

FIG. 5 is a rear elevational view thereof; and,

FIG. 6 is a bottom plan view thereof.

1 Claim, 6 Drawing Sheets



OTHER PUBLICATIONS

P. 31, Storage box; Step 2 Corporation, 10010 Aurora-Hudson Road, P. O. Box 2412, Streetsboro, Ohio 44241. Publication date 1996.

Catalog page, Storage boxes; Handy Home Products, P. O. Box 548, Walled Lake, Michigan 48390-3222. Published at least as early as 1991.

Catalog page, Storage boxes; Arrow, address unknown. Published at least as early as 1991.

P. 12, Storage box; Heinz Kettler Metallwarenfabrik GmbH & Co., D-4763 Ense-Parsit, Postfach 1020. Published at least as early as 1991.

Catalog page, Storage box; Rubbermaid Incorporated, 1147 Akron Road, Wooster, Ohio 44691. Publication date Jul., 1997.

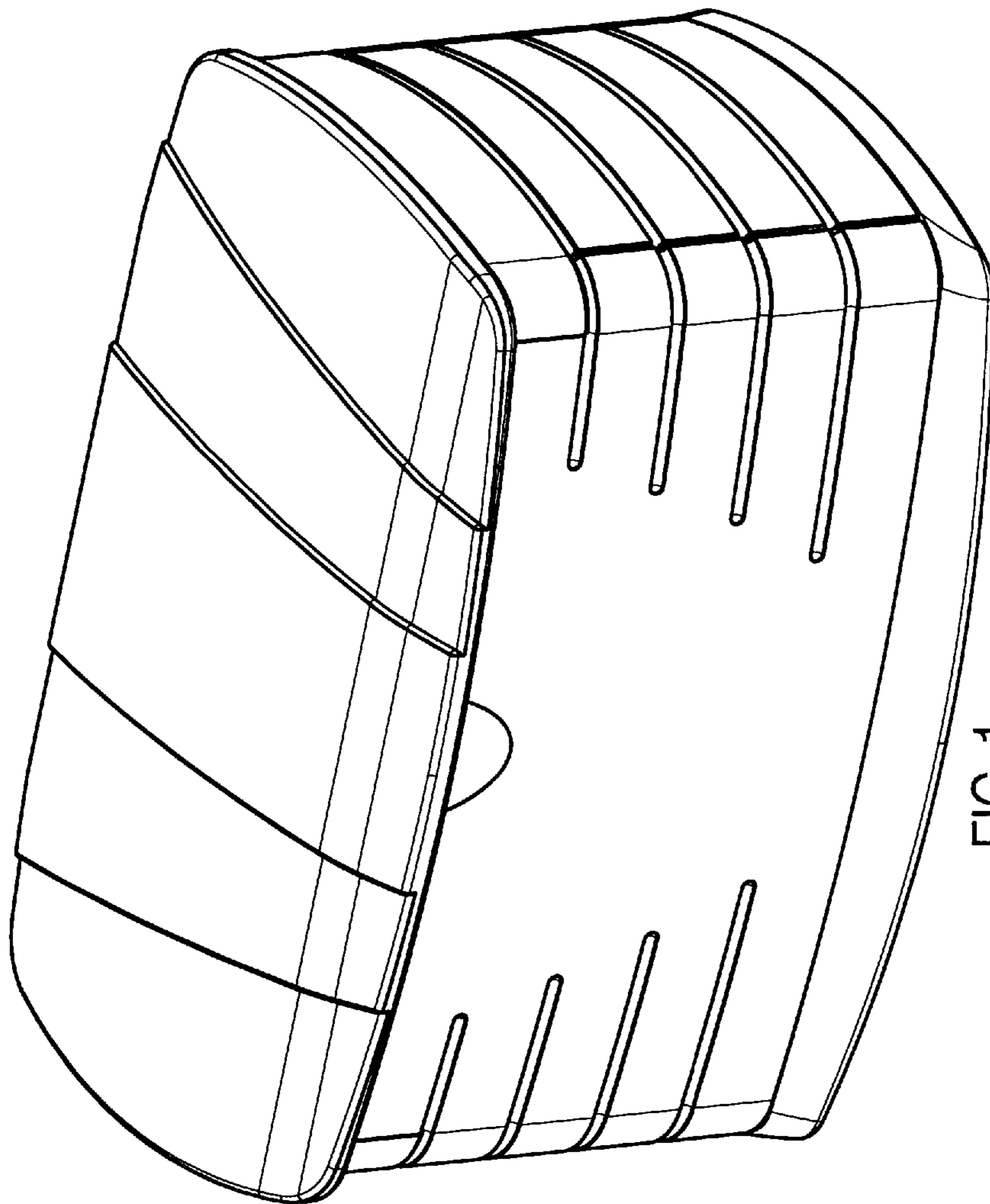


FIG. 1

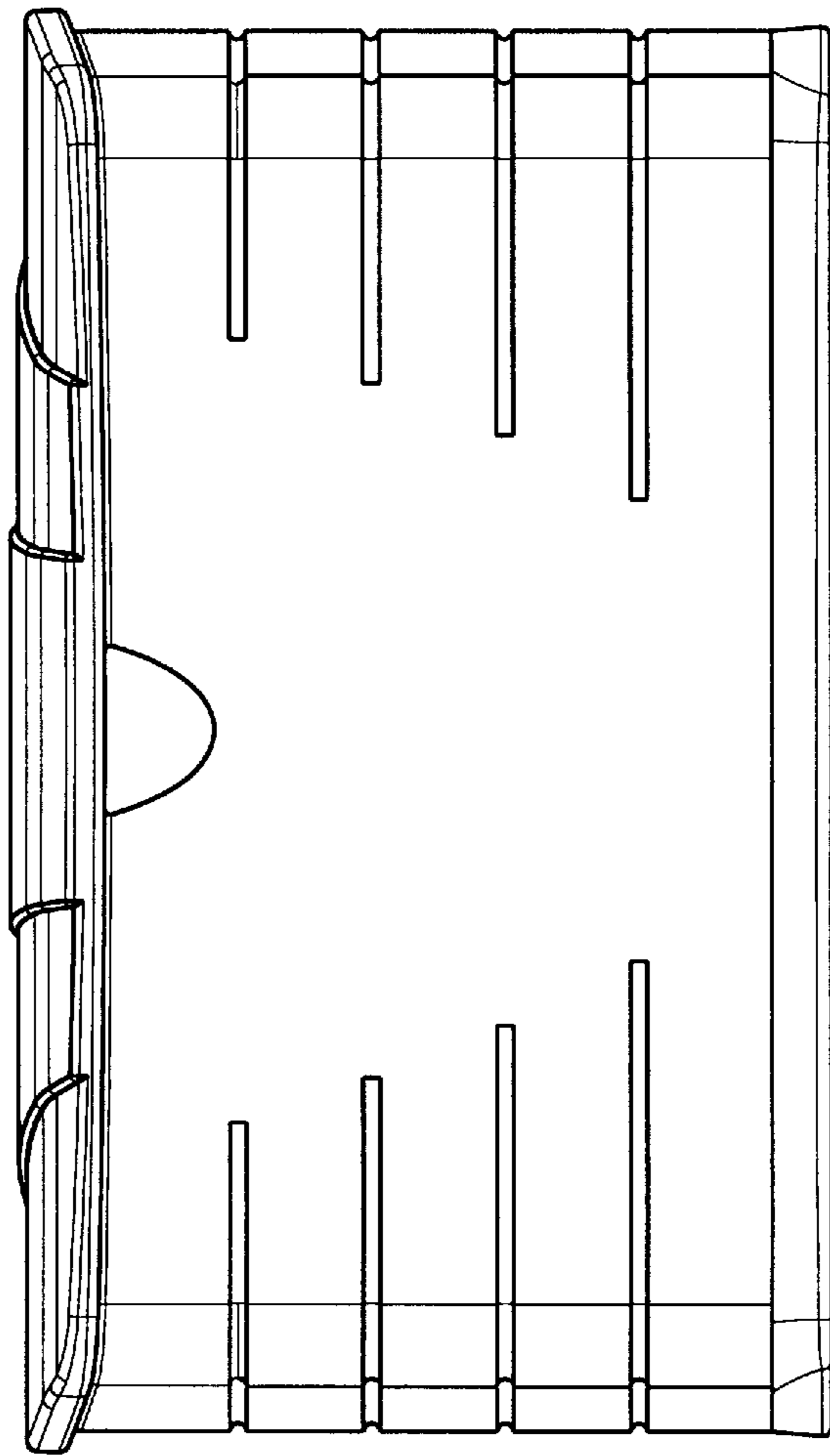


FIG. 2

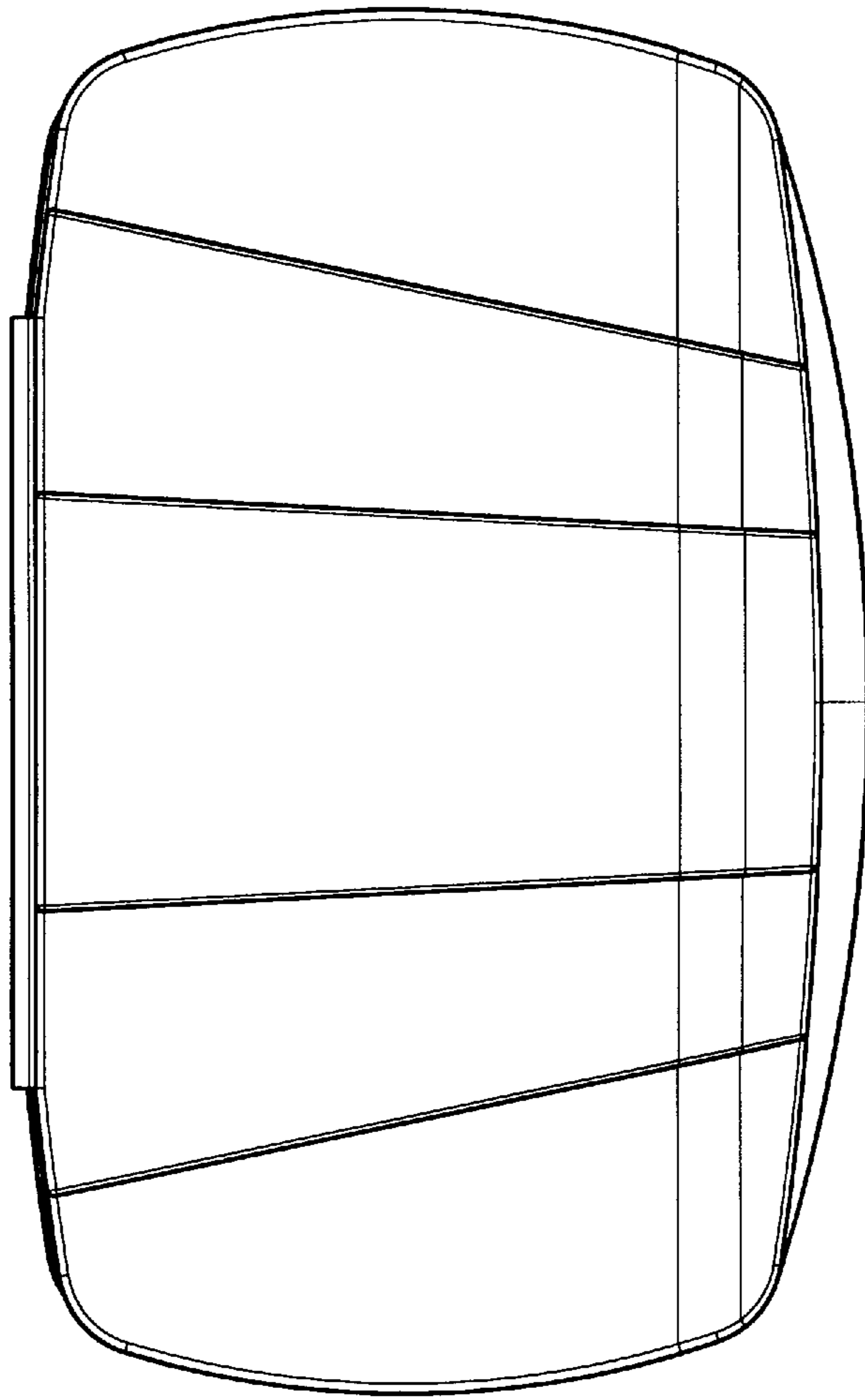


FIG. 3

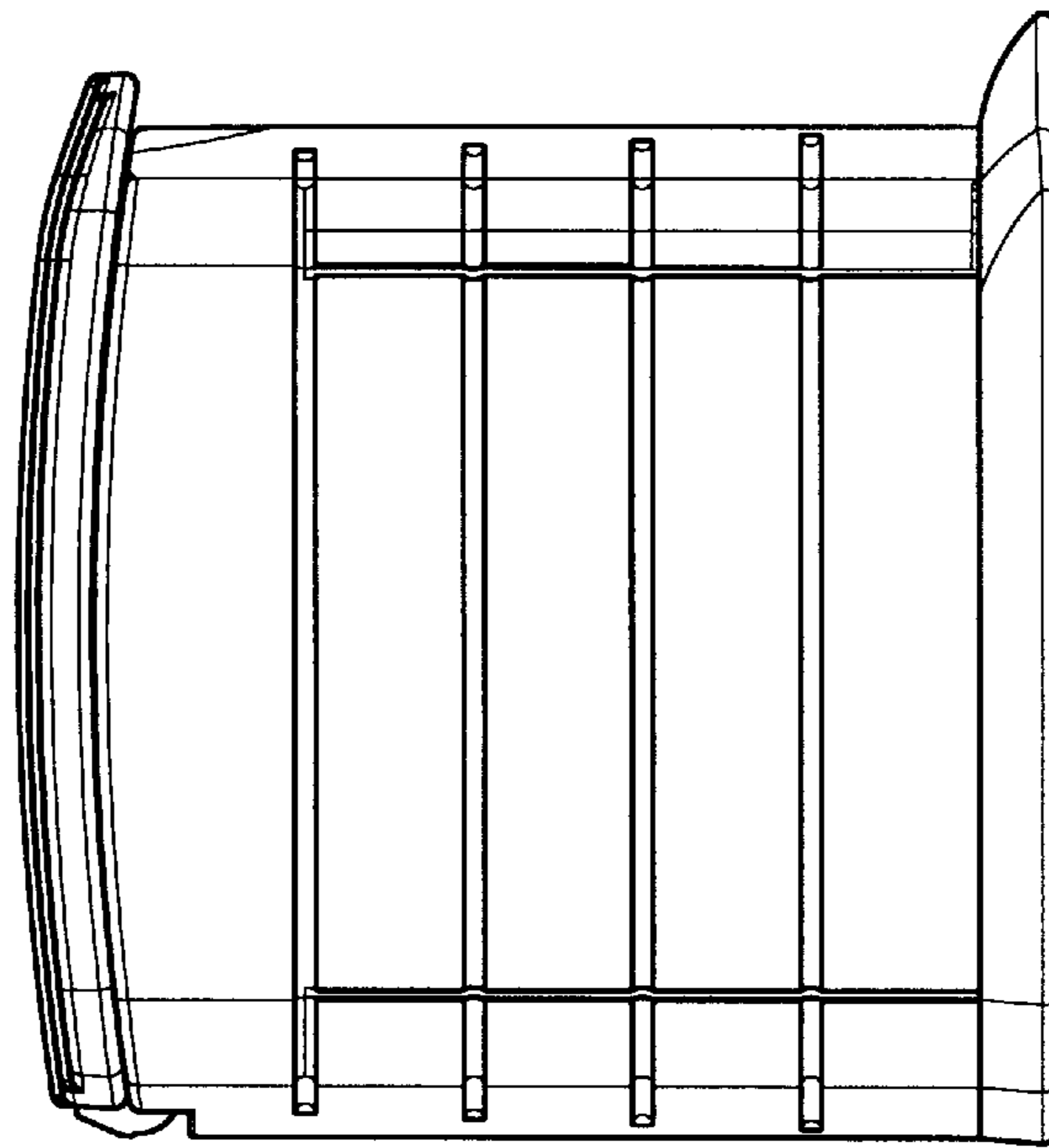


FIG. 4

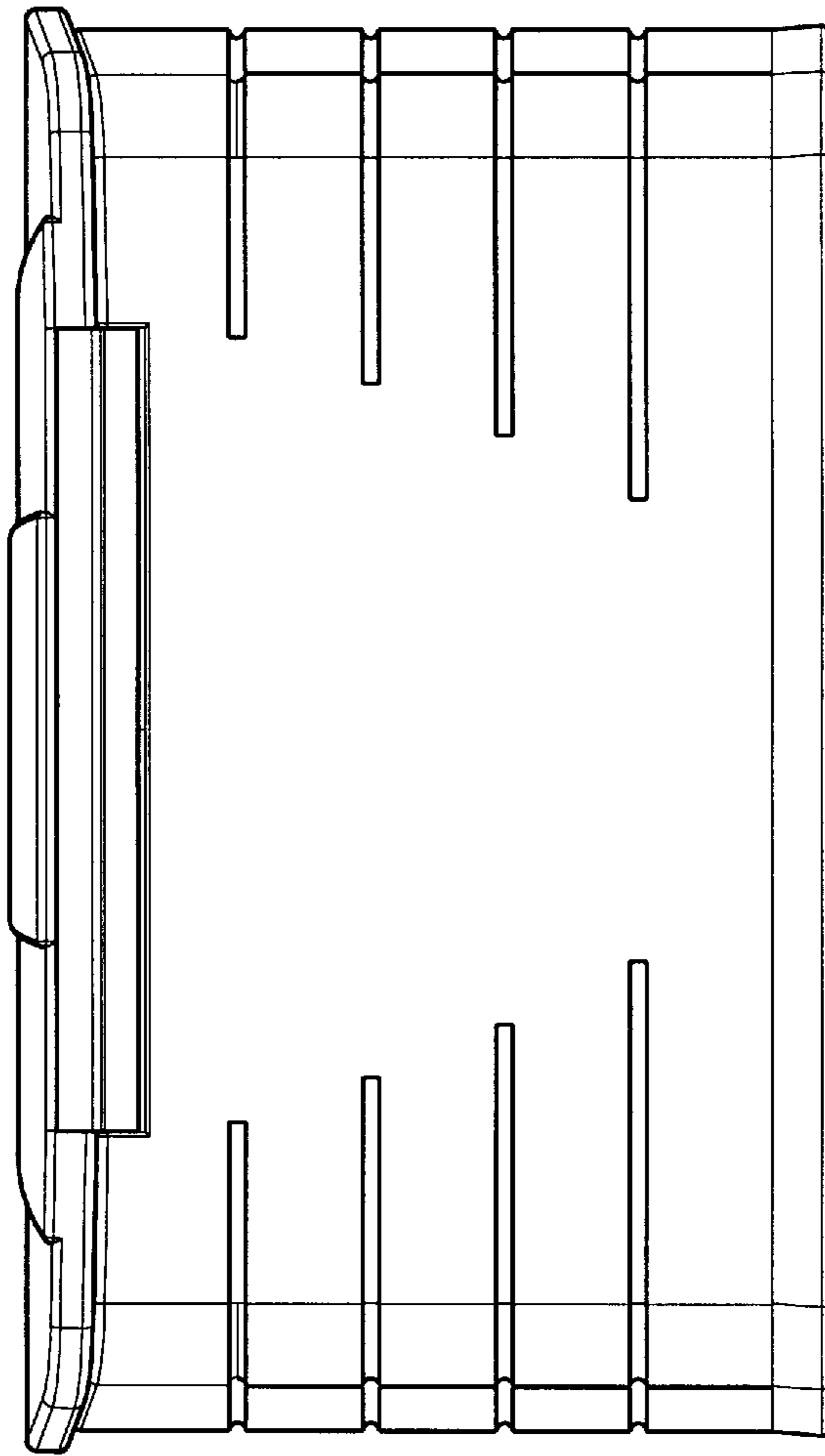


FIG. 5

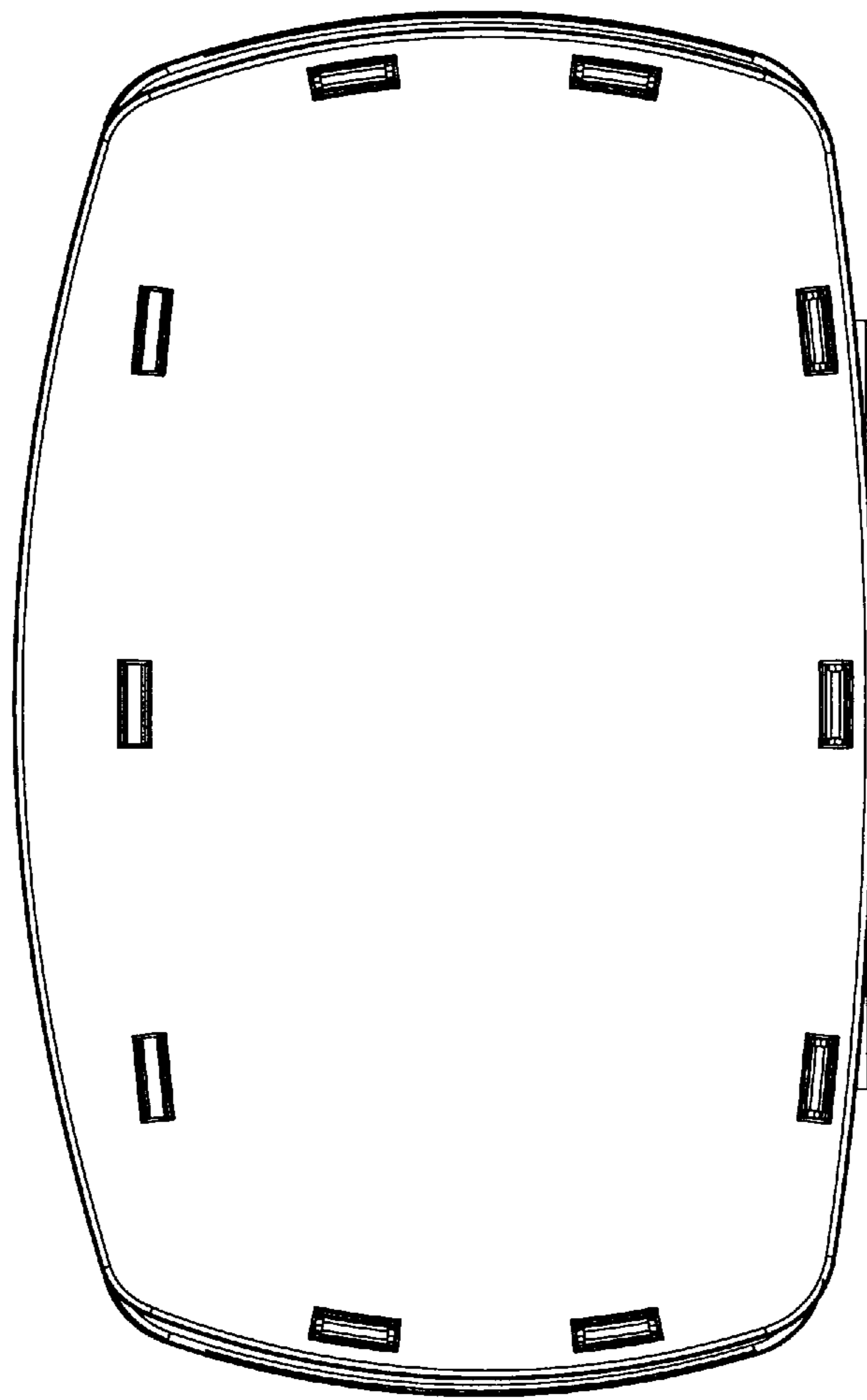


FIG. 6