



US00D399653S

United States Patent [19]

Shellenberger et al.

[11] Patent Number: Des. 399,653

[45] Date of Patent: **Oct. 20, 1998

[54] CASE FOR STORING SADDLE BLANKETS

[76] Inventors: **Howard K. Shellenberger; Linda J. Shellenberger**, both of 1115 Brinckman Rd., Pennsburg, Pa. 18073

[**] Term: 14 Years

[21] Appl. No.: 69,453

[22] Filed: Apr. 30, 1997

[51] LOC (6) Cl. 03-01

[52] U.S. Cl. D3/294; D3/273

[58] Field of Search D3/294, 900, 276, D3/284, 281; 190/110, 111, 112, 113, 114, 115

[56] References Cited

U.S. PATENT DOCUMENTS

D. 178,759	9/1956	Braude	D3/900
D. 237,021	9/1975	Chilewich	D3/900
D. 238,402	1/1976	Gorky	D3/900
D. 247,394	2/1978	Linke	D87/5 F
D. 256,189	8/1980	Rapoport	D3/284
D. 283,654	5/1986	Kim	D3/900
D. 284,137	6/1986	Kim	D3/900
D. 284,138	6/1986	Kim	D3/900
D. 294,884	3/1988	Kim	D3/900
D. 312,728	12/1990	Bailo	D3/900
D. 314,083	1/1991	Hankinson	D3/900
D. 325,818	5/1992	Kim	D3/76
D. 367,171	2/1996	Pucel	D3/276
3,912,055	10/1975	Malooly	190/52
3,921,768	11/1975	Gorky	190/26

3,967,708	7/1976	Gregg et al.	190/41 B
4,669,587	6/1987	Zitt	190/109
4,787,488	11/1988	Campanini	190/109
5,379,893	1/1995	Ruiz	206/320

OTHER PUBLICATIONS

Saddle Blanket Protector Bag; Wiese Equine Supply Catalog; Brockport, NY; early Spring 1997, p. 14.

Primary Examiner—Philip S. Hyder
Attorney, Agent, or Firm—Mark A. Garzia

[57] CLAIM

The ornamental design for a case for storing saddle blankets, as shown and described.

DESCRIPTION

FIG. 1 is a top plan view of a case for storing saddle blankets showing our new design;
 FIG. 2 is a left side elevational view thereof;
 FIG. 3 is a right side elevational view thereof;
 FIG. 4 is a rear elevational view thereof;
 FIG. 5 is a bottom plan view thereof;
 FIG. 6 is a front elevational view thereof;
 FIG. 7 is a perspective view thereof;
 FIG. 8 is a perspective view of the interior of the case shown in FIG. 5; and
 FIG. 9 is a bottom plan view of a related embodiment of the case shown in FIG. 5; and,
 FIG. 10 is a perspective view of the interior of the case shown in FIG. 9.

1 Claim, 4 Drawing Sheets

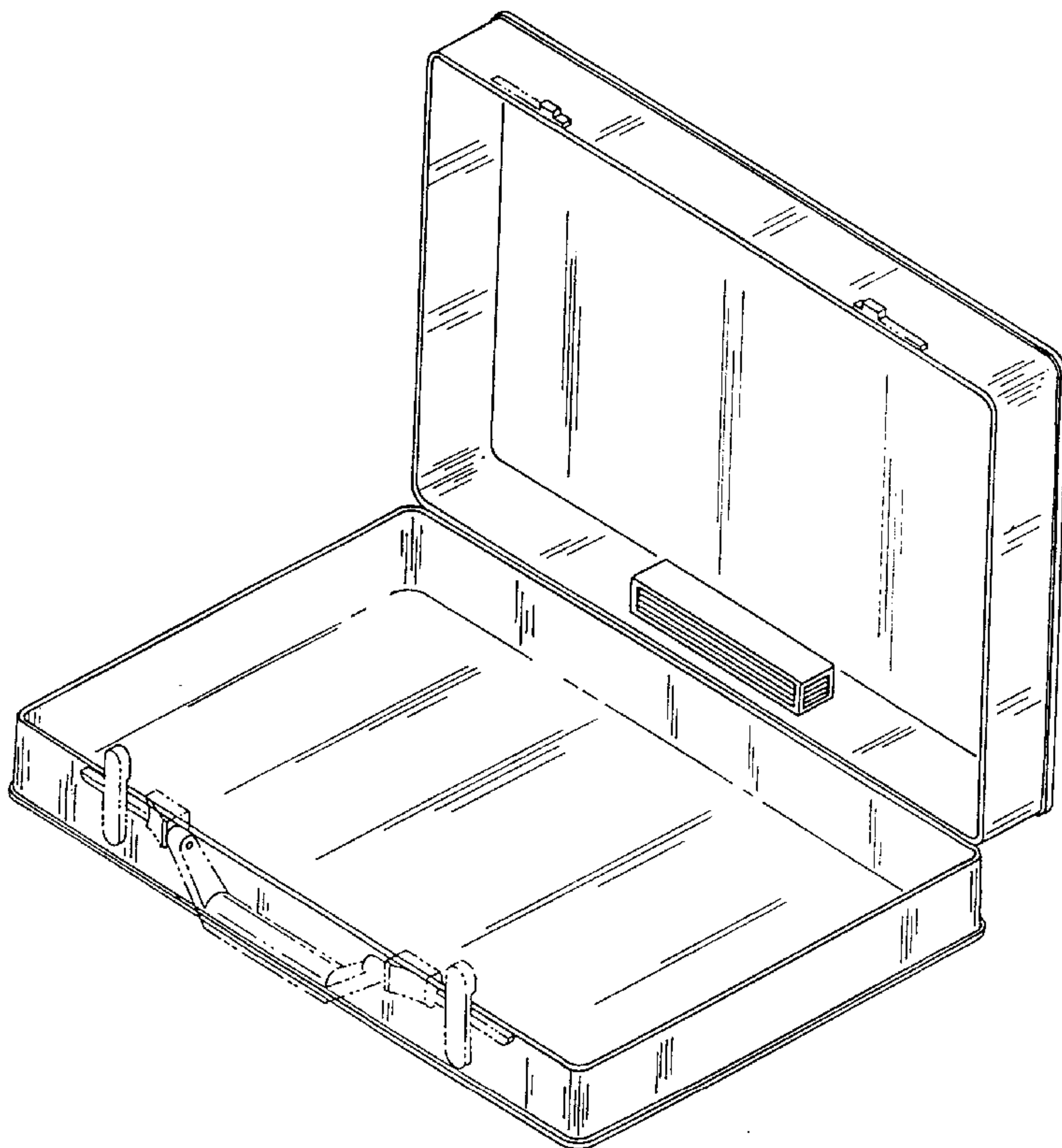


Fig. 3

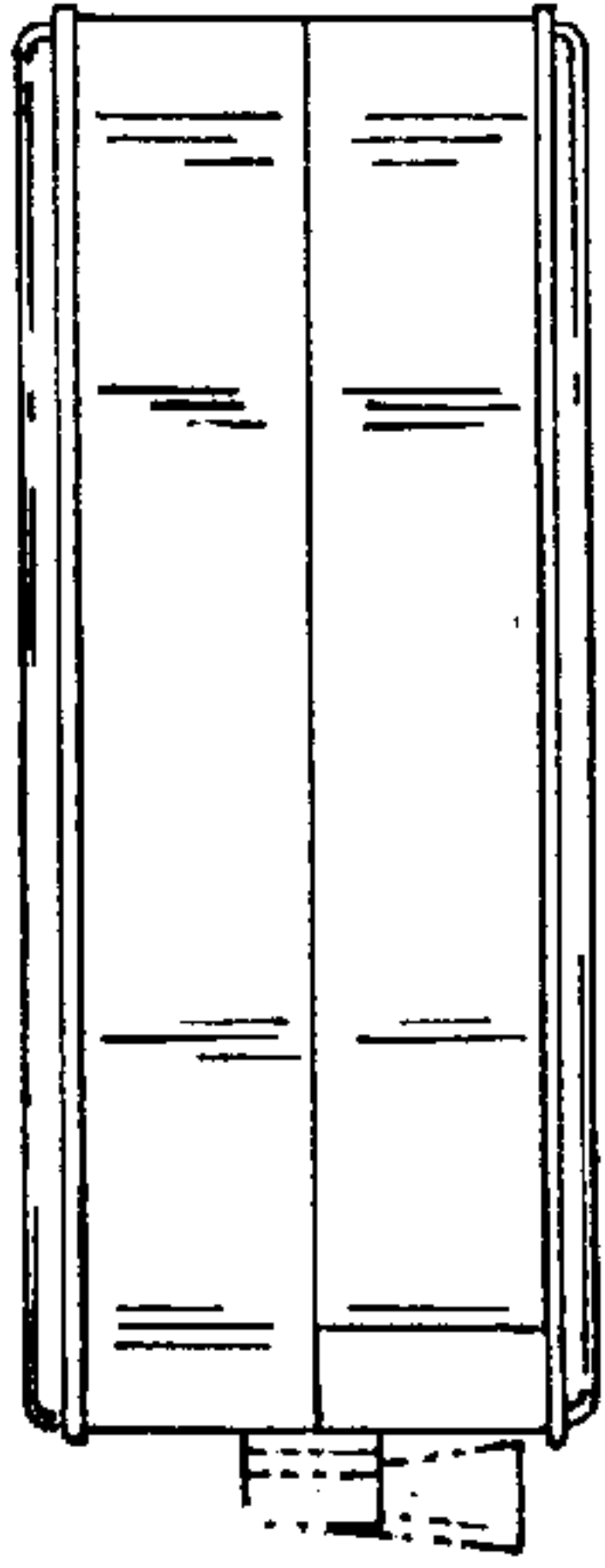


Fig. 1

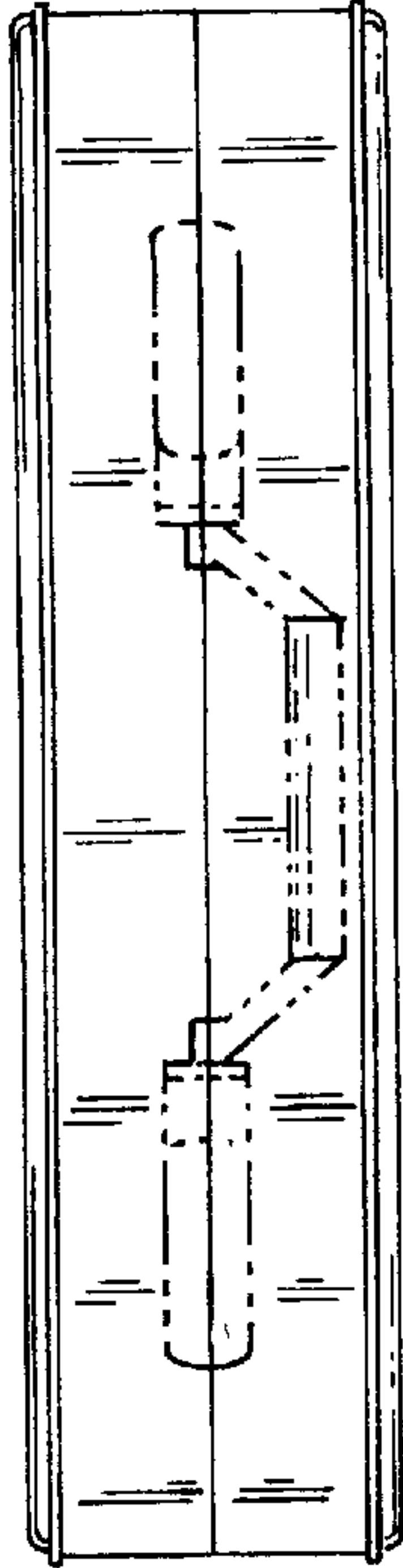


Fig. 2

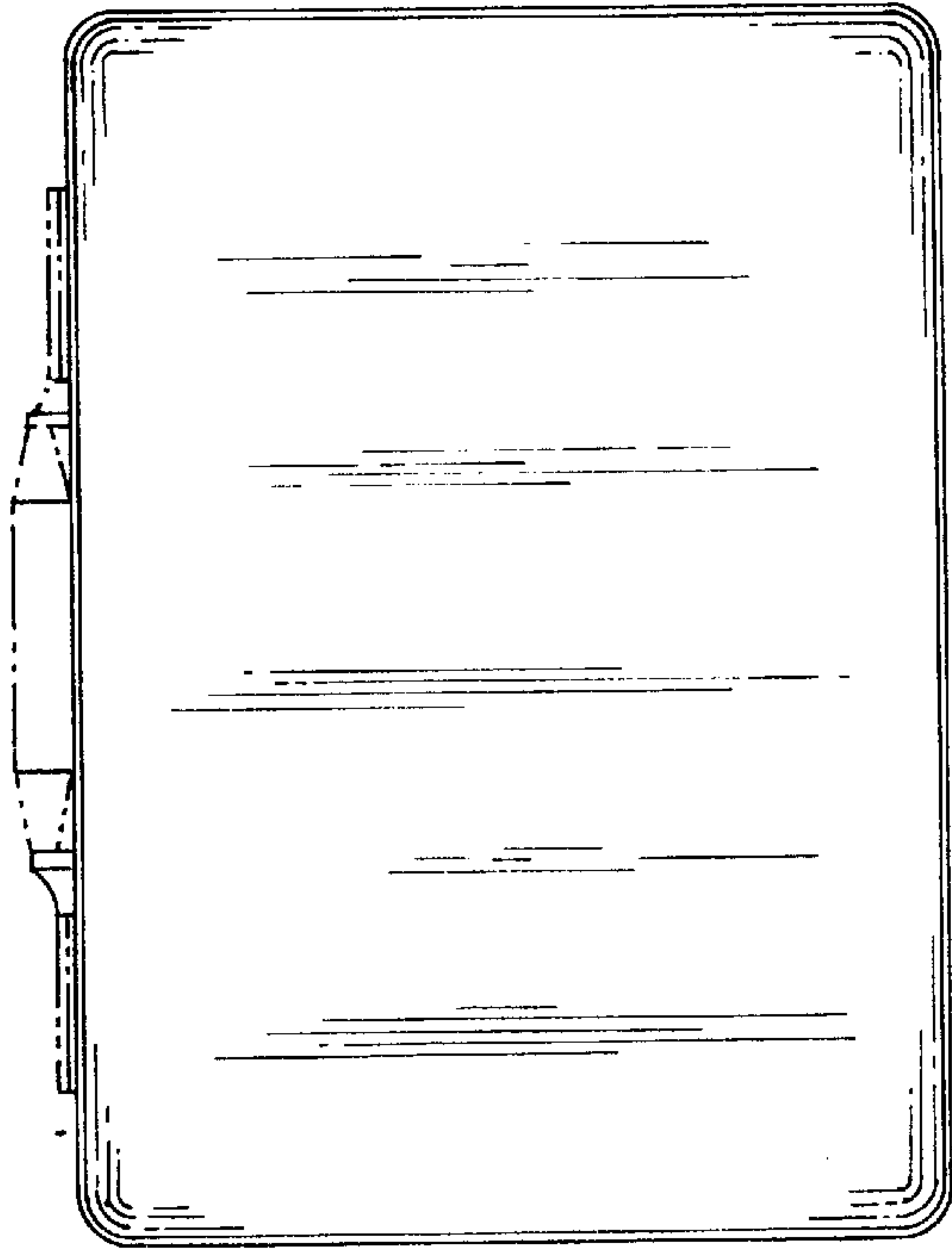
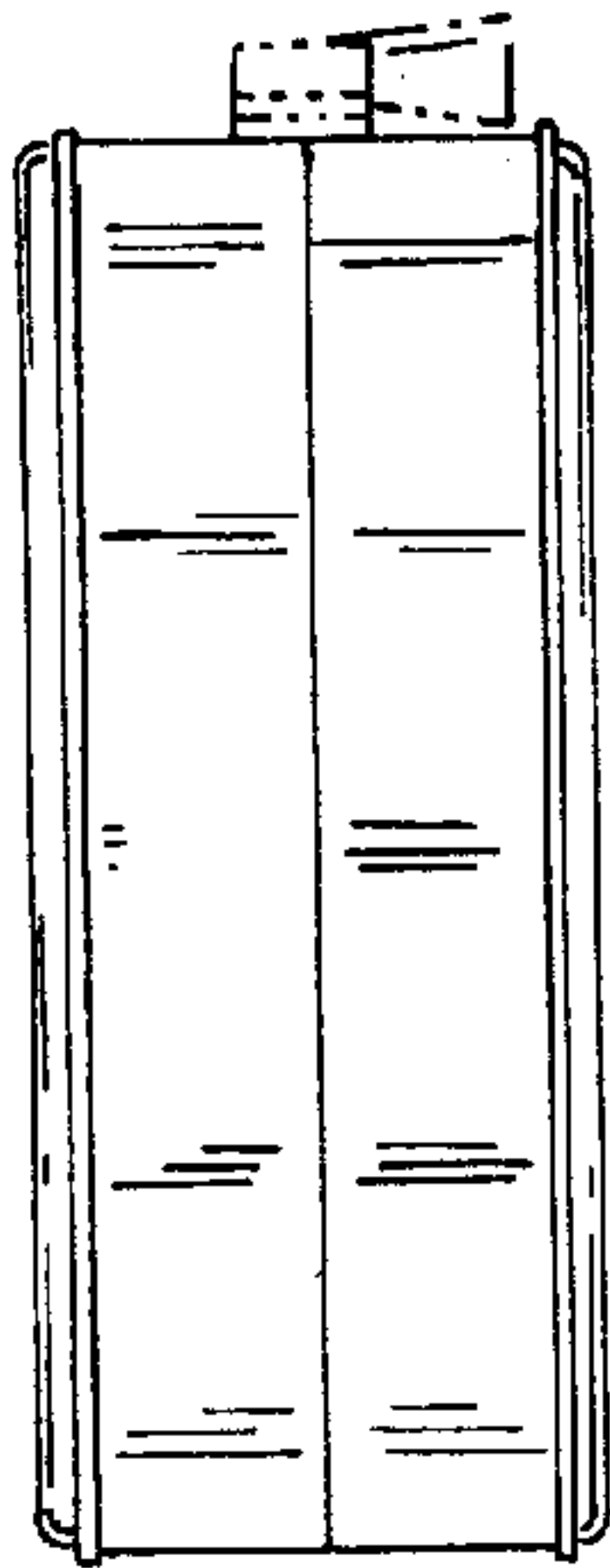


Fig. 4

Fig. 5

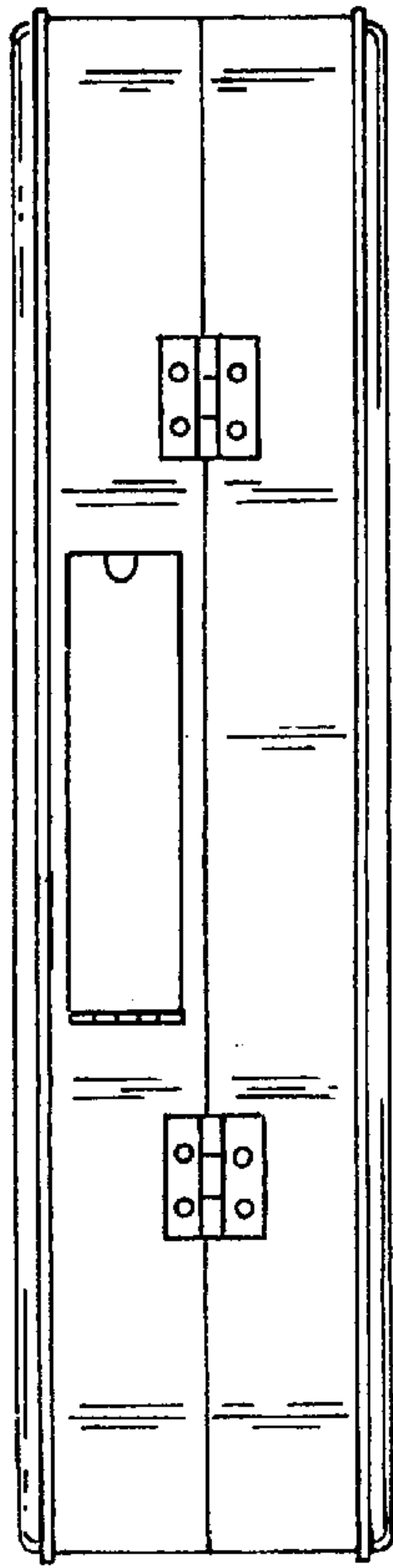


Fig. 9

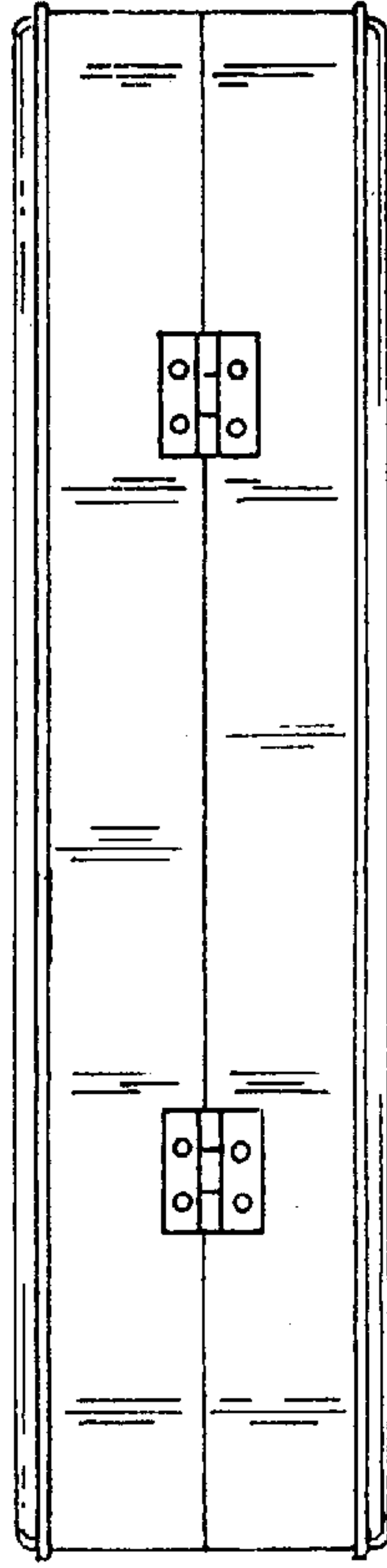
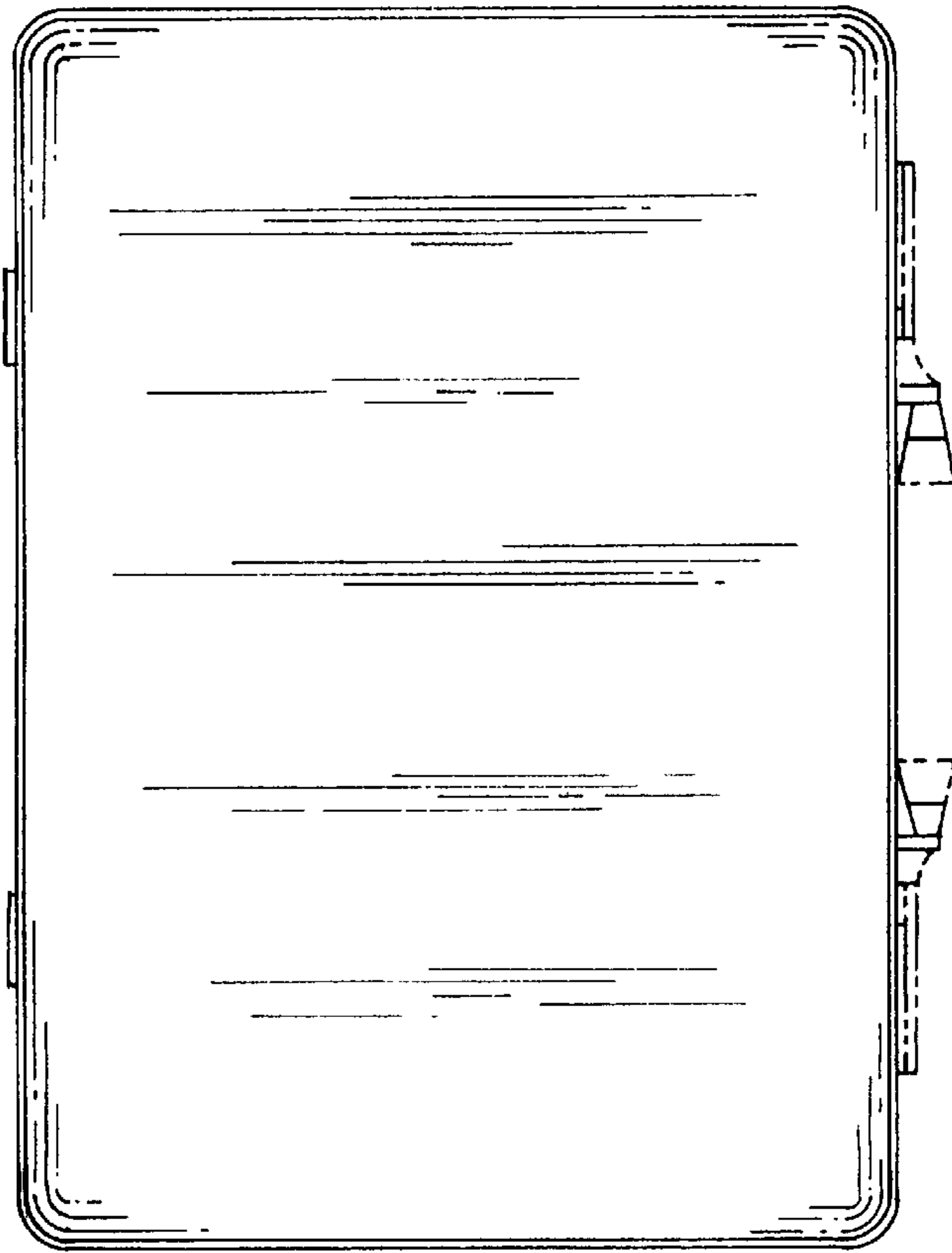


Fig. 6



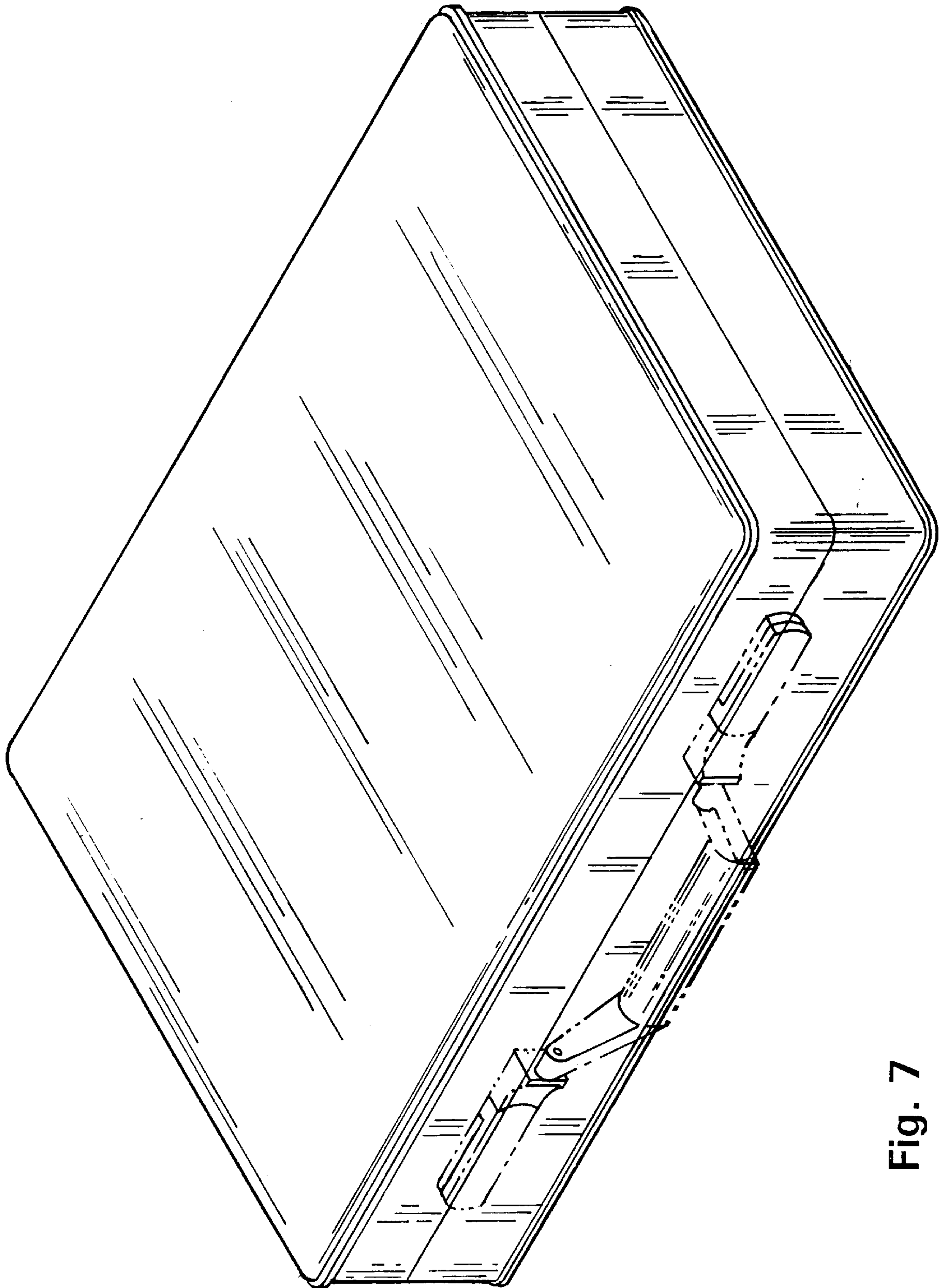


Fig. 7

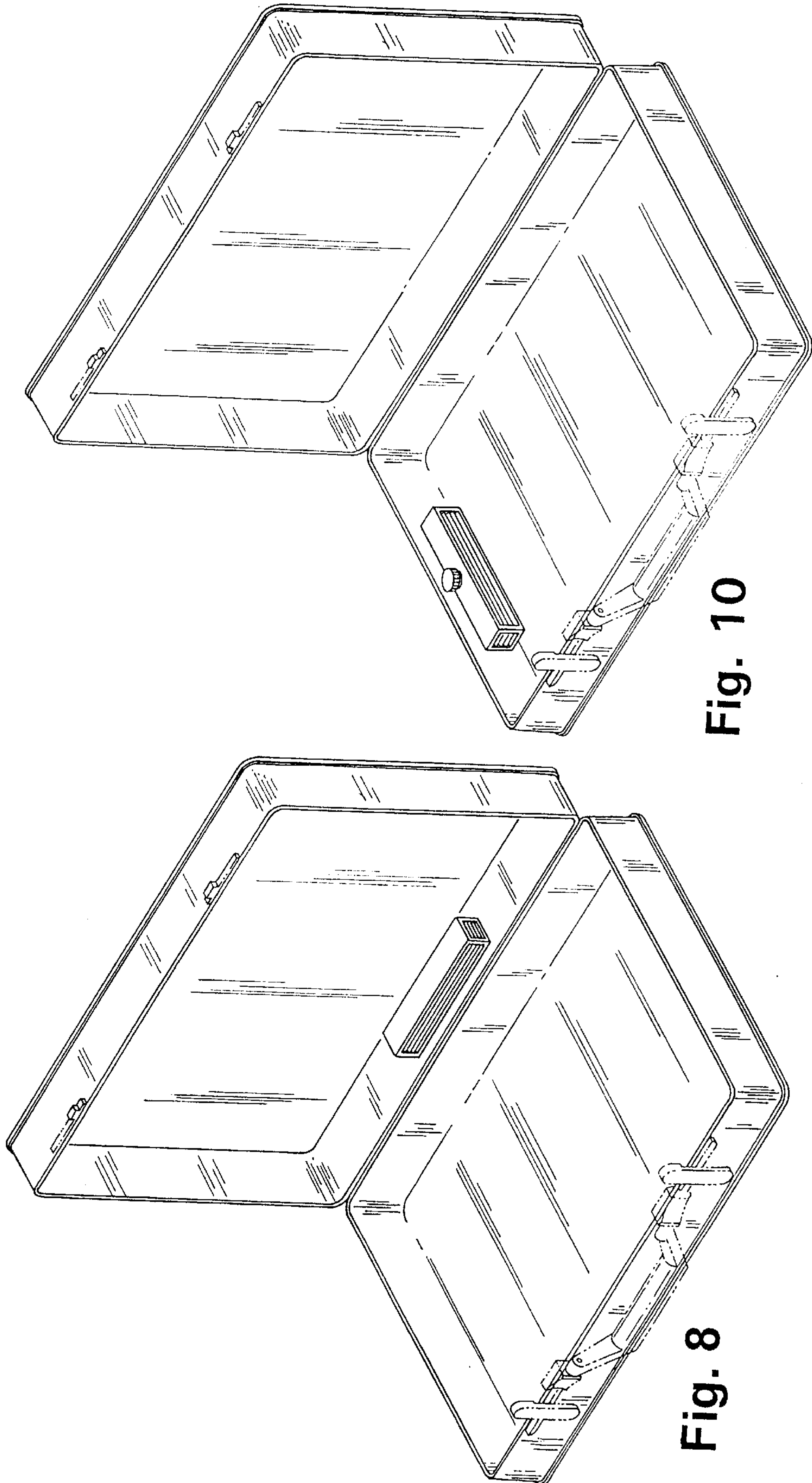


Fig. 10

Fig. 8