



US00D399651S

# United States Patent [19] Maguire

[11] Patent Number: **Des. 399,651**

[45] Date of Patent: **\*\*Oct. 20, 1998**

[54] **SEA CHEST STRUCTURE**

[76] Inventor: **Richard Maguire**, 2201 Laguna St., #505, San Francisco, Calif. 94115

[\*\*] Term: **14 Years**

[21] Appl. No.: **77,124**

[22] Filed: **Sep. 29, 1997**

[51] **LOC (6) Cl.** ..... **03-01**

[52] **U.S. Cl.** ..... **D3/272; D3/270**

[58] **Field of Search** ..... D3/269, 270, 271, D3/272, 273, 274, 294, 295; D6/440, 396; 206/278.1, 349; 190/19

[56] **References Cited**

**U.S. PATENT DOCUMENTS**

D. 73,972	11/1927	Eberhart	.....	D3/272
D. 76,561	10/1928	Snell	.....	D3/270
D. 84,954	8/1931	Purchas	.....	D3/270
D. 166,512	4/1952	White	.....	D3/272

D. 173,199	10/1954	Goodhue	.....	D3/270
D. 180,899	9/1957	Gilmore, Sr.	.....	D3/272
D. 328,676	8/1992	Miller	.....	D3/272
D. 334,662	4/1993	Van Berne	.....	D3/272
D. 354,518	1/1995	Dietterich	.....	D3/272

*Primary Examiner*—Philip S. Hyder

[57] **CLAIM**

The ornamental design for a sea chest structure, as shown and described.

**DESCRIPTION**

FIG. 1 is a front elevational view of the sea chest structure showing my new design;  
FIG. 2 is a rear elevational view thereof;  
FIG. 3 is a right side view thereof;  
FIG. 4 is a left side view thereof;  
FIG. 5 is a top plan view thereof; and,  
FIG. 6 is a bottom plan view thereof.

**1 Claim, 3 Drawing Sheets**

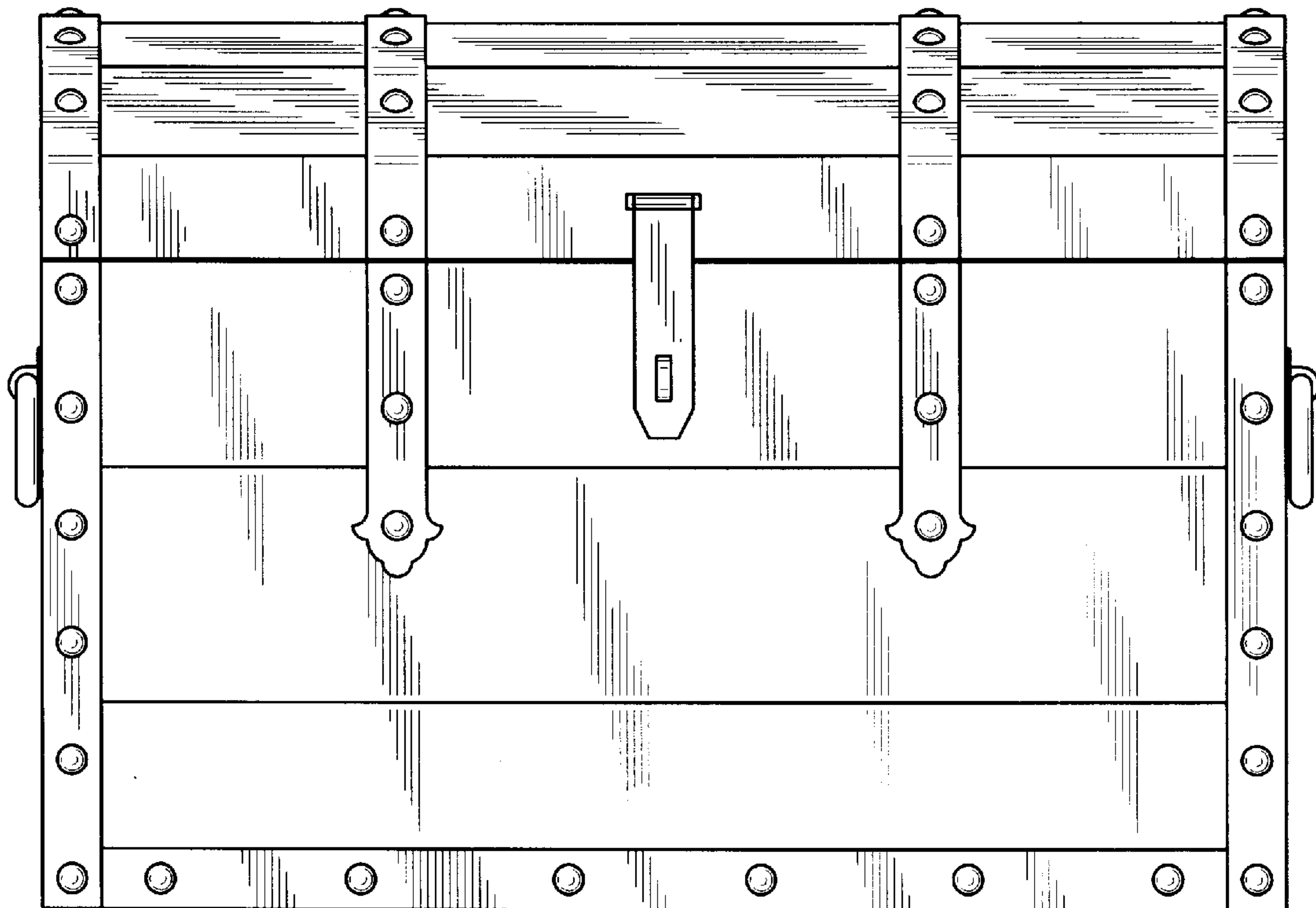


FIG. 1

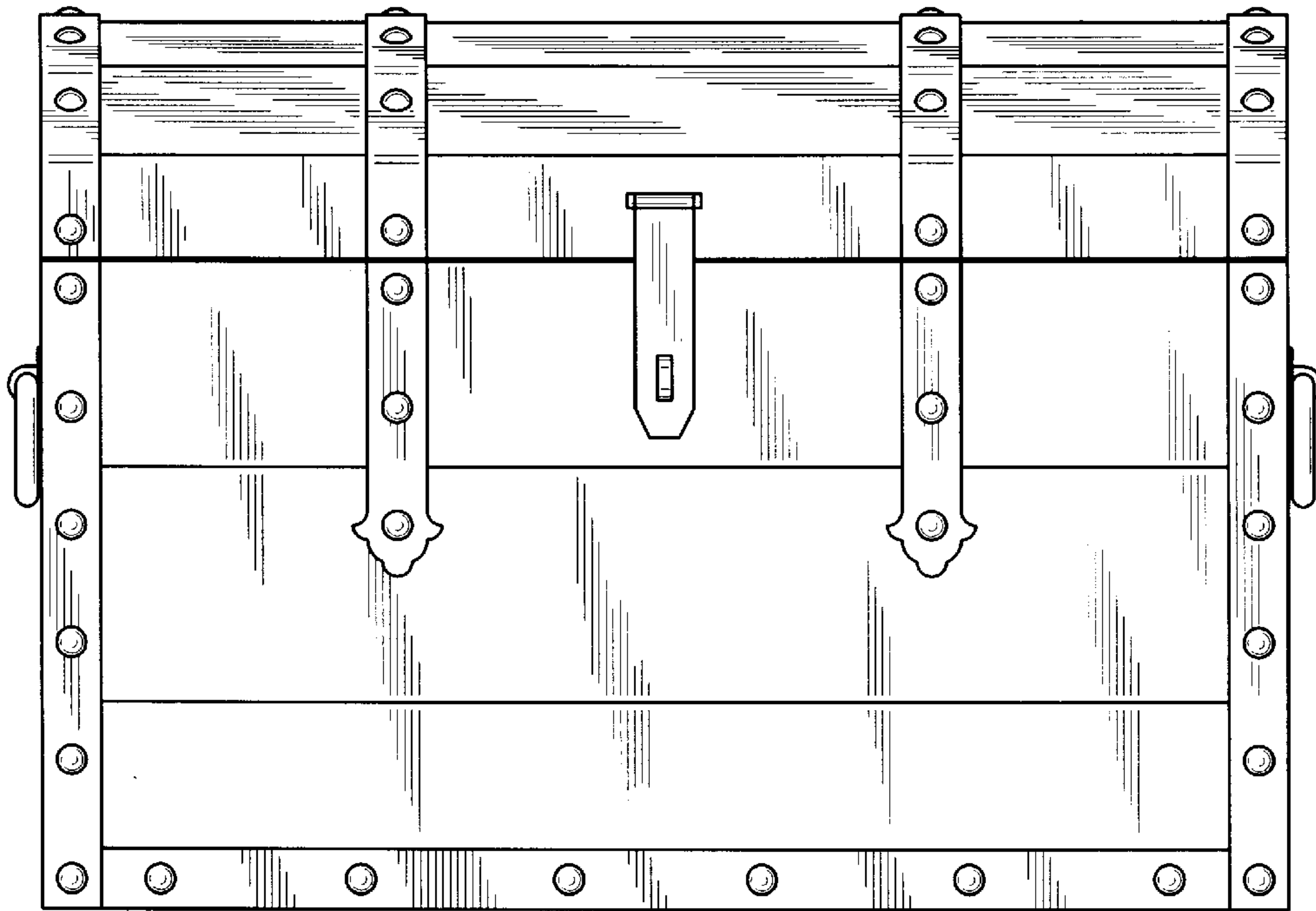


FIG. 2

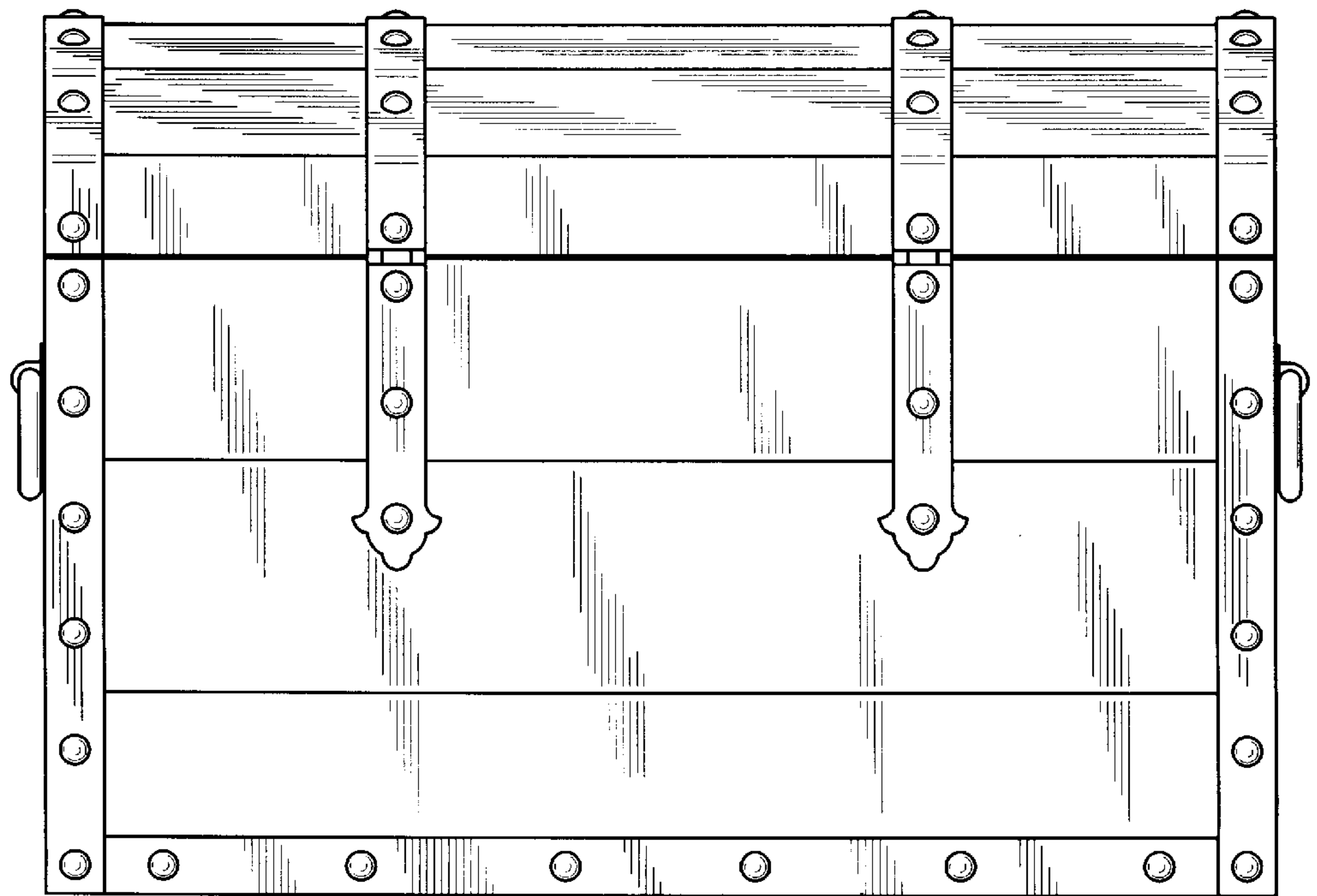


FIG. 3

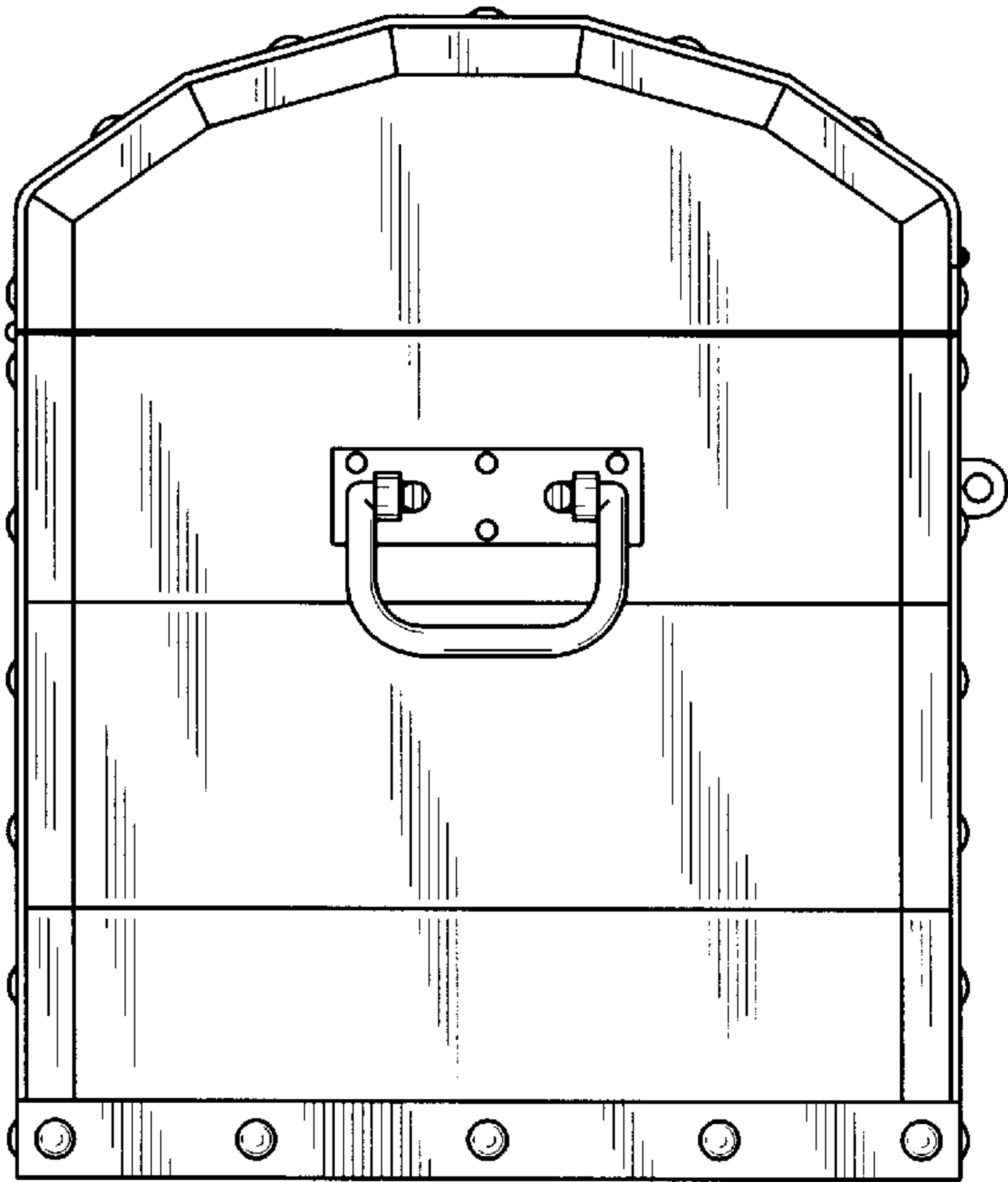


FIG. 4

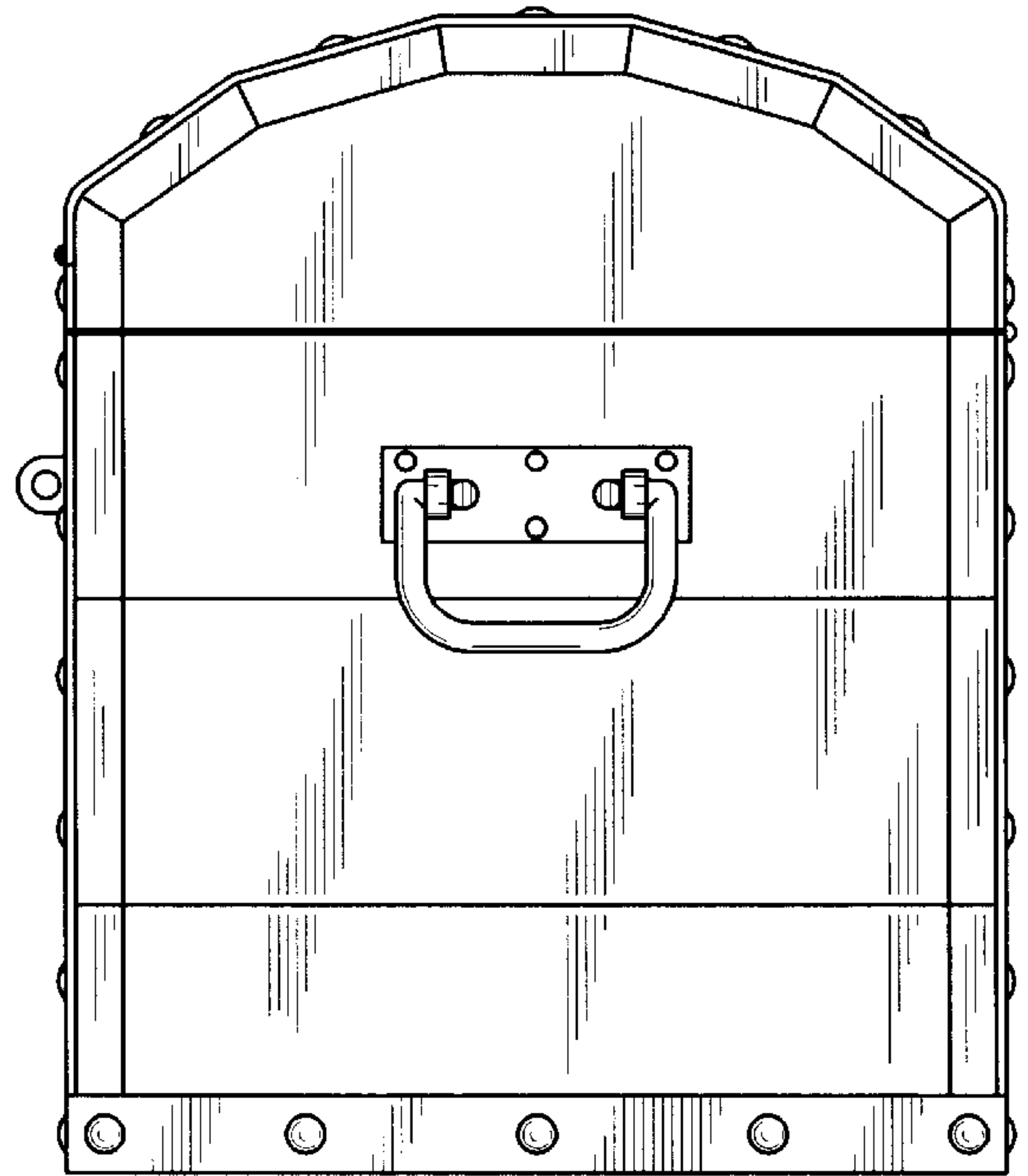


FIG. 5

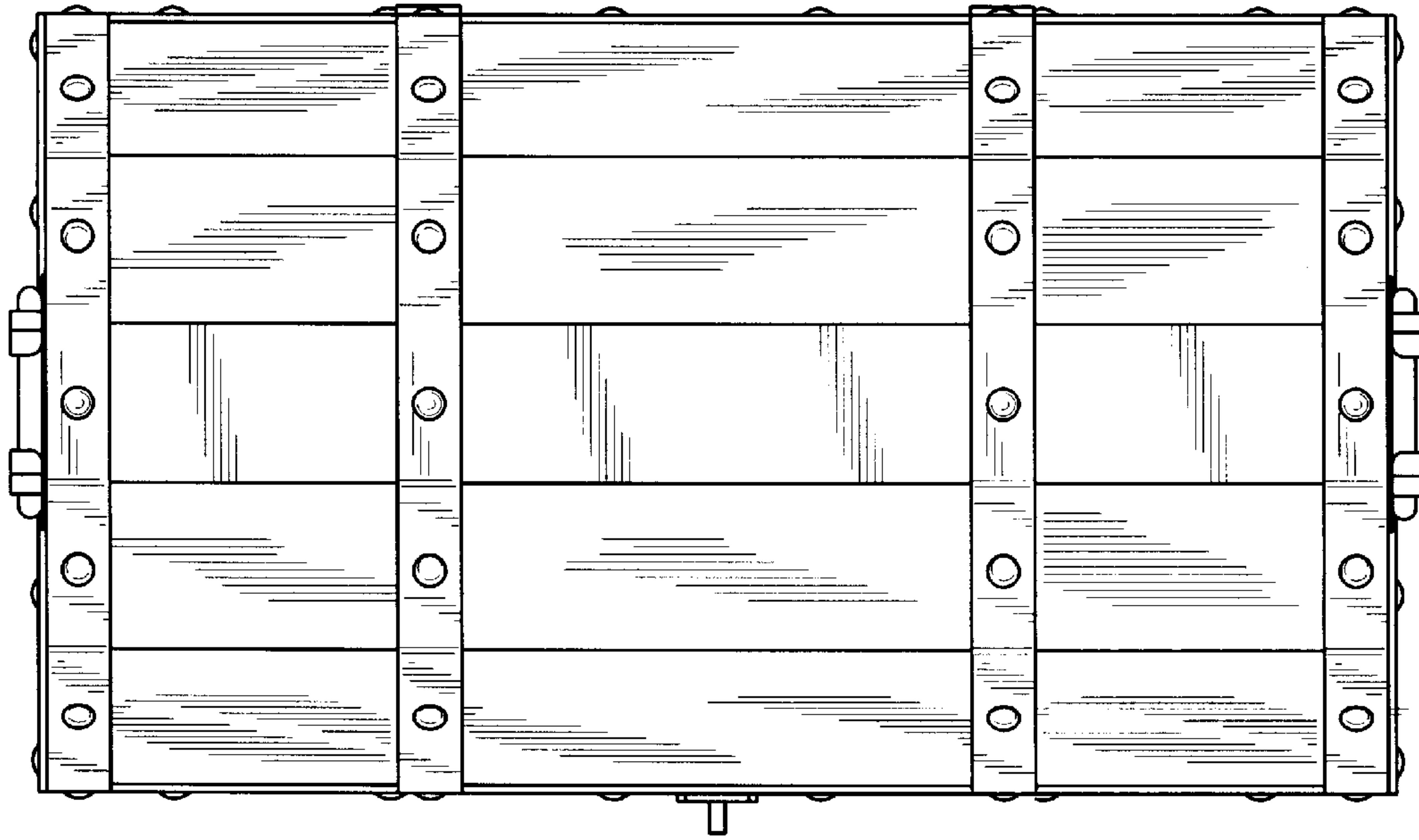


FIG. 6

