



US00D399633S

United States Patent [19] Tsuchida

[11] Patent Number: **Des. 399,633**

[45] Date of Patent: ****Oct. 13, 1998**

[54] **COIN SEGREGATION DEVICE**

[75] Inventor: **Tamotsu Tsuchida**, Iwatuki, Japan

[73] Assignee: **Asahi Seiko Co., Ltd.**, Tokyo, Japan

[**] Term: **14 Years**

[21] Appl. No.: **72,729**

[22] Filed: **Jun. 25, 1997**

[30] **Foreign Application Priority Data**

Jan. 16, 1997 [JP] Japan 9-689

[51] **LOC (6) Cl.** **99-00**

[52] **U.S. Cl.** **D99/34; D20/8**

[58] **Field of Search** D99/34, 28, 43;
D20/1, 4, 9, 8; 194/321, 345, 346, 350,
323, 336; 453/3, 18, 45-48, 50

[56] **References Cited**

U.S. PATENT DOCUMENTS

D. 334,454 3/1993 Ibarrola D99/34

D. 351,421 10/1994 Abe D20/9

2,339,823	1/1944	Vogel	194/332
2,651,399	9/1953	Patzer	194/321
3,601,238	8/1971	Stewart	194/321
4,059,122	11/1977	Kinoshita	D20/4 X
4,172,462	10/1979	Uchida et al.	D20/4 X
4,376,480	3/1983	Abe	.	

Primary Examiner—Paula A. Mortimer
Attorney, Agent, or Firm—Price, Gess & Ubell

[57] **CLAIM**

I claim the ornamental design for a coin segregation device, as shown and described.

DESCRIPTION

FIG. 1 is a front perspective view of the coin segregation device, showing the new design; FIG. 2 is a front elevational view of FIG. 1; FIG. 3 is a rear elevational view of FIG. 1; FIG. 4 is a right side elevational view of FIG. 1; FIG. 5 is a left side elevational view of FIG. 1; FIG. 6 is a top plan view of FIG. 1; and, FIG. 7 is a bottom plan view of FIG. 1 .

1 Claim, 5 Drawing Sheets

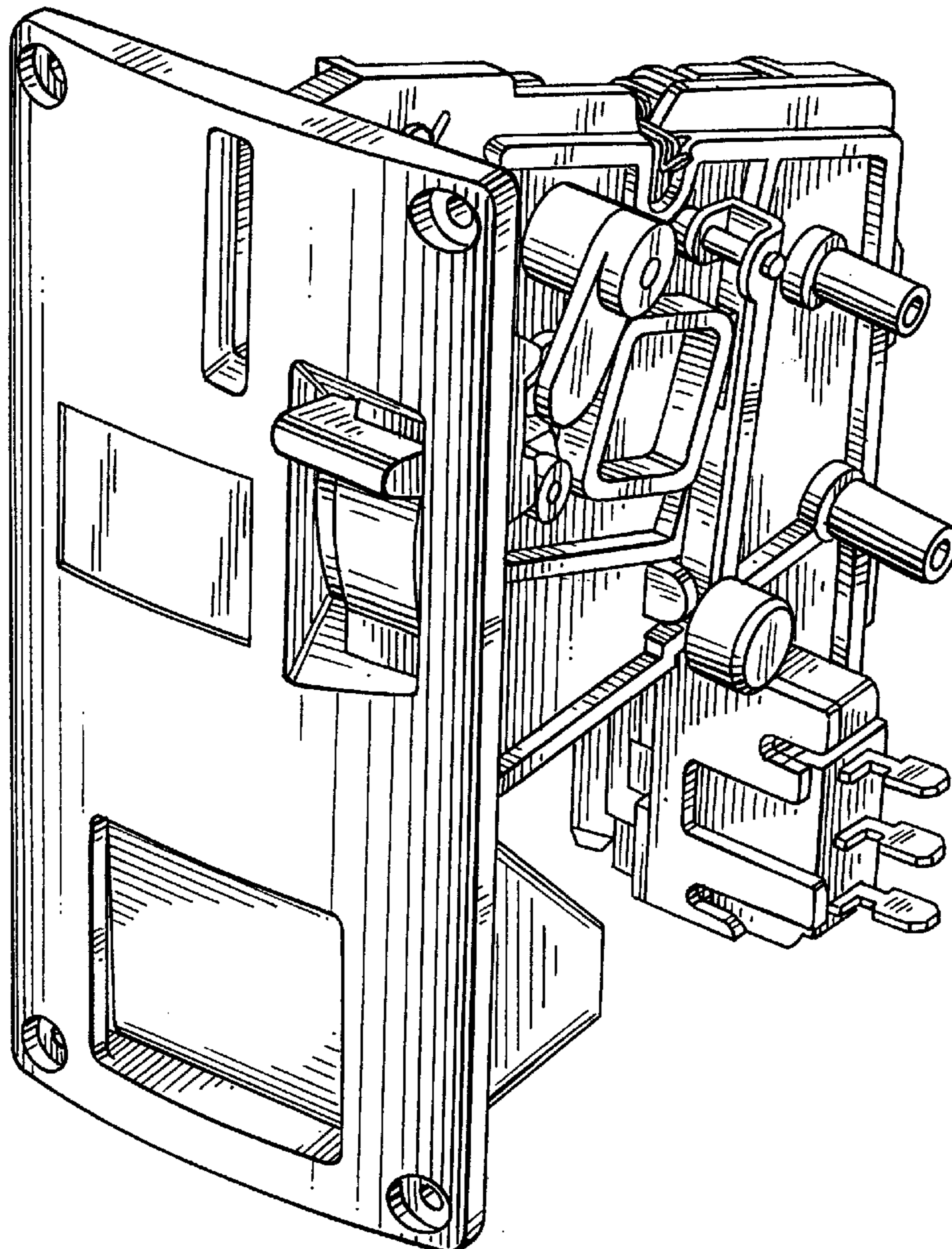


FIG. 1

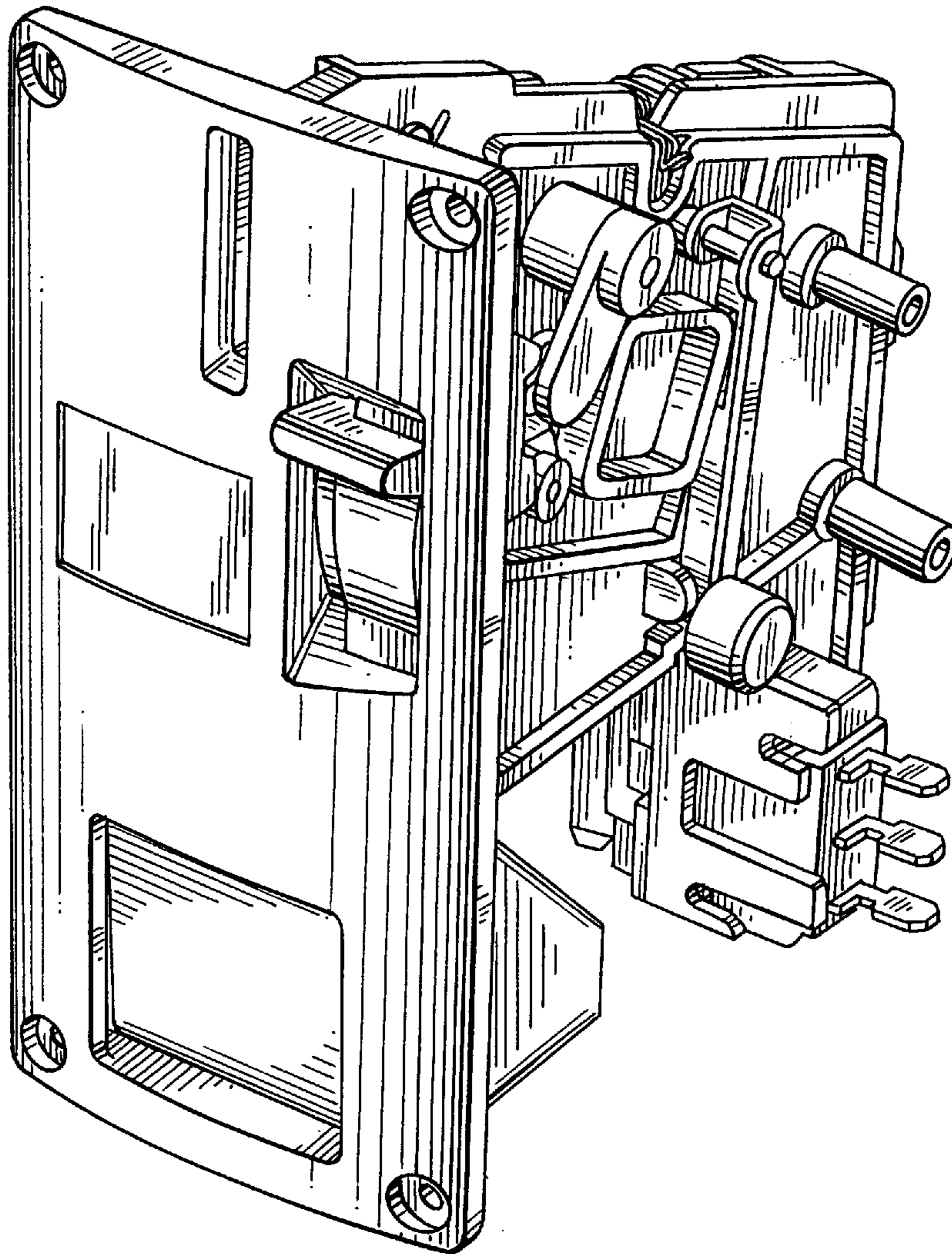


FIG. 2

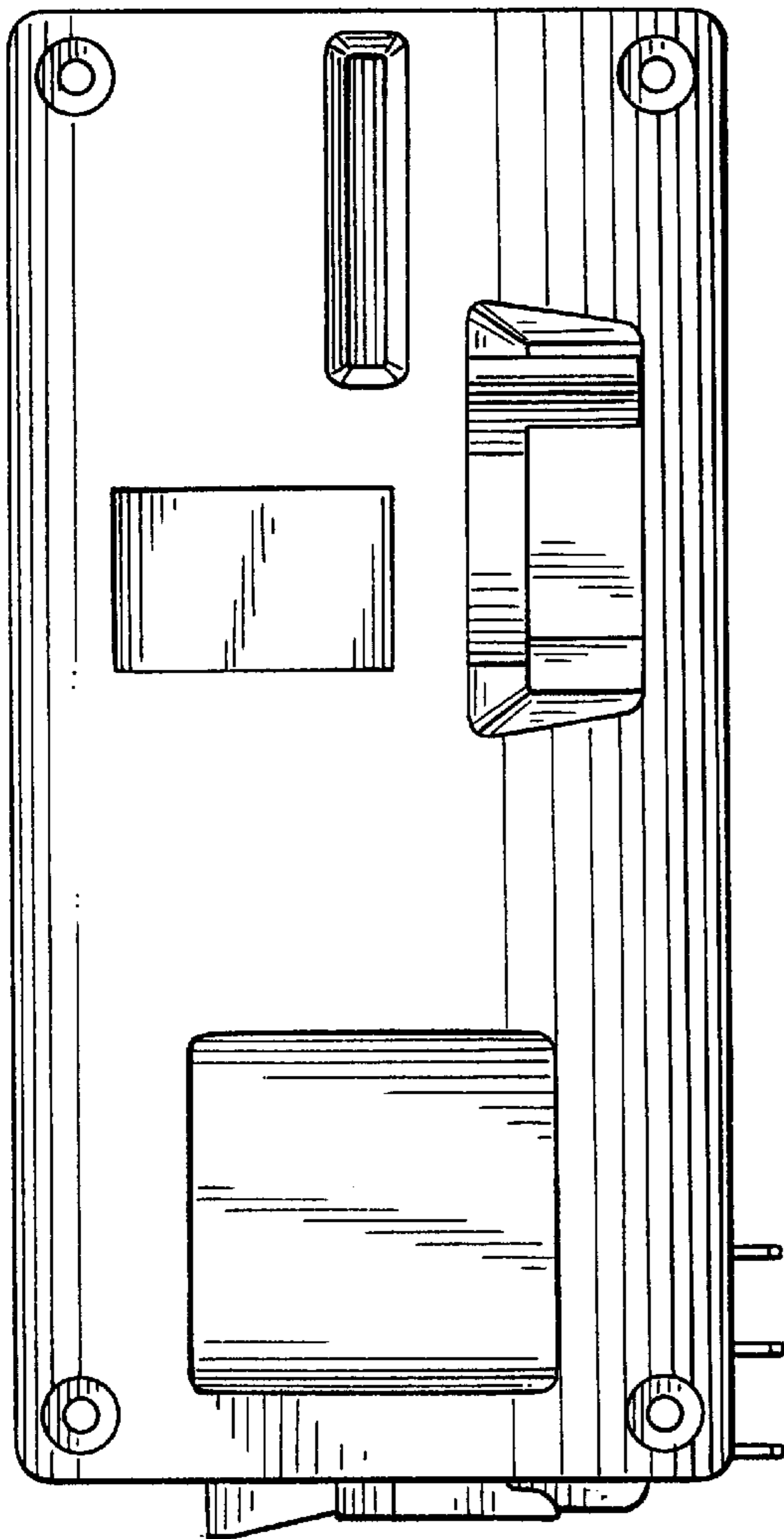


FIG. 3

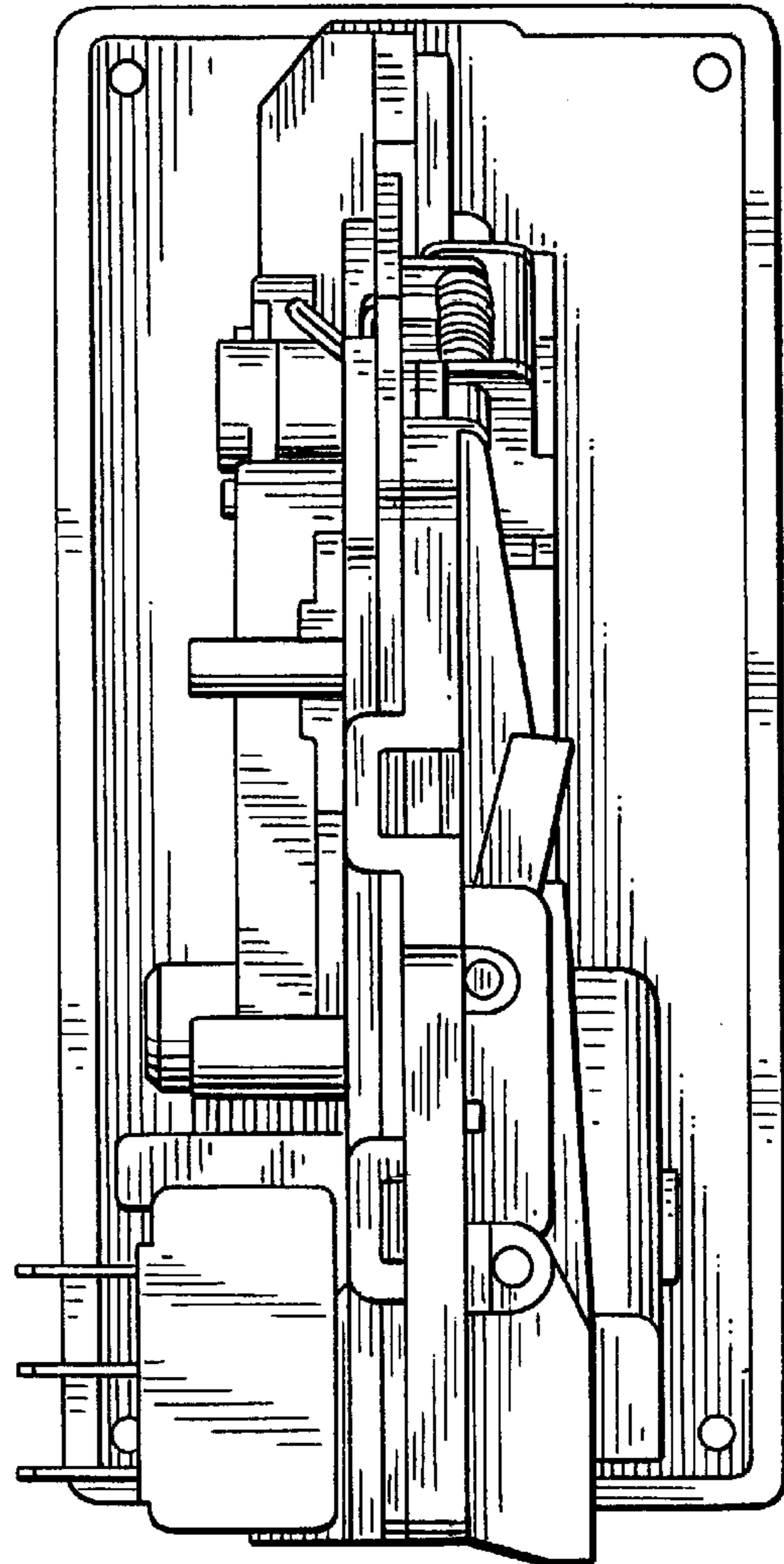


FIG. 4

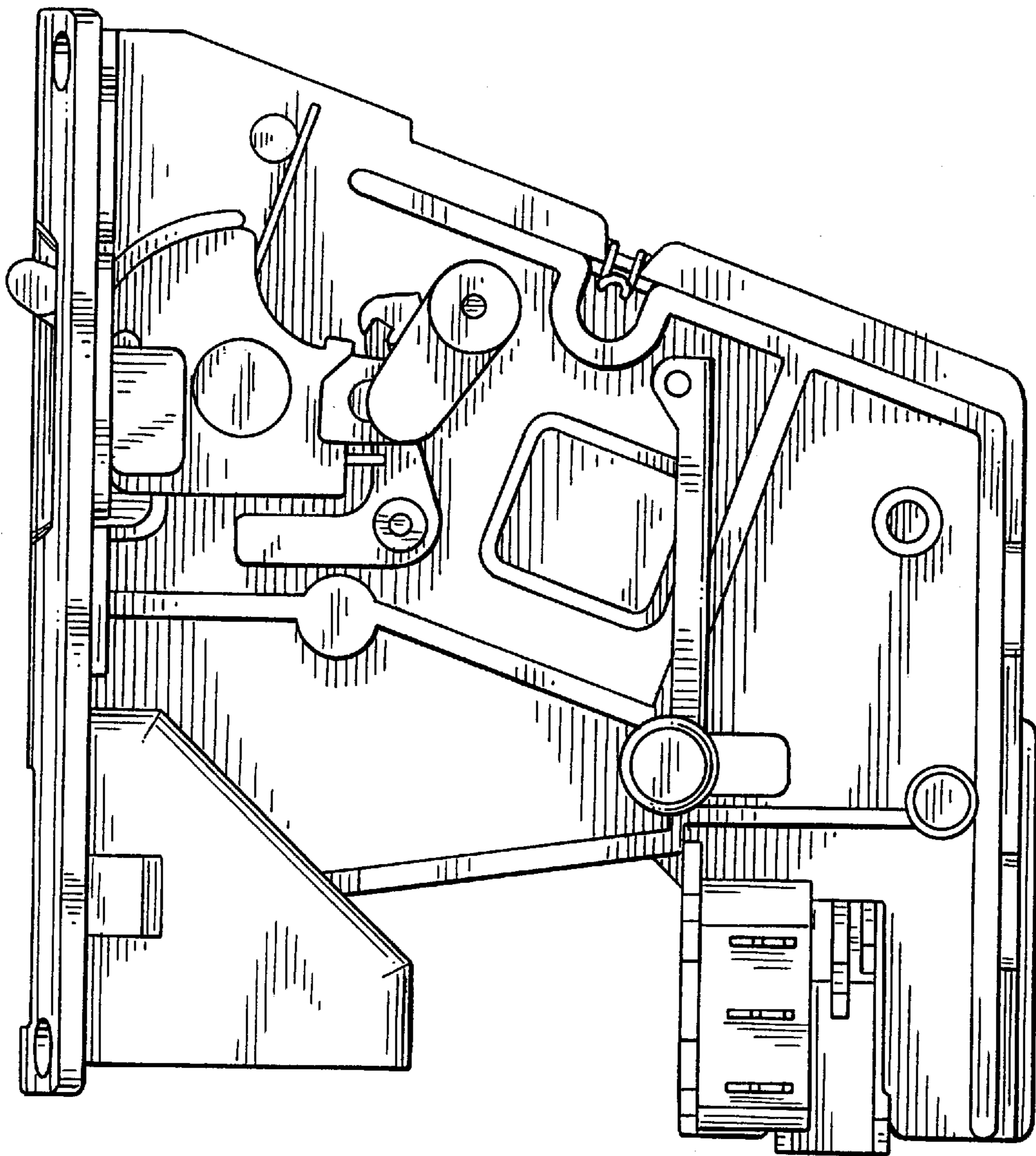


FIG. 5

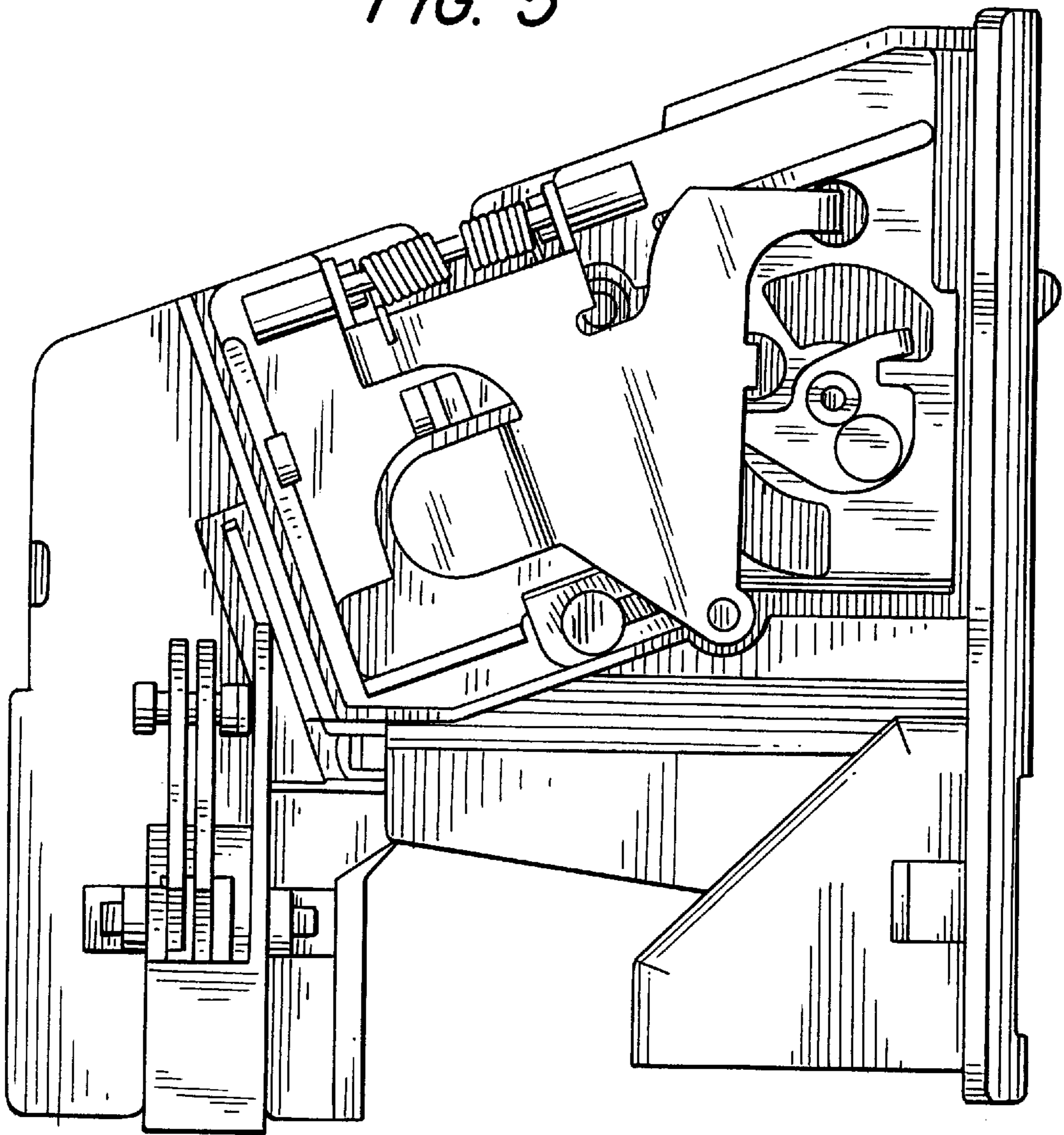


FIG. 6

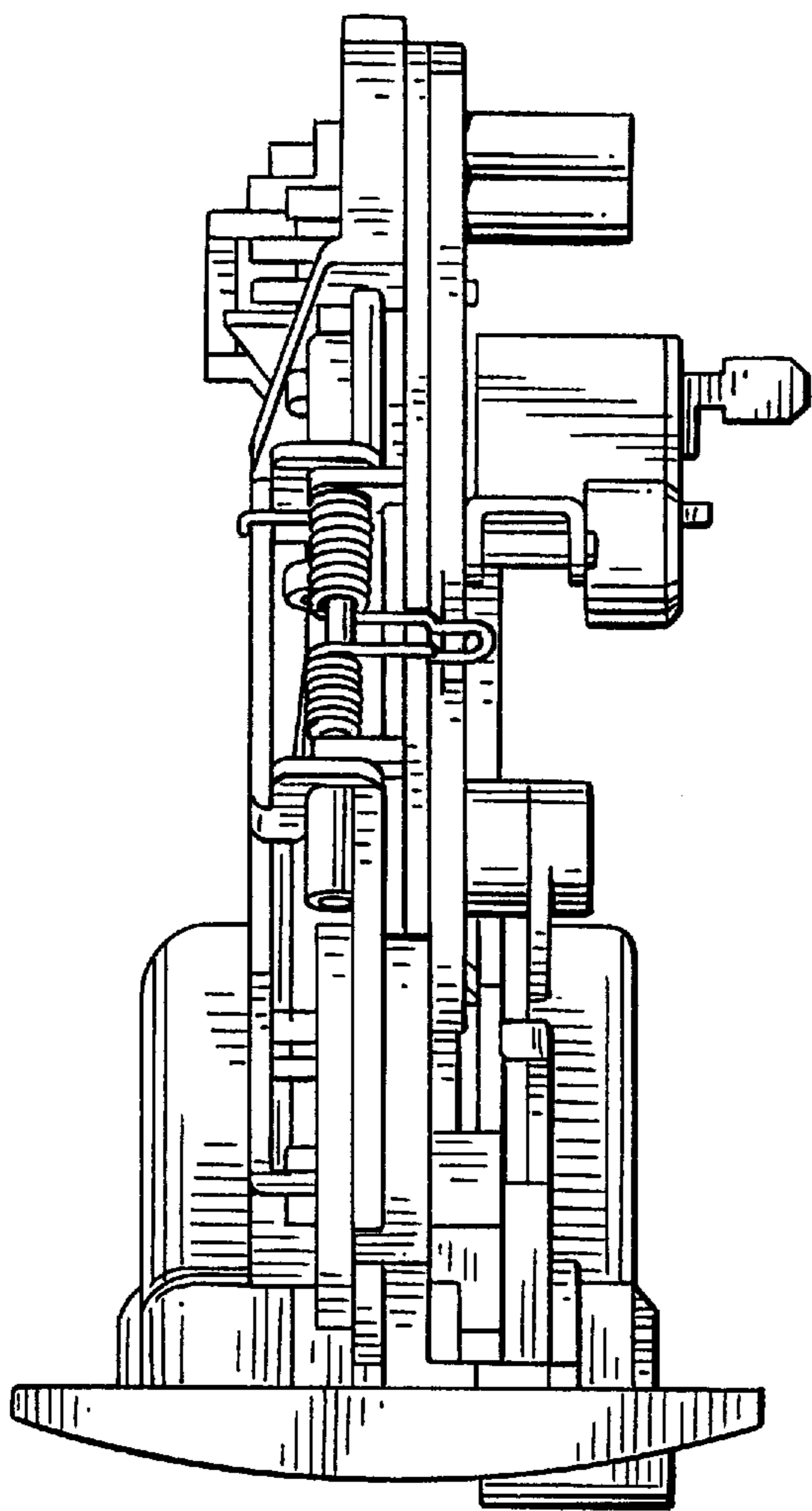


FIG. 7

