



US00D399628S

United States Patent [19] Smith

[11] **Patent Number: Des. 399,628**

[45] **Date of Patent: **Oct. 13, 1998**

[54] **ELEVATING WORK PLATFORM**

[75] Inventor: **Andrew James Smith**, Hastings, New Zealand

[73] Assignee: **A J & J P Smith Limited**, Hastings, New Zealand

[**] Term: **14 Years**

[21] Appl. No.: **74,350**

[22] Filed: **Aug. 1, 1997**

[51] **LOC (6) Cl.** **12-05**

[52] **U.S. Cl.** **D34/28; D34/33**

[58] **Field of Search** D34/28, 33, 34; 187/243, 244, 225; 182/141

[56] **References Cited**

U.S. PATENT DOCUMENTS

- D. 261,127 10/1981 Rallies et al. D34/34
- D. 283,072 3/1986 Qureshi et al. D34/34

- D. 306,369 2/1990 Kishi D34/28
- D. 347,720 6/1994 Tamura et al. D34/28
- 4,754,840 7/1988 MacDonald et al. 182/141
- 4,953,666 9/1990 Ridings 182/141
- 5,129,480 7/1992 Garrett et al. 182/141
- 5,159,989 11/1992 Claxton 182/141

Primary Examiner—Alan P. Douglas
Assistant Examiner—Robin V. Taylor
Attorney, Agent, or Firm—Kenyon & Kenyon

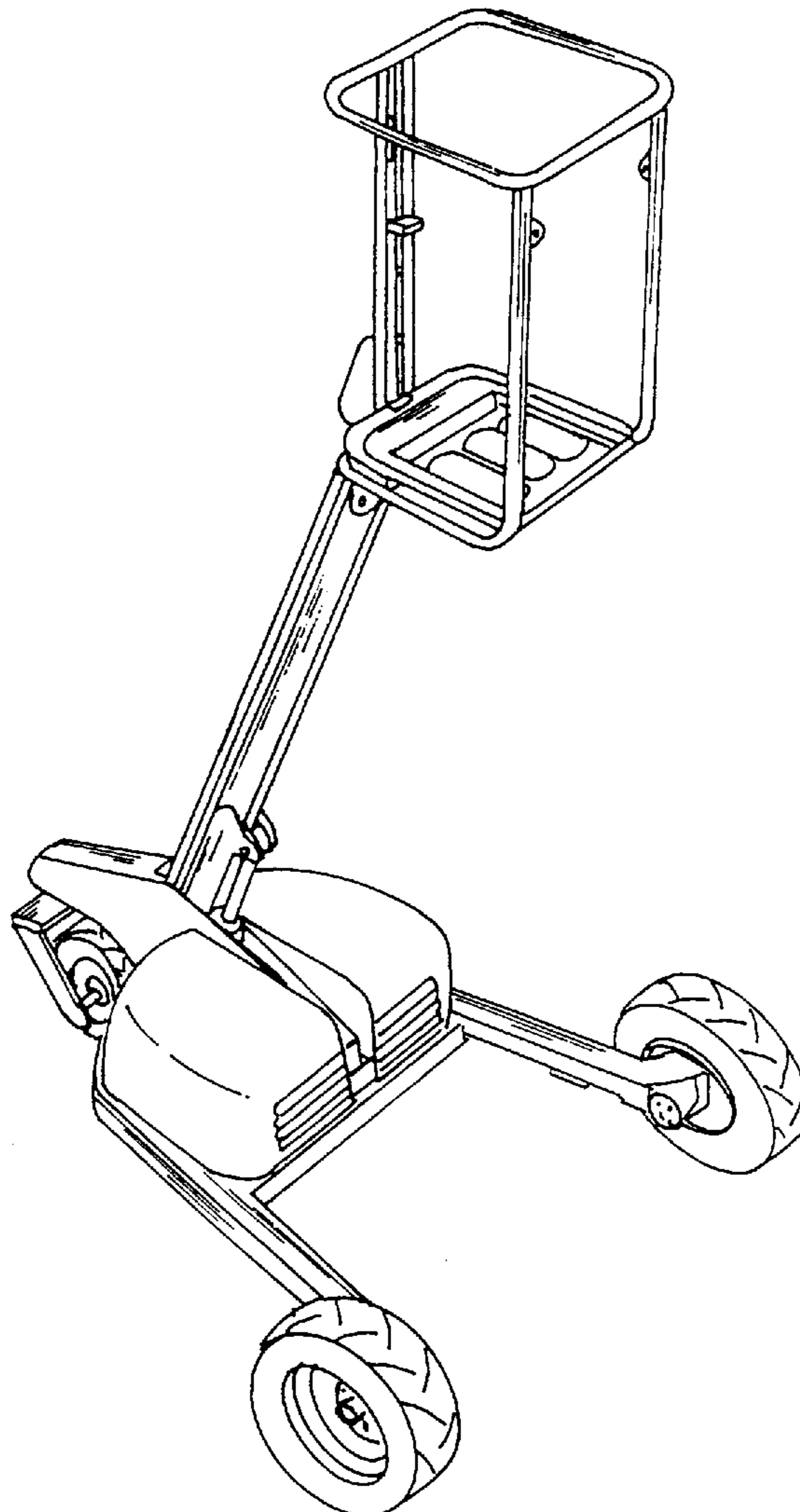
[57] **CLAIM**

The ornamental design for an elevating work platform, as shown and described.

DESCRIPTION

FIG. 1 is a perspective view of an elevating work platform showing my new design;
FIG. 2 is a top view thereof;
FIG. 3 is a right side view thereof with the platform lowered; and,
FIG. 4 is a left side view thereof with the platform raised.

1 Claim, 2 Drawing Sheets



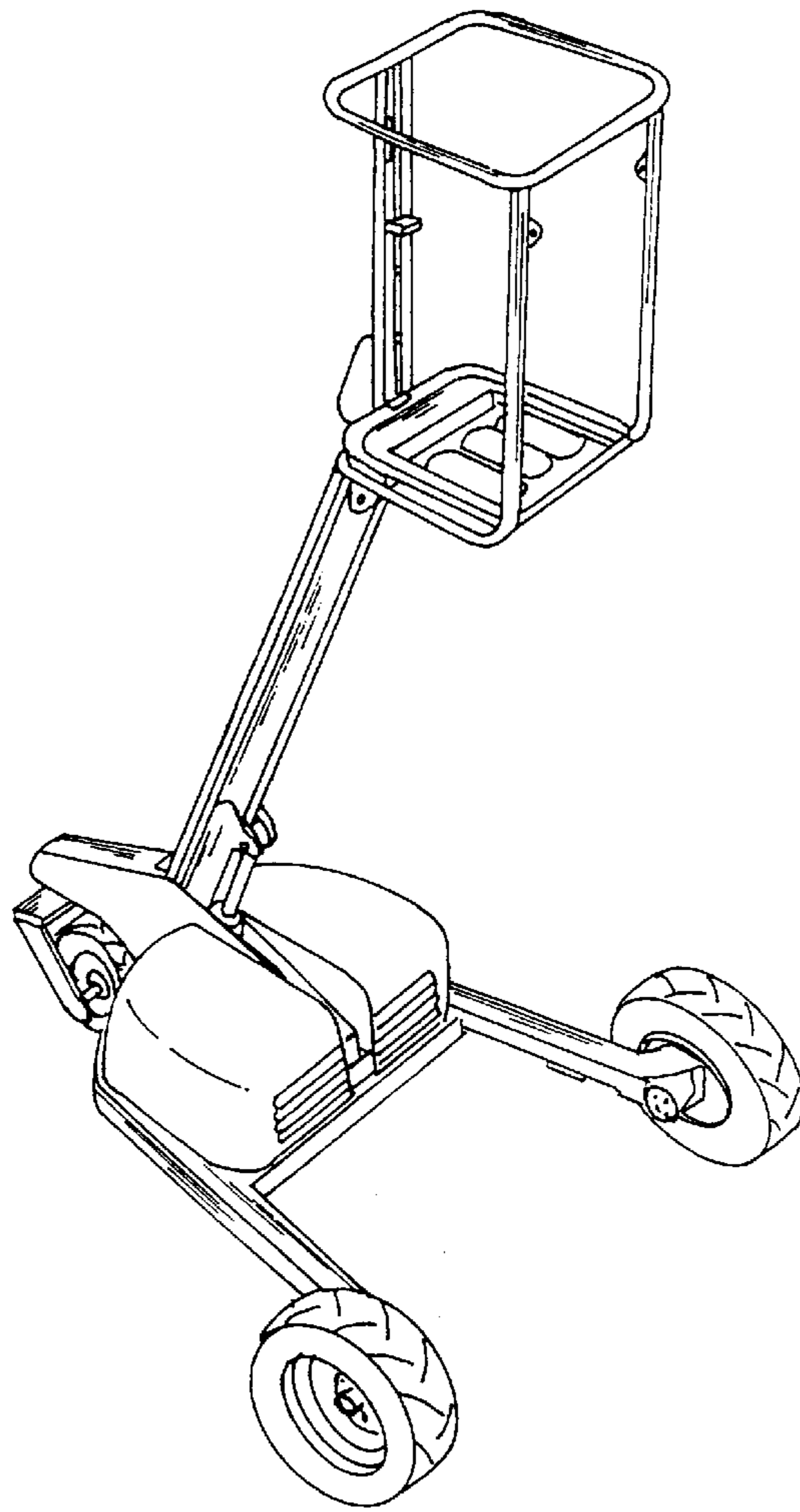


FIGURE 1

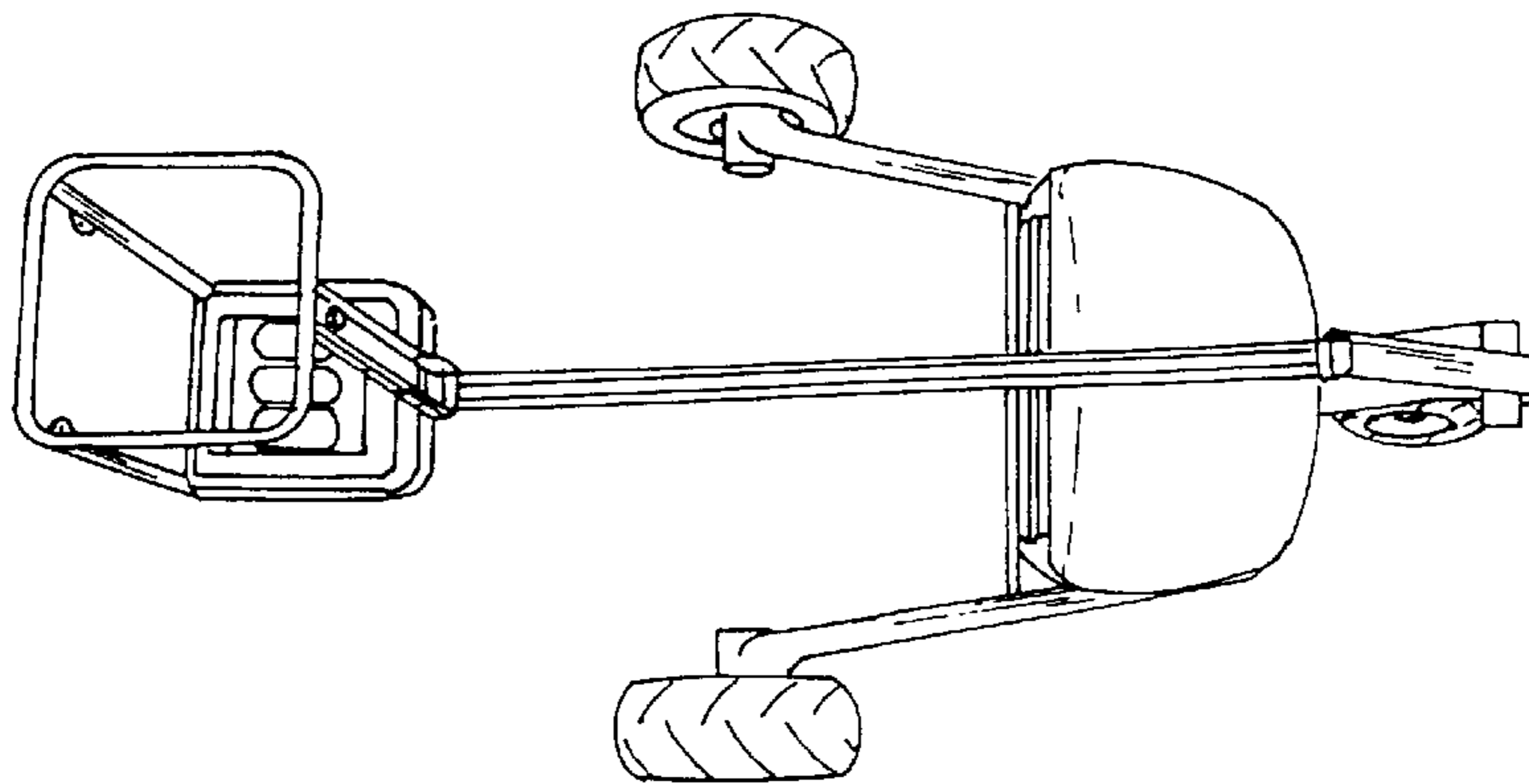


FIGURE 2

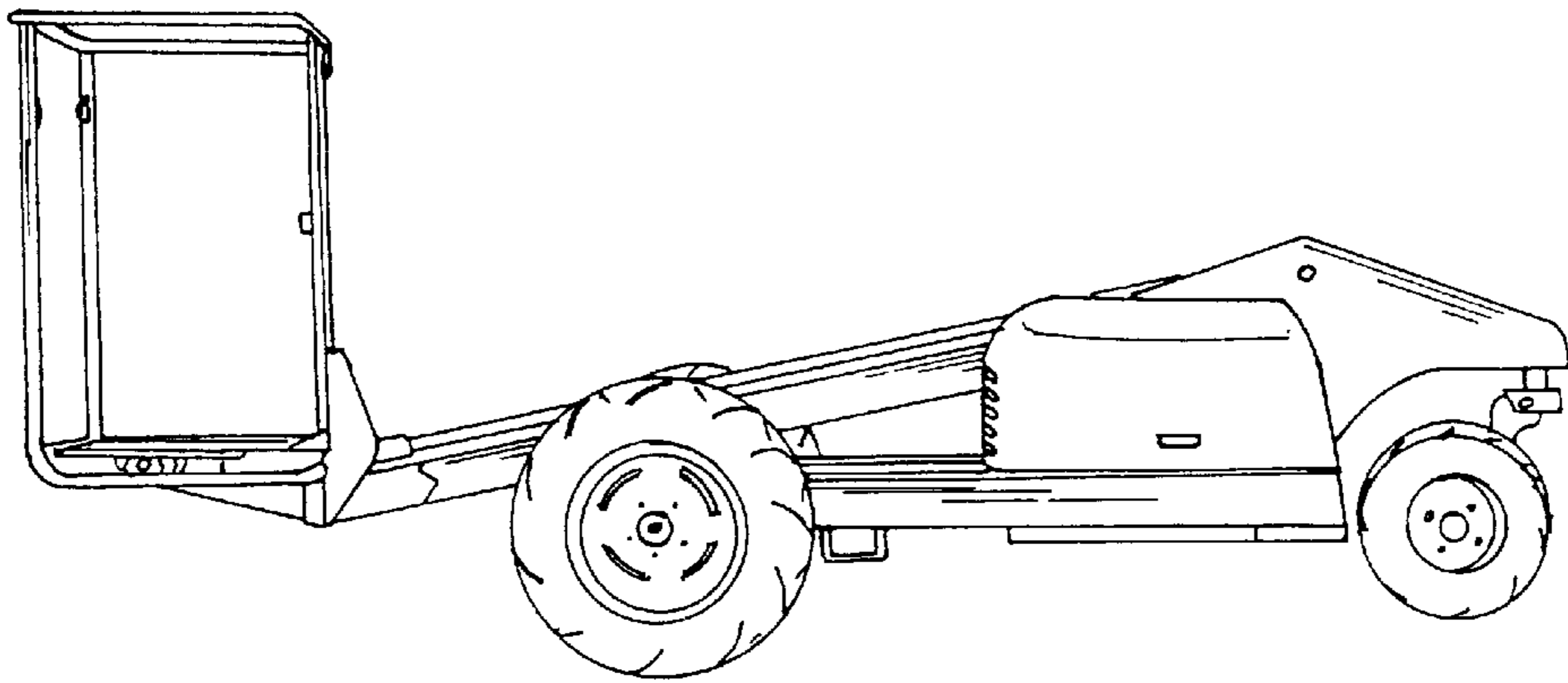


FIGURE 3

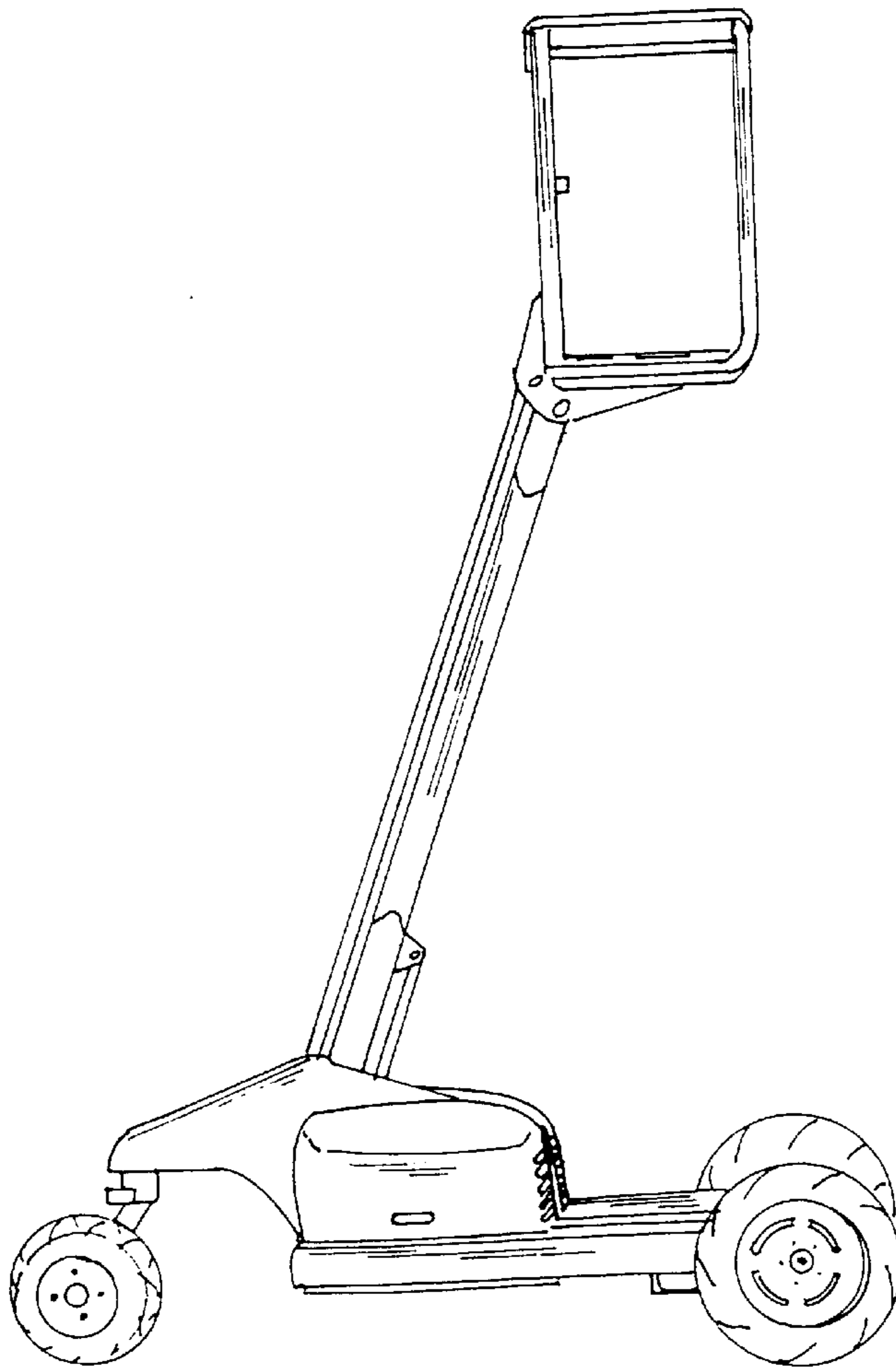


FIGURE 4